

RJS101-19

Metal Push Button



STAMPED LEGENDS



CUSTOM SYMBOLS



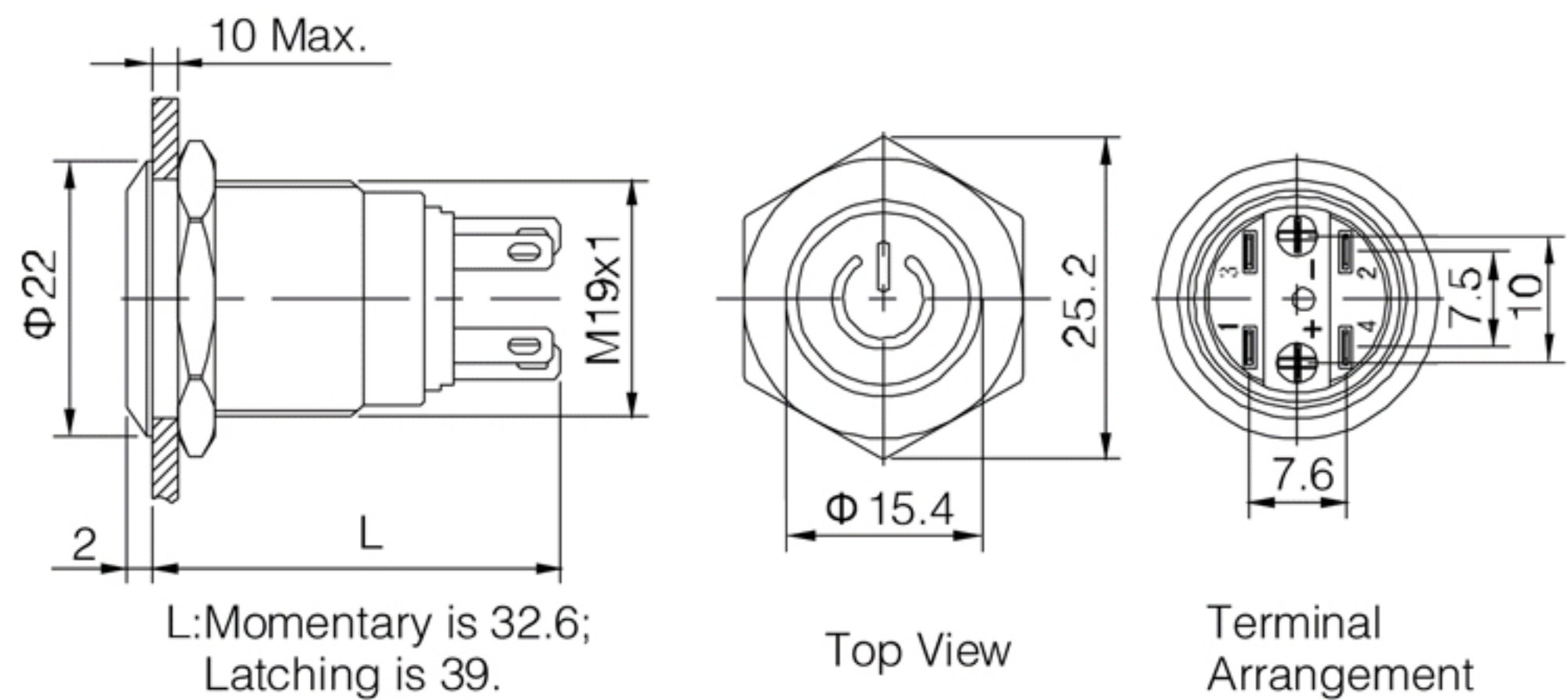
LEDSWITCHES.CO.UK
RJS ELECTRONICS LTD

RJS101-19L■-F-L-△-BS-▲V-65H

CURRENT LEGENDS

01 - Number 1	06 - Number 6	C1 - POWER	D1 - Light Bulb
02 - Number 2	07 - Number 7	C3 - BELL	D2 - Phone
03 - Number 3	08 - Number 8	C4 - * (STAR)	D3 - Arrow
04 - Number 4	09 - Number 9	P5 - 5 (With Pip)	D4 - Roof Light
05 - Number 5	00 - Number 0		D5 - AV

*****NEW - Custom Legends Available, ask for more information*****



Φ 19mm Diameter
Switch Rating: Ith:5A, Ui:250V
Contact Configuration: 1NO1NC
Operation Type: [■] Momentary / [A] Latching
LED Color(△): **R G Y O B W**
LED Voltage(▲): 6V/12V/24V/110V/220V
The Crust Material: Stainless steel
Terminal Type: Pin terminal(2.8X0.5)
IP Degree: IP65(Momentary can be made IP67),IK09

Performance Characteristic

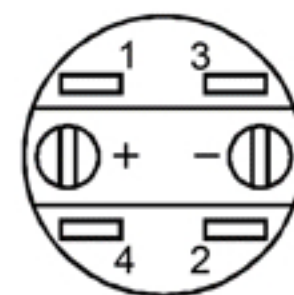
Operating Temp	-25°C~+55°C (Non freezing) Keep the switch air circulating well
Operating Humidity	45~85%RH(Non condensing)
Contact Resistance	≤50mΩ
Insulation Resistance	≥1000MΩ
Max. withstanding voltage	2000V, AC50Hz, 5s
Vibration resistance	50Hz, amplitude about 1.2mm
Shock resistance	> 10g
Solder resistance	320°C (or 30W soldering iron) no more than 2s

Switching Operation

Rated Insulation Voltage Ui		250V			
Thermal Current Ith		5A			
Rated voltage		12V	24V	110V	220V
Rated Operation Current	AC 50/60Hz	Resistive load	—	—	5A 3A
		Inductive load	—	—	3A 2A
	DC	Resistive load	5A	5A	1A 0.5A
		Inductive load	2A	2A	0.2A 0.1A
Contact material		Silver Alloy			

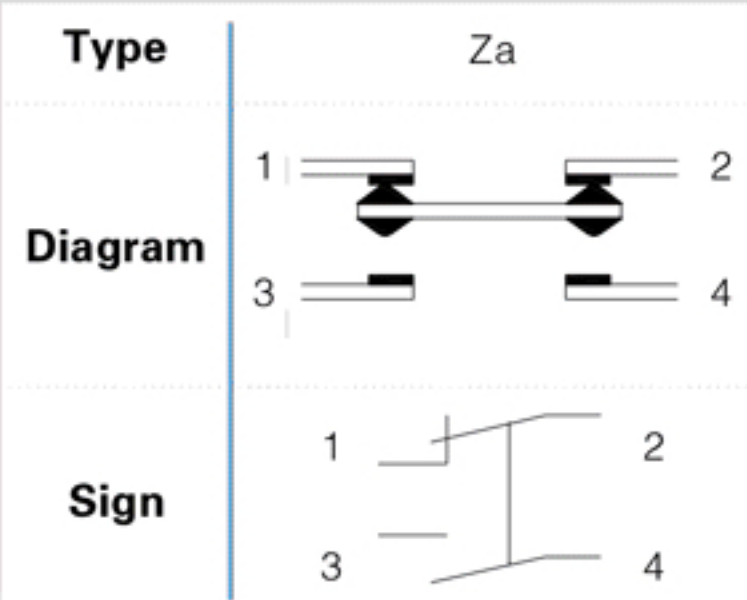
Minimum load: 3V AC/DC,5mA (Reference)
Application scope depends on operating environment and load type

Terminal Description



1, 2 are normal closed(NC)
3, 4 are normal opened(NO)
+, - are lamp terminals, the standard LED terminals have no difference of anode and cathode;
The lamp and switch are relatively independent and can use switch or peripheral circuit to control the lamp state

Switching Operation



Lamp Ratings

Lamp Type	LED lamp(AC/DC)
LED Color	R G Y O B W
Life	40000 hours (Reference)
Rated Voltage	AC/DC6V, AC/DC12V, AC/DC110V, AC/DC24V, AC/DC36V, AC/DC220V
Rated Current	About 15mA; About 2mA
Dropping Way	Inner resistor; Outer resistor to 6V LED
Lamp Circuit Diagram	Using AC/DC LED lamp, the terminals have no difference of anode and cathode: Using inner resistor, do not need connect outer resistor.



Note: DC LED and other voltage can be made to order.

RJS101-19L■-F-L-△-BS-▲V-65H		Material	Button	Stainless steel
			Body	Stainless steel
			Base	PA/PC
Switching	Za(double-break fast-motion changeover contact)	Operation Pressure	About 4N	
Panel Thickness	1 ~ 10mm	Operation Travel	About 2.5mm	
Mechanical Life	1,000,000 cycles			
Electrical Life	50,000 cycles			
Torque	0.8Nm			
		RoHS	Made to order	