

Star PP flue

TWINLINE

SINGLE PP FLUE SYSTEM



**Twinline Robust PP-flue system for
condensing boilers**

**POWER OF
ENGINEERING**

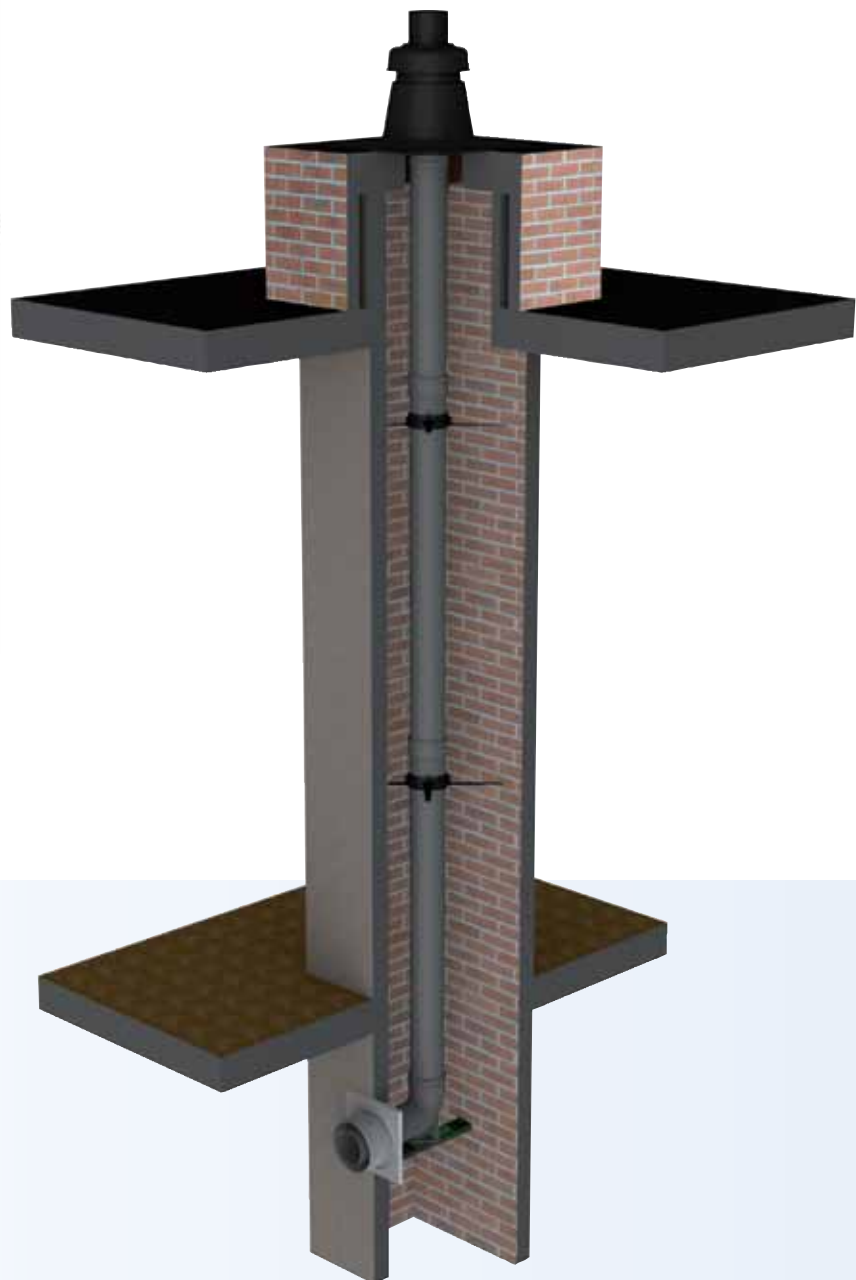


The most versatile PP-flue system for high efficiency boilers.....	4
Benefit from the advantage of PP material for high efficiency boilers	5
Brackets	6
Solutions for Roof Termination.....	7
Accessoires	7
Solutions for Roof Termination.....	8
Solutions for shaft installations.....	8
Solutions for Wall termination	9
Accessories	9
PP-Flue material Ø 60, Ø 80, Ø 100, Ø 130, Ø 150 and Ø 200 mm	
PP flue extension	10
PP flue elbows.....	10
PP flue support elbow	11
PP flue support elbow increaser.....	11
PP flue support elbow extended.....	11
Support bracket	11
PP Tee.....	11
PP Tee with cover	11
PP Tee with sampling point.....	12
PP Tee with condensate drain	12
PP Condensate drain.....	12
PP flue increasing adaptor	12
PP flue reducing adaptor.....	12
PP expansion piece	13
PP cap.....	13
Spacer	13
Wall bracket PP	13
Wall bracket AL.....	13
Chimney connection	14
Air intake baskets (parallel and concentric).....	14
Air supply grid	14
Siphon.....	14
Siphon connection set	14
Air cover.....	14

Twinline

The most versatile PP-flue system for high efficiency boilers

The robust, even grey Twinline system, is easily applicable for set-up of condensing appliances. In this way you can always benefit from the advantages of PP material. The modular system consists of a limited number of components, to build a reliable PP flue system in no-time.



Benefit from the advantage of PP material for high efficiency boilers

- **Fast:** PP pipes are lightweight, simply made-to-fit and easy to install.
- **Safe:** no sharp metal edges that could damage or hurt you.
- **Clean:** no corrosion of aluminium, so less pollution in the high efficiency boiler.
- **Sustainable:** the high-grade Twinline material is condensate-resistant and tested for long-life. With CE and ULC approval.

Unique benefits

First consult boiler manufacturer specifications for the correct diameters and lengths.

Optiflow-quality, best flue discharge

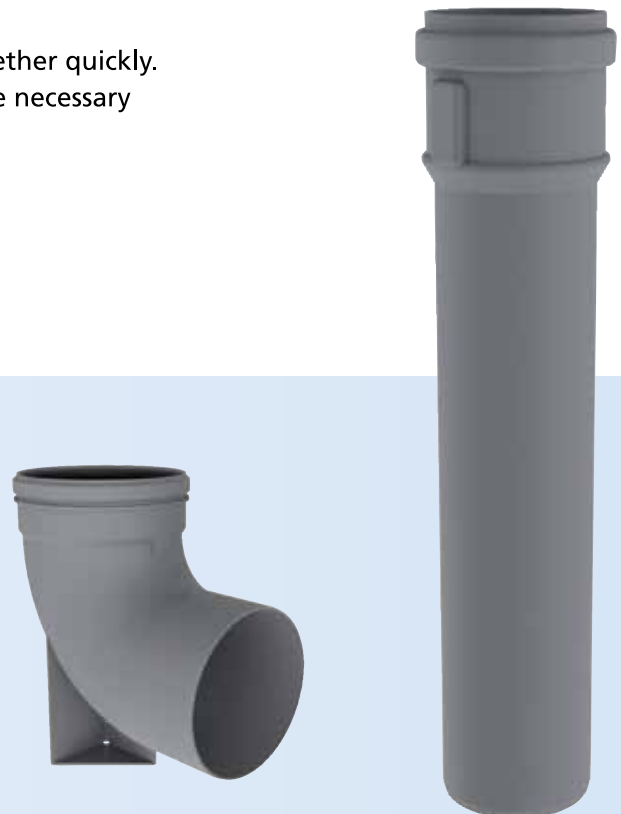
Twinline is a modular system of high-quality injection moulding parts. This leaves the inner wall completely smooth and the flue discharge will be optimal, because it is unhampered by edges from the welding. The fact that the parts are not welded is also a guarantee for their perfect dimensional stability.

Smart elbows, extra sustainable

Twinline elbows do not only have a perfectly smooth inner wall, but they have been constructed in such a way that condensate cannot remain behind. All elbows are fitted with a clever discharge flume. Influence of condensate is thus prevented, which is favourable for the sustainability.

Easy kit, quick and easy to install

A robust even grey Twinline flue system can be put together quickly. The practical basic and extension kits make ordering the necessary kit unbelievably easy.



Brackets

PP Brackets for correct supporting



- 1 'Click' around the socket
- 2 'Click' around the fluepipe

Available in 60, 80 and 100 mm



We supply practical flue kits. All parts can also be delivered separately. Consult the information of the boiler manufacturer for the right diameters and lengths.

Skyline Terminals available in Black and Terracotta

Roof Terminal Skyline PP 60/60 AR 300
Roof Terminal Skyline PP 60/60 AR 460

Roof Terminal Skyline PP 80/80 AR 300
Roof Terminal Skyline PP 80/80 AR 580

Roof Terminal Skyline PP 100/100 AR 580



Wheaterslate steep lead 20-50°

Wheaterslate steep non lead 20-50°

Wheater slate steep AL 0-20°

Wheater slate Flat roof AL



Accessories

PP Cover plate Dn 100-125

Galva cover plate

PP Adaptor 60-60, 60/100



Solutions for Roof Termination

Solutions for only flue exhaust

Roof Terminal PP 130
Roof Terminal PP 150
Roof Terminal PP 200



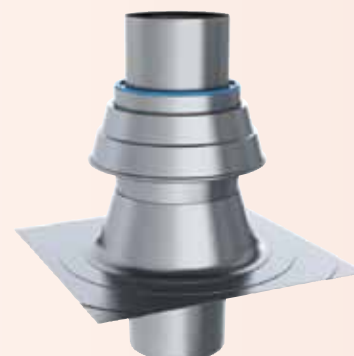
Solutions for shaft installations

Chimney top with Air intake incl. flue pipe

Chimney top PP 60
Chimney top PP 80
Chimney top PP 100
Chimney top PP 130



Chimney top Alu 150
Chimney top Alu 200



Wall Terminals Mugro

Wall Terminals Mugro 60/60
Wall Terminals Mugro 80/80
Wall Terminals Mugro 100/100



Accessories

Wall Plates DN 100 125 150



Wall Seals DN 100 125



PP flue extension

Ø 60 mm, length 250 mm	Ø 130 mm, length 250 mm
Ø 60 mm, length 500 mm	Ø 130 mm, length 500 mm
Ø 60 mm, length 1000 mm	Ø 130 mm, length 1000 mm
Ø 60 mm, length 2000 mm	Ø 130 mm, length 2000 mm
Ø 80 mm, length 250 mm	Ø 150 mm, length 250 mm
Ø 80 mm, length 500 mm	Ø 150 mm, length 500 mm
Ø 80 mm, length 1000 mm	Ø 150 mm, length 1000 mm
Ø 80 mm, length 2000 mm	Ø 150 mm, length 2000 mm
Ø 100 mm, length 250 mm	Ø 200 mm, length 1000 mm
Ø 100 mm, length 500 mm	Ø 200 mm, length 2000 mm
Ø 100 mm, length 1000 mm	
Ø 100 mm, length 2000 mm	



PP flue elbow

Ø 60 mm, 90°
Ø 80 mm, 90°
Ø 100 mm, 90°
Ø 130 mm, 90°
Ø 150 mm, 90°
Ø 200 mm, 90°



PP flue elbow

Ø 60 mm, 45°
Ø 80 mm, 45°
Ø 100 mm, 45°
Ø 130 mm, 45°
Ø 150 mm, 45°
Ø 200 mm, 45°



PP flue elbow

Ø 60 mm, 30°
Ø 80 mm, 30°
Ø 100 mm, 30°
Ø 130 mm, 30°
Ø 150 mm, 30°



PP flue elbow

Ø 60 mm, 15°
Ø 80 mm, 15°
Ø 100 mm, 15°



PP support elbow

- Ø 60 mm
- Ø 80 mm
- Ø 100 mm
- Ø 130 mm
- Ø 150 mm
- Ø 200 mm



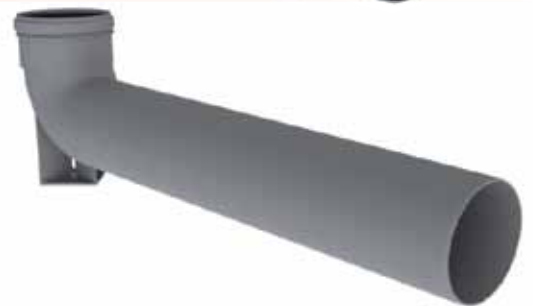
PP support elbow increaser

- Ø 60 -80 mm

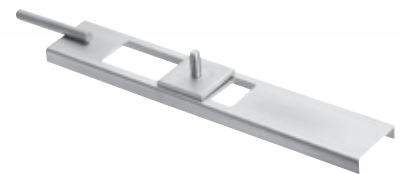


PP support elbow extended

- Ø 60 mm
- Ø 80 mm
- Ø 100 mm
- Ø 130 mm
- Ø 150 mm
- Ø 200 mm



Support bracket



PP Tee

- Ø 60 mm
- Ø 80 mm
- Ø 100 mm
- Ø 130 mm
- Ø 150 mm
- Ø 200 mm



PP Tee with cover

- Ø 60 mm
- Ø 80 mm
- Ø 100 mm
- Ø 130 mm
- Ø 150 mm
- Ø 200 mm



PP Tee with sampling point

- Ø 60 mm
- Ø 80 mm
- Ø 100 mm
- Ø 130 mm
- Ø 150 mm
- Ø 200 mm



PP Tee with condensate drain

- Ø 60 mm
- Ø 80 mm
- Ø 100 mm
- Ø 130 mm
- Ø 150 mm
- Ø 200 mm



PP Condensate drain

- Ø 60 mm
- Ø 80 mm
- Ø 100 mm
- Ø 130 mm
- Ø 150 mm
- Ø 200 mm cap



PP flue increasing adapter

- Ø 60-80 mm
- Ø 80-100 mm
- Ø 100-130 mm
- Ø 130-150 mm
- Ø 150-200 mm



PP flue reducing adapter

- Ø 80-60 mm
- Ø 100-80 mm
- Ø 130-100 mm
- Ø 150-130mm
- Ø 200-150 mm



PP expansion piece

- Ø 60 mm (telescope)
- Ø 80 mm (telescope)
- Ø 100 mm (telescope)
- Ø 130 mm (telescope)
- Ø 150 mm (telescope)



PP cap

- Ø 60 mm
- Ø 80 mm
- Ø 100 mm
- Ø 130 mm
- Ø 150 mm
- Ø 200 mm



Spacer

- Ø 60 mm (2 pieces) PP
- Ø 80 mm (2 pieces) PP
- Ø 100 mm (2 pieces) PP

- Ø 130 mm (2 pieces) Stainless
- Ø 150 mm (2 pieces) Stainless
- Ø 200 mm (2 pieces) Stainless



Wall bracket PP

- Ø 60 mm PP
- Ø 80 mm PP
- Ø 100 mm PP



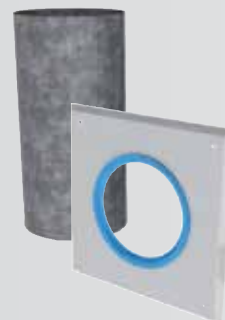
Wall bracket AL

- Ø 130 mm
- Ø 150 mm
- Ø 200 mm



Chimney connection

Ø 60 mm
Ø 80 mm
Ø 100 mm
Ø 130 mm
Ø 150 mm
Ø 200 mm



Air intake baskets (parallel and concentric)

Air Intake Basket Ø 80 mm
Air Intake Basket Ø 80/125 mm
Air Intake Basket Ø 100 mm
Air Intake Basket Ø 100/150 mm



Air supply grid

Air supply grid (bore is 175 cm²)



Siphon

PP 150 mm



Siphon connection set

PP

Air cover

To convert a concentric terminal into single flue terminal

60/100
80/125
100/150



M&G Nederland B.V.

Duinkerkenstraat 27
9723 BP Groningen
The Netherlands

T: +31 (0) 50 313 99 44
F: +31 (0) 50 318 54 23
E: info-nl@mg-flues.com

M&G Deutschland GmbH

Rurstrasse 15a
41564 Kaarst
Germany

T: +49 (0) 2131 512900
F: +49 (0) 2131 5129029
E: info-de@mg-flues.com

M&G Flues UK Ltd

2 The Oaks
Mill Farm Courtyard
Beachampton
MK19 6DS
United Kingdom

T: +44 (0) 1908 569887
F: +44 (0) 1908 571206
E: info-uk@mg-flues.com

M&G Italia SPA

Via Campagnola 6
36040 Orgiano (VI)
Italy

T: +39 0444 874808
F: +39 0444 874314
E: info-it@mg-flues.com

www.mg-flues.com



**POWER OF
ENGINEERING**