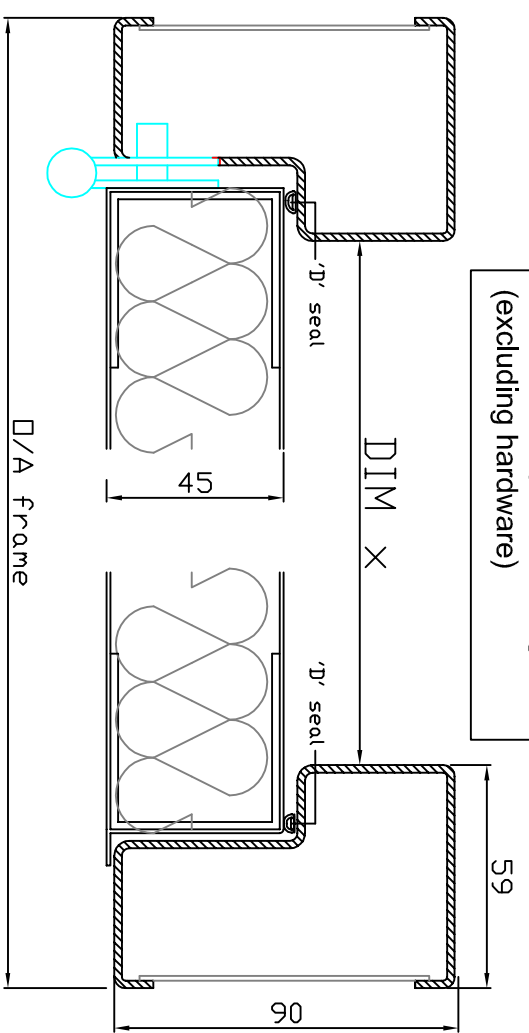
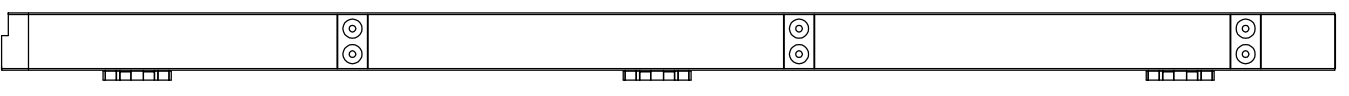
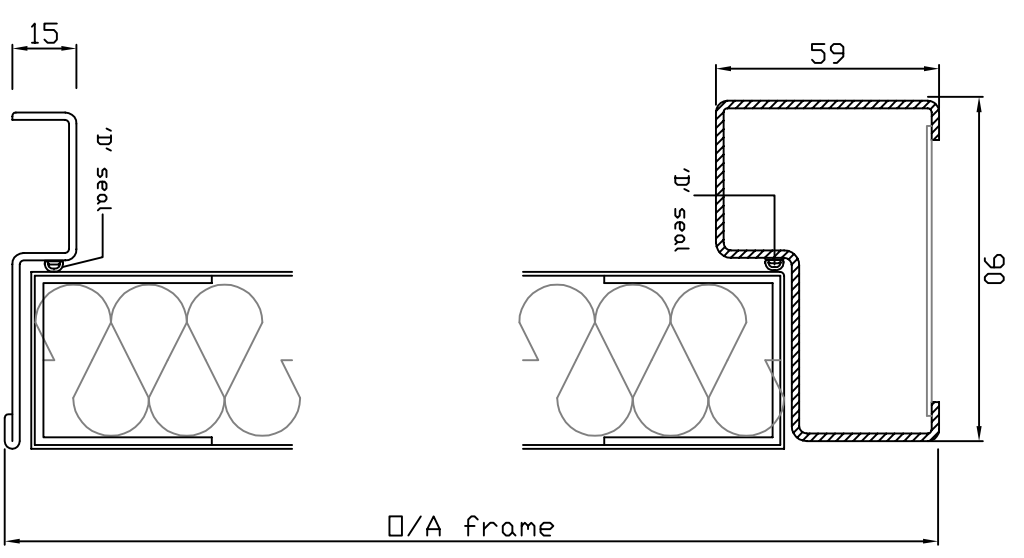


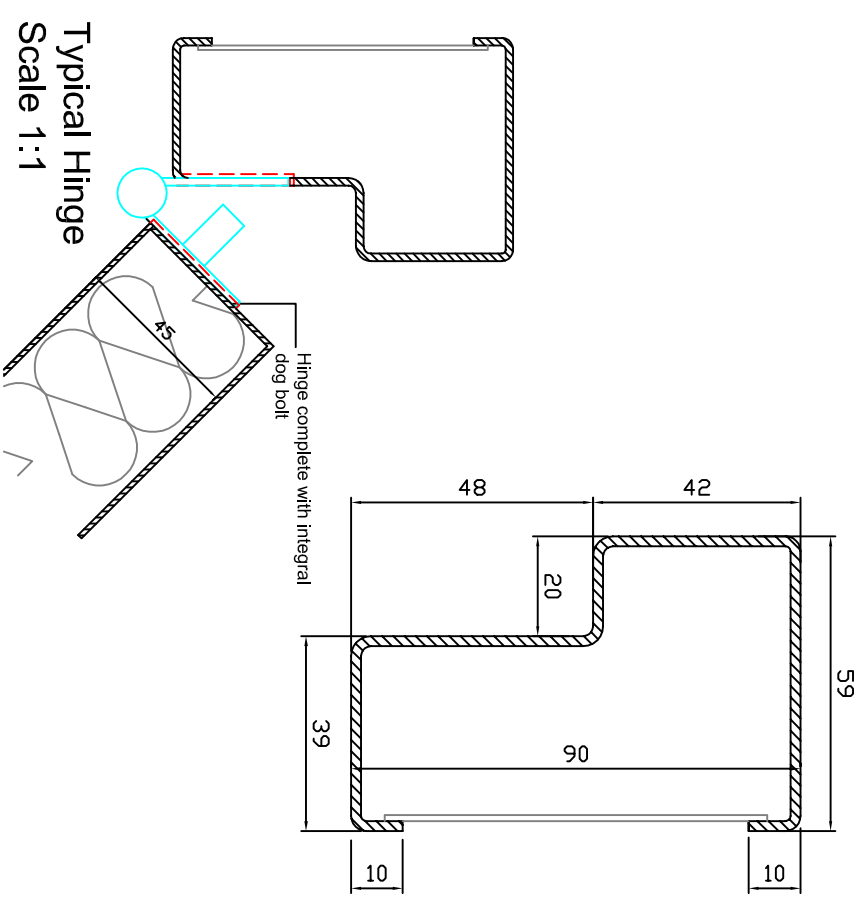
Door Elevation



Dim X = Clear Opening
 subtract 18mm from O/A frame
 when leaf is open to 180 deg.
 subtract 152mm from O/A frame
 when leaf is open to 90 deg.
 (excluding hardware)



Vertical Section B-B



Typical Hinge Scale 1:1

BRITANNIA
METADOR
 STEEL DOORS

Title **300 SERIES STANDARD DRAWING**
CAD DETAILS - SINGLE LEAF

Scale NTS Size A3
 Date MARCH 2012
 DRAWING NO. **Standard - 300 SERIES**

Revision