

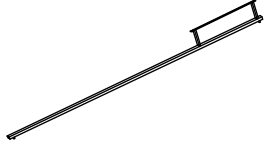
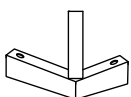
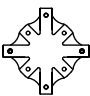
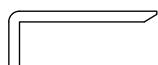

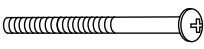
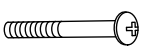
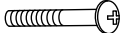

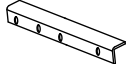

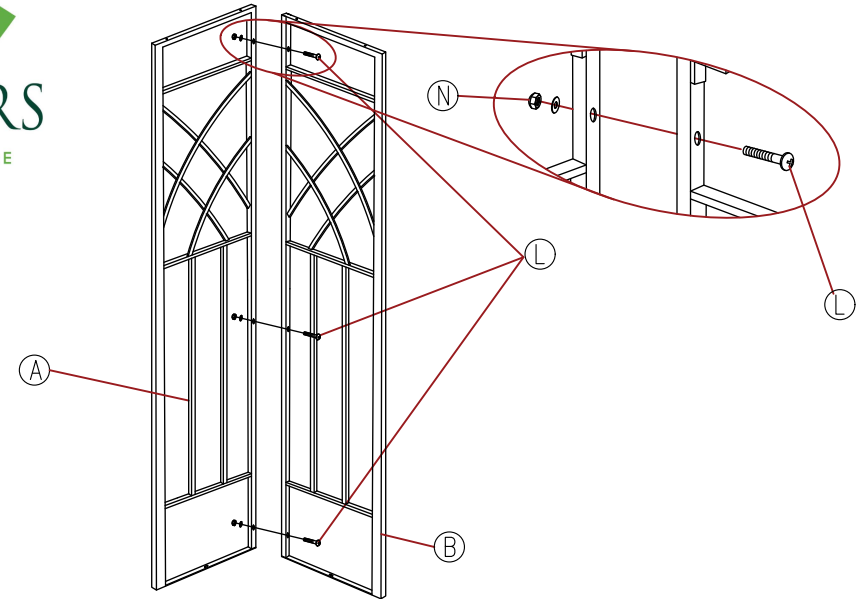
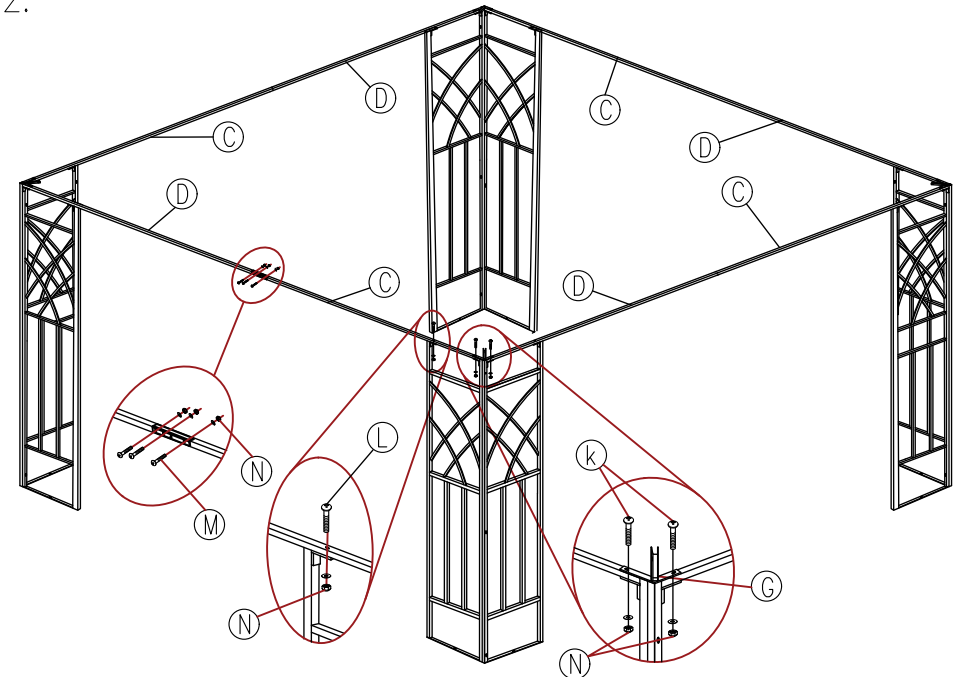

(A) 4 PCS	(B) 4 PCS	(C) 4 PCS
		
(D) 4 PCS	(E) 4 PCS	(F) 4 PCS
		
(G) 4 PCS	(H) 1 PC	(I) 12 PCS
		
(J) 1 PC	(K) 8 PCS M6x40	(L) 24 PCS M6*35
		
(M) 20 PCS M6x30	(N) 52 PCS M6	(O) 4 PCS
		
(P) 1 PCS		



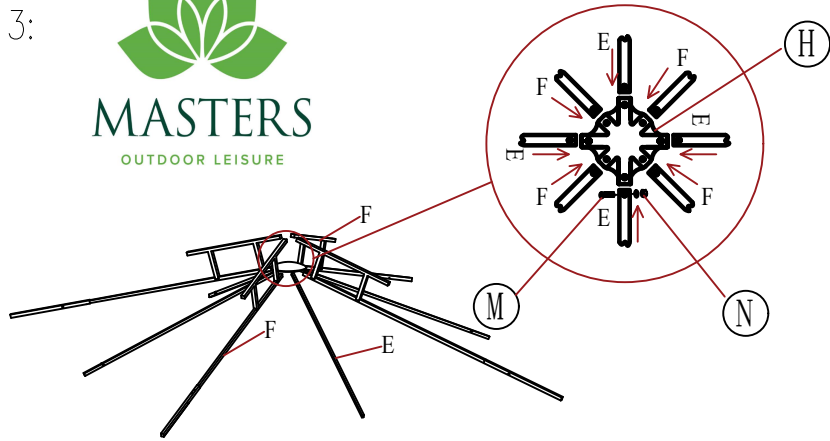
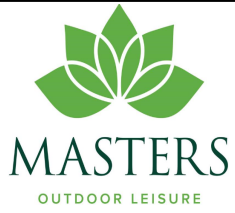
3x3 Buckingham gazebo



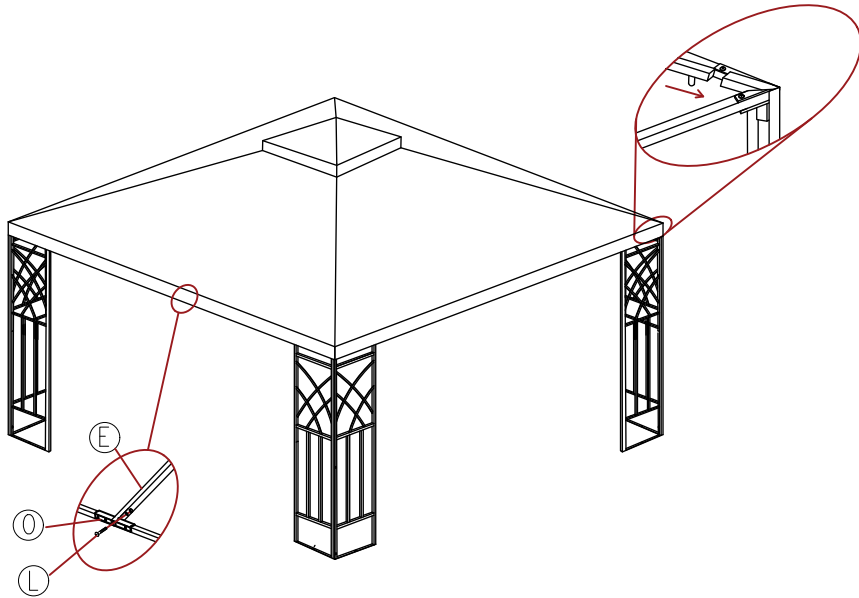
STEP 2:



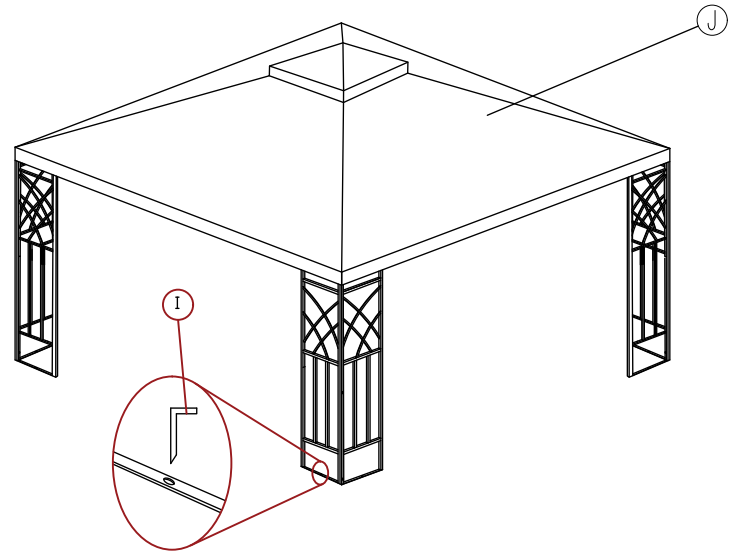
STEP 3:



STEP 4:



STEP 5:



STEP 6:

