

Sterling

FILTRATION
LIMITED

Tel: 01902 491118 Fax: 01902 491119 Email: sales@sterlingfiltration.co.uk



Filtration solutions for heavy equipment and industrial machinery.

This catalogue is not definitive. It is a guide to the wide range of products and services that Sterling Filtration Ltd can supply.

Information in this catalogue is © Sterling Filtration Ltd or is © of the supplier it references. All logos and trademarks are © and are property of the company they represent. All Rights Reserved. No part of this catalogue may be reproduced in whole or part or distributed in any form without the expressed consent of Sterling Filtration Ltd in writing.



About Sterling Filtration Ltd.

Sterling Filtration Ltd was formed in 1996 to provide filtration products for commercial vehicles, construction plant, agricultural equipment and industrial machinery.

Initially occupying a single unit at Meadwood Industrial Estate in Bilston the company has since expanded twice, once in 1998 into an adjoining unit to increase warehouse size and create an accounts office. Then again into another adjoining unit in 2004 due to increased stock holding. With Mezzanine floors installed in all 3 units, more office space and new look signage installed in January 2005 the integration of the 3 units was completed giving us retailing, warehousing and administration from one single site.

Over that period staffing levels increased from 2 fulltime to now having 6 fulltime and 4 part time staff members who have decades of experience amongst them.

Due to the complex nature of the UK filtration market Sterling Filtration Ltd has seen its supplier base increase from 3 in 1996 to over 100 today.

Quality control has always been a high priority and in March 2000 Sterling Filtration Ltd applied and became certified to ISO 9001:2000 with BSI.



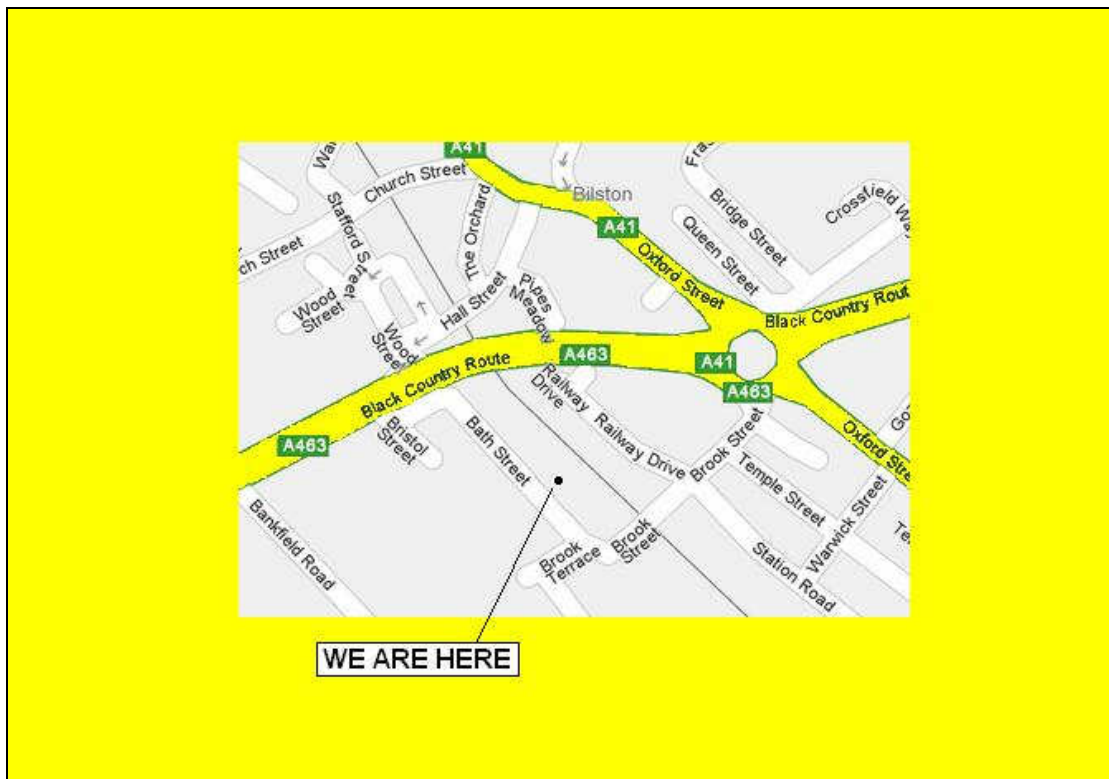


Methods of despatch.

At Sterling Filtration Ltd we use several methods to ensure that you get your filters as quickly and easily as possible. You can choose from any of the following options:

- Overnight courier service.
- Local deliveries (regional)
- Collection is available from our trade counter in Bilston. (See Appendices for full address).

Also as an extra service to you we can deliver direct to the end user on your behalf. We use plain wrapping and paperwork or we can send your delivery notes, you can simply fax or email them to us and we'll take care of the rest.





Identifying Filters

There are four main ways of identifying which filter element you require:

- OEM Part numbers or aftermarket part numbers
- Filter sample
- Accurate dimensions
- Application make and model



WHILST WE WILL USE ALL THE INFORMATION WE HAVE AVAILABLE TO US TO IDENTIFY YOUR FILTERS SOLELY BY REFERENCE TO A MACHINE MAKE AND MODEL, WE CANNOT ACCEPT RESPONSIBILITY SHOULD ANY OF THEM PROVE NOT TO BE CORRECT.

THE SAFEST WAY TO IDENTIFY THE FILTERS NEEDED IS BY SUPPLYING THE ORIGINAL EQUIPMENT MANUFACTURERS NUMBERS. WE WILL ACCEPT RESPONSIBILITY FOR FILTERS SUPPLIED AS CROSS REFERENCES DERIVED IN THIS WAY.



Returns Policy

We want you to be completely satisfied with your purchases. Please let us know if you are unhappy with any aspect of our products or our services, so that we can rectify the situation.

If the goods prove to be inaccurate because of an error by us cross referencing part numbers we will attempt to replace them free of charge, give a refund or credit you in full.

We cannot accept responsibility if we have supplied goods against inaccurate or incomplete information given to us by the customer. Goods may then be returned on a case by case basis and if accepted a 20% re-handling fee applies. If the goods are non-stock items or bespoke the re-handling fee may vary, or the goods may not be returnable.

Please note that we are only able to accept items back that:

- Have not been used or damaged in any way
- Are in a re-saleable condition
- Were originally supplied by Sterling Filtration Ltd

Nothing in this Returns Policy affects your statutory rights.



Sterling Filtration Ltd Sources

At Sterling Filtration Ltd we are committed to offering excellence which is why we only supply filters from global brand leaders. With our excellent stock availability as well as an extensive supply chain we can offer a solution that's obtainable and affordable whatever your requirements.





CONTENTS

AIR FILTRATION AND DUST CONTROL – PAGE 9

ENGINE OIL FILTRATION – PAGE 29

FUEL FILTRATION – PAGE 32

HYDRAULIC FILTRATION – PAGE 48

FILTER MEDIA, PANEL & POCKET FILTERS – PAGE 66

WATER FILTRATION – PAGE 84

COOLANT FILTRATION – PAGE 88

MISCELLANEOUS – PAGE 91

APPENDICES – PAGE 115



AIR FILTRATION

&

DUST CONTROL



Pre-Cleaners



Above left: Donaldson Topspin Above Right: Full View Pre-Cleaner

Full View Pre-cleaners

F.V. PRE-CLEANER	DIAM. (MM)	HEIGHT (MM)	THROAT (MM)	Max Airflow m ³ /min
H001249	187	158	77	4.8
H000821	270	188	96	9.3
H000823	270	188	115	9.6
H002043	307	204	128	21.0
H002224	412	258	179	42.5

Full view pre-cleaners separate up to 75% of incoming dust before it enters the engine air intake system. It has durable, lightweight and a non-corrosive construction. Full-view plastic bowl lets operator easily see when service is needed. Mounting clamp included.

Top Spin Pre-Cleaners

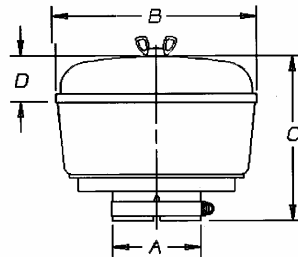
TOP SPIN	DIAMETER (MM)	HEIGHT (MM)	THROAT (MM)	Airflow Range m ³ /min
H002437	162	146	77	2.0 – 4.7
H002426	242	238	97	4.0 – 7.0
H002427	242	238	116	7.0 – 12.0
H002433	288	287	128	10.0 – 15.0
H002439	297	345	179	15.0 – 26.0

Donaldson TopSpin will extend main element life, boost system efficiency and extend engine life. The see-through unit lets you view the TopSpin in operation. During operation it extends air filter life, reducing operating costs and it separates more than 99% of 20 Micron and above particles before the air flow reaches the main air filter element.

We can also offer Donaspin (PLH) and Strata (PCH) pre-cleaners as well as Fleetguard Visi-bowl, Sy Clone & Kleen Air pre-cleaners.



Full View Pre-Cleaners & Replacement Bowls



Entire F.V. Pre-cleaner	Replacement Bowl	Max airflow m ³ /min	Inlet (OD)							
			A		B		C		D	
			in	mm	in	mm	in	mm	in	mm
H00-2041	P02-0115	2	1.38	35	5.59	142	4.75	121	1.72	44
H00-2042	P02-0115	2.3	1.75	44	5.59	142	4.75	121	1.72	44
H00-2040	P02-0115	2.5	2	51	5.59	142	4.75	121	1.72	44
H00-1250	P02-0227	3.7	2.25	57	7.34	186	6.19	157	1.72	44
H00-1251	P02-0227	4.2	*2.50	64	7.34	186	6.19	157	1.72	44
H00-1249	P02-0227	4.8	3	76	7.34	186	6.19	157	1.72	44
H00-0820	P01-6330	9.1	**3.00	76	10.63	270	7.66	195	1.84	47
H00-0821	P01-6330	9.3	3.75	95	10.63	270	7.66	195	1.84	47
H00-0823	P01-6330	9.6	*4.50	114	10.63	270	7.66	195	1.84	47
H00-2043	P02-0344	21	5	127	12.06	306	7.69	195	2	51
H00-2223	P15-8324	36.8	*6.00	152	16.25	413	10	254	2.81	71
H00-2224	P15-8324	42.5	7	178	16.25	413	10	254	2.81	71
* May be used with the pre-screener										
** Heavy Duty Options										

All listed glass bowls are available as separate replacement parts.



Common Air Filters



N.B. All lengths listed here exclude the gaskets and fins.

O.D.mm	I.D. mm	LENGTH mm	BRIEF DETAILS	Main Element	Safety Element
90	45	179	RADIAL/CLOSED ONE END	P822686	P535396
104	63	254	FINNED/BOLT HOLE	P181050	P120949
105.6	63	290.5	RADIAL/CLOSED ONE END	P772578	P775298
133	67	279	FINNED/BOLT HOLE	P181052	P123160
155	88	305	FINNED/BOLT HOLE	P181054	P131394
155	88	380.5	FINNED/BOLT HOLE	P181059	P119410
164	87	197	FINNED/BOLT HOLE	P771594	P775704
164.5	91	344.5	RADIAL/CLOSED ONE END	P772580	P775302
177	88	380.5	NO FINS/BOLT HOLE	P772529	P119410
201	90.5	344	FINNED/BOLT HOLE	P771511	n/a
201	135	406	FINNED/BOLT HOLE	P771555	P133138
201	135	406	FINNED/BOLT HOLE	P772555	P133138
201	135	406	FINNED/BOLT HOLE	P181064	P119375
208	106	409.5	RADIAL/CLOSED ONE END	P777638	P777639
208	106	409.5	RADIAL/CLOSED ONE END	P781039	P777639
234	123	406	NO FINS/BOLTHOLE	P772522	P133138
237	131	461	RADIAL/CLOSED ONE END	P778905	P778906
282	148	510	RADIAL/CLOSED ONE END	P777409	P777414
313	177.5	510	RADIAL/CLOSED ONE END	P777868	P777869
363	228	620	RADIAL/CLOSED ONE END	P781098	P781102

OD	ID	LENGTH	BRIEF DETAILS	Main	Safety
115	64	253	EUROPICLON AIR MAIN	C11100	CF100
124	74	320	EUROPICLON AIR MAIN	C14200	CF200
149	84	360	EUROPICLON AIR MAIN	C15300	CF300
159	94	375	EUROPICLON AIR MAIN	C16400	CF400



Duralite™ Specifications



Above left: ECB style



Above right: ECC style

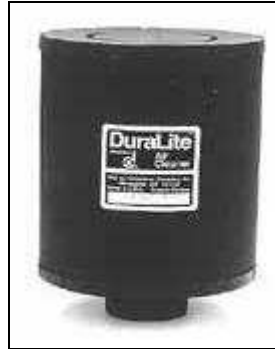
Disposable, small, lightweight and in the case of the ECC, unitised. For 2-3 cylinder, high vibration engines. Can be vertically or horizontally mounted.

PART NUMBER	STYLE	AIRFLOW RANGE M ³ /MIN	DIMENSIONS		
			OD	HEIGHT	ID
B085001	ECB	6.2 - 12.0	216	279	76
B085048	ECB	6.2 - 12.0	216	279	76
B085011	ECB	7.4 - 14.0	216	279	102
B085046	ECB	7.4 - 14.0	216	279	102
B085056	ECB	27.0 - 49.0	196	260	152
B100094	ECB	15.0 - 27.0	267	228	102
B105002	ECB	16.0 - 30.0	267	381	127
B105006	ECB	13.0 - 25.0	267	267	102
B105012	ECB	18.0 - 36.0	267	381	127
B120367	ECB	30.0 - 90.0	318	400	198
B125003	ECB	16.0 - 31.0	318	381	153
B125005	ECB	25.0 - 42.0	318	229	140
B125011	ECB	27.0 - 39.0	318	228	127

PART NUMBER	STYLE	AIRFLOW RANGE M ³ /MIN	DIMENSIONS		
			OD	HEIGHT	ID
C045001	ECC	1.4 - 2.7	114	114	38
C045002	ECC	1.8 - 3.4	114	203	38
C055002	ECC	1.9 - 3.6	140	178	45
C055003	ECC	1.5 - 2.9	140	102	45
C055008	ECC	2.0 - 3.9	140	242	45
C065001	ECC	1.7 - 3.2	165	102	51
C065002	ECC	2.6 - 4.9	165	190	51
C065003	ECC	2.5 - 4.8	165	127	57
C065004	ECC	3.3 - 6.2	165	229	57
C065015	ECC	3.0 - 5.6	165	229	51



Duralite™ Specifications



Above right: ECC style

PART NUMBER	STYLE	AIRFLOW RANGE M ³ /MIN	DIMENSIONS		
			OD	HEIGHT	ID
C065003	ECC	2.5 - 4.8	165	127	57
C065004	ECC	3.3 - 6.2	165	229	57
C085001	ECC	2.7 - 5.1	216	102	64
C085002	ECC	3.4 - 6.3	216	165	64
C085003	ECC	3.6 - 6.7	216	127	76
C085004	ECC	5.0 - 9.6	216	241	76
C105003	ECC	8.7 - 17.0	267	152	102
C105004	ECC	10.5 - 20.0	267	267	102
C125003	ECC	10.0 - 19.0	317	152	127
C125004	ECC	14.0 - 26.5	317	279	127

PART NUMBER	STYLE	AIRFLOW RANGE M ³ /MIN	OD	DIMENSIONS	
				HEIGHT	ID
D045003	ECD	1.4 - 2.8	114	114	38
D045004	ECD	1.45 - 2.9	114	152	38
D055004	ECD	1.8 - 3.5	140	178	45
D065003	ECD	1.6 - 3.0	165	102	51
D065008	ECD	3.5 - 6.6	165	229	51
D085011	ECD	8.0 - 15.5	197	655	106
D085012	ECD	2.5 - 7.5	197	258	106
D125004	ECD	12.0 - 23.0	317	279	127
X770088	ECD	8.0 - 15.5	107	855	M16x1.5
X770132	ECD	2.5 - 7.5	109	183	M16x1.5



Powercore™ Elements



Above P60 8533 Primary Element



Above: P60 8665 Secondary Element

Donaldson Powercore™ offers much more filtration in a smaller housing unit allowing system optimisation at affordable prices. Elements are metal free in their construction making them lightweight and the compact nature can free up space in your work area or engine. Powercore elements are non-metal and can be incinerated and are environmentally friendly. They are available from Sterling Filtration Ltd.

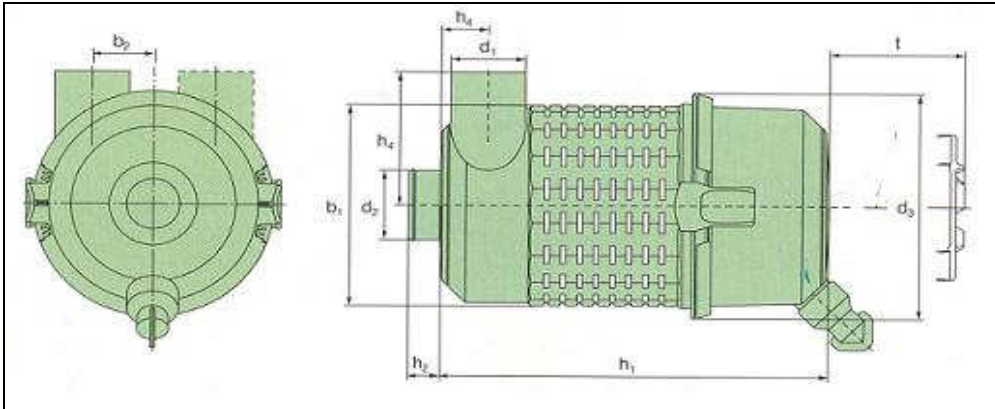
Powercore™ Standard Product Line

MAIN ELEMENT	SAFETY ELEMENT	APPLICATION	INSTALLATION
P608533	P600975	PSD08 0026	VERTICAL
P608533	P600975	PSD08 0020	HORIZONTAL
P608665	P606121	PSD09 0019	VERTICAL (SHORT)
P608665	P606121	PSD09 0020	HORIZONTAL (SHORT)
P608675	P606121	PSD09 0021	VERTICAL (LONG)
P608675	P606121	PSD09 0022	HORIZONTAL (LONG)
P608666	P601560	PSD10 0029	VERTICAL (SHORT)
P608666	P601560	PSD10 0030	HORIZONTAL (SHORT)
P608676	P601560	PSD10 0031	VERTICAL (LONG)
P608676	P601560	PSD10 0032	HORIZONTAL (LONG)
P608667	P607557	PSD12 0035	VERTICAL (SHORT)
P608667	P607557	PSD12 0036	HORIZONTAL (SHORT)
P608677	P607557	PSD12 0037	VERTICAL (LONG)
P608677	P607557	PSD12 0038	HORIZONTAL (LONG)

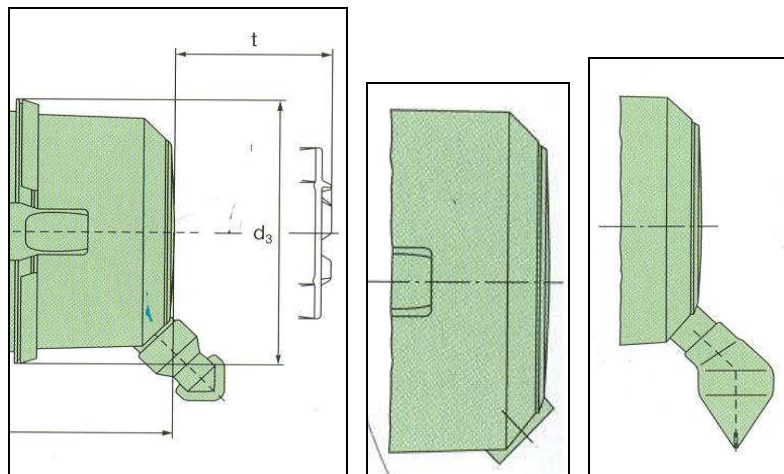
Also available are consumable items such as access covers, U-Clip mountings, Vacuator™ valves, adapters & check valves.



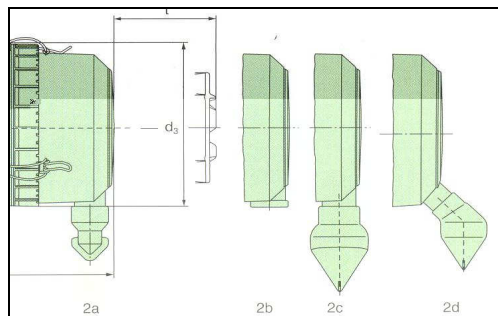
Europiclon® Style Air Cleaner Housings



Above: Europiclon® 100 to 800 Series – Style.



Above: End cover styles fitted with snap fasteners.



Above: End cover styles fitted with wire clamps.



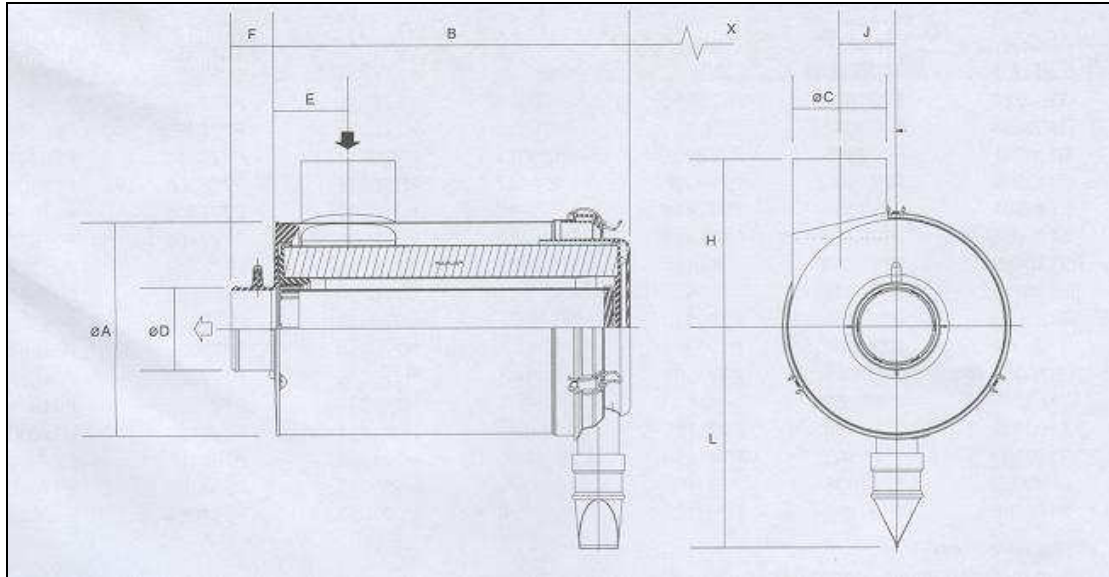
Europiclon® 100 to 800 Dimensions and Ordering Part Numbers

Order No.		Fig.	Dimensions in mm (<i>dimensions in inches</i>)									
without secondary element	with secondary element		b ₁	b ₂	d ₁	d ₂	d ₃	h ₁	h ₂	h ₃	h ₄	t
44 100 92 910	44 100 92 911	1a	158	45	54	50	188	260	27	38	104	237
44 100 92 920	44 100 92 921	1b	(6.22)	(1.77)	(2.12)	(1.97)	(7.40)	(10.24)	(1.06)	(1.50)	(4.09)	(9.39)
44 100 92 940	44 100 92 941	1c										
45 200 92 910	45 200 92 911	2a	173	48	62	60	198	327	27	42	112	304
45 200 92 920	45 200 92 921	2b	(6.81)	(1.89)	(2.44)	(2.36)	(7.80)	(12.87)	(1.06)	(1.65)	(4.41)	(11.97)
45 200 92 940	45 200 92 941	2c										
45 300 92 910	45 300 92 911	2a	203	59	70	70	228	367	30	45	135	344
45 300 92 920	45 300 92 921	2b	(7.99)	(2.32)	(2.76)	(2.76)	(8.98)	(14.45)	(1.18)	(1.77)	(5.32)	(13.54)
45 300 92 940	45 300 92 941	2c										
45 400 92 910	45 400 92 911	2a	223	63	82	80	248	383	32	52	144	359
45 400 92 920	45 400 92 921	2b	(8.78)	(2.48)	(3.23)	(3.15)	(9.76)	(15.08)	(1.26)	(2.05)	(5.67)	(14.13)
45 400 92 940	45 400 92 941	2c										
45 500 92 910	45 500 92 911	2a	264	73	102	100	288	408	37	62	174	384
45 500 92 920	45 500 92 921	2b	(10.39)	(2.87)	(4.02)	(3.94)	(11.34)	(16.06)	(1.46)	(2.44)	(6.85)	(15.12)
45 500 92 940	45 500 92 941	2c										
45 600 92 910	45 600 92 911	2a	295	87	110	110	323	414	27	65	190	384
45 600 92 920	45 600 92 921	2b	(11.61)	(3.43)	(4.33)	(4.33)	(12.72)	(16.30)	(1.06)	(2.56)	(7.48)	(15.12)
45 600 92 940	45 600 92 941	2c										
45 700 92 940	45 700 92 941	2d	325	92	132	130	353	548	32	76	212	500
			(12.80)	(3.62)	(5.20)	(5.12)	(13.90)	(21.57)	(1.26)	(2.99)	(8.35)	(19.69)
45 800 92 940	45 800 92 941	2d	390	114	150	150	418	598	32	85	241	500
			(15.35)	(4.49)	(5.91)	(5.91)	(16.46)	(23.54)	(1.26)	(3.35)	(9.49)	(19.69)

Order No.		Fig.	Nominal flow rate [m ³ /min]	Replacement filter element	
without secondary element	with secondary element			MANN-FILTER main element	MANN-FILTER secondary element
44 100 92 910	44 100 92 911	1a	1 - 3	C 11 100	CF 100
44 100 92 920	44 100 92 921	1b			
44 100 92 940	44 100 92 941	1c			
45 200 92 910	45 200 92 911	2a	2 - 4.5	C 14 200	CF 200
45 200 92 920	45 200 92 921	2b			
45 200 92 940	45 200 92 941	2c			
45 300 92 910	45 300 92 911	2a	3 - 6	C 15 300	CF 300
45 300 92 920	45 300 92 921	2b			
45 300 92 940	45 300 92 941	2c			
45 400 92 910	45 400 92 911	2a	4 - 8	C 16 400	CF 400
45 400 92 920	45 400 92 921	2b			
45 400 92 940	45 400 92 941	2c			
45 500 92 910	45 500 92 911	2a	6 - 12	C 20 500	CF 500
45 500 92 920	45 500 92 921	2b			
45 500 92 940	45 500 92 941	2c			
45 600 92 910	45 600 92 911	2a	7.5 - 15	C 23 610	CF 610
45 600 92 920	45 600 92 921	2b			
45 600 92 940	45 600 92 941	2c			
45 700 92 940	45 700 92 941	2c	15 - 21	C 25 710	CF 710
45 800 92 940	45 800 92 941	2c	18 - 28	C 30 810	CF 810



Donaldson FRG Style Air Cleaner Housings



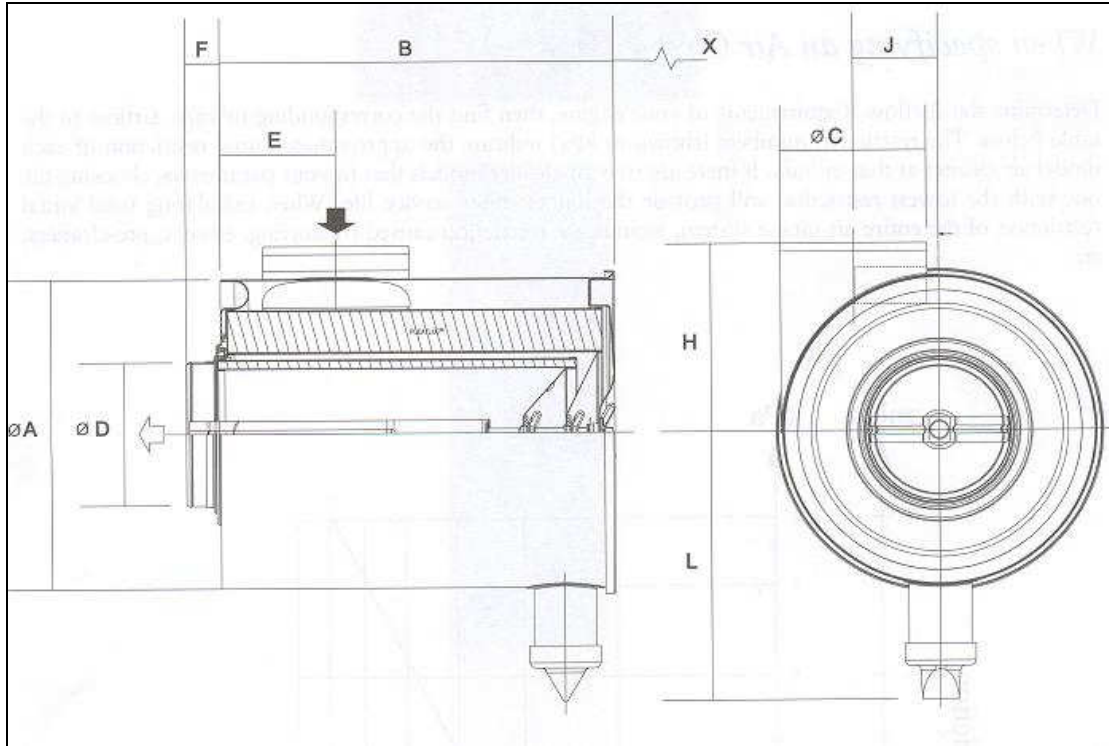
Curve No.	Style	Air Cleaner Model No.	Airflow Range m ³ /min.	Dimensions (mm)										
				A	B	C	D	E	F	H	J	L	X [°]	Z ^{°°}
1	FRG	G100281*	6.5 - 14.0	259	430	114	101	90	52	205	68	270	373	107
2	FRG	G100284	6.5 - 15.5	259	430	114	101	90	52	205	68	270	373	107
3	FRG	G110211**	8.0 - 16.0	279	480	127	114	108	67	191	77	275	373	107
3	FRG	G110269*	8.0 - 16.0	279	480	127	114	108	67	191	77	275	373	107
4	FRG	G130120*	10.0 - 18.0	330	425	152	127	132	58	216	90	301	365	93
5	FRG	G130061*	13.0 - 23.5	330	530	152	127	132	58	216	90	301	470	93
5	FRG	G130086**	13.0 - 23.5	330	530	152	127	132	58	216	90	301	470	93
6	FRG	G130087	13.0 - 25.0	330	530	152	127	132	58	216	90	301	470	93
6	FRG	G130113	13.0 - 25.0	330	530	152	127	132	58	216	90	301	470	93
7	FRG	G150092*	16.0 - 32.0	381	530	178	152	140	70	242	103	338	480	93
7	FRG	G150112**	16.0 - 32.0	381	530	178	152	118	70	242	103	338	480	93
8	FRG	G150097	16.0 - 33.0	381	530	178	152	140	70	242	103	338	480	93
9	FRG	G180033*	20.0 - 42.0	457	510	203	178	128	85	290	128	402	460	130
10	FRG	G180035*	22.0 - 46.0	457	650	203	178	128	85	290	128	402	600	130
11	FRG	G180031*	25.0 - 51.0	457	650	203	203	128	85	290	128	402	600	130
11	FRG	G180038**	25.0 - 51.0	457	650	203	203	128	85	290	128	402	600	130

* Inlet on opposite side
 ** Includes safety element

[°] In column X above - free space needed to remove main element
^{°°} In column Z above - free space needed to remove cover



Donaldson FTG Style Air Cleaner Housings



Curve No.	Style	Air Cleaner Model No.	Airflow Range m ³ /min.	Dimensions (mm)									
				A	B	C	D	E	F	H	J	L	X*
1	FTG	G210007**	32 - 59	546	613	254	254	150	90	330	146	442	613
1	FTG	G210010*	32 - 59	546	613	254	254	150	90	330	146	442	613

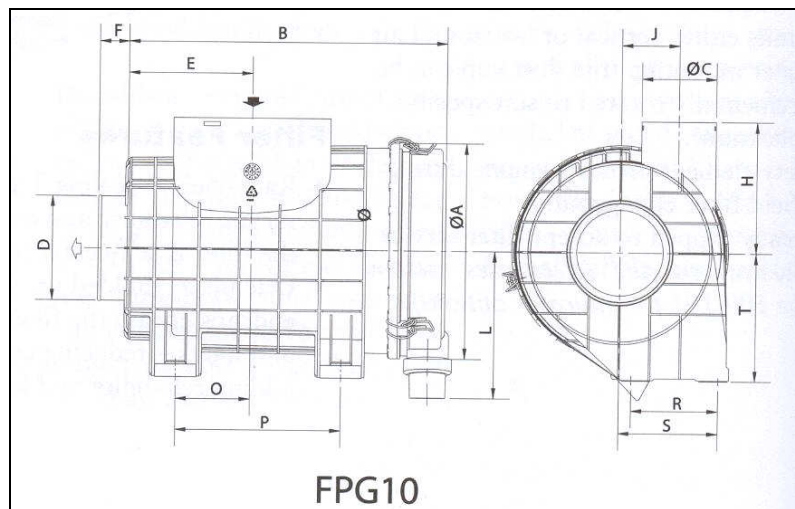
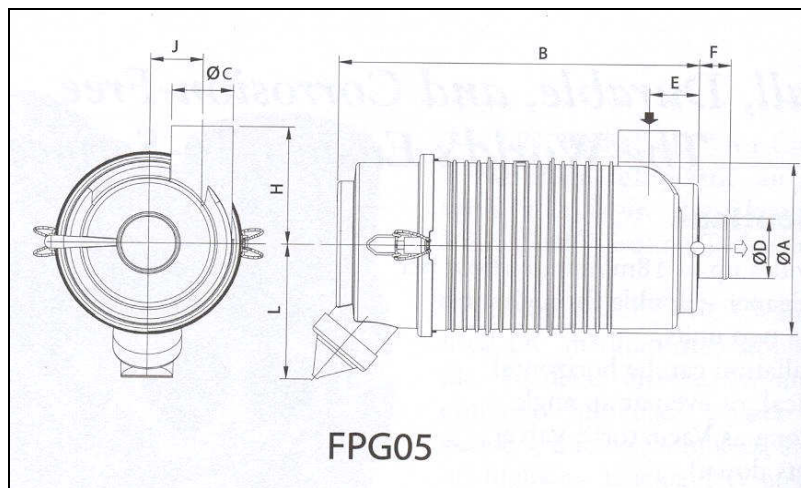
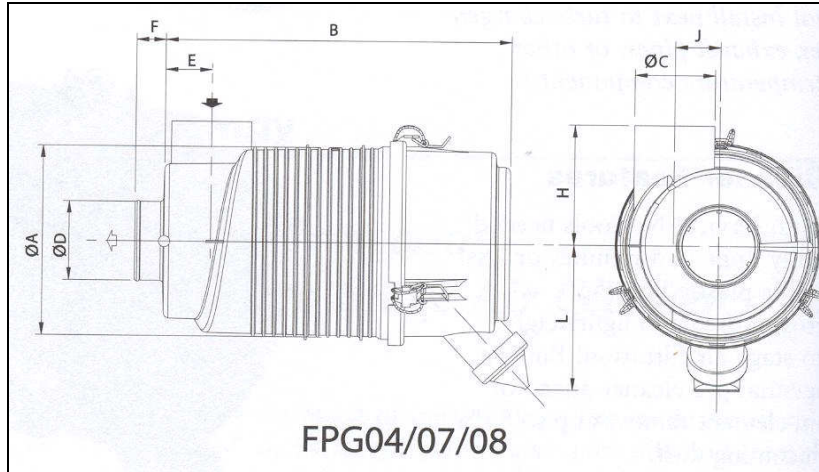
* Inlet on opposite side
 * Includes safety element
 * In column X above - free space needed to remove main element

Air Cleaner Model No.	Main Element	Safety Element	Vacuator™ valve	Raincap	Mounting band*
G210007	P182040	P117781	P105220	H770082	H770068
G210010	P182040	P117781	P105220	H770082	H770068

* Two mounting bands needed per Air Cleaner



Donaldson FPG Style Air Cleaner Housings



Above: Donaldson FPG Housings – Style



Donaldson FPG Dimensions and Part Numbers

Curve No.	Air Cleaner Model No.	Airflow Range m ³ /min	Dimensions (mm)														
			A	B	C	D	E	F	H	J	L	O	P	R	S	T	X*
1	FPG04-2546	0.5 - 1.1	122	189	45	45	40	25	83	37	105						137
2	FPG05-7502*	1.0 - 2.75	146	300	51	51	42	25	100	43.5	115						300
3	FPG05-7504	1.0 - 3.0	146	300	51	51	42	25	100	43.5	115						300
4	FPG05-7505**	1.0 - 2.75	146	300	51	51	42	25	100	43.5	115						300
5	FPG07-0006*	2.0 - 4.7	182	330	76	76	45	27	115	43	138						330
5'	FPG07-0059*	2.0 - 4.7	182	334	76	76	45	27	115	43	171						340
6	FPG07-0009	2.0 - 5.0	182	330	76	76	45	27	115	43	138						330
6'	FPG07-0060	2.0 - 5.0	182	334	76	76	45	27	115	43	171						340
7	FPG08-2503*	4.0 - 8.0	212	355	95	89	54	30	130	48	215						355
8	FPG08-2505	4.0 - 8.5	212	355	95	89	54	30	130	48	215						355
9	FPG10-0274	6.0 - 12.0	262	385	190	127	150	35	180	69	180	90	200	105	120	156	
10	FPG10-0275	8.0 - 16.0	262	530	190	127	150	35	180	69	180	90	200	105	120	156	
11	FPG10-0280*	6.0 - 11.0	262	385	190	127	150	35	180	69	180	90	200	105	120	156	
12	FPG10-0285*	8.0 - 14.0	262	530	190	127	150	35	180	69	180	90	200	105	120	156	

* includes safety element

* In column X above — free space needed to remove main element

** high pulsation application

† with flat cover



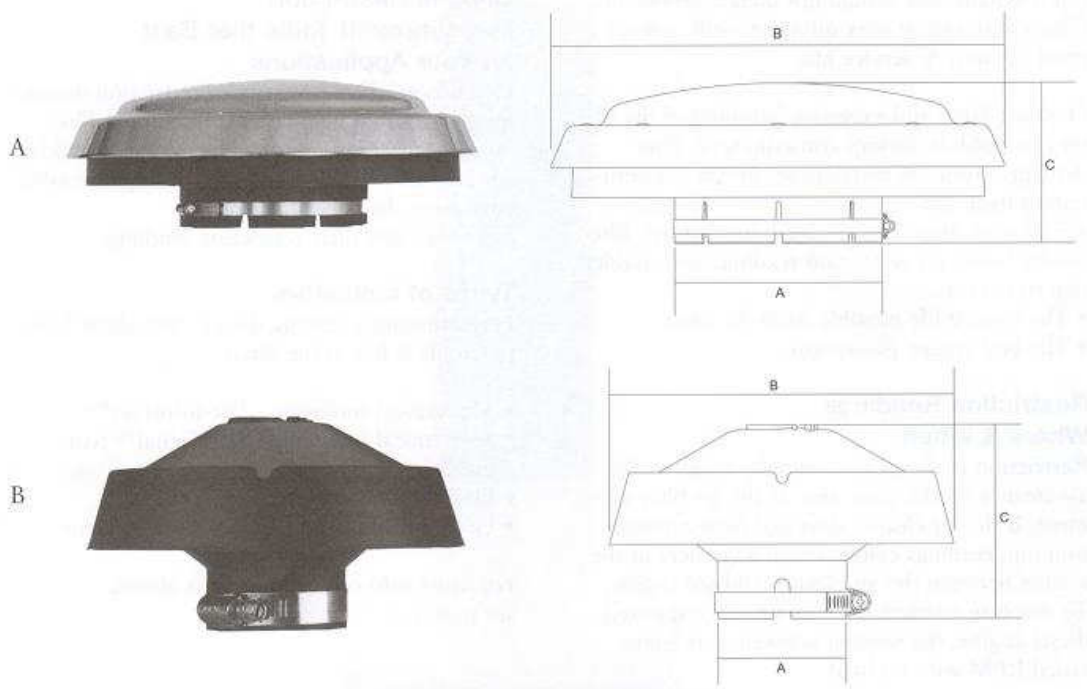
Above: Various styles of air cleaner housing are available upon request.

We can also quote and supply air cleaner assemblies from the EPB, ERB, FLB, SPB, SRB, SRG & STG Donaldson ranges.



Air System Accessories: Rain Caps

Rain Caps protect against large debris ingestion and are easily installed using a single clamp which is included.



PART NUMBER	A	B	C	TYPE
H770066	45	110	56	A
H001377	52	152	86	B
H001378	64	152	86	B
H001379	77	152	86	B
H770010	96	266	132	B
H770081	95.5	200	140	B
H770011	102	266	130	B
H770012	115	266	126	B
H770013	128	266	123	B
H770090	154	405	144	B
H770089	179	405	144	B
H001053	207	405	157	A
H770082	254	406	189	A



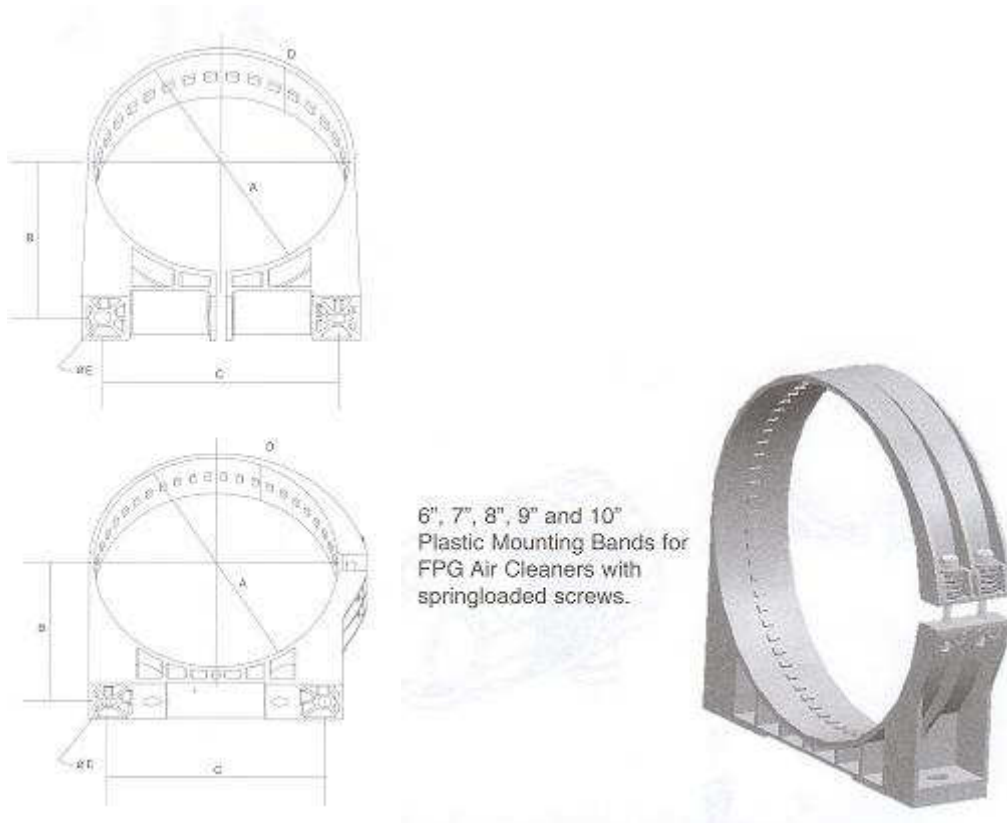
Air System Accessories: Vacuator Valves



PART NO.	DIAMETER	DUROMETER	AIR CLEANERS USED ON
P103198	76	40	FRG 10", 12", 14" & 16" FHG 10", 12", 14" & 16" FWG 4"-16"/FWA 5"-16"/SRG
P105220	76	60	FRG 18"/FHG08/FVG160587/FTG FHG 6"-8"/HIGH PULSATION MODELS
P106593	76	60	
P112803	76	40	FHG 6"-8"/SBG 14"-16" SDG/STG 12"-16"
P149099	25	60	ERA/EBA/EBB/ECG
P158914	51	50	FPG 6" & 8"/FRG 11"/FHG 5"/FWG FWA/IN-LINE WATER SEPARATORS & MOISTURE SKIMMERS
P522958	51	60	FPG 4"-5"/FHG
P525956	25	60	EPG 11", 13" & 15"
P775569	51	60	FPG 4", 5", 6" & 8"/FRG 10" & 13"
P776008	51	60	FRG10", 13" & 15"



Air System Accessories: Plastic Mounting Bands



4" & 5" MOUNTING BANDS FOR FPG AIR CLEANERS

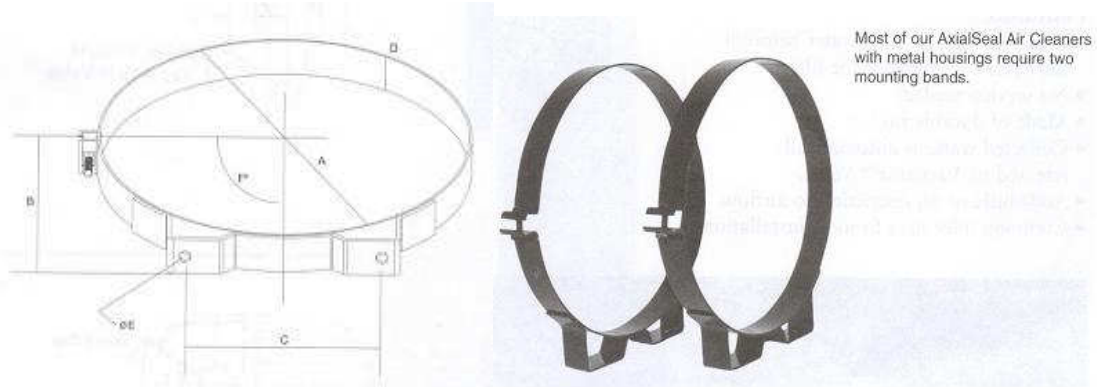
PART NO.	DIAMETER	DIMENSIONS (MM)				
		A	B	C	D	E
P777151	4"	122	79	116	40	9
P777730	5"	146	90	136	50.5	9

6", 7", 8", 9" & 10" Mounting Bands for FPG Air cleaners with springloaded screws

PART NO.	DIAMETER	DIMENSIONS				
		A	B	C	D	E
P778810	6"	171.5	99.5	153.5	50.5	9
P77891	6"	171.5	99.5	90	50.5	9
P781831	6"	171.5	99.5	93	50.5	9
P777731	7"	182	104.5	163	50.5	9
P777732	8"	211.5	19.5	190	50.5	9
P780580	8"	211.5	119.5	110	50.5	9
P780378	8"	212	19.5	110	85	9
P780532	9"	241	136	143	50.5	9
P780594	10"	268	149.5	143	80	11



Air System Accessories: Metal Mounting Bands

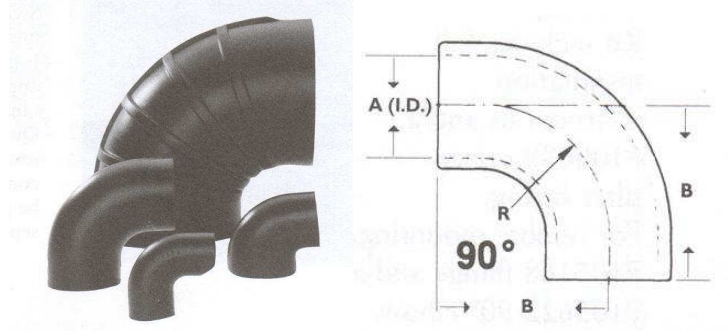


PART NO.	DIMENSIONS (MM)					
	A	B	C	D	E	F
P004055	111	68	82.5	19	9	90
P002348	134	81	82	22	9	90
P002351	153	91	83	26	9	90
P007191	165	99	95	2	10.5 X 15.5	90
P004906	178	105	111	22	10 X 13	90
E500206	203	114	108	25	12 X 17	90
P004307	203	114	108	25	9	90
P004073	223	130	14	32	11.5	90
P004076	259	146	127	32	11.5	90
H770025*	259	146	127	32	11.5	90
P004079	279	156	127	32	11	90
H000349	300	175	152	38	10.5	90
P013722	330	184	152	38	10	90
H770065	330	206	203	38	12	90
H770059	345	191.5	142	38	10	90
H000350	356	206	203	38	12	90
P016845	381	203	203	38	12	90
H000351	407	231	254	38	12	90
H770037	457	234	400	50	14	105
H770068	546	279	490	48	14	105

* With Cage nut



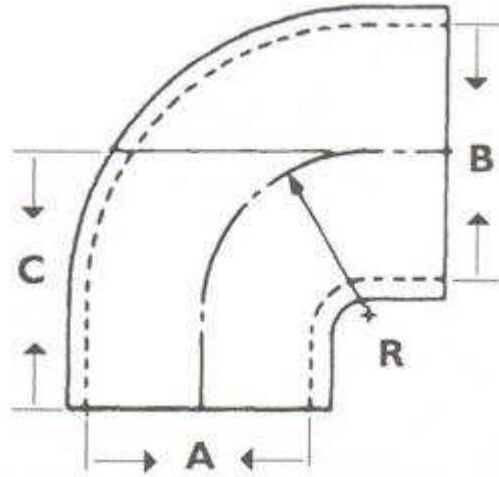
Air System Accessories: Rubber Elbows (90 Degrees)



Part Number	Dimension (mm)			Outer Dia mm
	A	B	R	
P781509	45,0	80	51	51,0
P105529	50,0	89,0	51,0	61,0
P105530	57,0	95,0	57,0	66,5
P105531	63,0	101,5	63,5	76,3
P105532	76,0	127,0	82,5	89,0
P114318	89,0	140,0	102,0	101,7
P105533	102,0	146,0	105,0	113,5
P113733	114,0	140,0	89,0	127,0
P107844	127,0	156,0	115,0	139,8
P105534	140,0	165,0	120,5	152,5
P105535	152,0	171,0	127,0	165,2
P105536	178,0	192,0	141,0	193,6
P112605	203,0	216,0	165,0	222,5
P114314	254,0	267,0	216,0	273,0



Air System Accessories: Reducing Elbows (90 Degrees)



Part Number	Dimension (mm)				Outer Dia mm
	A	B	C	R	
P781510	40,0	45,0	80	45,0	46 - 51
P778565	76,0	60,0	65	70,0	71 - 87
P775228	76,0	70,0	113	60,0	82 - 88
P123462	76,0	89,0	88,9	57,0	88,9 - 101,6
P121482	127,0	101,6	146	95,0	114,4 - 139,8
P143895	152,4	127,0	177,7	108,0	139,6 - 165,0
P159820	178,0	127,0	177,8	108,0	139,6 - 190,4
P128990	178,0	140,0	146	111,0	155,5 - 193,5
P117724	152,4	140,0	170,2	127,0	152,3 - 165,0



Torit™ Dust Control Cartridges.



Donaldson filters keep dust collectors operating at peak performance. Offered for a full range of dust, fume and mist collection applications, Donaldson filters – especially their patented Ultra-Web® filters - outperform and outlast competitors filters. When it comes to Donaldson Ultra-Web® filters, there is no equal on the market. The Donaldson Ultra-Web® filters offer high performance, increased efficiency, longer filter life and in turn greater value.

The Donaldson Torit™ elements are ideal for use in your Mist Collectors, Environmental Control Booths and Dust Collector filter assemblies.

Donaldson has pioneering filter cartridge media technology that has seen it become the world leader in air filtration over the past 90 years with innovations like Ultra-Web® and its nanofibre filter media. Using generic equivalent filters can be an expensive proposition. Will-fit filter cartridges don't last as long and must be replaced more often. That means buying and replacing more filters, more often – giving you greater overall costs over time.

The nanofibre media offers: Increased surface loading, captures sub-micron contaminants, enhances dust cake release, provides better cleaning efficiency, lowers cost per cubic metre per hour of air (m³/h) and lowers energy costs.

Sterling Filtration Ltd can offer you Donaldson Torit elements from stock. The entire Donaldson Torit range is available upon request.

For more dust control products see: Panel Filters (pages 79-83).



ENGINE OIL FILTRATION



Oil Filtration

While oil is primarily used to lubricate and cool moving parts of an engine it also carries out another very important function: that of transferring any harmful abrasive particles to the sump. These particles must be removed before the oil can circulate around the lubrication system again. An efficient way of removing these particles, preventing unnecessary wear or damage, is to pass the oil through a filter before it reaches any of the critical moving parts.

Oil Cartridges



Sterling Filtration Ltd offers a range of stocked oil filter cartridges from a number of leading suppliers including Donaldson, Fleetguard, Mann & Hummel, Hi Fi, Mahle, Coopers and Crosland, which cover a huge range of off and on highway applications.



Oil Canisters



Sterling Filtration Ltd offers a wide range of stocked filter canisters (often referred to as spin-ons) from a range of suppliers including Donaldson, Fleetguard, Mann & Hummel, Hi Fi, Coopers and Crosland, which cover a huge range of off and on highway applications. Oil canisters are usually full flow and some have a by pass but they can be combination filters. Oil canisters typically filter at 15-20 microns nominal and bypass typically 5 microns.

Whatever your oil filtration requirement is please give us a call for help identifying and sourcing your replacement filter elements and canisters.

Bypass Oil Filtration



Bypass oil filtration takes a portion of the oil (around 10%) from every complete circuit cycle, through a loop system, and filters it to a fine level. In theory over many cycles the entire system oil goes through the bypass. This allows fine, gradual filtration of oil without increasing the pressure in the line. By pass filters also remove water from the oil helping to prevent engine wear and corrosion. This allows the primary oil filter to work normally and will significantly extend its life.



FUEL FILTRATION



Common Fuel Filters

Replacement Elements and Canisters.



Diesel is the most commonly used fuel in heavy duty applications and requires filtering to ensure that any contaminants have been removed before they can cause stoppages, or serious damage resulting in complete failure, to the diesel system components.

In-line fuel elements can stop the larger, damaging contaminants such as rust and sediment from the fuel tank entering the fuel system.

Diesel filters are important as they have to protect the fuel pump and injectors not only from abrasive particles but also from minute droplets of water often found in diesel fuel.

Injectors and diesel pumps are precision machined components and are very costly to repair or replace. It is much more cost effective to change the filters at their regular service intervals rather than have to pay the cost of even one breakdown repair bill.

Sterling Filtration Ltd stocks a wide range of diesel fuel filter canisters and elements for all types of application, as well as water separating filters and fuel additives, that will keep your fuel clean and your engine running.



Inline Fuel Filters



GF12 – GENERAL FUEL FILTER 6MM/8MM CONNECTIONS
(PAPER MEDIA)



GF2018D – GENERAL FUEL FILTER 6MM/8MM CONNECTIONS
(NYLON MEDIA)



BF840-K1 – KUBOTA/CASE/ISUZU/M-F ENGINES 6MM/8MM
CONNECTIONS



Stanadyne Fuel Assembly



PART No. 36691

- 5 Micron particle filtration and water removal.
 - Ideal for Ford Transits.
 - 6-8mm connections.
 - Engine or Chassis mountable.
- Suction or low pressure operation (30psi 200 kPa)
- Maximum flow rate 190litres/hr (50 gallons/hr)
 - Replacement element 36682 (5 micron)



Delphi Fuel Housings & Elements.



Above: 5836B100

Fuel filter assemblies are available with glass and metal bowls. Metal bowls offer extra safety on marine applications and prevent breakages.

5836B100 – COMPLETE ASSEMBLY C/W ELEMENT & GLASS BOWL

M6037 – COMPLETE ASSEMBLY C/W ELEMENT & METAL BOWL

HDF296/522 – FILTER ELEMENT.



Fuel Storage Tank Filtration Assembly



B10-AL BSP

Removes damaging particles and water from diesel fuels. Easily installed on fuel tanks or pumps. Gives effective filtration at flow rates to 25gpm or gravity flow of 10 gpm with 30 inch head.

- 1" BSP ports.
- Replacement elements PF10 & PF10-CS
- PF10 offers 10 Micron particle filtration.
- PF10-CS offers 10 Micron particle filtration and water removal.

For replacement gasket seals for this housing see page 110.



Common Fuel Filter Assemblies

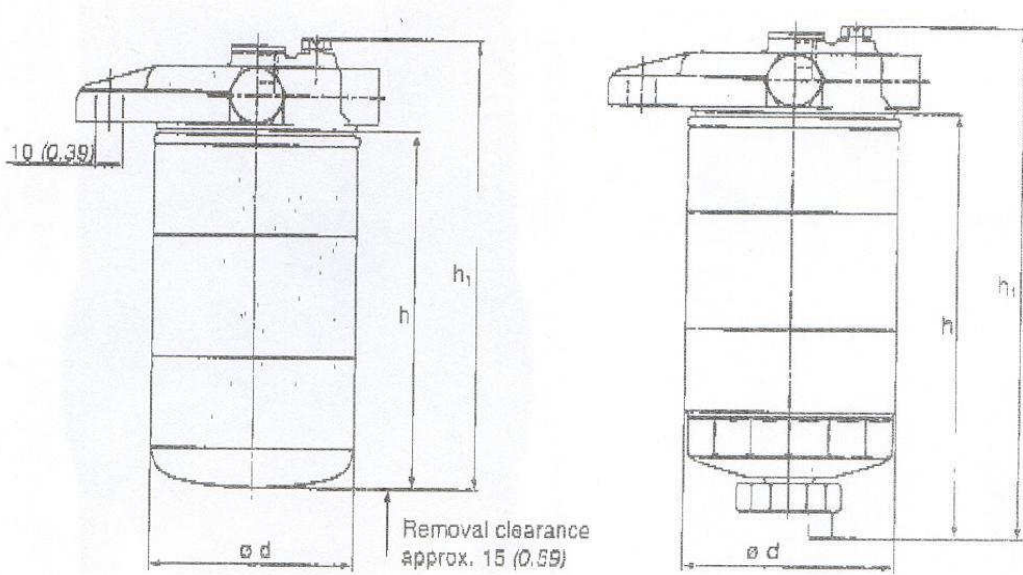
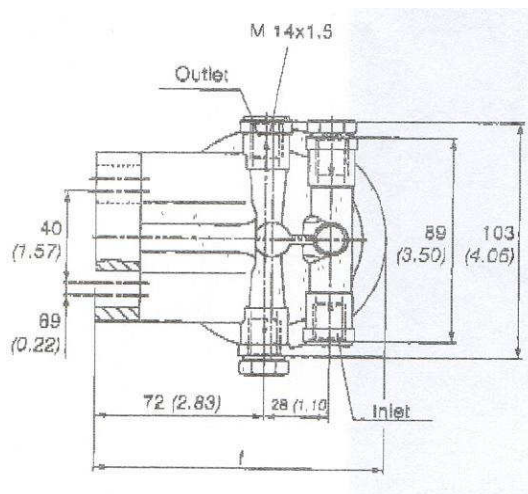


Fig 1

Fig 2

PART No.	Fig	Element No.	Nominal Flow rate l/h	max operating pressure (bar)	Dimensions			drain
					h	h1	d	
6640362182	1	WK723	180	2.5	126	153	76	no
6640462242	1	WK731	180	2.5	119	144	76	no
6640562112	2	WK842	200	2.5	155	182	80	yes
6640062252	2	WK842/6	300	2.5	155	182	81	yes





Fleetguard Diesel Pro Diesel Fuel Filtration System Module.



The Fuel Pro and Diesel Pro units are designed to provide superior diesel fuel filtration with the following features and benefits:

- Superior contaminant filtration with EleMax™ Seeing is Believing® technology.
- StrataPore™ technology
- Excellent water removal capability
- Various fuel warming options
- Ease of maintenance
- Clear Cover construction providing visual indication of filter life, fuel condition and flow

In modern diesel engines, fuel system pressures are extremely high. These high pressures are necessary to ensure optimum fuel atomization to enable a more complete fuel burn. This helps to achieve optimum performance, as well as lowering harmful exhaust emissions. Fuel system contamination is a fact of life. The most common contaminants found in the diesel fuel are:

- Organic elements, Micro-organisms, Water, Inorganic elements

More effects of contamination:

- Wear and corrosion in the transfer pump can cause reduced pressures and flows, usually indicated by hard starting.
- Unnecessary wear of the injector tips causing inefficient spray patterns is indicated by poor fuel economy or performance.
- Short filter life adds to service time and service costs.



Fleetguard Fuel Pro - FH230 Series



Fuel Pro units, designated by the product series FH230, are recommended for heavy duty diesel applications including:

- Mining
- Construction
- Agriculture
- Heavy Duty On Highway
- Oil and Gas
- Power Generation

FH230 series Fuel Pro units have a 150 gph or 568 lph fuel flow rate capability.

They are available with the following heater options:

- Fluid heat
- 12 volt DC, 250 W
- 24 volt DC, 250 W
- 120 volt AC, 75 W

FH230 series Fuel Pro units can use the following replacement filter elements, depending on engine application or service requirements:

StrataPore

- FS19761 EleMax™ 2 micron
- FS19624 EleMax™ 7 micron
- FS19727 EleMax™ 10 micron
- FS19728 EleMax™ 25 micron

Cellulose

- FS19729 EleMax™ 50 micron



Fleetguard Diesel Pro - FH232 and FH233 Series



Diesel Pro units, designated by the product series FH232 and FH233, are recommended for light to medium duty diesel applications including:

- Mining
- Construction
- Agriculture
- Medium Duty On Highway
- Oil and Gas
- Power Generation

Diesel Pro FH232 and FH233 have a 60 gph or 230 lph flow rate, and come with the following heater options:

- Fluid heat
- 12 volt DC, 150 W
- 24 volt DC, 150 W
- 120 volt AC, 37 W

The FH233 series features an overall height of 16.5 inches or 419 mm and makes it suitable for more *unrestricted* applications. The same Replacement Filter Elements as the FH230 are available for this unit.

StrataPore

- FS19761 EleMax 2 micron
- FS19624 EleMax 7 micron
- FS19727 EleMax 10 micron
- FS19728 EleMax 25 Micron

Cellulose

- FS19729 EleMax 50 Micron



FH230 Series Specifications

- HEIGHT OVERALL: 410mm
- DEPTH OVERALL: 184mm
- WIDTH MAX: 175mm
- MOUNT BRACKET CENTRES: 150mm
- WEIGHT (DRY): 4.4kg
- FUEL CAPACITY (WITH FILTER): 1.9 LITRE
- FUEL CONNECTION (INLET): M22 x 1.5
- FUEL CONNECTION (OUTLET): M22 x 1.5
- FLUID HEAT CONNECTION (INLET): M14 x 1.5
- FLUID HEAT CONNECTION (OUTLET): M14 x 1.5
- OPERATION FUEL FLOW RATE: 681 LITRES/HOUR
- WATER TRAP CAPACITY: 1.0 LITRE

FH232 & FH233 Series Specifications

- HEIGHT OVERALL: 357mm
- DEPTH OVERALL: 150mm
- WIDTH MAX: 159mm
- MOUNT BRACKET CENTRES: 134mm
- OR REAR MOUNT CENTRES: 76mm
- WEIGHT (DRY): 2.2kg
- FUEL CAPACITY (WITHOUT FILTER): 0.45 LITRE
- FUEL CONNECTION (INLET): M16 x 1.5
- FUEL CONNECTION (OUTLET): M16 x 1.5
- FLUID HEAT CONNECTION (INLET): M14 x 1.5
- FLUID HEAT CONNECTION (OUTLET): M14 x 1.5
- OPERATION FUEL FLOW RATE: 230 LITRES/HOUR (FH232)
- OPERATION FUEL FLOW RATE: 341 LITRES/HOUR (FH233)
- WATER TRAP CAPACITY: 0.32 LITRE



Parker Racor Elements and Housings



Above: Racor elements R12T (10 Micron), R12P (30 Micron) and R12S (2 Micron) used for fuel/water separation.

Over the last 30 years Racor has become one of the leading names in marine and automotive fuel filtration and water separation. With advanced fuel filtration laboratories across the globe Racor will continue leading the market in advanced fuel filtration technology for years to come.

At Sterling Filtration Ltd we have a large range of stock availability of original Racor style fuel elements at competitive prices. All elements, as shown above, come with the necessary gasket seals.



Fuel Water Separator – Water and Sediment Protection (WASP)



PRODUCT REFERENCE	W15ST.85
DESCRIPTION	Fuel Filter/Water Separator Assembly

Features:

- 100 Micron Cleanable Stainless Steel Screen
- Tough, Clear Carbonate Bowl with Manual Drain Thumb Screw
- Industry Standard Mounting Holes and Double Ports
- Suitable for 5/16" or 8mm Fuel Pipes
- 150 Litres per Hour Capacity
- Suitable for all Mobile Diesel-Engined Applications

Advantages:

- Lengthens Service Life of Main Fuel Filter
- Enhances Engine Protection
- Reduces Engine Downtime



Separ Single Filter Housings



SWK2000/5

SWK2000/5 HOUSING RANGE

Description:

- Available with various flow rates from 1 to 260 l/min. Thereby offering fuel filters for an engine performance range of 5 to 10,000 kw
- Compact size, various ports sizes available, simple installation
- High separation efficiency of water which is contained in the fuel
- The Separ 2000 filter protects the injection pump and injection nozzles
- Easily maintained filters

Applications:

- Automotive industry, trucks, busses, cranes etc
- Construction equipment, compressor sets, agricultural machines etc
- Marine propulsion
- Stationary engines, generators, welding & pumping installations
- Mining applications
- For gas and petrol engines special versions are available
- For cold ambient temperatures Separ 2000 filters are available with an effective heating system

Availability:

- Availability is usually 2-3 days following date of order
- Available as Single or Duplex Units and with either a manual or automotive changeover systems

See page 110 for information on replacement gaskets for this housing.



Superfilter Plus™ Diesel fuel filter / water separators

Fleetguard's spin-on fuel filter/water separator, Superfilter Plus™, with its clear reusable collection bowl and spin-on fuel/water separator unit, is superior to competitive filters in capacity, efficiency and water removal of both free and emulsified water. Positioned between the fuel tank and the pump (in suction) gives a better performance than after the pump (under pressure).

The filter element is available in 25, 37 and 75 gph flow rates for a wide range of applications, and is easy to replace during regular filter servicing.

Superfilter Plus™ may directly replace many standard diesel filters or can be remote mounted with a specially designed multi-port filter head.

The Superfilter Plus™ clear bowl provides a visual display of the water level so a driver can see water being stripped from the fuel. This has a unique self-venting drain valve, which drains the bowl in about 10 seconds within a few turns of the valve. The bowl is constructed of high impact polymer to provide long service life and avoid breakage.

Filter Assembly*	Replacement Element	Efficiency (micron)	Length Assembly Inches (mm)	Length Element Inches (mm)	Outside Diameter Inches (mm)	Thread Size	Flow Rate GPH	Flow Rate LPM	Flow Direction
FS1240B	FS1240	25	5.87 (149)	3.00 (76)	3.75 (95)	1" 14	25	1.9	Outside-In
FS1241B	FS1241	25	6.87 (175)	4.00 (102)	3.75 (95)	1" 14	37	2.8	Outside-In
FS1242B	FS1242	25	8.87 (225)	6.00 (152)	3.75 (95)	1" 14	75	5.7	Outside-In
FS1015B	FS1015	10	8.87 (225)	6.00 (152)	3.75 (95)	1" 14	75	5.7	Outside-In

* Filter Assembly includes: Superfilter Plus™ element, Clear collection bowl and Self-venting drain valve

Heads can be purchased separately.

Remote Mount Heads:

3892646S Metric threads 14 x 1.5mm
 3833198S 7/8" 14 line connections
 3836094S ¼" NPTF line connections
 3836095S 3/8" NPTF line connections
 3835118S Threaded inserts to use with PTC (Positive Temperature Co-efficient) heaters (12V or 24V) with 383198S, 3836094S and 3836095S remote mount heads.

Other replaceable parts include:

3831871S Replacement bowls for all Superfilter Plus™ filters.
 3907766S Heater and gasket for cold climate applications
 3834335S Replacement bowl sensor
 3836525S Drain plug
 3309490S 'O' ring drain plug



Stanadyne Performance Formula



PART No. 32943F (235ml bottle)

Diesel Fuel Additive

235ml bottle will treat 120 litres of diesel fuel

- Helps prevent fuel gelling, waxing and icing
 - Lowers pour point
 - Increases fuel cetane
- Improves engine power and economy
 - Helps prevent rust corrosion
- Cleans and lubricates the entire fuel injection system

CONTAINS NO ALCOHOL



HYDRAULIC FILTRATION



Hydraulic Filter Housings, Elements & Accessories

Clean hydraulic oil is an essential part of your hydraulic system to ensure maximum efficiency and avoid unnecessary wear and tear on your machinery's hydraulic circuit. High performance is assured with simple maintenance of your filters. This also extends the useful life of the hydraulic oil.

Filler and Tank Breathers



Breathers allow the level in your tank to move without allowing large damaging particles from the air outside into the tank. They also allow you to fill and top up your system safely.

Specifications:

Part Number	Description	No of Holes	Flow l/pm	A mm	B mm	C mm
P17 1855	Filler Breather	6	500	70	100	38
P17 1849	Filler Breather	6	470	70	100	38
P17 1848	Filler Breather	3	270	45	63	28
P17 1847	Filler Breather	3	270	45	63	28

A - Diameter of Filler Cap
B - Length of filter mesh
C - Diameter of filter mesh

Tank Breathers - Cellulose Media 10 Micron

Flow Rate l/Min	Part No.	Element	OD	Overall Height	Thread Size
200	P761046	P172435	52	53	M12x1.5
200	P761047	P172435	52	54	M18x1.5
200	P761048	P172435	52	56	M22x1.5
200	P761049	P172435	52	53	G1/4
200	P761050	P172435	52	54	G3/8
500	P761051	P175447	72	74	G1/2
1000	P761052	P761045	108	91	G1

For more information on filler and tank breathers give us a call.



T.R.A.P. Breather
(Thermally Reactive Advanced Protection)
Part No. P56 4669



Above: Innovative, affordable, tank mounted, moisture capturing breather.

The T.R.A.P. breather begins absorbing moisture at 15% relative humidity compared to 40% humidity for silica gel. This is particularly advantageous for use on short cycles of hydraulic circuits. It traps water vapour as the tank level falls and exhales the moisture as the tank refills.

Increased prevention of condensation at an earlier stage helps prevent corrosion, maintain fluid quality and extends fluid life.

Its lightweight robust structure makes it suitable for stationary and mobile applications and it's also effective to -40F.

The reversible flow through the media allows moisture to exit the tank or reservoir.

It stops particles down to 3 micron.

A visual indicator, activated by pressure differential, flashes red to indicate change is needed.

Replacement and installation is easy. Simply hand tightens.

1" NPT Male thread (45CFM max.)

Other T.R.A.P. breathers are available in Bayonet, 3/4" NPT and 3/4" BSP (These sizes all operate at 25CFM max.)



Suction Filters/Strainers



Suction filters play a vital role in removing some of the larger contaminants from your hydraulic oil preventing them from blocking or damaging the pump. They also extend the life of your filters further round the circuit as a result.

Specifications:

Part Number Without by-pass	Flow Rate	BSP	Micron	Length Inc. Thread mm	Length Excl. Thread mm	OD mm
SH-77428	5	1/4	125	56	50	32
SH-77436	10	3/8	125	75	67	32
SH-77001	15	1/2	125	102	95	44
SH-77007	25	3/4	125	112	95	63
SH-77002	50	1	125	140	125	62
SH-77001	130	1 1/2	125	210	195	95
SH-77009	95	1 1/2	125	140	125	80
SH-77004	180	2	125	241	220	95
SH-77013	225	2	125	168	150	165
SH-77014	350	2 1/2	125	225	170	165
SH-77006	500	3	125	280	170	165

PART NUMBER	FLOW RATE l/m	BSP"	OUTER DIA. mm	LENGTH mm	MICRON
P171861	10	3/8	52	68	90
P171865	17	1/2	69	76	90
P171869	25	3/4	75	83	90
P171873	43	1	95	83	90
P171877	45	1	75	131	90
P171885	65	1 1/4	95	172	90
P171889	85	1 1/2	140	98	90
P172452	90	1 1/2	95	205	90
P760151	110	2	101	205	90
P171893	116	2	140	138	90
P171897	186	2	140	205	90
P171901	250	2	140	301	90
P171905	300	2 1/2	140	301	90
P171909	400	3	140	301	90



Suction Filters/Strainers



PART NUMBER	FLOW RATE l/m	BSP"	OUTER DIA. mm	LENGTH mm	MICRON
P171863	10	3/8	52	68	60
P171867	17	1/2	69	76	60
P171871	25	3/4	75	83	60
P171875	43	1	95	83	60
P171879	45	1	75	131	60
P171887	65	1 1/4	95	172	60
P171891	85	1 1/2	140	98	60
P172454	90	1 1/2	95	205	60
P760173	110	2	101	205	60
P171895	116	2	140	138	60
P171899	186	2	140	205	60
P171903	250	2	140	301	60
P171907	300	2 1/2	140	301	60
P171911	400	3	140	301	60

PART NUMBER	FLOW RATE l/m	BSP"	OUTER DIA. mm	LENGTH mm	MICRON
P171862	5	3/8	52	68	30
P171866	9	1/2	69	76	30
P171870	13	3/4	75	83	30
P171874	20	1	95	83	30
P171878	25	1	75	131	30
P171886	35	1 1/4	95	172	30
P171890	45	1 1/2	140	98	30
P172453	50	1 1/2	95	205	30
P760175	55	2	101	205	30
P171894	60	2	140	138	30
P171898	90	2	140	205	30
P171902	120	2	140	301	30
P171906	150	2 1/2	140	301	30
P171910	200	3	140	301	30

The 90 and 60 Micron filter elements have a wire mesh media. The 30 micron filter elements are cellulose media.



High Pressure Housing & Filters



High pressure filter housings allow fine filtering of your hydraulic oil under normal working pressure removing all contaminants at 25, 10 and 5 microns absolute (based on type of housing and element being used).

AP220 HOUSINGS AT 25 MICRON

PART NO.	FLOW RATE l/m	BSP"	ELEMENT	MAX. PRESSURE
K020173	50	½	P169797	420
K020177	90	¾	P169450	420

AP220 HOUSINGS AT 10 MICRON

PART NO.	FLOW RATE l/m	BSP"	ELEMENT	MAX. PRESSURE
K020172	40	½	P169447	420
K020176	80	¾	P169449	420

AP220 HOUSINGS AT 5 MICRON

PART NO.	FLOW RATE l/m	BSP"	ELEMENT	MAX. PRESSURE
K020171	30	½	P169446	420
K020175	70	¾	P169798	420

AP280 HOUSINGS AT 25 MICRON

PART NO.	FLOW RATE l/m	BSP"	ELEMENT	MAX. PRESSURE
K020104	30	½	P171715	420
K020110	50	½	P165136	420
K020116	90	¾	P165138	420

AP280 HOUSINGS AT 10 MICRON

PART NO.	FLOW RATE l/m	BSP"	ELEMENT	MAX. PRESSURE
K020103	30	½	P171714	420
K020109	50	½	P165006	420
K020115	90	¾	P165015	420

AP280 HOUSINGS AT 5 MICRON

PART NO.	FLOW RATE l/m	BSP"	ELEMENT	MAX. PRESSURE
K020169	20	½	P171713	420
K020108	40	½	P165041	420
K020114	70	¾	P165043	420



High Pressure Housing & Filters



AP420 HOUSINGS AT 25 MICRON ABSOLUTE

PART NO.	FLOW RATE l/m	BSP"	ELEMENT	MAX. PRESSURE
K030286	50	½	P171733	420
K030289	80	¾	P171736	420
K030292	80	¾ SAE 6000	P171736	420
K030295	120	1	P171739	420
K030298	120	1 SAE 6000	P171739	420
K040676	180	1 ¼	P171742	420
K040679	180	1 ¼ SAE 6000	P171742	420
K040682	300	1 ½	P171745	420
K040685	300	1 ½ SAE 6000	P171745	420
K040688	400	1 ½	P171748	420
K040691	400	1 ½ SAE 6000	P171748	420

AP420 HOUSINGS AT 10 MICRON ABSOLUTE

PART NO.	FLOW RATE l/m	BSP"	ELEMENT	MAX. PRESSURE
K030285	50	½	P171732	420
K030288	80	¾	P171735	420
K030291	80	¾ SAE 6000	P171735	420
K030294	120	1	P171738	420
K030297	120	1 SAE 6000	P171738	420
K040675	180	1 ¼	P171741	420
K040678	180	1 ¼ SAE 6000	P171741	420
K040681	300	1 ½	P171744	420
K040684	300	1 ½ SAE 6000	P171744	420
K040687	400	1 ½	P171747	420
K040690	400	1 ½ SAE 6000	P171747	420

AP420 HOUSINGS AT 5 MICRON ABSOLUTE

PART NO.	FLOW RATE l/m	BSP"	ELEMENT	MAX PRESSURE
K030284	40	½	P171731	420
K030287	60	¾	P171734	420
K030290	60	¾ SAE 6000	P171734	420
K030293	80	1	P171737	420
K030296	80	1 SAE 6000	P171737	420
K040674	160	1 ¼	P171740	420
K040677	160	1 ¼ SAE 6000	P171740	420
K040680	270	1 ½	P171743	420
K040683	270	1 ½ SAE 6000	P171743	420
K040686	320	1 ½	P171746	420
K040689	320	1 ½ SAE 6000	P171746	420



Return Line Housings & Filters



Return line hydraulic housings clean the oil after it has passed through the working hydraulic circuit making sure any particles produced during use are removed before the oil returns to the hydraulic tank.

FIO WIRE MESH MEDIA – 90 MICRON

PART NO.	FLOW RATE l/m	BSP"	ELEMENT	MAX. WORKING PRESSURE
K030207	20	3/8	P171500	10
K030213	30	1/2	P171500	10
K040506	50	1/2	P171518	10
K040512	60	3/4	P171524	10
K040518	80	3/4	P171530	10
K040500	100	1	P171530	10
K051109	150	1	P171536	10
K051115	180	1 1/4	P171536	10
K070003	200	1 1/4	P171542	10
K070009	250	1 1/2	P171548	10
K070015	330	1 1/2	P171554	10
K070021	330	1 1/2	P171560	10
K070027	500	2	P171566	10
K070033	600	2	P171572	10
K070039	800	2	P171578	10

FIO WIRE MESH MEDIA – 60 MICRON

PART NO.	FLOW RATE l/m	BSP"	ELEMENT	MAX. WORKING PRESSURE
K030212	20	3/8	P171505	10
K030218	30	1/2	P171505	10
K040511	50	1/2	P171523	10
K040517	60	3/4	P171529	10
K040523	80	3/4	P171535	10
K040505	100	1	P171535	10
K051114	150	1	P171541	10
K051120	180	1 1/4	P171541	10
K070008	200	1 1/4	P171547	10
K070014	250	1 1/2	P171553	10
K070020	330	1 1/2	P171559	10
K070026	330	1 1/2	P171565	10
K070032	500	2	P171571	10
K070038	600	2	P171577	10
K070044	800	2	P171583	10



Return Line Housings & Filters



FIO CELLULOSE MEDIA – 30 MICRON NOMINAL

PART NO.	FLOW RATE l/m	BSP"	ELEMENT	MAX. WORKING PRESSURE
K030211	15	3/8	P171504	10
K030217	20	1/2	P171504	10
K040510	35	1/2	P171522	10
K040516	40	3/4	P171528	10
K040522	55	3/4	P171534	10
K040504	65	1	P171534	10
K051113	100	1	P171540	10
K051119	120	1 1/4	P171540	10
K070007	140	1 1/4	P171546	10
K070013	160	1 1/2	P171522	10
K070019	200	1 1/2	P171558	10
K070025	200	1 1/2	P171564	10
K070031	400	2	P171570	10
K070037	500	2	P171576	10
K070043	600	2	P171582	10

FIO CELLULOSE MEDIA – 10 MICRON NOMINAL

PART NO.	FLOW RATE l/m	BSP"	ELEMENT	MAX. WORKING PRESSURE
K030210	15	3/8	P171503	10
K030216	20	1/2	P171503	10
K040509	35	1/2	P171521	10
K040515	40	3/4	P171527	10
K040521	55	3/4	P171533	10
K040503	65	1	P171533	10
K051112	100	1	P171539	10
K051118	120	1 1/4	P171539	10
K070006	140	1 1/4	P171545	10
K070012	160	1 1/2	P171551	10
K070018	200	1 1/2	P171557	10
K070024	200	1 1/2	P171563	10
K070030	400	2	P171569	10
K070036	500	2	P171575	10
K070042	600	2	P171581	10



Return Line Housings & Filters



FIO SYNTHETIC MEDIA - 25 MICRON ABSOLUTE

PART NO.	FLOW RATE l/m	BSP"	ELEMENT	MAX. WORKING PRESSURE
K030209	10	3/8	P171502	10
K030215	15	1/2	P171502	10
K040508	30	1/2	P171520	10
K040514	35	3/4	P171526	10
K040520	50	3/4	P171532	10
K040502	60	1	P171532	10
K051111	90	1	P171538	10
K051117	110	1 1/4	P171538	10
K070005	130	1 1/4	P171544	10
K070011	140	1 1/2	P171550	10
K070017	180	1 1/2	P171556	10
K070023	180	1 1/2	P171562	10
K070029	350	2	P171568	10
K070035	400	2	P171574	10
K070041	500	2	P171580	10

FIO SYNTHETIC MEDIA - 10 MICRON ABSOLUTE

PART NO.	FLOW RATE l/m	BSP"	ELEMENT	MAX. WORKING PRESSURE
K030208	10	3/8	P171501	10
K030214	15	1/2	P171501	10
K040507	30	1/2	P171519	10
K040513	35	3/4	P171525	10
K040519	50	3/4	P171531	10
K040501	60	1	P171531	10
K051110	90	1	P171537	10
K051116	110	1 1/4	P171537	10
K070004	130	1 1/4	P171543	10
K070010	140	1 1/2	P171549	10
K070016	180	1 1/2	P171555	10
K070022	180	1 1/2	P171561	10
K070028	350	2	P171567	10
K070034	400	2	P171573	10
K070040	500	2	P171579	10



Return Line Housings & Filters



FIS WIRE MESH MEDIA – 60 MICRON

PART NO.	FLOW RATE l/m	BSP"	ELEMENT	MAX. PRESSURE
K030306	20	3/8	P171832	10
K030307	40	1/2	P171833	10
K040761	60	3/4	P171529	10
K040762	100	1	P171535	10
K040763	150	1 1/4	P171834	10

FIS CELLULOSE MEDIA – 10 MICRON NOMINAL

PART NO.	FLOW RATE l/m	BSP"	ELEMENT	MAX. PRESSURE
K030310	15	3/8	P171838	10
K030311	30	1/2	P171839	10
K040767	40	3/4	P171527	10
K040768	65	1	P171533	10
K040769	120	1 1/4	P171840	10

FIS SYNTHETIC MEDIA – 25 MICRON ABSOLUTE

PART NO.	FLOW RATE l/m	BSP"	ELEMENT	MAX. PRESSURE
K030312	10	3/8	P171841	10
K030313	25	1/2	P171842	10
K040770	35	3/4	P171526	10
K040771	60	1	P171532	10
K040772	110	1 1/4	P171843	10

FIS SYNTHETIC MEDIA – 10 MICRON ABSOLUTE

PART NO.	FLOW RATE l/m	BSP"	ELEMENT	MAX. PRESSURE
K030314	10	3/8	P171844	10
K030315	25	1/2	P171845	10
K040773	35	3/4	P171525	10
K040774	60	1	P171531	10
K040775	110	1 1/4	P171846	10



Parker Hydraulics Moduflow™ Plus Series

Low Pressure Filters

Moduflow™ *Plus* Series

Applications for Moduflow Filters

- Power Unit Fabrication
- Off-line Filter Loops
- Mobile Equipment

The Moduflow filter is widely considered the most versatile filter available on the market. The unique diverter valve assembly, and inside to outside flow through the element, allows the Moduflow to be configured for in-line, in-tank or suction filtration.

The flow diverter minimizes turbulence and pressure loss through the filter, improving system performance.

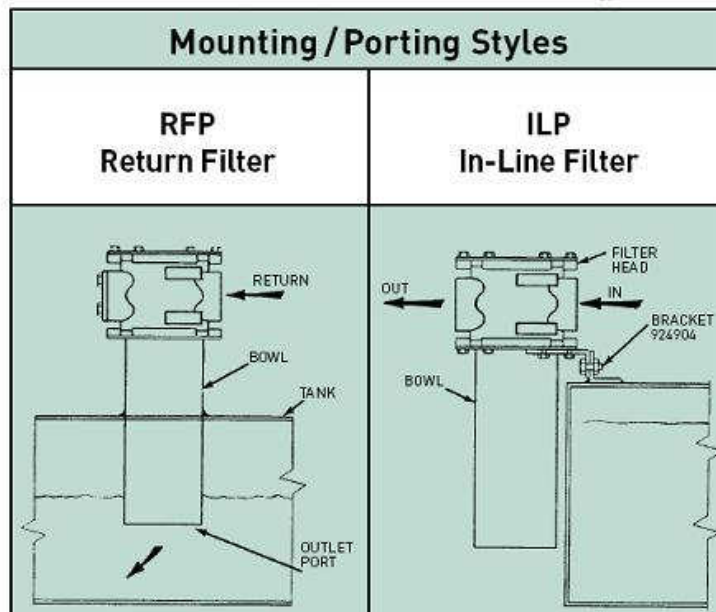
The newly designed closed bottom elements for the RFP and ILP models insures all contamination remains trapped within the element as the filter is serviced.

A wide variety of visual and electrical indicators allows you to know exactly when the element needs to be serviced. There is even a "no element" indicator that can sense when there is not an element installed in the filter.

From top to bottom, the Moduflow filter series provides the high level of filtration and long term dependability so vital to today's hydraulic systems.



Parker's new patented Moduflow element was designed with built-in diverter cone and bypass valve, to meet your application needs.



This range of Parker Hydraulics is available from Sterling Filtration Ltd.



OF7 - Portable Filtration Unit



Above: OF7 portable filtration unit.

The portable filtration unit is a moveable filter pump unit for the pumping and simultaneous cleaning of mineral oils. It is particularly suitable for:

- Filling Hydraulic Units
- Flushing small hydraulic units before commissioning.
- Off-line filtration of mineral oil in hydraulic units.

* NB: The unit is not suitable for removing oil sludge and sediments *

TECHNICAL DATA

Permissible operating medium: Mineral oil to DIN 51524.

Temperature: Max temp of medium - 80 degrees C.

Motor Output: AC current – 0.18kW

Motor Output: DC current – 0.20kW

Max. Air Pressure: 7 Bar.

RPM: AC current – 1350 rpm

RPM: DC current – 1500 rpm

Feed Flow at a viscosity of 40mm²/sec

AC Current: 50Hz – approx. 14 l/min

AC Current: 60Hz – approx. 17 l/min

DC Current: approx. 15 l/min

Working pressure: 3.5 bar max.

Suction pressure: -0.4...0.6 bar (across the inlet)

Weight: 12.5kg

Length of power cable: 2.8m

Length of hoses: 2.5m

Nose Width of suction hose: 20mm

Nose Width of pressure hose: 16mm

Please ask a member of staff for price and availability of this item.



Portable Filtration

There are many different types of portable filtration units available for a range of different applications. These include standard oil filter trolleys, intelligent oil filter trolleys and water clean up systems. These systems can be used to remove the particulate contamination or water from your oil, or can be used to clean up a water system of any contamination. These systems can also be applied to bio-diesel cleaning and polishing.

OF7: Portable filtration unit for pumping and simultaneous cleaning or for off-line filtration, optionally equipped with a DC/AC or pneumatic motor.

Flow Rate: 15 l/min
Weight: 12kg

OF5: Mobile pump unit with large filter element suitable for filtration or pump transfer complete with suction and pressure hose. Also suitable for offline filtration.

Flow Rate: up to 40 l/min
Weight: 70kg

OF5(c/w FCU): Mobile filtration unit with *fluid control unit* for permanent monitoring of the cleanliness level of the oil. The unit can be set to switch off automatically once a pre-defined cleanliness class has been reached.

Flow Rate: up to 40 l/min

FCC: Mobile filtration unit for the transportation, filling and filtering of hydraulic and lubricating oils. Flow meters are optional.

Flow Rate: 15 l/min
Weight: 60kg

FAM: The FAM units are designed to remove free and emulsified water and water in solution from hydraulic and lubricating systems.

Flow Rate: Various – 10/15/30/50/70 l/min.

DONALDSON DFC10: The Donaldson filter cart provides portable offline filtration, flushing and fluid transfer. It uses two stage filtration and comes with safety indicators to notify when the elements need changing. Elements available for water removal as well as 3, 10 & 23 micron particle removal.

Flow Rate: 10 gallons per minute.
Weight 64 kg

Continued...



Portable Filtration

SFC-SENTRY: Light duty filter cart. 110/240V supply. Single 6" filter (Beta 200) rated filter element. Comes with a visual clogging indicator.

Flow Rate: 18-30 l/min adjustable.

SFC-2000: Heavy duty filter cart. 110/240V supply. Single 9" filter (Beta 200) rated filter elements. Comes with a visual clogging indicator.

Flow Rate: 18 l/min or 45 l/min.

SFC-3000: Heavy duty filter cart. 110/240V supply. Double 9" filter (Beta 200) rated filter elements. Comes with a visual clogging indicator.

Flow Rate: 18 l/min or 45 l/min.

IFC6000: Intelligent off-line filtration unit. 110V 50hz. Water and particle removal. PC9000 cleanliness counter fitted as integral part of filter trolley. Also fitted with water sensor and display giving 0-100% relative saturation of oil.

Flow Rate: 500 l/hour.



MS1: Portable filtration unit single filter. Filtration of hydraulic oil removing particulate contamination and water.

Flow Rate: 500 l/hour.

MS2: Portable filtration unit twin filter. Filtration of hydraulic oil removing particulate contamination and water.

Flow Rate: 750 l/hour.

MS4: Portable filtration unit four filter. Filtration of hydraulic oil removing particulate contamination and water.

Flow Rate: 1200 l/hour.



Hydraulic Oil Testing

You bring us a sample, we send it off to our laboratory, and within a week you receive a complete lab analysis report on the condition of your oil. We can then advise you of any filtration problems you may have and offer a solution.



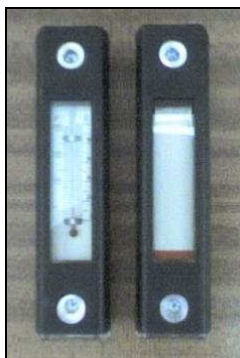
Our Reference: OIL-TEST

Laboratory Report Included.

Give us a call for more details and sample bottles.



Fluid Level/Temperature Gauges



Fluid level and temperature gauges offer visible checks to maintain and monitor your equipment's operational progress.

Part Number	Description	Centres	Thread	Max Temp
P17 1913	Fluid Level	76mm	M10	80°C
P17 1915	Fluid Level/Temp	76mm	M10	80°C
P17 1914	Fluid Level	76mm	M12	80°C
P17 1916	Fluid Level/Temp	76mm	M12	80°C
P17 1917	Fluid Level	127mm	M10	80°C
P17 1919	Fluid Level Temp	127mm	M10	80°C
P17 1918	Fluid Level	127mm	M12	80°C
P17 1920	Fluid Level/Temp	127mm	M12	80°C
P17 1921	Fluid Level	254mm	M12	80°C
P17 1922	Fluid Level/Temp	254mm	M12	80°C



Service Indicators



Above: Visual Indicators.

PART NUMBER	HOUSING STYLE	LENGTH mm	THREAD	TYPE	SETTING
P165194	AP220	63.5	9-16 8-UNF	E	2.7 bar
P167455	AP220	63.5	9-16 8-UNF	E	2.7 bar
P761058	AP220	59	G 1/2	V	3 bar
P171970	AP280	82	G 1/2	E	5 bar
P171947	AP280	84	G 1/2	EV	5 bar
P171944	AP280	84	G 1/2	EV	5 bar
P171945	AP280	59	G 1/2	V	5 bar
P761056	AP280	64	G 1/2	E	5 bar
P171970	AP420	82	G 1/2	E	5 bar
P171947	AP420	84	G 1/2	EV	5 bar
P171944	AP420	84	G 1/2	EV	5 bar
P171945	AP420	59	G 1/2	V	5 bar
P761056	AP420	64	G 1/2	E	5 bar
P171953	FIO	62	G 1/8	V	Minus 1 ÷ 5 bar
P171958	FIO	74	G 1/8	V	1.2 bar
P171966	FIO	61	G 1/8	E	1.2 bar
P173104	FIO	61	G 1/8	E	1.2 bar
P171953	FIS	62	G 1/8	V	Minus 1 ÷ 5 bar
P171958	FIS	74	G 1/8	V	1.2 bar
P171966	FIS	61	G 1/8	E	1.2 bar
P173104	FIS	61	G 1/8	E	1.2 bar

Length - Overall length before fitting.

E = Electrical Differential Pressure Indicator

V = Visual Differential Pressure Indicator

EV = Electrical & Visual Pressure Differential Pressure Indicator



BAGS, MEDIA & PANEL FILTERS



Bag Filters



FILTER CATEGORY G4

Name: **CB ACTICARB**
Description: These are activated carbon impregnated bag filters.
Application: As an odour reducer in non-critical applications.
Header Frame: Rolled galvanised steel with safety edge.
Media: Synthetic media 100% impregnated with activated carbon high-grade powder.
Specification: EU Grade: G4/EU4
5 Micron: This filter is >95% efficient at this particle size.

Name: **CP4**
Description: These are general-purpose bag filters.
Application: General heating and air-conditioning. As pre-filters to carbon cells in odour extraction.
Header Frame: Rolled galvanised steel with safety edge.
Media: Pleated 100% thermally bonded polyester. Flame retardant to CP413 (BS5588)
Specification: EU Grade: G4/EU4
5 Micron: This filter is >95% efficient at this particle size.

FILTER CATEGORY F5

Name: **CP5**
Description: These are general-purpose bag filters.
Application: General heating and air-conditioning. As pre-filters to carbon cells in odour extraction. Higher efficiency than the CP4 panel filters
Header Frame: Rolled galvanised steel with safety edge.
Media: Pleated 100% thermally bonded polyester. Flame retardant to CP413 (BS5588)
Specification: EU Grade: F5/EU5
3 Micron: Filter is >95% efficient at this Micron size.



Bag Filters



FILTER CATEGORY F6

Name: **NEATPLEAT 65**
Description: Can be used in areas where bag filters are not small enough.
Application: The filters are made from a fire retardant media. The filters are compact, meaning short filter housings and easy installation in confined and awkward spaces. The filters are hydrophobic and do not experience pressure loss in humid conditions.
Header Frame: Galvanised steel frame.
Media: 100% polypropylene filter media.
Specification: EU Grade: F6/EU6
 2.2 Micron: Filter is >95% efficient at this particle size.

Name: **CP6**
Description: These are medium / fine grade multi-pocket bag filters.
Application: General heating and air-conditioning. For use on fresh air make up, as a standalone filter or as a pre-filter to high-grade filtration systems. A panel pre-filter should be used with this filter.
Header Frame: Rolled galvanised steel with safety edge.
Media: Synthetic media.
Specification: EU Grade: F6/EU6
 2.2 Micron: Filter is >95% efficient at this particle size.

Name: **ULTRASEAL CU6**
Description: Low price, high efficiency bag filter.
Application: General heating and air-conditioning. For use on fresh air make up, as a standalone filter or as a pre-filter to high-grade filtration systems.
Construction: Uses C.W.S technology. Six rows of internal spacers are provided to allow the filter to inflate.
Seals: Designed to withstand burst pressure in excess of 1000pa.
Media: Micro-fibrous media.
Specification: EU Grade: F6/EU6
 2.2 Micron: Filter is >95% efficient at this particle size.



Bag Filters



FILTER CATEGORY F7

Name: **NEATPLEAT 85**
Description: Can be used in areas where bag filters are not small enough.
Application: The filters are made from a fire retardant media. The filters are compact. Meaning short filter housings and easy installation in confined and awkward spaces. The filters are hydrophobic and do not experience pressure loss in humid conditions.
Header Frame: Galvanised steel frame.
Media: 100% polypropylene filter media.
Specification: EU Grade: F7/EU7
 0.6 Micron: Filter is >95% efficient at this particle size.

Name: **CP7**
Description: These are fine grade multi-pocket bag filters.
Application: General heating and air-conditioning. For use on fresh air make up, as a standalone filter or as a pre-filter to high-grade filtration systems. A panel pre-filter should be used with this filter.
Header Frame: Rolled galvanised steel with safety edge.
Media: Synthetic media.
Specification: EU Grade: F7/EU7
 1.8 Micron: Filter is >95% efficient at this particle size.

Name: **ULTRASEAL CU7**
Description: Low price, high efficiency bag filter.
Application: General heating and air-conditioning. For use on fresh air make up, as a standalone filter or as a pre-filter to high-grade filtration systems.
Construction: Uses C.W.S technology. Six rows of internal spacers are provided to allow the filter to inflate.
Seals: Designed to withstand burst pressure in excess of 1000pa.
Media: Micro-fibrous media.
Specification: EU Grade: F7/EU7
 1.8 Micron: Filter is >95% efficient at this particle size.



Bag Filters



FILTER CATEGORY F8

Name: **NEATPLEAT 90**
Description: Can be used in areas where bag filters are not small enough.
Application: The filters are made from a fire retardant media. The filters are compact. Meaning short filter housings and easy installation in confined and awkward spaces. The filters are hydrophobic and do not experience pressure loss in humid conditions.
Header Frame: Galvanised steel frame.
Media: 100% polypropylene filter media.
Specification: EU Grade: F8/EU8
 2.2 Micron: Filter is >95% efficient at this particle size.

Name: **CP8**
Description: These are super fine grade multi-pocket bag filters.
Application: General heating and air-conditioning. For use on fresh air make up, as a standalone filter or as a pre-filter to high-grade filtration systems. A panel pre-filter should be used with this filter.
Header Frame: Rolled galvanised steel with safety edge.
Media: Synthetic media.
Specification: EU Grade: F8/EU8
 0.6 Micron: Filter is >95% efficient at this particle size.

Name: **ULTRASEAL CU8**
Description: Low price, high efficiency bag filter.
Application: General heating and air-conditioning. For use on fresh air make up, as a standalone filter or as a pre-filter to high-grade filtration systems.
Construction: Uses C.W.S technology. Six rows of internal spacers are provided to allow the filter to inflate.
Seals: Designed to withstand burst pressure in excess of 1000pa.
Media: Micro-fibrous media.
Specification: EU Grade: F8/EU8
 0.6 Micron: Filter is >95% efficient at this particle size.



Bag Filters



FILTER CATEGORY F9

Name:	NEATPLEAT 95
Description:	Can be used in areas where conventional bag filters are not small enough.
Application:	The filters are made from a fire retardant media. The filters are compact. Meaning short filter housings and easy installation in confined and awkward spaces. The filters are hydrophobic and do not experience pressure loss in humid conditions.
Header Frame:	Galvanised steel frame.
Media:	100% polypropylene filter media.
Specification:	EU Grade: G9/EU9
	0.6 Micron: Filter is >95% efficient at this particle size.



SYNTHETIC FILTER MEDIA
2" POLY



DESCRIPTION

Progressively built up resin bonded polyester fibre – non toxic with a high mechanical structure. A medium performance filter media with a high dust holding capacity and a high average gravimetric assistance.

SUGGESTED APPLICATION

For medium grade filtration in air conditioning systems and as pre filtration to high efficiency filters in critical air conditioning and process plants.

TECHNICAL DATA

Dry Weight	400	g/m ²
Arrestance (DIN 24185/BS6540)	87	%
Nominal Air Volume	3400	m ³ /h per m ²
Air Velocity	2.85	M/s
Initial Pressure Drop	135	Pa
Final Pressure Drop	250	Pa
Filter Classification	G3	Grade
Maximum Temperature	80	oC
Maximum Humidity	100	oC
Dust Holding Capacity	673	g/m ²
Colour	White	
Washability	Not recommended	
Flammability (DIN 53438)	Class F1 (Self Extinguishing)	

<u>PRODUCT</u>	<u>THICKNESS (mm)</u>	<u>WIDTH(m)</u>	<u>LENGTH(m)</u>
2" POLY	50	2.05	10



SYNTHETIC FILTER MEDIA
PST 290si



DESCRIPTION

Progressively built up thermal bonded 100% polyester fibre – non toxic with a high mechanical structure.

SUGGESTED APPLICATION

For use in air conditioning devices and installations, particularly Spraybooths and drying cabinets

TECHNICAL DATA

Dry Weight	250 g/m ²
Arrestance (DIN 24185/BS6540)	92.1% @ 5µm
Nominal Air Volume	3985 m ³ /h m ²
Air Velocity	1.10 M/s
Initial Pressure Drop	40 Pa
Final Pressure Drop	250 Pa
Filter Classification	G4 Grade
Maximum Temperature	80C
Maximum Humidity	100%
Dust Holding Capacity	476g/m ²
Colour	Blue/White
Washability	Limited
Flammability (DIN 53438/3)	Class F1 Self Extinguishing

<u>PRODUCT</u>	<u>THICKNESS (mm)</u>	<u>WIDTH(m)</u>	<u>LENGTH(m)</u>
PST 290si	20	2.05	20
PST 290si	20	1.00	20



SYNTHETIC FILTER MEDIA
SPEU 480



DESCRIPTION

Progressively built up thermal bonded 100% polyester fibre – non toxic with a high mechanical structure. A high performance filter with a high average dust holding capacity and high dust weight arrestance. This fine filter is additionally treated with a special adhesive fluid to prevent dust loss due to vibration. This media is reinforced with a supporting scrim on the clean air side to increase stability and to ensure correct installation, and is ideally suited to applications where the media needs to be stretched to be retained within some booth holding frames.

SUGGESTED APPLICATION

For fine filtration in air conditioning devices and installations, particularly final filtration in Automotive Spraybooths and drying cabinets

TECHNICAL DATA

Dry Weight	510 g/m ²
Arrestance (DIN 24185/BS6540)	96.3%
Air Velocity	0.25 M/s
Initial Pressure Drop	23 Pa
Final Pressure Drop	400 Pa
Filter Classification	F5 Grade
Maximum Temperature	80C
Maximum Humidity	80%
Dust Holding Capacity	399 g/m ²
Colour	White
Washability	No
Flammability (DIN 53438)	Class 1 Self Extinguishing

<u>PRODUCT</u>	<u>THICKNESS (mm)</u>	<u>WIDTH(m)</u>	<u>LENGTH(m)</u>
SPEU 480	20	2.05	20
SPEU 480	20	1.00	20



SYNTHETIC FILTER MEDIA
T15-150 Si



DESCRIPTION

Progressively built up thermal bonded 100% polyester fibre – non toxic with a high mechanical structure.

SUGGESTED APPLICATION

For use in air conditioning devices. Especially suited for use in high velocity units.

TECHNICAL DATA

Dry Weight	130g/m ²
Arrestance (DIN 24185/BS6540)	76.7%
Nominal Air Volume	5400 m ³ /h
Air Velocity	1.5 M/s
Initial Pressure Drop	15 Pa
Final Pressure Drop	160 Pa
Filter Classification	G2 Grade
Maximum Temperature	120C
Maximum Humidity	100%
Dust Holding Capacity	410g/m ²
Colour	White
Washability	Limited
Flammability (DIN 53438)	Class 1 Self Extinguishing

<u>PRODUCT</u>	<u>THICKNESS (mm)</u>	<u>WIDTH(m)</u>	<u>LENGTH(m)</u>
T15-150Si	13	2.05	20



SYNTHETIC FILTER MEDIA
T15-350 Si



DESCRIPTION

Progressively built up thermal bonded 100% polyester fibre – non toxic with a high mechanical structure.

SUGGESTED APPLICATION

For use in air conditioning devices and installations such as spraybooths and drying cabinets.

TECHNICAL DATA

Dry Weight	275g/m ²
Arrestance (DIN 24185/BS6540)	91.2%
Nominal Air Volume	5400 m ³ /h
Air Velocity	1.5 M/s
Initial Pressure Drop	25 Pa
Final Pressure Drop	210 Pa
Filter Classification	G4 Grade
Maximum Temperature	120C
Maximum Humidity	100%
Dust Holding Capacity	678g/m ²
Colour	White
Washability	Yes
Flammability (DIN 53438)	Class 1 Self Extinguishing

<u>PRODUCT</u>	<u>THICKNESS (mm)</u>	<u>WIDTH(m)</u>	<u>LENGTH(m)</u>
T15-350Si	15	2.05	20



SYNTHETIC FILTER MEDIA
T15-500 Si



DESCRIPTION

Progressively built up thermal bonded 100% polyester fibre – non toxic with a high mechanical structure.

SUGGESTED APPLICATION

For use in air conditioning devices and installations such as spraybooths and drying cabinets.

TECHNICAL DATA

Dry Weight	425g/m ²
Arrestance (DIN 24185/BS6540)	93%
Nominal Air Volume	5400 m ³ /h
Air Velocity	1.5 M/s
Initial Pressure Drop	35 Pa
Final Pressure Drop	250 Pa
Filter Classification	G4 Grade
Maximum Temperature	80C
Maximum Humidity	100%
Dust Holding Capacity	540g/m ²
Colour	White
Washability	Yes
Flammability (DIN 53438)	Class 1 Self Extinguishing

<u>PRODUCT</u>	<u>THICKNESS (mm)</u>	<u>WIDTH(m)</u>	<u>LENGTH(m)</u>
T15-500Si	20	2.05	20



SYNTHETIC FILTER MEDIA
TA 500



DESCRIPTION

Progressively built up thermal bonded 100% polyester fibre – non toxic with a high mechanical structure. A high performance filter with a high average dust holding capacity and high dust weight arrestance. This fine filter is additionally treated with a special adhesive fluid to prevent dust loss due to vibration.

SUGGESTED APPLICATION

For fine filtration in air conditioning devices and installations, particularly final filtration in Automotive Spraybooths and drying cabinets

TECHNICAL DATA

Dry Weight	500g/m ²
Arrestance (DIN 24185/BS6540)	98%
Nominal Air Volume	900m ³ /h m ²
Air Velocity	0.25 M/s
Initial Pressure Drop	54 Pa
Final Pressure Drop	450 Pa
Filter Classification	F5 Grade
Maximum Temperature	100C
Maximum Humidity	100%
Dust Holding Capacity	223 g/m ²
Colour	White
Washability	No
Flammability (DIN 53438)	Class 1 Self Extinguishing

<u>PRODUCT</u>	<u>THICKNESS (mm)</u>	<u>WIDTH(m)</u>	<u>LENGTH(m)</u>
TA 500	20	2.05	20
TA 500	20	1.00	20



Panel Filters Type 90



Description: Disposable panel filter.

Application: General heating and air conditioning. Acts as a pre-filter to bag filters.

Frame: Water resistant card.

Media: Grade spun glass fibre.

EU Grade: G3/EU3.

Type 90 Panel Filters 25mm

PART NUMBER	NOMINAL SIZE (")	ACTUAL SIZE (mm)	CAPACITY M ³ /HOUR
TA1-1020	10x20x1	241x495x22	773
TA1-1224	12x24x1	292x594x22	1112
TA1-1520	15x20x1	368x495x22	1180
TA1-1515	15x15x1	368x368x22	878
TA1-1620	16x20x1	394x495x22	1264
TA1-1625	16x25x1	394x652x22	1588
TA1-1818	18x18x1	445x445x22	1283
TA1-2020	20x20x1	495x495x22	1588
TA1-2025	20x25x1	495x622x22	1995
TA1-2024	20x24x1	495x594x22	1905
TA1-2424	24x24x1	594x594x22	2286

Type 90 Panel Filters 50mm

PART NUMBER	NOMINAL SIZE (")	ACTUAL SIZE (mm)	CAPACITY M ³ /HOUR
TA2-1010	10x10x2	241x241x48	376
TA2-1020	10x20x2	241x495x48	773
TA2-1212	12x12x2	292x292x48	553
TA2-1224	12x24x2	292x594x48	1124
TA2-1520	15x20x2	368x495x48	1150
TA2-1515	15x15x2	368x368x48	878
TA2-1620	16x20x2	394x495x48	1006
TA2-1625	16x25x2	394x622x48	1450
TA2-1818	18x18x2	455x455x48	1283
TA2-1824	18x24x2	445x594x48	1680
TA2-2020	20x20x2	495x495x48	1588
TA2-2025	20x25x2	495x622x48	1995
TA2-2024	20x24x2	495x594x48	1905
TA2-2424	24x24x2	594x594x48	2286



Panel Filters Type 100



Description: Disposable panel filter.

Application: General heating and air conditioning. Acts as a pre-filter to bag filters.

Frame: Water resistant card.

Media: 100% thermally bonded polyester. Flame retardant.

EU Grade: G3/EU3.

Type 100 Synthetic Panel Filters EU3 22mm thick

PART NUMBER	NOMINAL SIZE (")	ACTUAL SIZE (mm)	CAPACITY M ³ /HOUR
TH1-1212	12x12x1	292x292x22	773
TH1-1224	12x24x1	289x594x22	1112
TH1-1515	15x15x1	368x368x22	878
TH1-1620	16x20x1	394x495x22	1264
TH1-1625	16x25x1	394x622x22	1588
TH1-1818	18x18x1	445x445x22	1283
TH1-2020	20x20x1	495x495x22	1588
TH1-2025	20x25x1	495x622x22	1995
TH1-2024	20x24x1	495x594x22	1905
TH1-2424	24x24x1	594x594x22	2286

Type 100 Synthetic Panel Filters EU3 45mm thick

PART NUMBER	NOMINAL SIZE (")	ACTUAL SIZE (mm)	CAPACITY M ³ /HOUR
TH2-1212	12x12x2	292x292x48	773
TH2-1224	12x24x2	289x594x48	1112
TH2-1515	15x15x2	368x368x48	878
TH2-1620	16x20x2	394x495x48	1264
TH2-1625	16x25x2	394x622x48	1588
TH2-1818	18x18x2	445x445x48	1283
TH2-2020	20x20x2	495x495x48	1588
TH2-2025	20x25x2	495x622x48	1995
TH2-2024	20x24x2	495x594x48	1905
TH2-2424	24x24x2	594x594x48	2286



Panel Filters V Line



Description: Disposable panel filter.

Application: General heating and air conditioning. As a pre-filter to bag filters. This filter offers higher efficiency and longer life than type 90 and 100 panel filters. Flame retardant.

Frame: Galvanised steel, with rolled safety edge.

Media: Pleated 100% thermally bonded polyester backed with expanded galvanised steel mesh. Flame retardant.

EU Grade: G3/EU3.

V line pleated panel filters 50mm metal frame

PART NUMBER	NOMINAL SIZE (")	ACTUAL SIZE (mm)	CAPACITY M ³ /HOUR
VM2-1212	12x12x2	292x292x45	767
VM2-1214	12x24x2	289x594x45	1561
VM2-1515	15x15x2	368x368x45	1219
VM2-1620	16x20x2	394x495x45	1755
VM2-1625	16x25x2	394x622x45	2206
VM2-1818	18x18x2	445x445x45	1782
VM21824	18x24x2	495x495x45	2379
VM2-2020	20x20x2	495x495x45	2205
VM2-2025	20x25x2	495x622x45	2771
VM2-2024	20x24x2	495x594x45	2646
VM2-2424	24x24x2	594x594x45	3176

V line pleated panel filters 95mm metal frame

PART NUMBER	NOMINAL SIZE (")	ACTUAL SIZE (mm)	CAPACITY M ³ /HOUR
VM4-1212	12x12x4	292x292x95	967
VM4-1224	12x24x4	289x594x95	1967
VM4-1515	15x15x4	368x368x95	1536
VM4-1620	16x20x4	394x495x95	2212
VM4-1625	16x25x4	394x622x95	2779
VM4-1818	18x18x4	445x445x95	2246
VM4-1824	18x24x4	495x495x95	2998
VM4-2020	20x20x4	495x495x95	2779
VM4-2025	20x25x4	495x622x95	3491
VM4-2024	20x24x4	495x594x95	3334
VM4-2424	24x24x4	594x594x95	4001



Panel Filters HEF Card



Description: This is a disposable panel filter.

Application: To filter supply air to sensitive electronic installations.

Frame: Water resistant card.

Media: Pleated 100% thermally bonded polyester backed with expanded galvanised steel mesh.

EU Grade: F7/EU7

HEF Panel Filters - Card Case 45mm

PART NUMBER	NOMINAL SIZE (")	ACTUAL SIZE (mm)	CAPACITY M ³ /HOUR
VH2-1212	12x12x2	292x292x45	691
VH2-1224	12x24x2	289x594x45	1405
VH2-1515	15x15x2	368x368x45	1097
VH2-1620	16x20x2	394x495x45	1580
VH2-1625	16x25x2	394x622x45	1985
VH2-2020	20x20x2	495x495x45	2205
VH2-2025	20x25x2	495x622x45	2494
VH2-2024	20x24x2	495x594x45	2382
VH2-2424	24x24x2	594x594x45	2858

HEF Panel Filters - Card Case 95mm

PART NUMBER	NOMINAL SIZE (")	ACTUAL SIZE (mm)	CAPACITY M ³ /HOUR
VH4-1212	12x12x4	292x292x95	767
VH4-1224	12x24x4	289x594x95	1561
VH4-1515	15x15x4	368x368x95	1219
VH4-1620	16x20x4	394x495x95	1755
VH4-1625	16x25x4	394x622x95	2206
VH4-2020	20x20x4	495x495x95	2205
VH4-2025	20x25x4	495x622x95	2771
VH4-2024	20x24x4	495x594x95	2646
VH4-2424	24x24x4	594x594x95	3176



Panel Filters HEF Metal



Above: The image is representative of style only.

Description: This is a disposable panel filter.

Application: To filter supply air to sensitive electronic installations.

Frame: Galvanised steel.

Media: Electrostatically charged cellulose based media backed with expanded galvanised steel mesh.

EU Grade: F7/EU7.

HEF Panel Filters - Galvanised Steel Case 45mm

PART NUMBER	NOMINAL SIZE (")	ACTUAL SIZE (mm)	CAPACITY M ³ /HOUR
VHM2-1212	12x12x2	292x292x45	721
VHM2-1224	12x24x2	289x594x45	1467
VHM2-1515	15x15x2	368x368x45	1146
VHM2-1620	16x20x2	394x495x45	1650
VHM2-1625	16x25x2	394x622x45	2073
VHM2-2020	20x20x2	495x495x45	2073
VHM2-2025	20x25x2	495x622x45	2605
VHM2-2024	20x24x2	495x594x45	2487
VHM2-2424	24x24x2	594x594x45	2985

HEF Panel Filters - Galvanised Steel Case 95mm

PART NUMBER	NOMINAL SIZE (")	ACTUAL SIZE (mm)	CAPACITY M ³ /HOUR
VHM4-1212	12x12x4	292x292x95	737
VHM4-1224	12x24x4	289x594x95	1499
VHM4-1515	15x15x4	368x368x95	1170
VHM4-1620	16x20x4	394x495x95	1685
VHM4-1625	16x25x4	394x622x95	2117
VHM4-2020	20x20x4	495x495x95	2117
VHM4-2025	20x25x4	495x622x95	2660
VHM4-2024	20x24x4	495x594x95	2540
VHM4-2424	24x24x4	594x594x95	3049



WATER FILTRATION



Water Housings and Replacement Cartridges.



Above: Standard shaped 10" water housing and string wound element.

PART NO.	BSP	DESCRIPTION
A1020120WPR	3/4"	10" Long clear plastic bowl with pressure relief
A1020150	1"	10" Long, clear plastic bowl
A1030090WPR	1/2"	5" Long assembly with pressure relief button
A1030110WPR	1/2"	10" Long Assembly with pressure relief valve
A1030111	1/2"	10" Long Water Filter Assembly, no relief valve
A1030150WPR	3/4"	10" Long Water Filter Assembly with Relief Valve
A1030160WPR	3/4"	20" Long Water Filter Assembly with Relief Valve
A1030190WPR	1"	10" Long Water Filter Assembly with Relief Valve
A1050010WPR	1"	Aquabig Assembly 10" Long with Relief Valve
A1050020WPR	1.5"	Aquabig Assembly 10" Long with Relief Valve
A1050040	1.5"	Aquabig Assembly 20" Long
A8030210	1/4"	Aqua-mini Water Assembly

PART NUMBER	MICRON	LENGTH (INCHES)	TYPE
EBC10M94	10	10	BLOWN POLYESTER
EBC25M94	25	10	BLOWN POLYESTER
EBC50M94	50	10	BLOWN POLYESTER
EBC75M94	75	10	BLOWN POLYESTER
SWC1M10A	1	10	STRING WOUND
SWC100M10A	100	10	STRING WOUND
SWC10M10A	10	10	STRING WOUND
SWC10M20A	10	20	STRING WOUND
SWC25M10A	25	10	STRING WOUND
SWC5M10A	5	10	STRING WOUND
SWC50M10A	50	10	STRING WOUND
SWC75M10A	75	10	STRING WOUND
AVS5M20	5	20	BLOWN POLYESTER
AVS10M20	10	20	BLOWN POLYESTER
AVS5M10	5	10	BLOWN POLYESTER
AVS10M30	10	30	BLOWN POLYESTER
WP100M10A	100	10	STRING WOUND
WP25M10A	25	10	STRING WOUND



Big Blue Housing – 20" Length



Above: Big Blue Housings 10" and 20" styles. Chunkier than the normal shaped housings.

All polypropylene filter housing suitable for 10 & 20 inch long filter cartridges up to 4 ½ inch diameter with double open ended knife edge seal fittings. The housing is supplied with a pressure release button in the cap. Inlet and outlet connections are BSP female threaded. Housings are usually supplied WITHOUT an element to suit. Maximum operating pressure 8 bar at 50 degrees Celsius.

Part number: A1050030 – 1" BSP PORTS 20" LONG

Part number: A1050040 – 1 ½" BSP PORTS 20" LONG

Also available to suit are:

Part number: AQACPN020020 – MOUNTING BRACKET

Part number: AQAC60100990 – BOWL SPANNER



Carbon Activated Elements



Above: GAC ELEMENTS

Carbon filters are used to take odours and bad tastes from water. They come in granulated carbon or as a solid carbon core filter. They are available as elements or inline filters. They are usually available from stock or within a couple of days otherwise.

GAC 9 – ACTIVATED CARBON GRANULES – 20 MICRON

A1CRO (GAC) - INLINE CARBON FILTERS

¼" female threads

PAC9 – BONDED CARBON ELEMENT

The difference between the GAC9 and PAC9 is as follows: GAC9 has two cylinders inner and outer separated by the carbon granule membrane. The water flows into the outer cylinder, through the carbon and out through the inner cylinder. The PAC9 has an outside-in flow like most normal cartridge/element style filters (due to its solid structure media.)

The GAC9 rattles when shaken (granules), the PAC9 doesn't (solid carbon core).



COOLANT FILTRATION



Coolant Filters



- Absorb Heat
- Circulate Coolant
- Control Coolant Temperature & dissipate heat

It is important to maintain the cooling system of your engine. Almost 40% of all engine problems are caused by badly maintained cooling systems. One way to keep your system running effectively is to make sure your filtration is correct to avoid wear and tear on the delicate parts in your cooling system.

Debris in the coolant system is common, which is a result of the manufacturing process and generated under normal operation, as well. It also occurs when dirty water is added or dirty vessels are used to top-up from, as well as generally from the environment during service.

Replacement Water Filters: Filter housings.

PART NO.	DESCRIPTION	STYLE	PORT SIZE	THREAD SIZE
204163S	WATER FILTER SPIN-ON HEAD	ALUMINIUM	3/8" NPT	11/16-16 UN-2B
215617S	DUAL WATER FILTER SPIN-ON HEADS	ALUMINIUM	1/2" NPT	11/16-16 UN-2B
256535S	FILTER HEAD MOUNTING BRACKET	-	-	-
257715S	WATER FILTER (204163S) AND BRACKET	ALUMINIUM	3/8" NPT	11/16-16 UN-2B
3904378S	SEVERE DUTY WATER FILTER HEAD	STEEL	3/8" NPT	11/16-16 UN-2B

Replacement Water Filters: Elements.

PART No.	THREAD	HEIGHT	OD	ADDITIVE - AMOUNT
WF2071	11/16-16UN-2B	105	94	DCA4 - 4 UNITS
WF2073	11/16-16UN-2B	137	94	DCA4 - 8 UNITS
WF2074	11/16-16UN-2B	137	94	DCA4 - 12 UNITS
WF2075	11/16-16UN-2B	137	94	DCA4 - 15UNITS
WF2076	11/16-16UN-2B	192	94	DCA4 - 23UNITS
WF2096	M16x1.5-6H (INT)	142	94	DCA2 - 4 UNITS
WF2104	11/16-16UN-2B	137	94	DCA4 - 15 UNITS



Coolant Additive



DCA4 Supplemental Coolant Additive (SCA) provides superior engine protection in heavy duty diesel applications where glycol based coolants are used, as well as marine and rail diesel applications where water is used as the coolant. DCA4 is less toxic and is preferred by those concerned about skin sensitivity and coolant spills or disposal.

DCA4 contains Nitrite and Molybdate for liner pitting protection and phosphate for acid protection.

The benefits of using this additive are:

- Provides improves cylinder liner pitting protection
- Provides improved aluminium and solder protection
- Less tendency to form gel in cooling system
- Improved tolerance to SCA under- or over-charging
- Phosphate buffers are less likely to cause water pump leakage
- Less toxic than Borate/Nitrite inhibitors

Spec	DCA4 SCA
Color	Blue
Specific Gravity	1.148
pH (undiluted)	10.5
ph (@ 3.1% by volume in deionized water)	10.6
Reserve Alkalinity (@ 3.1% by volume in deionized water)	2.3



MISCELLANEOUS FILTRATION

Air Brake Dryers
Oil Wetted Air Cleaners
Air/Oil Separators
Basket Strainers, Steel and PVC
Bespoke
Centrifugal Oil Cleaners
Compressed Air
Desiccant Breathers
Cellulose Media Rolls
Dinex Exhaust Components
Spark Arrestors
Draper Tools
Jacuzzi/Spa Filters
Magnetic Filters
Mesh Media
Seal Kits & O-Rings
Standard Ceramic Filters
Stihl Saw & Makita Disc Cutter Filters
Ford Transit Vans & Other Commercial Vehicles
Vacuum Pump Filters



Air Brake Dryers



Air dryer cartridges are the best possible protection for pneumatic braking systems. In the field of safety, brakes are amongst the most important components of a vehicle and dry, clean air is particularly important for the pneumatic braking systems on trucks and buses in order to protect the system from corrosion and malfunctions. Our range of air dryer filters solves this problem.

The advantages of the air dryer are:

- Highest possible resistance to pressure and pulsation
- Durable rigidity to vibration
- Premium quality desiccant with the highest possible drying performance, abrasion resistance, and water-resistance.
- Improved oil separation
- High quality sealing materials
- Great corrosion protection
- Best possible braking reliability

Maintaining at your normal service intervals is vitally important to the safety of you and your vehicles.



Oil Wetted Air Cleaners.



Above: L7145/3 & FL7145/4

Oil wetted air filters are simple to use housings that contain mesh media elements that are coated in a thin layer of oil to trap dust and debris particles. They are easy to install and the elements are washable many times before they need replacing.

	PART NUMBER	THROAT DIA.
ASSEMBLY	FL7146/7	99.5mm
ELEMENT	L7146/7	-
ASSEMBLY	FL7145/4	69.5mm
ELEMENT	L7145/3	-
ASSEMBLY	FL4116/52/2 (4303667012)	52mm
ASSEMBLY	FL3115/40	40mm

These housings and replacement elements are available at Sterling Filtration Ltd.



Air/Oil Separators: Housings and Elements

SEPARATOR ELEMENT

Part Number: 3-10668



Above: Image of 3-10668 (outer section – see overleaf for inner section)

ID: 405mm

OD: 480mm

Overall Height: 585mm

Lip Diameter: 602mm

This particular element is used on Sullair Compressors.

Various styles of air/oil separator are available from Sterling Filtration Ltd.



Air/Oil Separators: Housings and Elements

SEPARATOR ELEMENT

Part Number: 3-10669



Above: Image of 3-10669 (inner section – see previous page for outer section)

ID: 220mm

OD: 270mm

Overall Height: 428mm

Lip Diameter: 602mm

This particular element is used on Sullair Compressors.

Various styles of air/oil separator are available from Sterling Filtration Ltd.



Basket Strainers - Steel



Above: Basket Strainer housing, metal construction.

Hayward's Model 72 Simplex Strainer has been the industry standard simplex basket strainer for over 75 years. It's perfect for industrial and commercial applications where the line can be temporarily shut down for strainer basket cleaning or changeout. (Duplex units are available on request).

Features include:

- Quick open cover – no tools needed.
- Heavy wall construction
- Large capacity baskets
- Machined basket seat
- Threaded drain
- Perforated stainless basket

Options include:

- Basket perforations from 1/32" to 1/2"
- Basket mesh from 20 to 400
- Viton, PTFE-encapsulated, or EPDM seals
- Vent Valves
- 1/4" NPT taps
- Magnetic Basket inserts
- Pressure differential gauge and switch

There is no better simplex basket strainer available on the market.



Basket Strainers - PVC



Above: Basket Strainer housing, PVC construction.

Features include:

- External body threads
- Low pressure drop
- Wide choice of baskets
- In-line or loop piping design
- True union connections
- Ergonomic hand removable cover
- FPM seals
- Integral, flat mounting base
- Hand removable vent on cover
- Hand removable drain on body
- Liquid displacing cover

Options include:

- Plastic baskets in perforation sizes from 1/32" to 3/16"
- Stainless baskets in perforation sizes from 1/2" to 1/32"
- Mesh-stainless steel baskets for very fine straining in sizes 20 mesh down to 325 mesh
- Stainless steel mesh strainer baskets
- EPDM seals



Bespoke Elements



Above: A used sample is an ideal way to spec up an element and see if we can manufacture it if part numbers are not available.

At Sterling Filtration Ltd we can manufacture your filters to your specification. If you require air, hydraulic oil or basket strainers in cellulose, glass fibre or mesh that are unusual, obsolete or OE only we can manufacture a like for like replica.

In order to identify if this service is suitable for your needs we require one or more of the following items:

- A filter sample
- An accurate drawing with dimensions & operating specification
- An OEM part number



Bespoke Metal Panel Filters



SP 55095050A

3000CFM

950mm x 550mm x 50mm

Aluminium Frame

Aluminium Support centre (fitted both sides)

Aluminium Knitted Inner (Mesh media)

Handles fitted top and bottom for removal from housing

The panel can cope with moist air

Any sizes available bespoke. Please give us a call for more information.



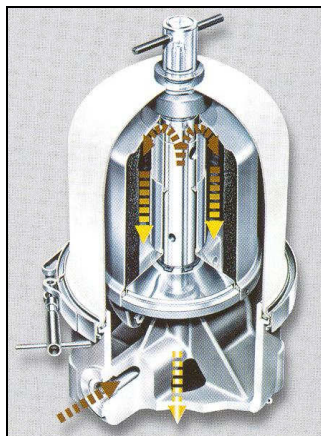
Centrifugal Oil Cleaners



The centrifugal product range available at Sterling Filtration Ltd provides high performance filtration solutions for partial-flow oil. The centrifuge efficiently separates dirt particles such as soot and abrasive particles in lube oils. This technology is also suitable for gearboxes, hydraulic systems and other industrial applications.

Advantages of using a centrifuge:

- Improved purity of the oil
- Extended oil service life & longer service intervals
- Reduced engine wear
- Preventative engine protection
- Reduced maintenance and disposal costs
- Less engine down-time
- Maximum availability for vehicles, engines and machinery.
- Improved combustion process and reduced fuel consumption
- Supports systems to minimise exhaust emissions (e.g. exhaust gas recirculation)
- They are an investment that quickly pays for itself





Compressed Air



Above: Compressed Air Cartridges

Sterling Filtration Ltd can offer compressed air filter elements for a number of manufacturers including Atlas Copco, Compair, Domnick Hunter, Ingersoll Rand, Ultrafilter, Deltech, Hiross, OMI and Zander.

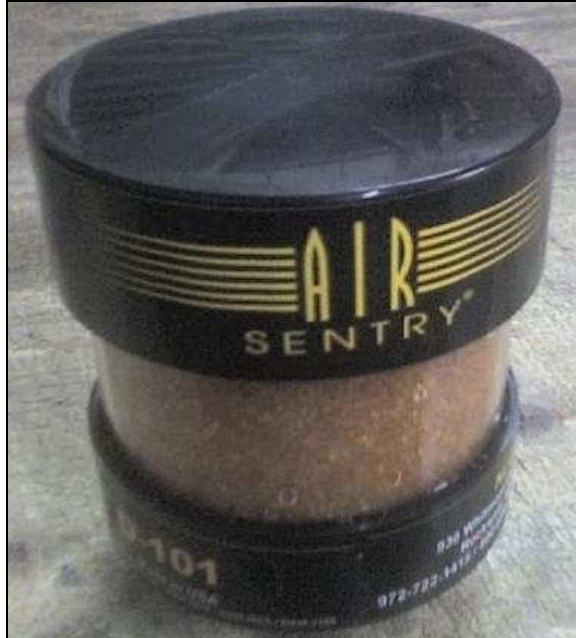
Our sourcing range offers in-line housings and elements for use in a variety of industries; auto, medical and textile. Our replacement elements include pre-filtering, general purpose, oil removal and activated carbon. These range between 5 and 0.01 micron filtration, depending on the requirements specified by the original manufacturer.

Our inline filter elements are made of borosilicate glass microfibre media that helps in removing solids, liquids, oil vapour and odour. Special impregnated open cell foam acts as an oil retainment barrier.

Our inline filter elements are designed to provide optimal performance while reducing maintenance time. Replacing compressor parts on a consistent basis will help ensure premium air quality in your compressed air system.



Desiccant Breathers



Above: A Desiccant Air Breather

A desiccant air breather will prevent moisture entering your hydraulic tank during operation by absorbing all of the moisture into its desiccant crystals. Over time the crystals change colour to indicate that they are being used up therefore notifying you of when it's time to service.

Available at Sterling Filtration Ltd are the following items:

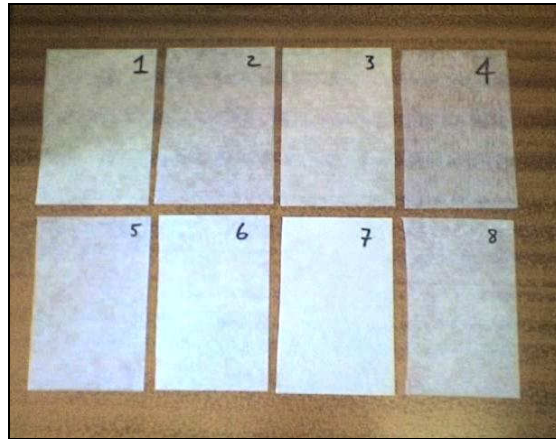
D101: This is our equivalent to a Descase DC3 & Vickers BR110. It filters at 3 microns and has a reversible flow (Inside-out/outside in) to allow the level of the tank to rise and fall smoothly.

D102: This is our equivalent to a Descase DC4. It also filters at 3 microns and has a reversible flow (Inside-out/outside in) to allow smooth drops and rises in the hydraulic tank level.

We also have a similar product which has an extended life. See the T.R.A.P. breathers on page 49 for more information.



Cellulose Media Rolls



Above: The various grades of cellulose media available.

Cellulose media rolls are commonly used beneath cutting machines to capture aluminium and metal swarf (sometimes washed away by suds or water). It can also be used in tanks and reservoirs to remove the larger debris from oil as it returns to the tank.

When ordering these items we need the following information:

- Core Size
- Width
- Roll Length
- Media Type (Samples are available for comparison purposes)

Several grades of media type, based on the level of filtration required, are available at Sterling Filtration Ltd.



Dinex Exhaust Components



We can offer you original Dinex exhaust components. Dinex have a very comprehensive range of exhaust system parts for commercial vehicles in Europe. They cover Trucks, Buses and vans including:

- MERCEDES
- VOLVO
- SCANIA
- DAF
- IVECO
- MAN
- RENAULT
- EVOBUS
- NEOMAN
- IRISBUS
- VW
- PEUGEOT
- CITROEN
- FORD
- FIAT

Parts available include:

- Zinc, Aluminized and Stainless Clamps:
- V Clamps
- Gaskets
- Flanges
- Rain and Stack Caps
- Bends and Elbows
- Pipe work and Tailpipes (Rigid or Stainless)
- Adaptors
- Bellows
- Spark Arrestors (see page 105 for our Donaldson range of Spark Arrestors)



Spark Arrestors.



Part Number	Inlet I.D. (mm)	Outlet I.D. (mm)	Body Dia. (mm)	Body Length (mm)	Overall Length
M045123	38	32	111	121	213
M060038	38	38	152	95	241
M060037	51	51	152	127	283
M065030	64	64	168	159	330
M070068	76	76	178	194	372
M070069	89	89	178	229	419
M080024	102	102	203	270	461
M090091	127	127	229	298	527
M100016	152	152	254	340	597

The general rule with spark arrestors is if it will fit on the exhaust pipe of an engine, it will also have an acceptable back pressure for that engine. In some cases, a larger size spark arrestor will be required to stay within backpressure limits, and in those cases adapters will have to be used.

Servicing

The spark arrestor should be inspected and cleaned out every 1,000 operating hours or three times per season. Visually inspect for holes, cracks and metal corrosion. Check the mounting clamp to make sure the spark arrestor is securely mounted. Replace the spark arrestor if your inspection reveals any of the above unsafe conditions.

Notes

- US Forest Service approved
- Reduced fire hazard – 95% or greater efficiency on incendiary sparks
- Centrifugal force separates solids from exhaust gas
- Aluminized steel with stainless steel critical parts
- Can be installed vertically or horizontally (If possible, the clean out should face away from all fuel tanks, the vehicle operator’s position and the air cleaner inlet.)



Draper Tools



The Draper Expert Range of tools available from stock at Sterling Filtration Ltd includes:

- Filter Wrenches and Filter Straps
- Grease guns
- Barrel pumps
- Toolboxes
- Socket Sets
- Tape measures and movable spanners





Jacuzzi/Spa Filters

Sterling Filtration Ltd can offer a range of filters for Spa's and Jacuzzi baths.

PART NUMBER	HEIGHT mm	OD mm	ID mm
EAP17000	170	120	1-5/8 UNF/0
EAP20000	200	105	-
EAP20001	200	165/75	119/0
EAP20200	202	108	53
EAP20201	202	152	65
EAP24000	240	220	104
EA23410PCN	248	68.8	27
EA23420PCN	248	68.8	27
EA23450PCN	248	69.8	27
EAP24800	248	120	1-5/8 UNF/0
EAP24801	248	178	76
EAP25000	250	178	76
EAP25001	250	252	143
EA25410PCN	254	69.8	27
EA25450PCN	254	69.8	27
EA25405PCN	254	69.8	27
EAP30000	300	115	52
EAP30001	300	126	53
EAP30002	300	145	56
EAP32000	320	178	44-52/0
EAP33800	338	220	104
EAP34000	340	126	52
EAP34001	340	126	53
EAP35500	355	200	75
EAP36000	360	252	143
EAP46000	460	220	104
EAP49200	492	175	87
EA49450PCN	495	69.8	27
EAP49500	495	252	143
EAP49800	498	178	76
EAP50000	500	178	76
EAP56200	562	200	75
EAP56201	562	200	75
EAP57000	570	178	44-52/0
EAP60000	600	145	56
EAP65300	653	220	104
EA74450PCN	743	69.8	27
EAP74500	745	175	87
EAP74501	745	178	76
EAP74502	745	178	76
EAP79500	795	220	104
EAP81200	812	178	44-52/0
EAP87500	875	220	104



Magnetic Filters



**MM5
5
INCH**



**MM10
10
INCH**



**MM20
20
INCH**

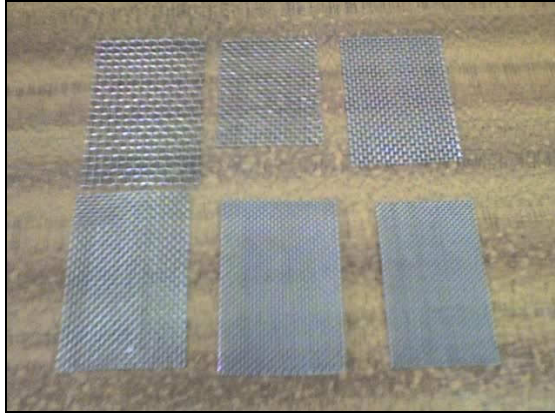
Sub micron & Magnetic particle capturing solutions

- * COMPACT DESIGN
- * SUB-MICRON FILTRATION
- * QUICK CLEANING
- * NO LOSS OF FLUID
- * NO LINE PRESSURE INCREASE
- * NO MAINTENANCE

These magnetic filter housings are capable of attracting submicron magnetic particles, such as abrasive steel from drilling or boring, and can be utilised on inline pressure feed lines as well as gravity fed systems. Grinding, honing, lapping, boring and fine detail machining operations can all benefit from use of this technology. Available with port connections of $\frac{3}{4}$ ", 1", 1 $\frac{1}{2}$ ", 2" and 2 $\frac{1}{2}$ ".



Mesh Media



Mesh media is available in various cut sizes or 2m x 1m sheets in:

- perforated stainless steel,
- perforated mild steel,
- perforated galvanised steel,
- perforated stainless steel 304,
- perforated aluminium 99.5,
- perforated brass,
- perforated copper,
- woven wire cloth (in stainless steel grade 304/316)
- woven wire cloth (in brass)
- welded wire mesh (in stainless steel grade 304)



Seal Kits & O-Rings



Above: A selection of the gasket seals available.

Gasket seals are serviceable parts and are vital to maintain the efficient operation of your filters, and avoid leaks. Sterling Filtration Ltd stocks a range of replacement gasket seals, for head to bowl and head to filter applications. We also stock Service kits for Separ SWK2000's and metal gaskets for Deutz mufflers. We can also supply cork gasket upon request.

Parts displayed above include:

- Deutz Metal Seals – Part No: 4157247
- Back Up Ring: Fairey Arlon 300 Series - Part No: FF3142
- SWK2000-10HNBR Service Kit – Part No: 10528
- Seal for B10AL Fuel Housing – Part No: VO95MM
- Head to Bowl Seal: Fairey Arlon 200 Series – Part No: FF2104-235-70
- Head to Bowl Seal: Donaldson K030288 Hydraulic Housing



Standard Ceramic Oil Filters.



Above: A Standard Ceramic Oil Filter

Ceramic Oil filters are an older technology but still used in some industrial applications. They are available through Sterling Filtration Ltd in two standard sizes, these items are:

Size 1

Length 10"

OD: 2"

ID: 1 ¼"

Size 2

Length 10"

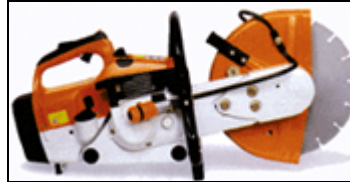
OD: 4"

ID 3"

Some non-standard ceramic oil filters are available by manufacture but tooling charges usually apply. Minimum order quantities apply on all ceramic filters.



Stihl Saw and Makita Disc Cutter Filters



TS350

OUTER – Part Number SA11112
INNER – Part Number SA11113
PRE-FILTER WRAP – Part Number SA11114

TS360

OUTER – Part Number SA11112
INNER – Part Number SA11115
PRE-FILTER WRAP – Part Number SA11114

TS400

FILTER ELEMENT – Part Number SA12212
FOAM PRE-FILTER – Part Number SA22212
SCREEN – Part Number SA12219

Replacement pre-filters and filters for Makita, Partner, Husqvarna, Dolmar & Kango power & hand tools also available on request.



Above: SA22126 foam filter for a Stihl cutter



Ford Transit Vans & Other Light Commercial Vehicle Filters

Replacement filters for your commercial vehicles are available at Sterling Filtration Ltd.

FORD TRANSIT CONNECT

AIR	LX798
OIL	SO7107
FUEL	5060
CABIN AIR	SC5049

ESCORT VANS (1.8 DIESEL)

AIR	SA1465
OIL	SO577
FUEL	SN001

FIESTA VANS (1.8 DIESEL)

AIR	9296
OIL	SO577
FUEL (BOSCH)	KL99
FUEL (LUCAS)	SN001

TRANSIT 2.5D (MILLENNIUM)

AIR	SA6068
OIL	SO11042
FUEL	SN70214

TRANSIT 2.5D (1999)

AIR	SA1457
FUEL	SN70156
OIL	SO7107

TRANSIT 2.5D (PRE-1999)

AIR PANEL	SA1457
FUEL	SN525
OIL	SO7107

MERCEDES SPRINTER 312D

AIR	SA5064
AIR PANEL	SC50007
OIL	SO7035
FUEL	SN532

TRANSIT 2.2 TDCi & TRANSIT 2.4 TDCi

AIR	AG1698
FUEL	FSM4255
OIL	SO905

Other makes and models of commercial vehicle filters are available on request.



Vacuum Pump Filters



The airtight vacuum air cleaners available at Sterling Filtration Ltd are designed for installation in air and gas pipes. They are airtight up to 1000 mbar negative pressure and equipped with a filter element. They are also used as intake filters in vacuum pumps. A wide range of replacement elements are also available.

Housing Part No.	Element	Inlet	Outlet	Weight KG
4500972105	C75	G 3/4	G 3/4	0.8
4502172105	C1112	G 1	G 1	1
4502172125	C1112	1 1/4 NPT	1 1/4 NPT	1
4502172305	C1112	DN 40 KF	DN 40 KF	1
4503772105	C1337	G 1 1/2	G 1 1/2	1.5
4503772135	C1337	1 1/4 NPT	1 1/4 NPT	1.5
4503772305	C1337	DN 40 KF	DN 40 KF	1.5
4512472104	C15124/1	G 2 1/2	G 2 1/2	4.3
4512472114	C15124/1	2 1/2 NPT	2 1/2 NPT	4.3
4512472305	C15124/1	DN 50 KF	DN 50 KF	4.3
4513872105	C21138/1	G4	G4	14.5

Element	OD mm	ID mm	HEIGHT mm
C75	65	38	69.5
C1112	98	60/60	70
C1337	128	64.1/64.1	125
C15124/1	150	88/88	222
C21138/1	212	145/145	163.8

Two ID measurements denotes top and bottom measurements (open both ends)



APPENDICES

[Appendix 1: Main Suppliers to Sterling Filtration Ltd](#)

[Appendix 2: On & Off Highway, Compressors, Gensets, Agriculture, Forestry & Diesel Train Applications.](#)

[Appendix 3: Glossary of Terms & Conversions](#)

[Appendix 4: Contacting Sterling Filtration Ltd](#)

[Appendix 5: ISO Certification](#)

[Appendix 6: Alphabetical Index](#)

[Appendix 7.1: Credit Account Application Form](#)

[Appendix 7.2: Terms & Conditions](#)



Appendix 1: Main Suppliers to Sterling Filtration Ltd

- Baldwin
- Coopers
- Crosland
- Donaldson
- Draper
- Fleetguard
- Hi Fi
- Hydac
- Mahle
- Mann & Hummel
- MP Filtri
- Parker
- Stauff





Appendix 2: On & Off Highway, Construction, Compressors, Gensets,
Agriculture, Forestry & Diesel Train Applications.

- Adtranz
- Airmann
- Akermann
- Alstom
- Ammann
- Atlas Copco
- Ausa
- Aveling Barford
- Becker
- Bell
- Benford
- Blaw Knox
- Bobcat
- Bomag
- Bombardier
- Broomwade
- Carrier Transcold
- Case
- Caterpillar
- Ceccato
- Clark
- Climax
- Coles
- Compair-Holman
- Daewoo
- DAF
- Demag
- Dorman
- Dynapac
- Ecoair Gardner Denver
- ERF
- FAI
- Fendt
- Fiat
- Foden
- Ford
- Fuchs
- Furakawa
- Genie
- Groves
- Hamm
- Hanix
- Hanomag-Henschel
- Hatz
- Hiab
- Hino
- Hitachi
- Honda
- HPC
- Hydrema
- Hydrovane
- Hymac
- Hyster
- Hyundai
- Ingersoll-Rand
- Iseki
- Iveco MAN
- J.C.B.
- JLG
- John Deere
- Kaeser
- Kalmar
- Kato
- Kobelco
- Komatsu
- Krupp
- Kubota
- Lancer Boss
- Liebherr
- Linde
- Manitou
- Massey Ferguson
- Matbro
- Melroe
- Mercedes-Benz
- Mitsubishi
- Moxy
- New Holland
- Nissan
- O&K
- Palfinger
- Pel-Job
- Poclairn
- PPM
- Renault
- Samsung
- Sanderson
- Sauer Sundstrand
- Scania
- Schaeff
- Sennebogen
- Simon
- Skyjack
- Still
- Sullair
- Tadano
- Takeuchi
- Tamrock
- TCM
- Terex
- Thermo-King
- Thwaites
- Toyota
- Volvo
- Wacker
- Wirtgen
- Yale
- Yanmar
- Zetor



Appendix 3: Glossary of Terms & Conversions

Glossary of Terms

Holding Capacity: The volume of contaminant a filter element can hold before reaching maximum pressure drop or restriction.

Efficiency: Degree to which the filter element will perform to remove contaminant from the incoming air stream.

Pascal: The SI unit to express a pressure, to be used instead of mm H₂O.

1mm H₂O = 9.80665 Pa.
1000 Pa = 1kPa (kilopascal).
100 Pa = 1 mbar.
10Pa = 1 daPa.

Pressure Drop: The difference in pressure between two points, generally between the inlet and outlet of an air cleaner. To be measured in Pascal.

Restriction: The resistance of the engine airflow caused by the air cleaner system. To be measured in Pascal. Can also refer to oil flowing through a hydraulic housing.

CFM: Cubic Feet per Minute - used describing flow rates through air cleaner housings and exhausts.

Conversions

Inches to millimetres: x 25.4

PSI to Bar: ÷ 14

Cubic Yards – Cubic Metres: x 0.76455

Gallons to Litres: x 4.55

Litres to Gallons: X 0.22



Appendix 4: Contacting Sterling Filtration Ltd

STERLING FILTRATION LTD

UNITS 2-4

MEADWOOD INDUSTRIAL ESTATE

BILSTON

WEST MIDLANDS

WV14 0ST

UNITED KINGDOM

TEL: 01902 491118

FAX: 01902 491119

EMAIL: sales@sterlingfiltration.co.uk

ONLINE ENQUIRY: <http://www.sterlingfiltration.co.uk/enquiry.html>



Appendix 5: ISO Certification



Certificate of Registration

QUALITY MANAGEMENT SYSTEM - ISO 9001:2000

This is to certify that:

Sterling Filtration Limited
Units 2-4
Meadwood Industrial Estate
Bath Street
Bilston
WV14 0ST
United Kingdom

Holds Certificate No: **FS 54157**

and operates a Quality Management System which complies with the requirements of ISO 9001:2000 for the following scope:

The stockholding and supply of industrial and commercial filtration equipment from quality assured and non quality assured sources without lot traceability.

For and on behalf of BSI:

Managing Director, BSI Management Systems (UK)

Originally registered: 20/03/2000

Latest Issue: 13/10/2008

Expiry Date: 27/09/2010



Page: 1 of 1



This certificate was issued electronically and remains the property of BSI and is bound by the conditions of contract. An electronic certificate can be authenticated [online](#). Printed copies can be validated at www.bsigroup.com/ClientDirectory

The British Standards Institution is incorporated by Royal Charter. Management Systems (UK) Headquarters: P.O. Box 9000, Milton Keynes MK14 6WT. Tel: 0845 080 9000



Appendix 6: Alphabetical Index

- About Sterling Filtration – 3
- Air Brake Dryers – 92
- Air-Oil Separation – 94, 95
- Bag Filters – 67, 68, 69, 70, 71
- Basket Strainers (PVC) – 97
- Basket Strainers (Steel) – 96
- Bespoke Elements – 98
- Bespoke Metal Panel Filters – 99
- Carbon Activated Elements – 87
- Cellulose Media Rolls - 103
- Centrifugal Oil Cleaners – 100
- Ceramic Filter Elements – 111
- Commercial Vehicles – 113
- Common Air Filters – 12
- Common Fuel Filters – 33
- Compressed Air - 101
- Coolant Additive – 90
- Coolant Filters – 89
- Delphi Fuel Housings – 36
- Desiccant Breathers – 102
- Dinex - 104
- Donaldson Air Cleaners – 18, 19, 20, 21
- Draper Tools – 106
- Duralite – 13, 14
- Engine Oil – 30, 31
- Europiclon Air Cleaners – 16, 17
- Filter Media – 72, 73, 74, 75, 76, 77, 78
- Fleetguard Diesel Pro – 39, 40, 41, 42
- Fleetguard Superfilter Plus – 46
- Fuel Additive – 47
- Fuel Filter Head Assemblies – 38
- Fuel Tank Storage Housing – 37
- Hydraulic Fluid Level/Temp Gauges – 64
- Hydraulic Oil Testing – 63
- Hydraulic Service Indicators – 65
- Hydraulic: Filler/Tank Breathers – 49
- Hydraulic: High Pressure Housing – 53, 54
- Hydraulic: Return Line Housings – 55, 56, 57, 58
- Hydraulic: Suction Strainers – 51, 52
- Hydraulic: T.R.A.P. Breather - 50
- Identifying Filters – 5
- In-line Fuel Filters – 34
- Jacuzzi/Spa Filters – 107
- Magnetic Filters - 108
- Mesh Media – 109
- Methods of Despatch – 4
- Mounting Bands (Metal) – 25
- Mounting Bands (Plastic) – 24
- Oil Wetted Air Cleaners – 93
- Panel Filters – 79, 80, 81, 82, 83
- Parker Moduflow - 59
- Parker Racor Fuel Elements – 43
- Portable Filtration – 60, 61, 62
- Powercore – 15
- Pre-cleaners – 10, 11
- Rain Caps – 22
- Returns Policy - 6
- Rubber Elbows – 26
- Rubber Reducing Elbows – 27
- Seal Kits & O-Rings – 110
- Separ Fuel/Water Separators – 45
- Sources – 7
- Spark Arrestors - 105
- Stanadyne Fuel Housings – 35
- Stihl & Makita Saws – 112
- Torit Elements – 28
- Vacuator Valves – 23
- Vacuum Pump Filters - 114
- W.A.S.P. Fuel/Water Separators – 44
- Water Housings & Cartridges – 85, 86



Appendix 7.1: Credit Account Application Form

Filtration products for: heavy plant, industrial applications, commercial vehicles and agricultural equipment.



CREDIT ACCOUNT APPLICATION

Company Name:

Sterling Filtration Ltd.

Units 2-4, Meadwood Industrial Estate, Bilston, West Midlands, WV14 0ST

Web: www.sterlingfiltration.co.uk

Email: sales@sterlingfiltration.co.uk

Tel: 01902 491118 **Fax:** 01902 491119

PLEASE SUBMIT A COPY OF YOUR LETTERHEAD WITH YOUR APPLICATION

Trading Address (including Post Code):	Registered Address (if a Limited Company):
Delivery Address (if different from above):	Invoice/Statement Address (if different):
Nature of Business:	Parent Company (if any):
No. of Employees:	Country of Registration:
Turnover PA (£):	VAT Reg. No:
Name of Payments Contact:	Tel No: Fax No: E-mail:

PLEASE SUPPLY TWO CREDIT REFERENCES	
Reference 1: Company Name and Address:	Reference 2: Company Name and Address:
Tel No: Fax: E-mail:	Tel No: Fax No: E-mail:

Estimated Purchases: £_____ per month

I/We note your Terms and Conditions of Sale and agree to all the clauses and will pay for any goods/services supplied by you in accordance therein.

Customers Signature: _____ Name: _____
 Position: _____ Date: _____

(Office Use Only)

Account No: Credit Limit: £ _____ Opened By: _____ Date: _____



Registered Office: Unit 3, Meadwood Industrial Estate, Bilston, West Midlands, WV14 0ST

Registered in England: No. 3226779 **ISO:** ISO 9001:2000 Registered with BSI **Certificate Number:** FS54157



Appendix 7.2: Terms and Conditions

Filtration products for: heavy plant, industrial applications, commercial vehicles and agricultural equipment.



Sterling Filtration Ltd.

Units 2-4, Meadwood Industrial Estate, Bilston, West Midlands, WV14 0ST

Web: www.sterlingfiltration.co.uk

Email: sales@sterlingfiltration.co.uk

Tel: 01902 491118 **Fax:** 01902 491119

TERMS AND CONDITIONS

TERMS AND CONDITIONS OF TRADING:

- Minimum individual order value of £25.00.
- Goods remain the property of Sterling filtration Limited until payment is received in full.
- VAT is chargeable at the ruling rate at the time of invoice.
- Standard packaging materials are provided free of charge. Any special packaging requirements are chargeable at cost.
- Payment for first order will be by cheque or credit card against pro-forma invoice.
- Payment for credit accounts: 30 days from the end of the month of invoice.
- Prompt Payment Discounted Price: 1.25% discount for payment within 7 working days of receipt of goods.
- Please refer to our full terms and conditions available online at www.sterlingfiltration.co.uk or you can request electronic or hard copies.

CARRIAGE CHARGES:

- Current charge is £9.00 net, next day service.
- We reserve the right to vary our carriage charges as necessary.

If you are in agreement with these terms, please sign below and return a copy of this sheet with the Credit Application Form

SIGNED: PRINT NAME:

DATE: POSITION:

COMPANY:



Registered Office: Unit 3, Meadwood Industrial Estate, Bilston, West Midlands, WV14 0ST

Registered in England: No. 3226779

ISO: ISO 9001:2000 Registered with BSI

Certificate Number: FS54157