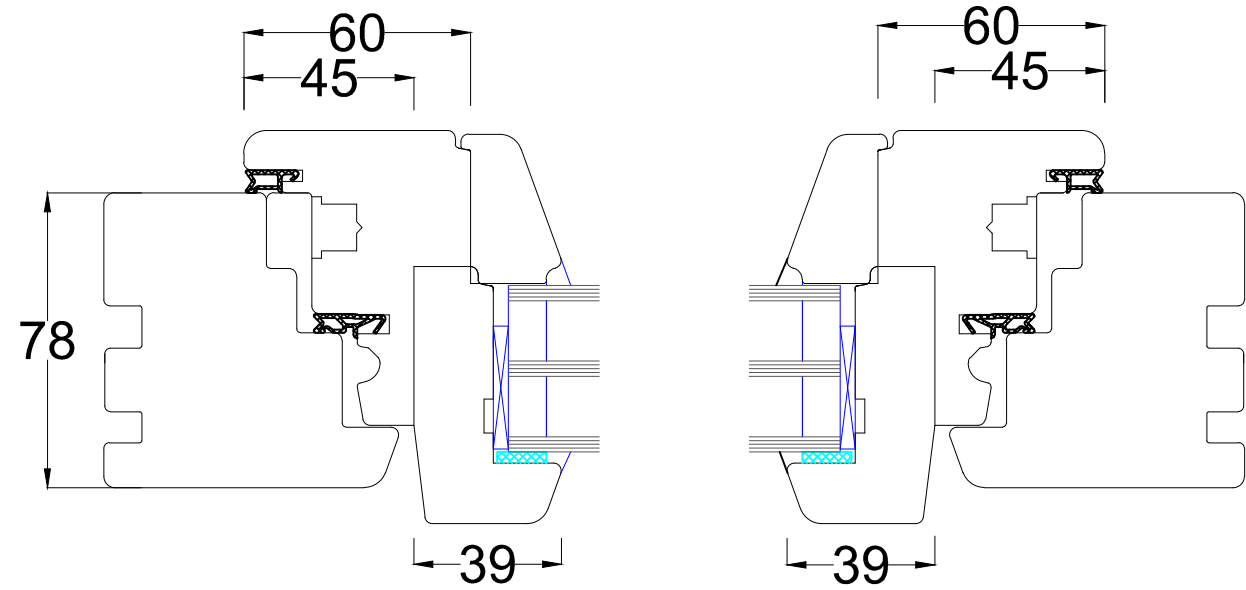
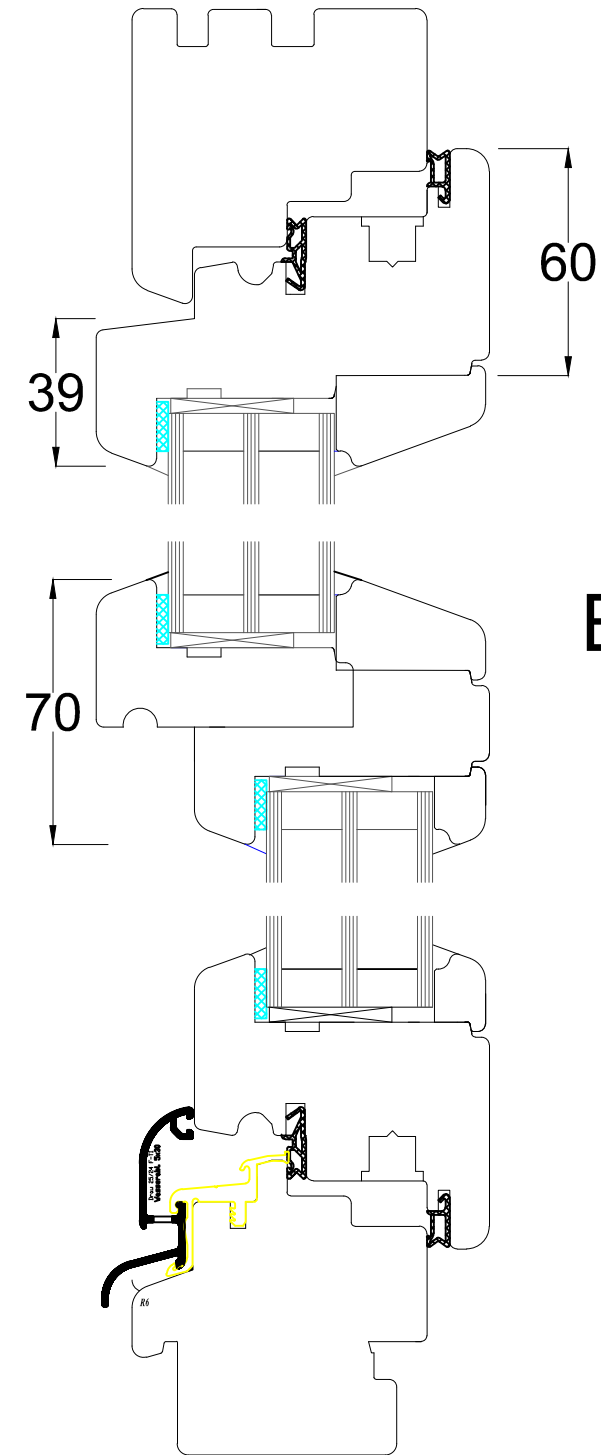


PERFORMANCE: Mock Sash Tilt and turn

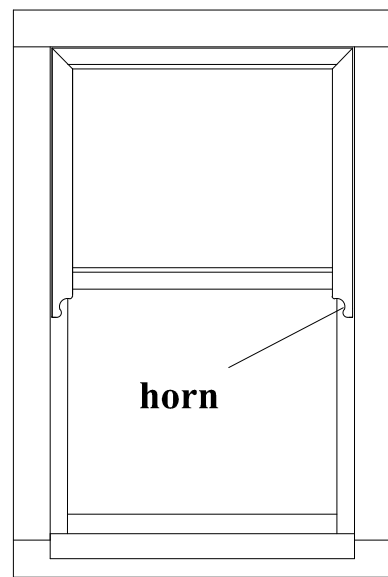
internal



External



External



View from outside

General Notes

DO NOT SCALE
Retention of Copyright: Environmental Construction Products Ltd retain the copyright of this document. Environmental Construction Products Ltd license the Purchaser to use and copy this document only for the Purchaser's own purposes subject to our Standard Conditions of Sale and to payment of all invoices according to agreed terms.

Performance Windows
Inward opening

01 Performance Windows 78mm

No. Drawing Title

green building store
Green Building Store
Heath House Mill,
Heath House Lane,
Golcar, Huddersfield
HD7 4JW
Tel: 01484 461705
Email: info@greenbuildingstore.co.uk