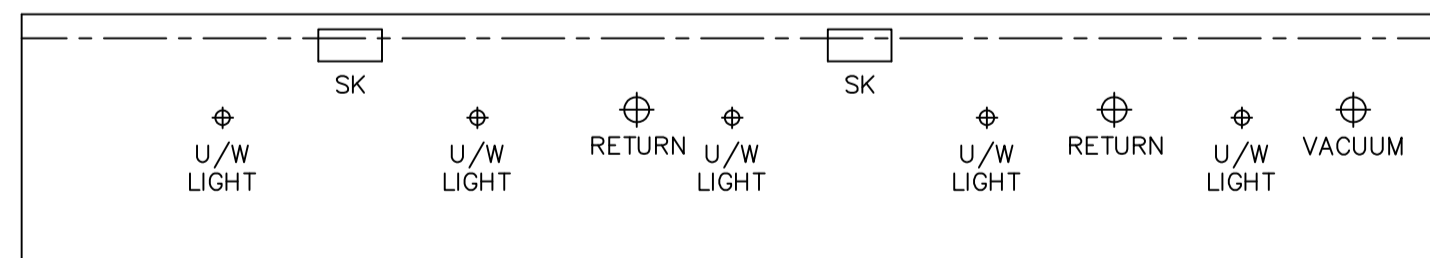
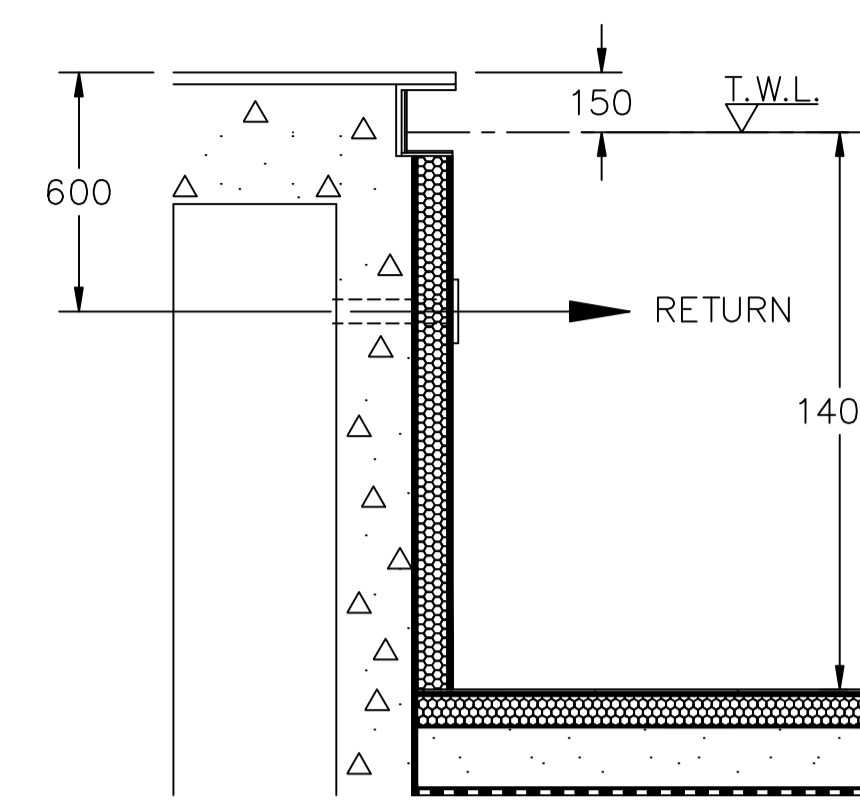


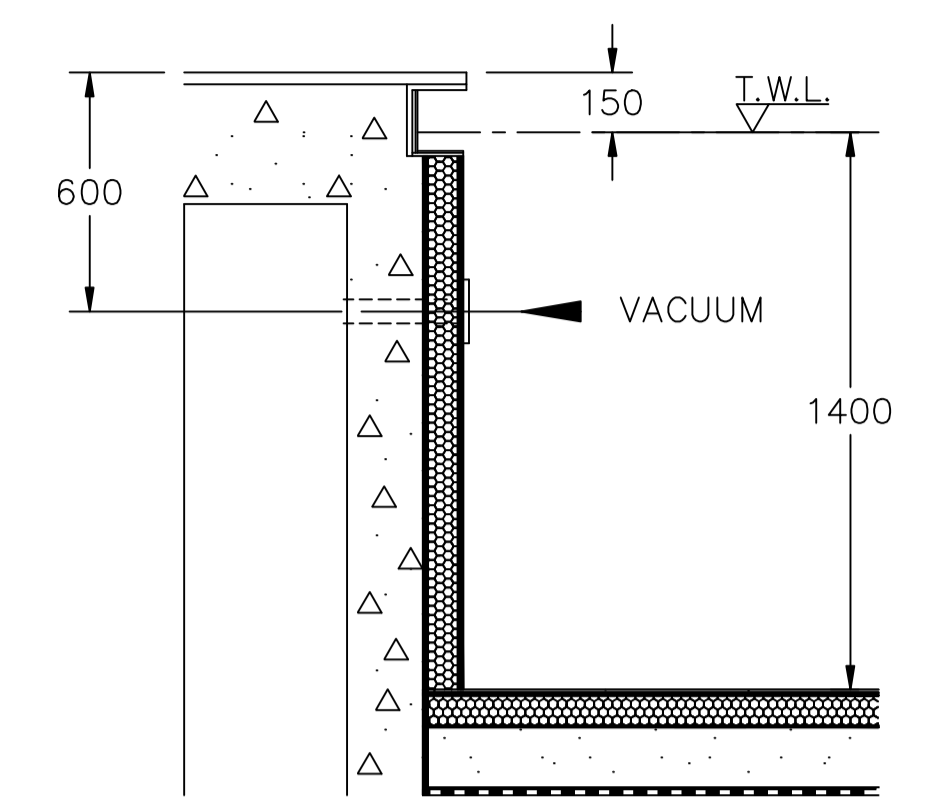
HOUSE '2'
BASEMENT FLOOR PLAN
Scale 1:50



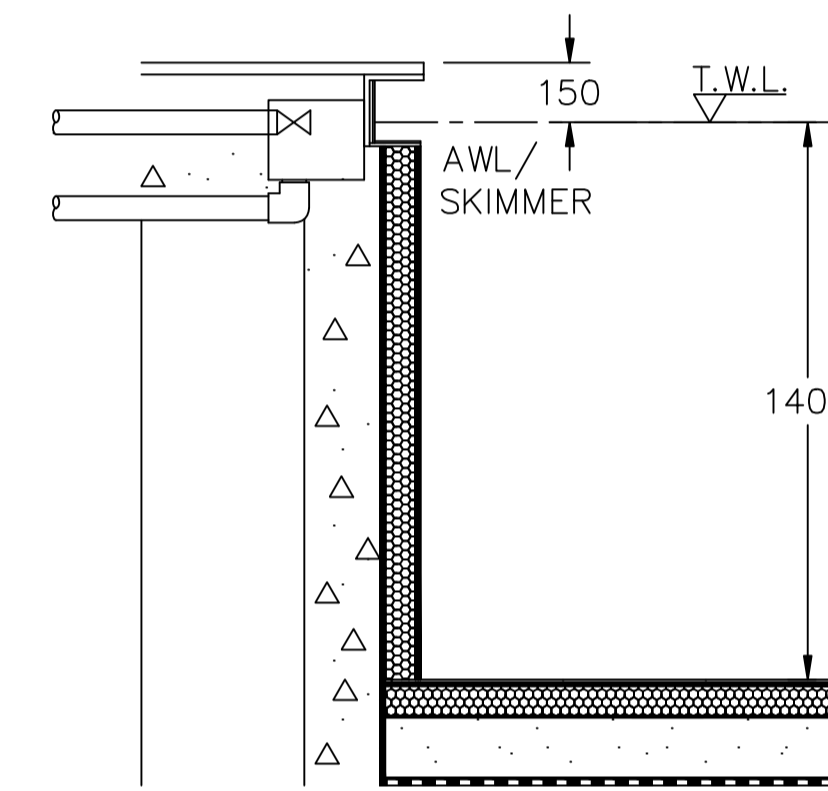
VIEW ON 'A'
FROM INSIDE OF POOL



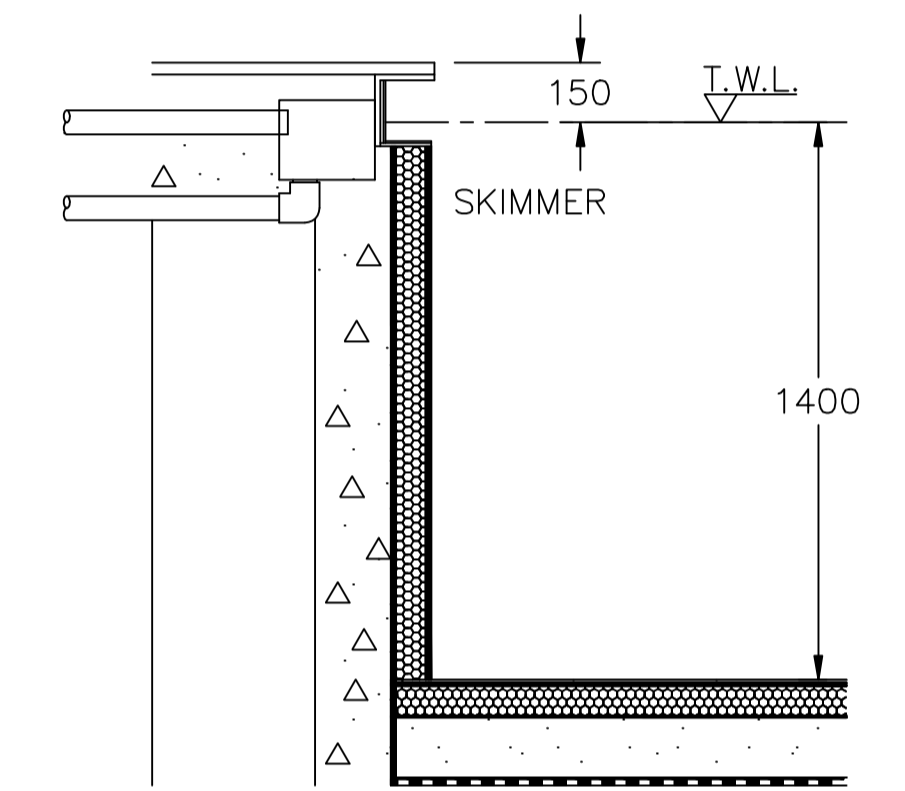
RETURN DETAIL
Scale 1:20



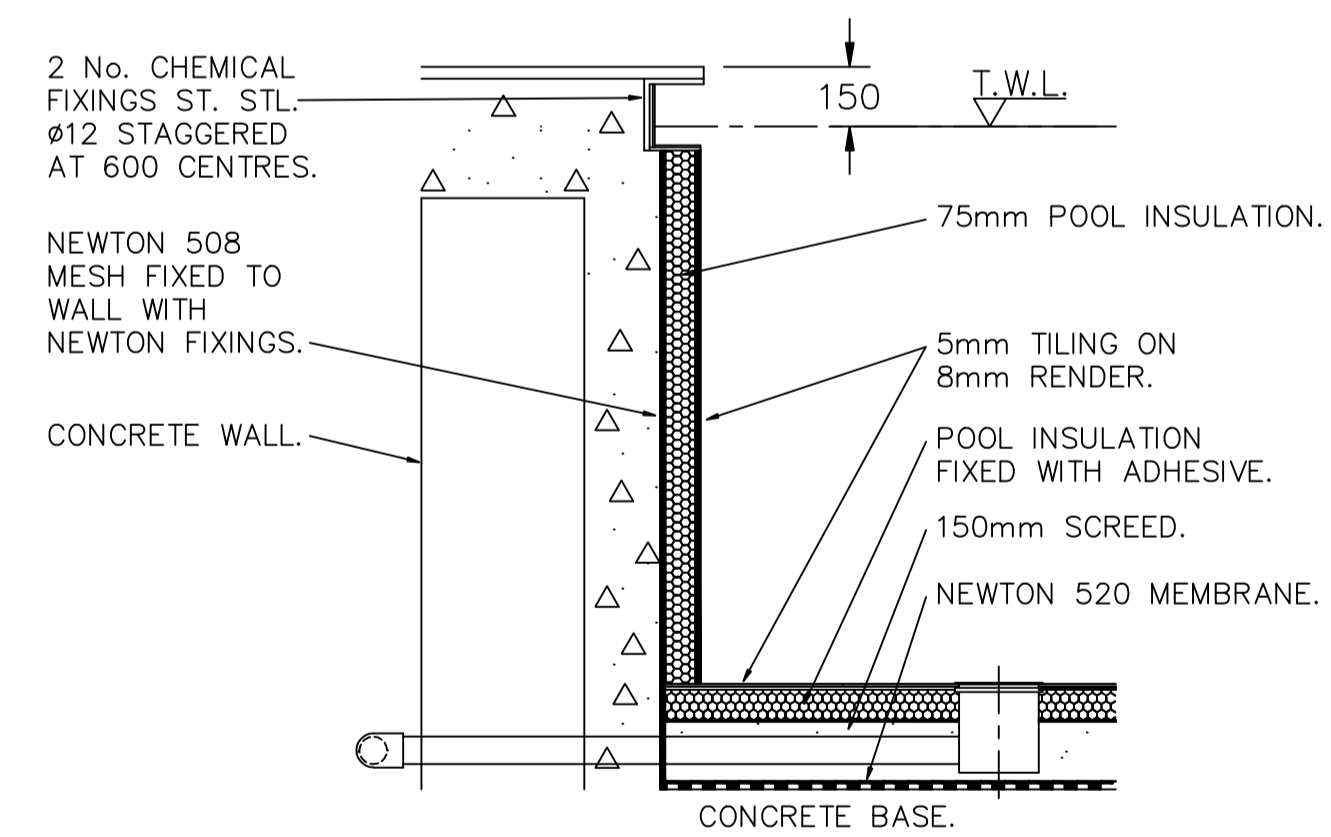
VACUUM DETAIL
Scale 1:20



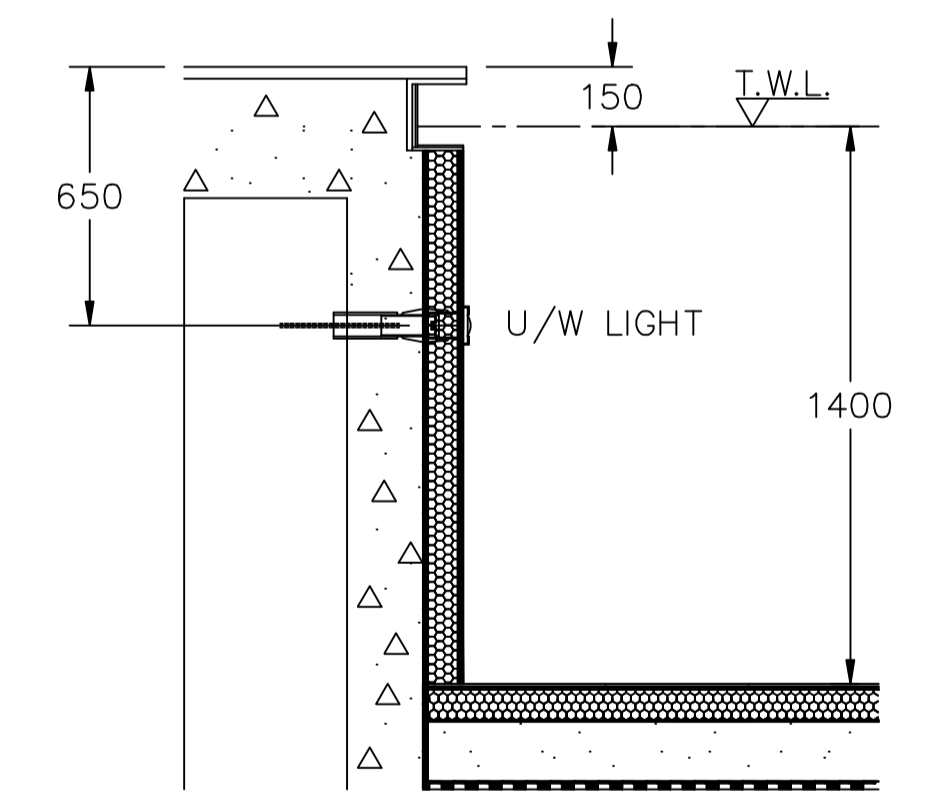
AUTO WATER LEVEL DETAIL
Scale 1:20



SKIMMER DETAIL
Scale 1:20



WALL DETAIL WITH SUMP
Scale 1:20



UNDER WATER LIGHT DETAIL
Scale 1:20

		KINGFISHER POOLCARE LTD		Client Site	
		Unit 4, Station Yard Industrial Estate Adderbury, Banbury Oxon, OX17 3HJ		Drawing Title TYPICAL BASEMENT POOL WALL DESIGN 2	
		Tel No. (01295) 810666 Fax No. (01295) 811432		Scale 1:50 Based On	
A PJS FIRST ISSUE				Date	
REV. DRAWN DESCRIPTION		DATE CHK'D		Drawn By PJS	
				Rev. A	