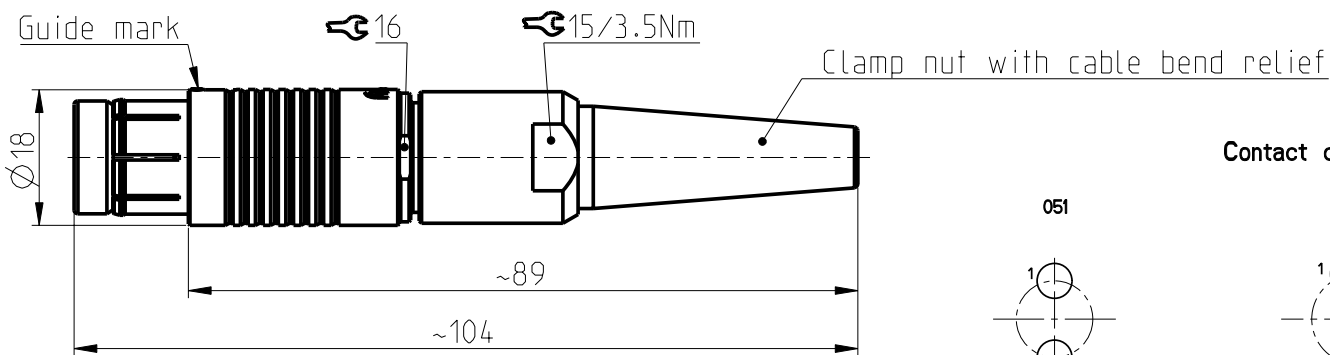
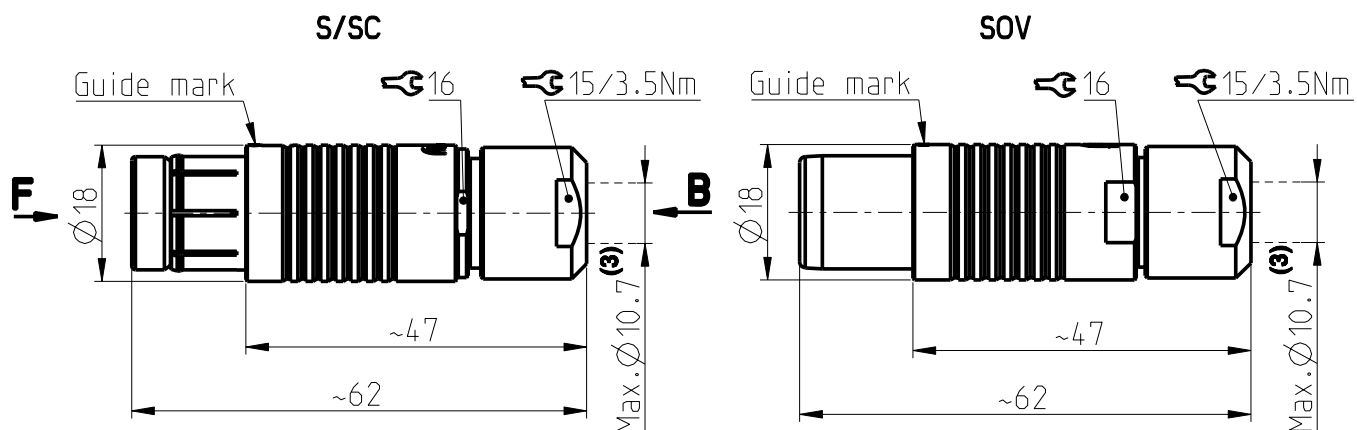


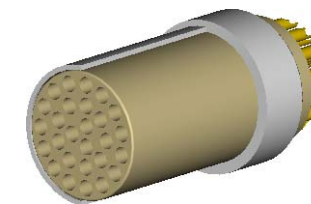
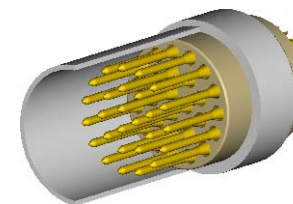
# S/SC/SOV 105 Multipole Plugs

All dimensions see note 1)



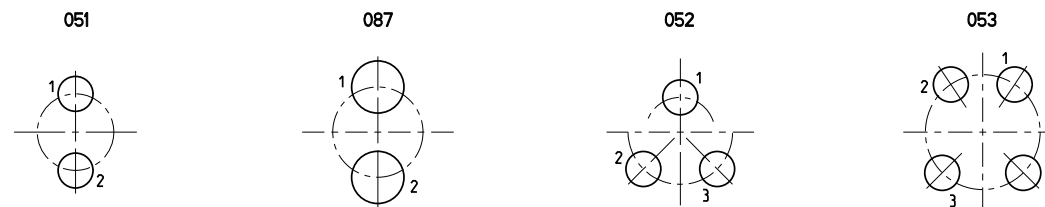
Contact polarity A

Contact polarity Z

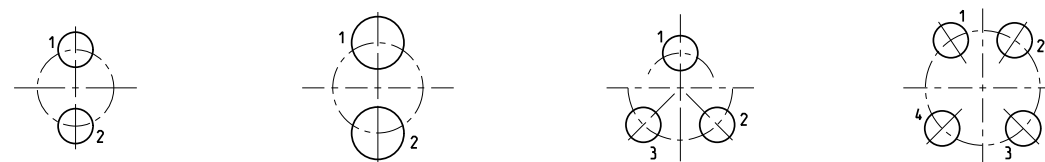


CONTACT CONFIGURATION	Contacts	Solder cup $\varnothing$	Crimp cup $\varnothing$
105 A Z 051	2	2.03	-
105 A Z 087	2	2.93	-
105 A Z 052	3	2.03	-
105 A Z 053	4	2.03	-

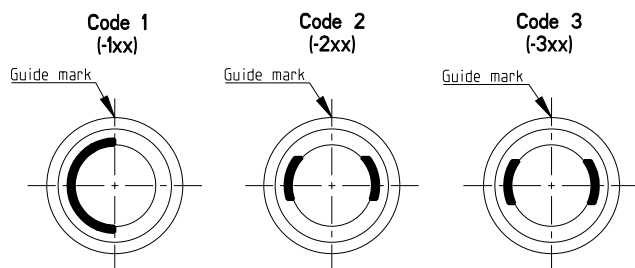
Contact configuration for polarity A (View from B)



Contact configuration for polarity Z (View from B)



Keying codes (View from F)



All dimensions in mm

600498

Rev.

2

Pages

1/4

Notes :

1) All tolerances resulting from connector assembly are typically  $\pm 0.3\text{mm}$

2) For optimum crimping refer to available crimping manual.

3) Max  $\varnothing 10.5\text{mm}$  with unshielded clamp set.

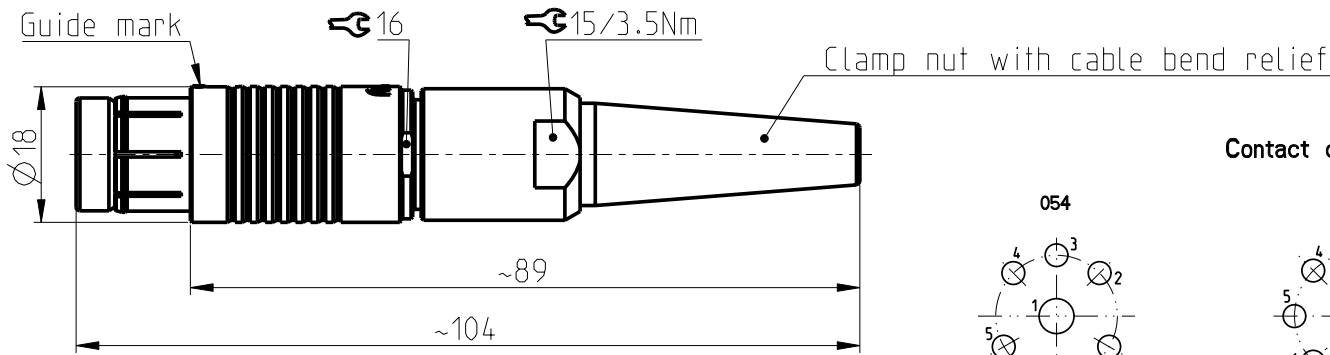
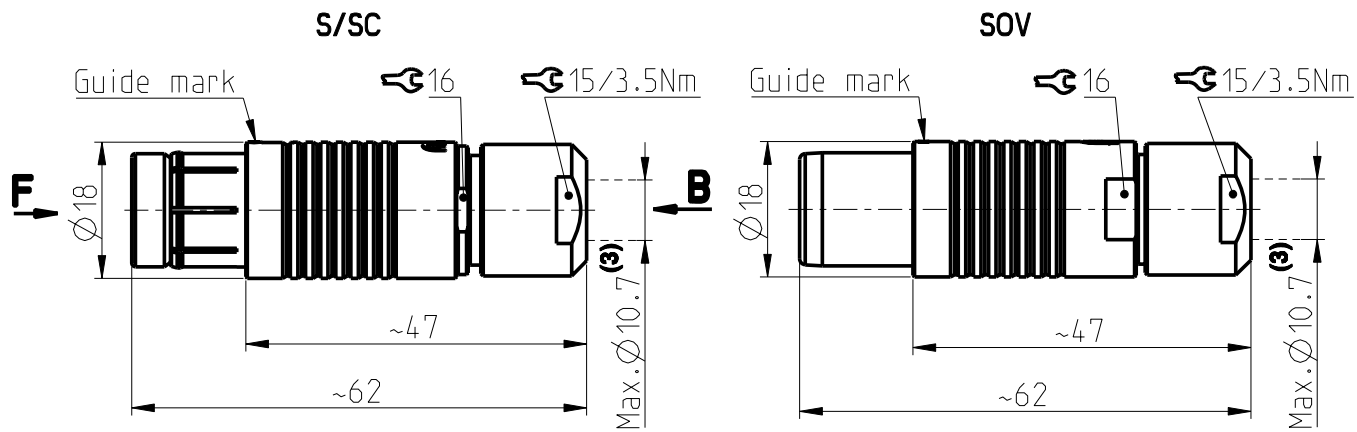
Part number example : S 105 A102-130+

**fischer**  
CONNECTORS

www.fischerconnectors.com

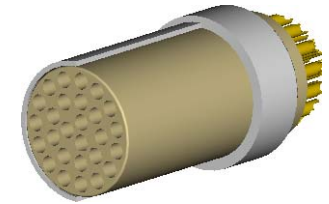
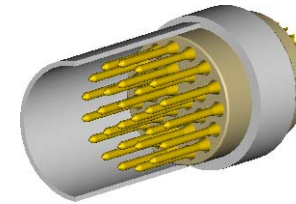
# S/SC/SOV 105 Multipole Plugs

All dimensions see note 1)



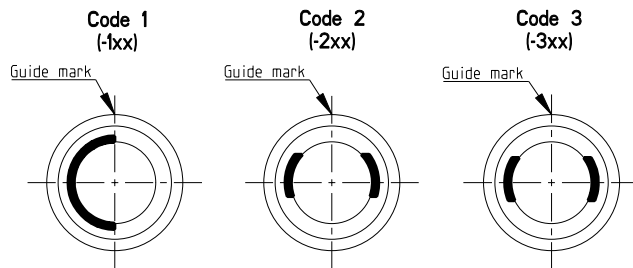
Contact polarity A

Contact polarity Z

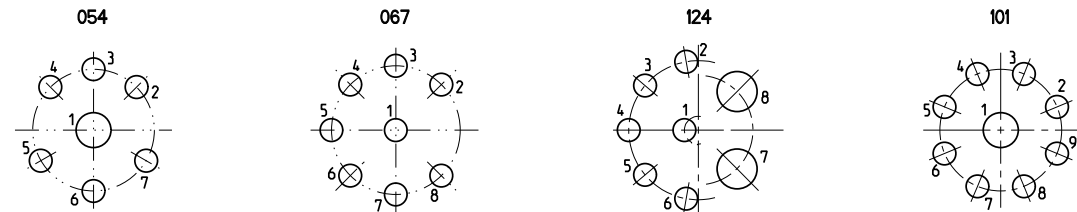


CONTACT CONFIGURATION	Contacts	Solder cup $\varnothing$	Crimp cup $\varnothing$
105 A Z 054	7	1.18/2.03	-
105 A Z 067	8	1.18	-
105 A Z 124	8	1.18/2.48	-
105 A Z 101	9	1.18/2.03	-

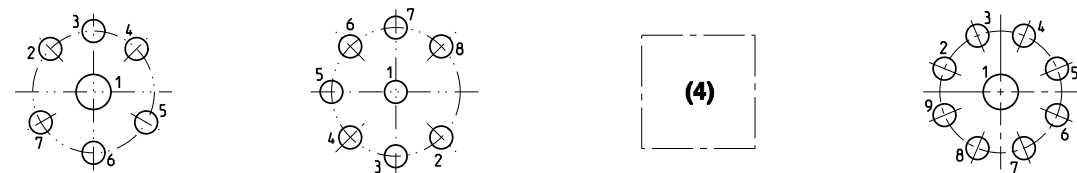
Keying codes (View from F)



Contact configuration for polarity A (View from B)



Contact configuration for polarity Z (View from B)



All dimensions in mm

Rev. Pages

Notes :

Part number example : S 105 A102-130+

600498

2

2/4

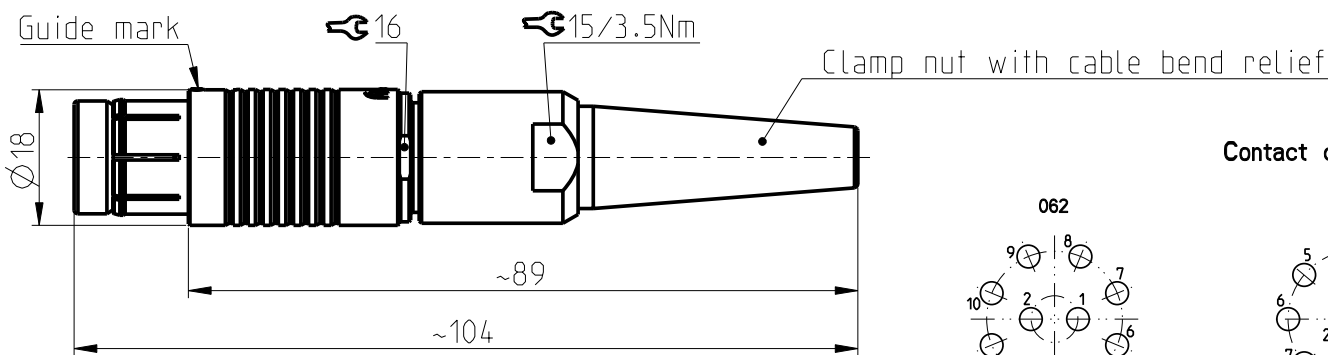
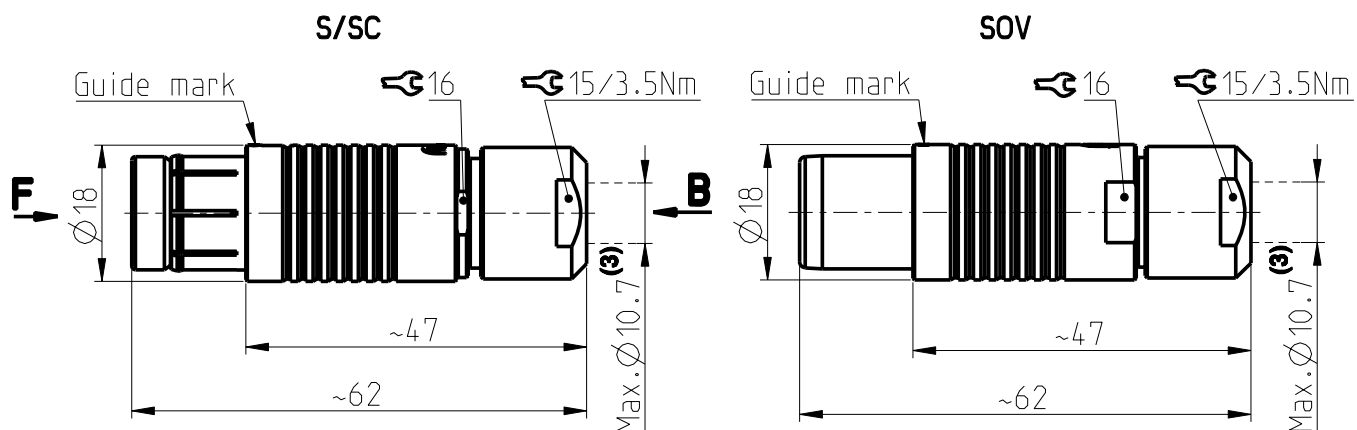
- 1) All tolerances resulting from connector assembly are typically  $\pm 0.3\text{mm}$
- 2) For optimum crimping refer to available crimping manual.
- 3) Max  $\varnothing 10.5\text{mm}$  with unshielded clamp set.
- 4) Please contact us.

**fischer**  
CONNECTORS

www.fischerconnectors.com

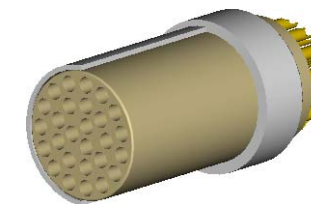
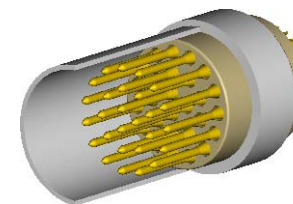
# S/SC/SOV 105 Multipole Plugs

All dimensions see note 1)



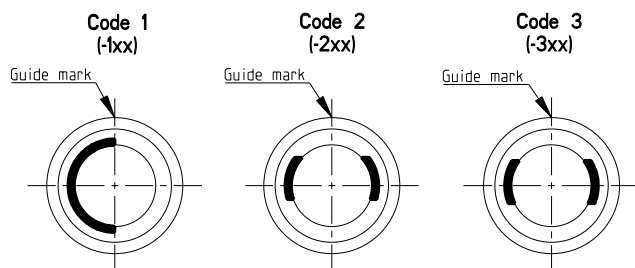
Contact polarity A

Contact polarity Z

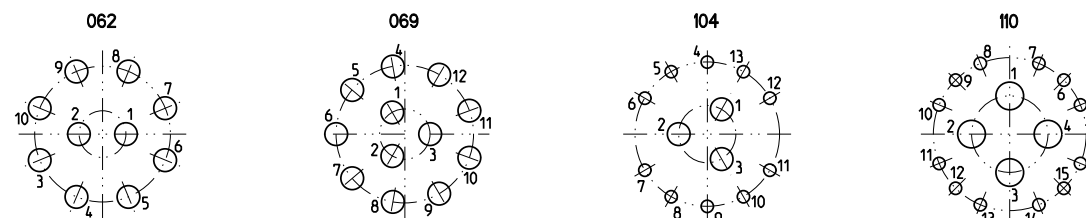


CONTACT CONFIGURATION	Contacts	Solder cup $\varnothing$	Crimp cup $\varnothing$
105 A Z 062	10	1.18	1.18
105 A Z 069	12	1.18	1.18
105 A Z 104	13	0.79/1.18	-
105 A Z 110	16	0.79/1.86	-

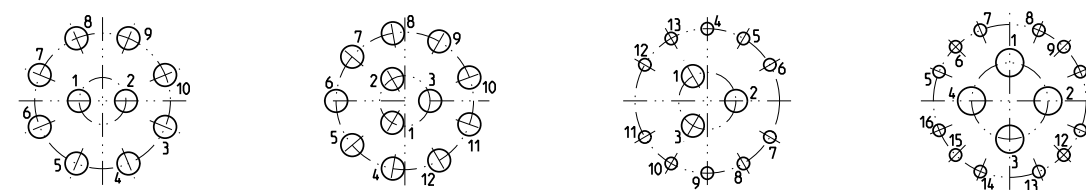
Keying codes (View from F)



Contact configuration for polarity A (View from B)



Contact configuration for polarity Z (View from B)



All dimensions in mm

Rev. Pages

Notes :

600498

2

3/4

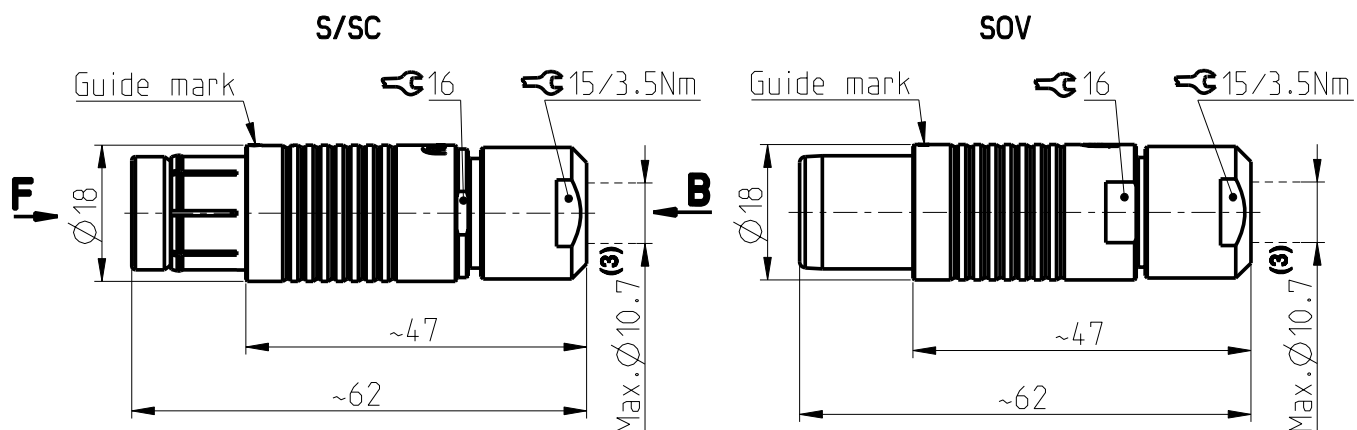
- 1) All tolerances resulting from connector assembly are typically  $\pm 0.3\text{mm}$
  - 2) For optimum crimping refer to available crimping manual.
  - 3) Max  $\varnothing 10.5\text{mm}$  with unshielded clamp set.
- Part number example : S 105 A102-130+

**fischer**  
CONNECTORS

www.fischerconnectors.com

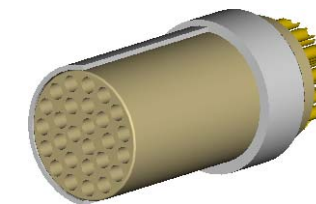
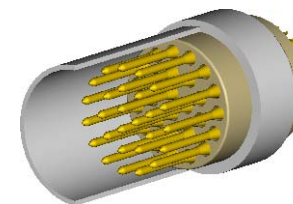
# S/SC/SOV 105 Multipole Plugs

All dimensions see note 1)

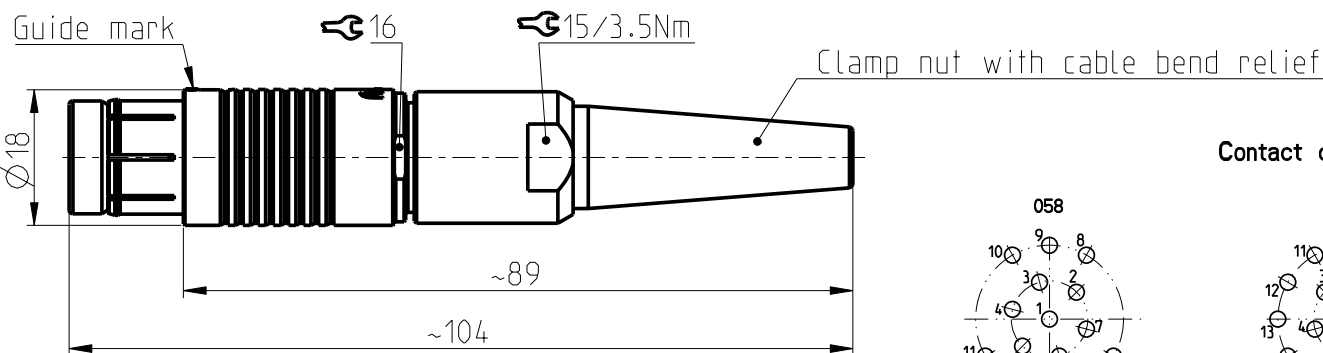


Contact polarity A

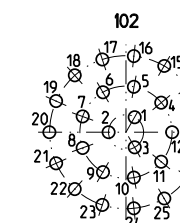
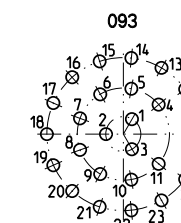
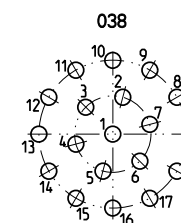
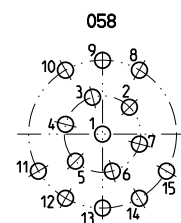
Contact polarity Z



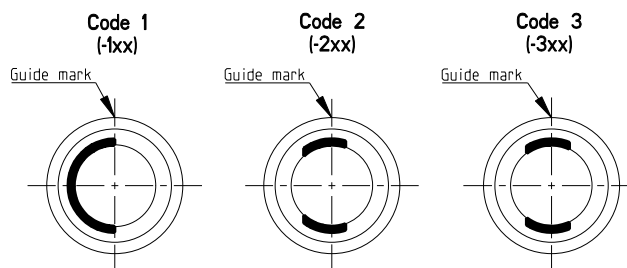
CONTACT CONFIGURATION	Contacts	Solder cup $\varnothing$	Crimp cup $\varnothing$ <sup>(2)</sup>
105 A Z 058	15	0.79	0.80
105 A Z 038	18	0.79	0.80
105 A Z 093	24	0.79	-
105 A Z 102	27	0.79	0.60



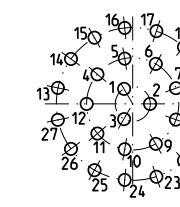
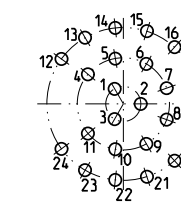
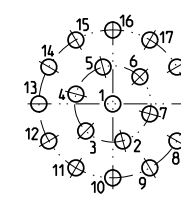
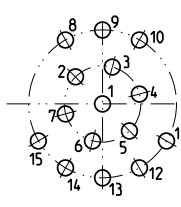
Contact configuration for polarity A (View from B)



Keying codes (View from F)



Contact configuration for polarity Z (View from B)



All dimensions in mm

Rev.

Pages

Notes :

600498

2

4/4

- 1) All tolerances resulting from connector assembly are typically  $\pm 0.3$ mm
  - 2) For optimum crimping refer to available crimping manual.
  - 3) Max  $\varnothing 10.5$ mm with unshielded clamp set.
- Part number example : S 105 A102-130+



www.fischerconnectors.com