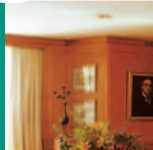


5600

**CORD OPERATED
SYSTEMS**

5600



G-RAIL[®]

ALUMINIUM RAIL

> *by Goelst*



G-Rail 5600 is a cord operated curtain track system suitable for medium and heavy weight curtains. Designed for larger applications - system 5600 can be curved and bent to a minimum radius of 20 cm. The elegant rounded profile remains unobtrusive when installed with fixing clamp 6050. Control side and cord drops can be altered on site with relative ease making the 5600 system uniquely versatile.

Standard colours: White RAL 9010, Natural Metallic RAL 9006.
Special colours available on request.

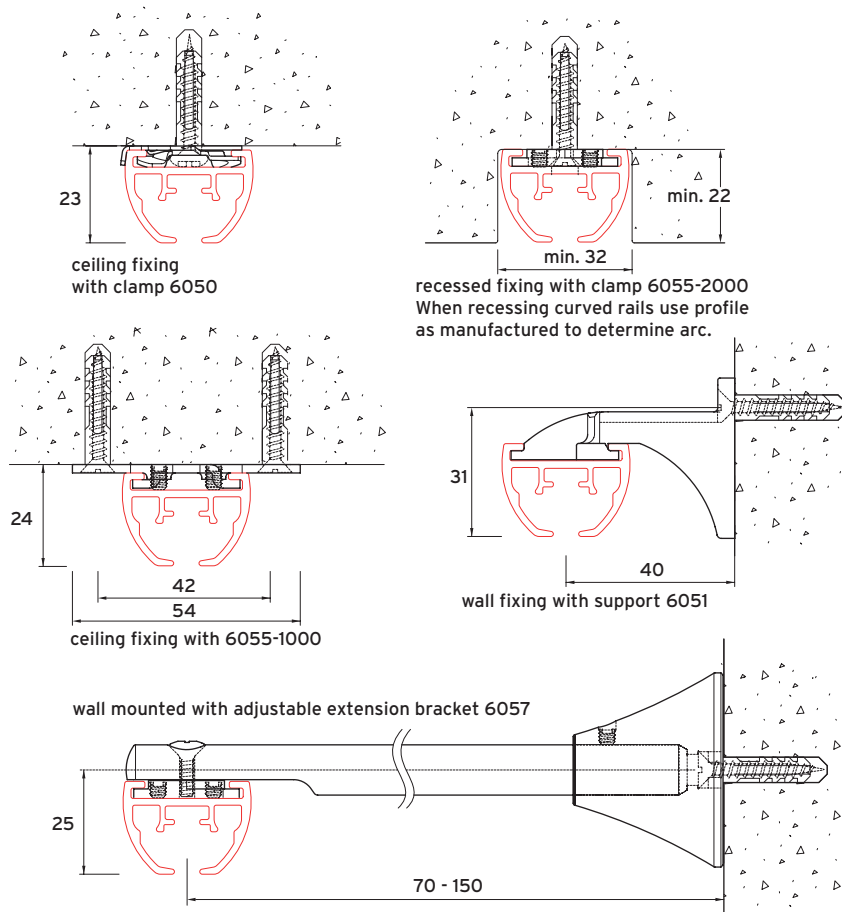
CORD OPERATED SYSTEMS

5600

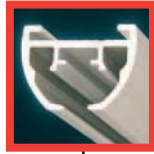


5600 > Heavy-duty drawn c

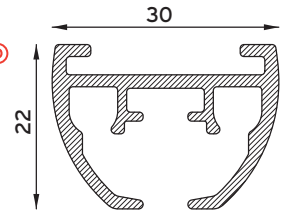
Installation



y cord urtain rail.

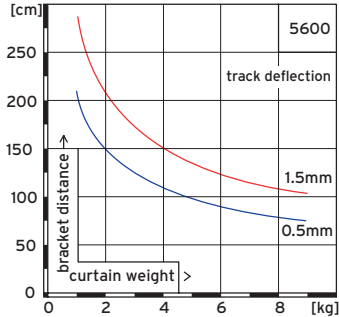


5600 ©



Specification Guide

G-Standard (bracket fixing guide)



Material:

Aluminium 606035-T6-F22. (Higher specification than DIN 1725). Shape and size tolerances are in accordance with DIN 17615. White RAL 9010 or Natural metallic RAL 9006 powder coated in accordance with the Qualicoat standard. Special colours available on request. Profile weight: 492 gr/m.

Accessories:

Gliders 4010 or roller 4030 at 10 - 16 per metre. Upstand headings can be achieved using projection glider 6010. Special cord 1210-4,5 (with red core), 4.5mm diameter. Pulley set 5670-1000 for split stacked systems or pulley set 5670-2000 for single stacked systems.

Installation:

General advice for installation: an extra bracket should be installed at each curtain stacking position and directly before and after each bend. Ceiling fixing with bracket 6050, fixing centres 60-80 cm. Maximum total curtain weight with brackets 6050: 25 kg. Ceiling fixing with bracket 6055-1000 for heavy curtains up to 80 kg and with special curves, fixing centres 60-80 cm. Face fixing with support 6051 (projection 4 cm). Wall fixing with adjustable bracket 6057 (projection 7-15 cm).

Bracket fixing centres (cm) according to G-Standard or the following table.

	light	medium	heavy (curtain)
5600:	150	90	60

Bending:

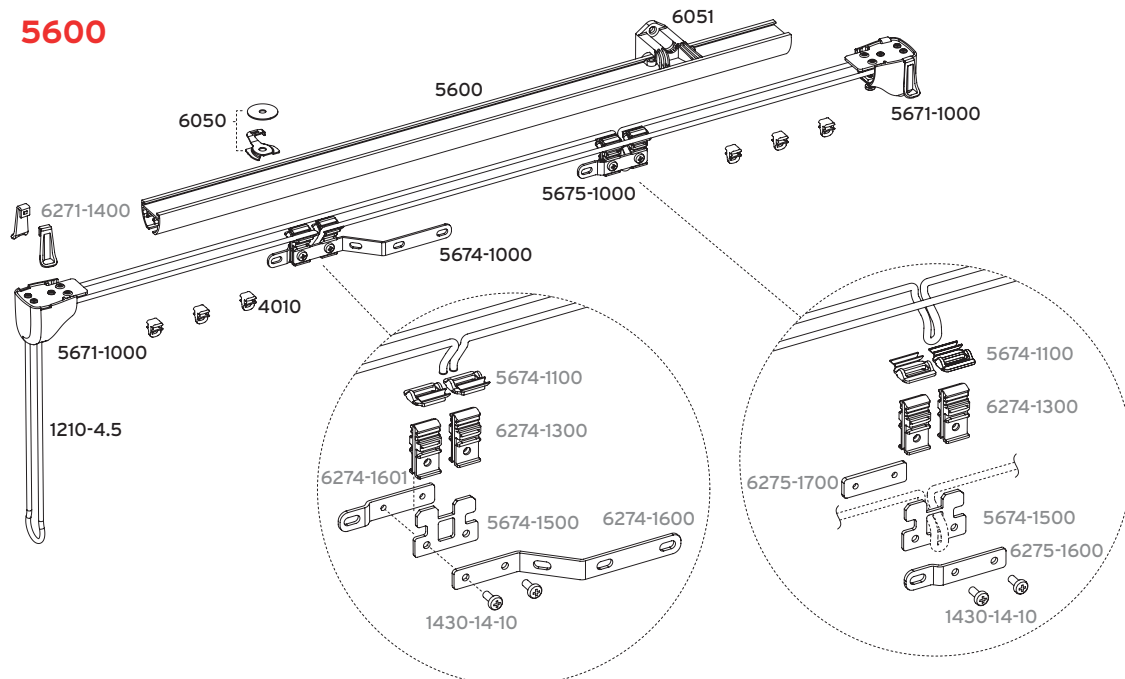
Bending radius 20, 30 cm (bending machine 1015) or greater than 1m.

Table with pulling force (kg) required for drawing curtains with straight or curved profile. Valid for systems up to 12 m (split stacked). A slight increase in the 'Pulling-Force' is noted where system length exceeds 12 mts.

pulling force 5600	curtain weight (kg)									
	0	10	20	30	40	50	60	70	80	90
straight	1	3	4	5	6	7	8	9	10	-
on straight part with 1 curve	1,3	3,4	4,4	5,4	6,4	7,4	8,4	9,4	-	-
in curve	2,5	3,7	5	6	7	8	9	10	-	-
on straight part with 2 curves	1,5	3,7	4,5	5,5	6,5	7,8	9	-	-	-
in curve	4,7	5,6	6,3	7,2	8,1	9	10	-	-	-

The acceptable level of 'Pulling-Force' required for single handed operation is 6 kg.

In general: apply 10 kg reduction in curtain weight for each bend.



BASIC SETS																	
<p>5670-2000 set for single stack 2 x pulley 5671-1000 + overlap carrier 5674-1000</p> <p>colours: GR - W</p>	<p>5670-1000 set for split stack: 2 x pulley 5671-1000 + overlap carriers 5674-1000 and 5675-1000</p> <p>colours: GR - W</p>																
CURTAIN TRANSPORT																	
<p>4010 ^P glider (on strip)</p> <p>colours: B - G - W - ZW</p>	<p>6055-2000</p> <p>profile insert for recessed fixing incl. special screw pre-drilling 5600 profile by Goelst / G-Rail</p> <p>1430-84 35 mm 45 mm</p>																
<p>4030 roller</p> <p>colours: B - G - W - ZW</p>	<th colspan="2">WALL FIXING</th>	WALL FIXING															
<p>6010 ^D projection glider</p> <p>colours: W</p> <table border="1"> <thead> <tr> <th>bends</th> <th>max curtain weight</th> <th>max rail length</th> <th>No. 6010 /m rail</th> </tr> </thead> <tbody> <tr> <td>0</td> <td>35 kg</td> <td>7 m</td> <td>10</td> </tr> <tr> <td>1</td> <td>25 kg</td> <td>7 m</td> <td>12</td> </tr> <tr> <td>2</td> <td>20 kg</td> <td>7 m</td> <td>12</td> </tr> </tbody> </table>	bends	max curtain weight	max rail length	No. 6010 /m rail	0	35 kg	7 m	10	1	25 kg	7 m	12	2	20 kg	7 m	12	<p>6057 ^D adjustable wall bracket projection 7 cm - 15 cm</p> <p>colours: NM - W</p>
bends	max curtain weight	max rail length	No. 6010 /m rail														
0	35 kg	7 m	10														
1	25 kg	7 m	12														
2	20 kg	7 m	12														
<p>1210-4,5 special cord with red core 4,5 mm diameter</p>	<p>6051 ^D wall support 4 cm projection</p> <p>colours: B - GR - W - ZW</p>																
<p>2024-55 sew-in hook 55 mm</p> <p>2024-95 sew-in hook 95 mm</p>	ACCESSORIES																
<p>2020 double hook</p>	<p>5674-1000 overlap carrier for additional stack of curtains on single track</p>	<p>5675-1000 overlap carrier for additional pairs of curtains on single track in combination with 5674-1000</p>															
<p>2021 G-hook curtain hook</p>	<p>6052 internal connecting bridge</p>	<p>5653 endcap for hand operated systems</p> <p>colours: GR - W</p>															
<p>2022 curtain hook</p>	<p>4003 spring stop</p>	<p>1203-11 cord weight</p>															
CEILING FIXING		<p>1201 cord tensioner</p>															
<p>6050 ceiling fixing clamp, incl. washer 6249 total curtain weight < 25 kg</p>	<p>1002-TX6-25 Torx-bit for assembly of 5671-1000</p>																
<p>6055-1000 ceiling fixing plate total curtain weight < 100 kg colours: NM - W</p> <p>fixing: turn and lock:</p>																	

CORD OPERATED SYSTEMS
5600

B = Brown
G = Gold
GR = Grey
N = Natural
NM = Natural Metallic
W = White
ZW = Black

▣ = standard item
D = registered design
P = patented design

G-RAIL®

Space for dealer address