

LET'S WORK TOGETHER



WORKPLACE SYSTEMS

Senator

QUALITY ME

DOING IT RI

NO ONE IS L

Henry Ford

EANS

GHT WHEN

OOKING.

**SO, HOW
CAN WE
HELP?**

Senator

Part of The **Senator** Group

A LITTLE ABOUT US

WHAT'S OURS IS YOURS

Our story began in 1976, when we began designing and manufacturing office furniture, and although we've now grown into one of the largest furniture manufacturers in the world, we still remain an independent, family owned business.

All the things that were important to us in the beginning; our attention to detail, integrity, investment in people and passion for design, are still very much running through the veins of the business today.

OUR BRANDS

We have three global brands within The Senator Group. Each of our brands has its own individual personality, complementing each other to create an existing portfolio to choose from. Whatever your project, whatever your style and whatever you need, you'll find the solution within this brand family.

Senator

Innovation engineered

Allermuir

Anything but ordinary

Torasan

Beautifully efficient

SHOW AND TELL

This book is an introduction to Senator's portfolio of products and a guide to how you can make each piece your own. Read, research and be inspired, then come and experience the real thing. Comfort can't be chosen from a piece of paper.

How can we help?

WE BEGIN BY LOOKING AT YOU

With every Senator design comes a great deal of thought. The design process begins way before pencil reaches paper, beginning with looking at you. We look at how you sit, reach, move and work to create a design which not only looks beautiful, but is a pleasure to use too.

Behind every Senator product is a fusion of intelligent thinking and innovative engineering to create products which support people whether they're focusing, collaborating, presenting or organising.

Desking Systems

005 Crossover 017 Core
025 Chemistry

Workplace Management

041 Storage & Screens
053 Workwall





Let's work together

NEED IT DIGITAL?

A copy of this book, product rotations, high resolution images, CAD symbols and more detailed product information are all on our website.

thesenatorgroup.com

Innovation Engineered

Section One

CROSSOVER DESKING

Crossover is a rational and versatile desking range with a visually subtle design. Crossover offers a breadth of finish options, is highly customisable and features a superior fit and finish.

006 Crossover Bench / 010 Crossover Workstations



Crossover Bench

UNINTERRUPTED WORKFLOW

Crossover Bench provides a highly flexible solution to suit the needs of the modern office. Optional cable flap access and simple elegant divider screens, have been developed to provide intelligent solutions to cabling and privacy issues.

Optional height adjustable top modules can be specified at any position within the bench to give total flexibility.







Crossover

THE SKY IS THE LIMIT

Crossover is based around a pair of horizontal beams which provide a robust structure and a continuous fixing method for all furniture elements. Legs, screens, wire management, work surfaces and accessories can be attached at any point along the beams regardless of desk module.





Crossover

The Crossover beam system allows adjacent workstations to be linked therefore removing redundant structure.

Crossover has been developed to cause minimum impact on the environment, being 100% recyclable at the end of its life and made from 55% recycled materials.







Let's work together

NEED IT DIGITAL?

A copy of this book, product rotations, high resolution images, CAD symbols and more detailed product information are all on our website.

thesenatorgroup.com

Let's work together

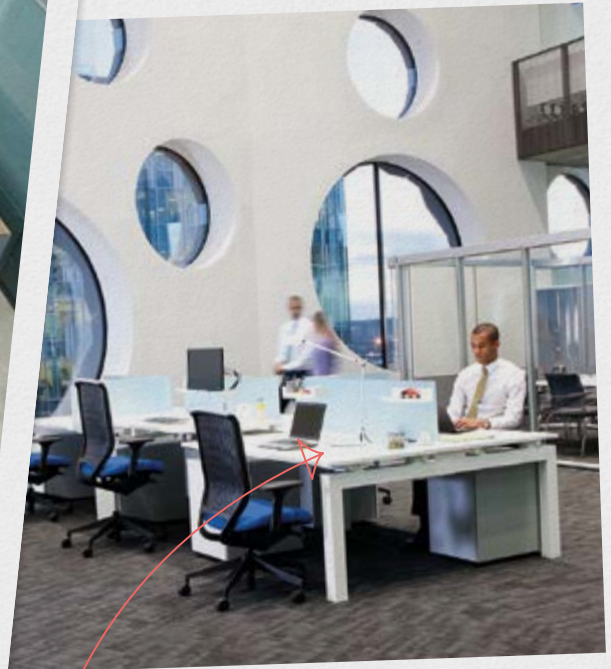
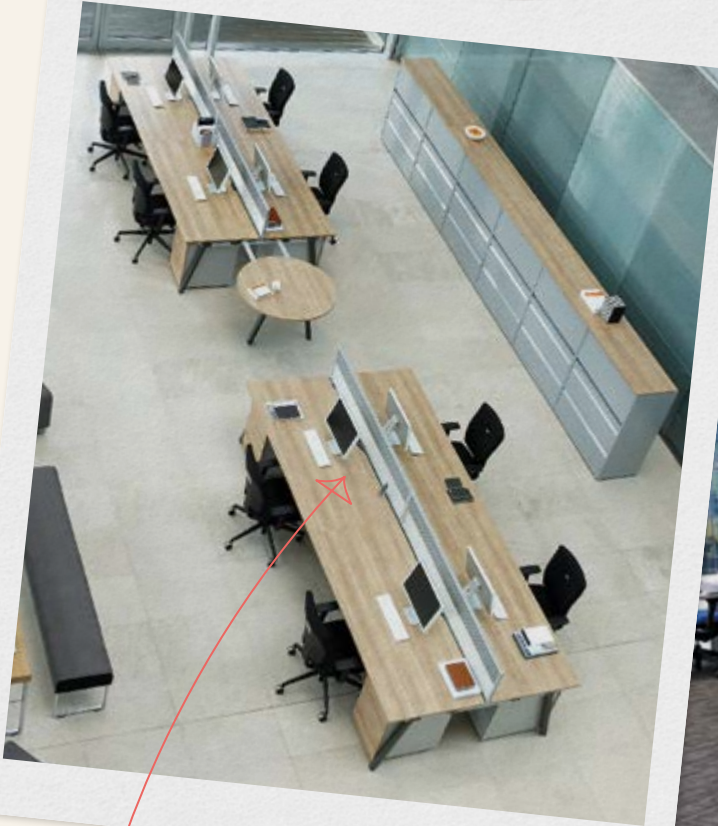
**Let's Get Into
Some Detail**

CROSSOVER

DESKING

Senator

CROSSOVER



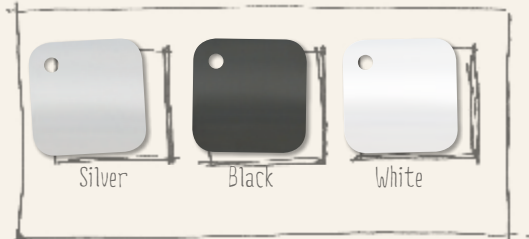
25mm MFC FINISHES (WITH MATCHING EDGING)



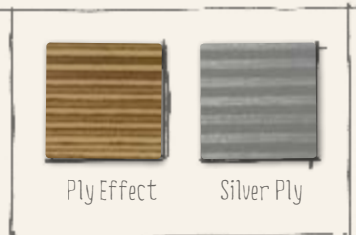
FRAME COLOUR



LEG COLOURS



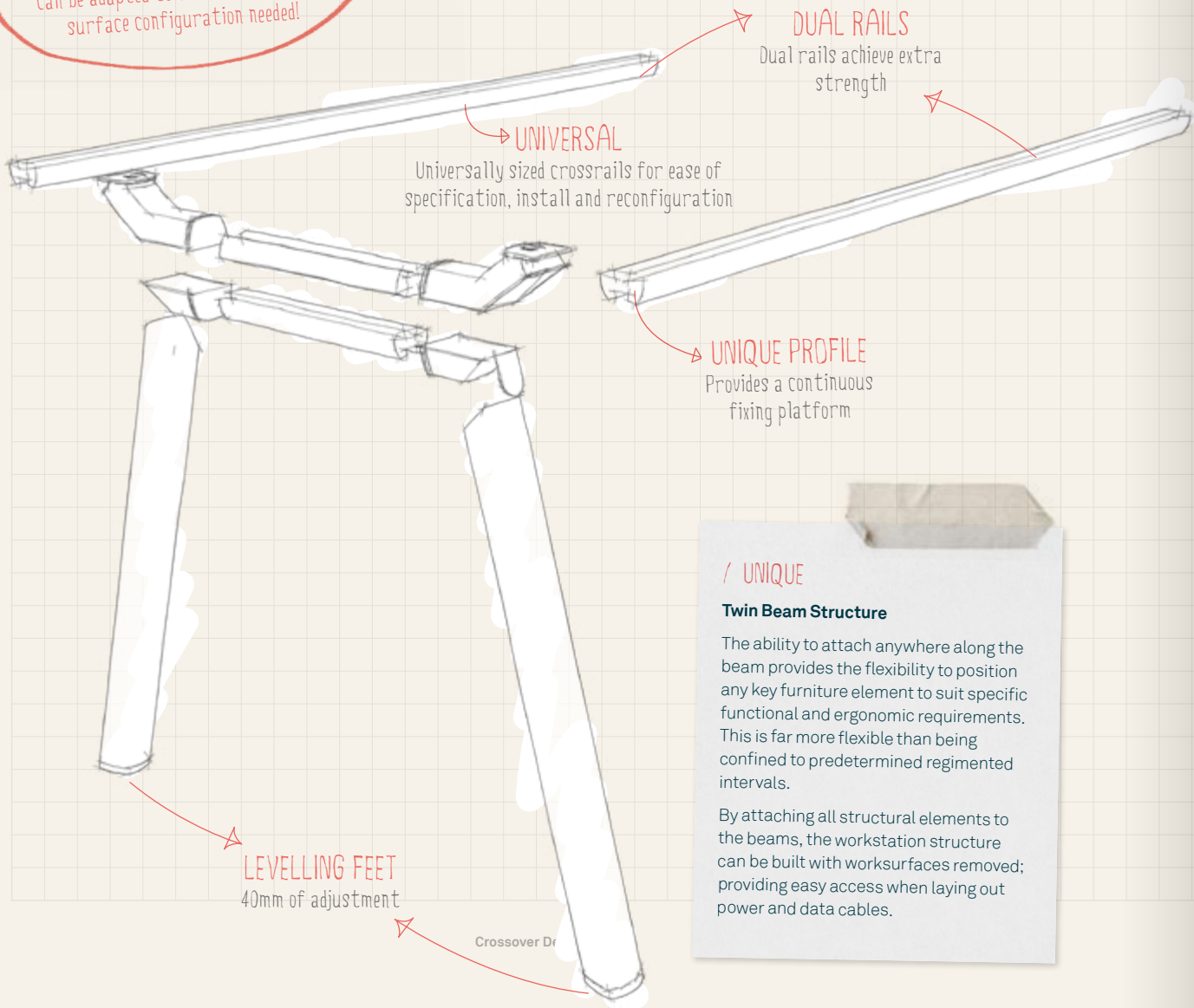
CONTRAST EDGING



STRUCTURE

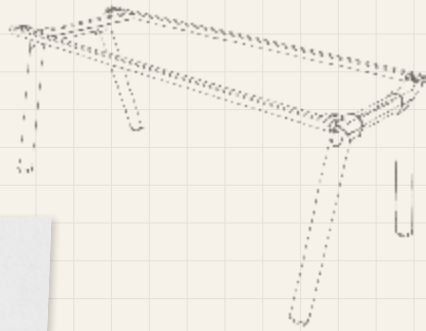
At the heart of Crossover is a small set of intelligent common components. Regardless of workstation type or size, these core components remain the same.

As there are no handed parts, dedicated end or mid-leg sets, the structure can be adapted to cater for any work surface configuration needed!

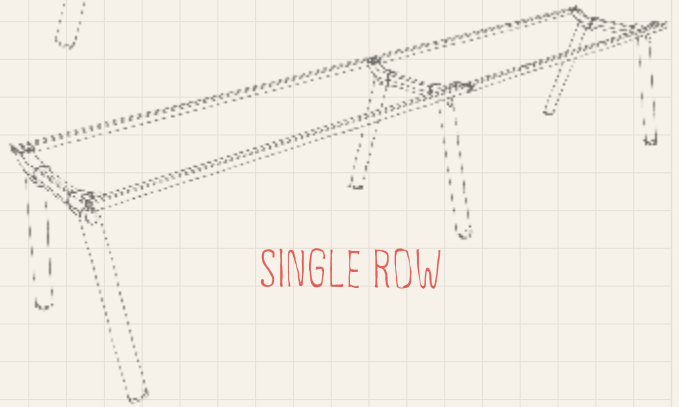


Flexibility to change

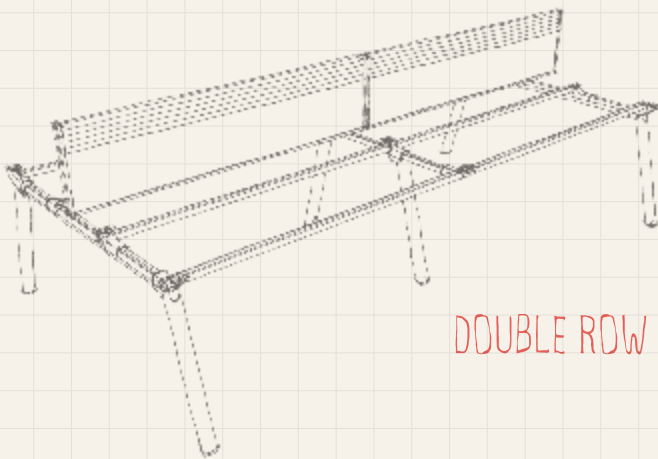
The ability to attach at any point along a beam structure and the flexibility provided by a small set of intelligent components allows Crossover to be changed or added to easily.



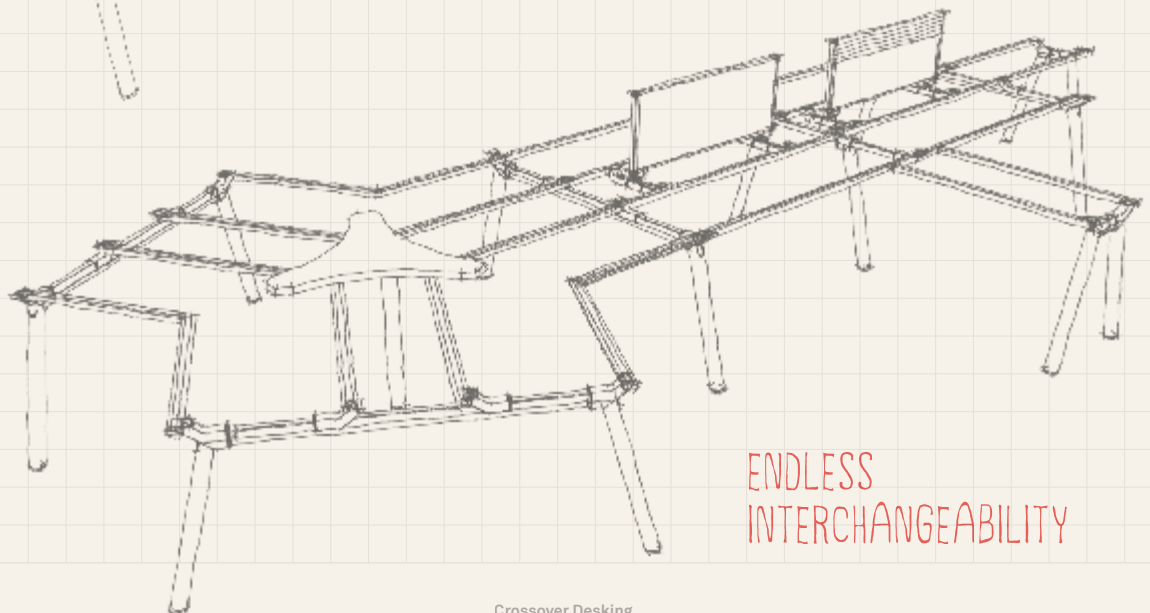
SINGLE DESK



SINGLE ROW



DOUBLE ROW



ENDLESS
INTERCHANGEABILITY

FLEXIBILITY



The flexibility designed into the structure allows Crossover to provide a comprehensive range of different applications.

Specify

Crossover can be specified as a simple rectangular desk or configured into multi-linked workstation clusters. These can incorporate 90° and 120° pieces. Bench style desking with rectilinear, wave and double wave tops can also be constructed from a common set of components.



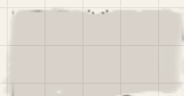
DESKTOPS



RECTANGULAR



SLIMLINE



WAVE



SLIMLINE WAVE



DOUBLE WAVE



120°

MEETING ENDS



RECTANGULAR



REDUCED

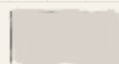


D-END



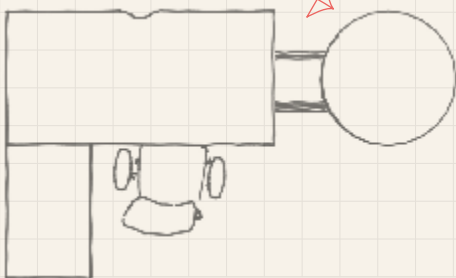
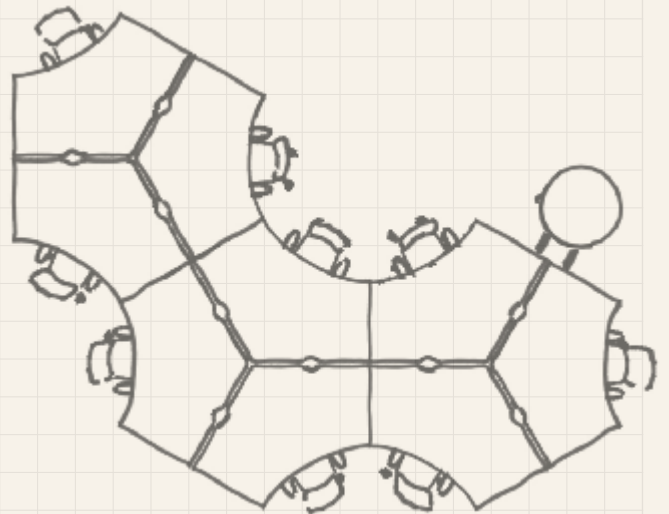
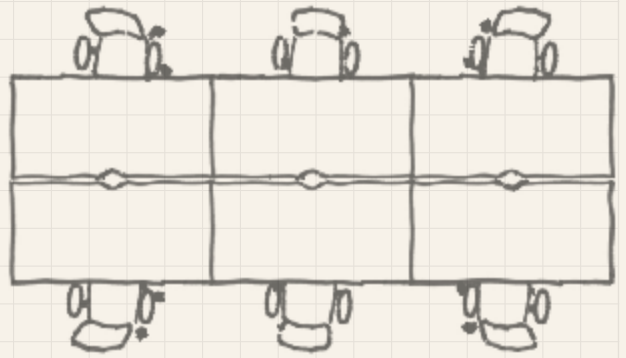
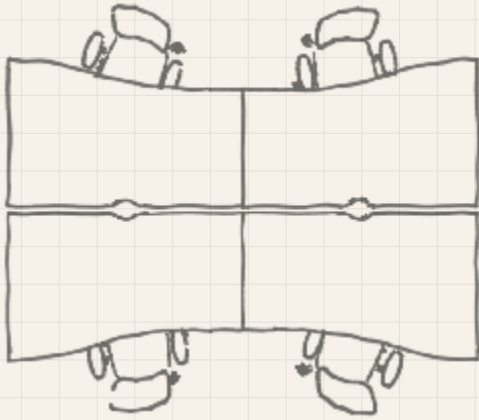
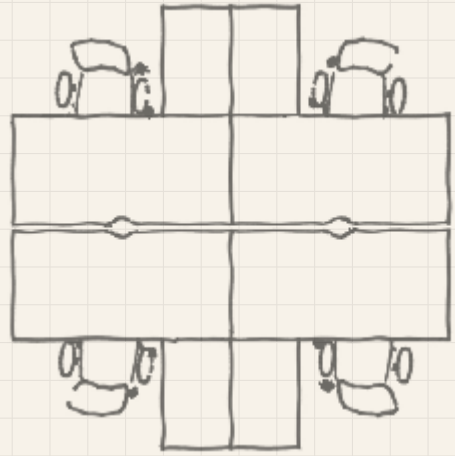
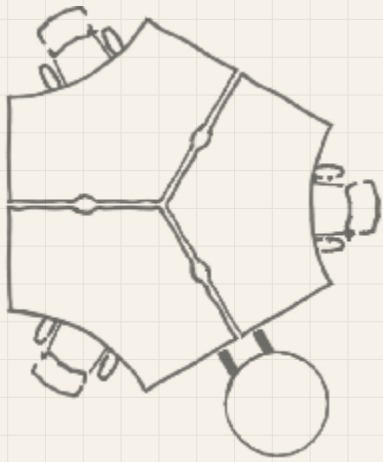
SATELLITE

Crossover Desking



RETURN

Let's get into some detail

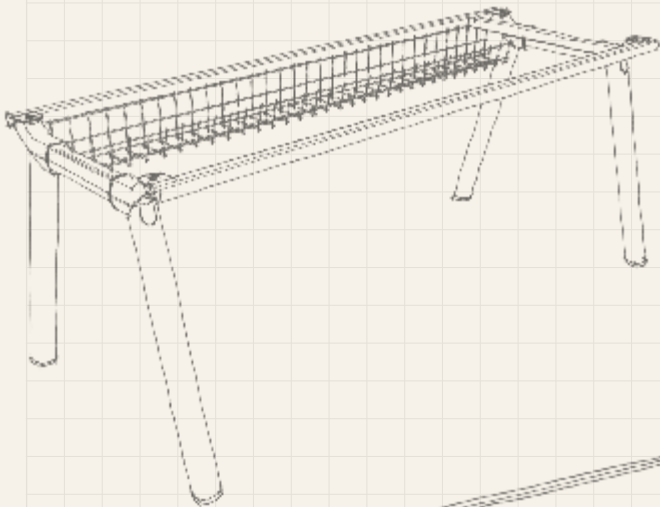


Crossover Desking

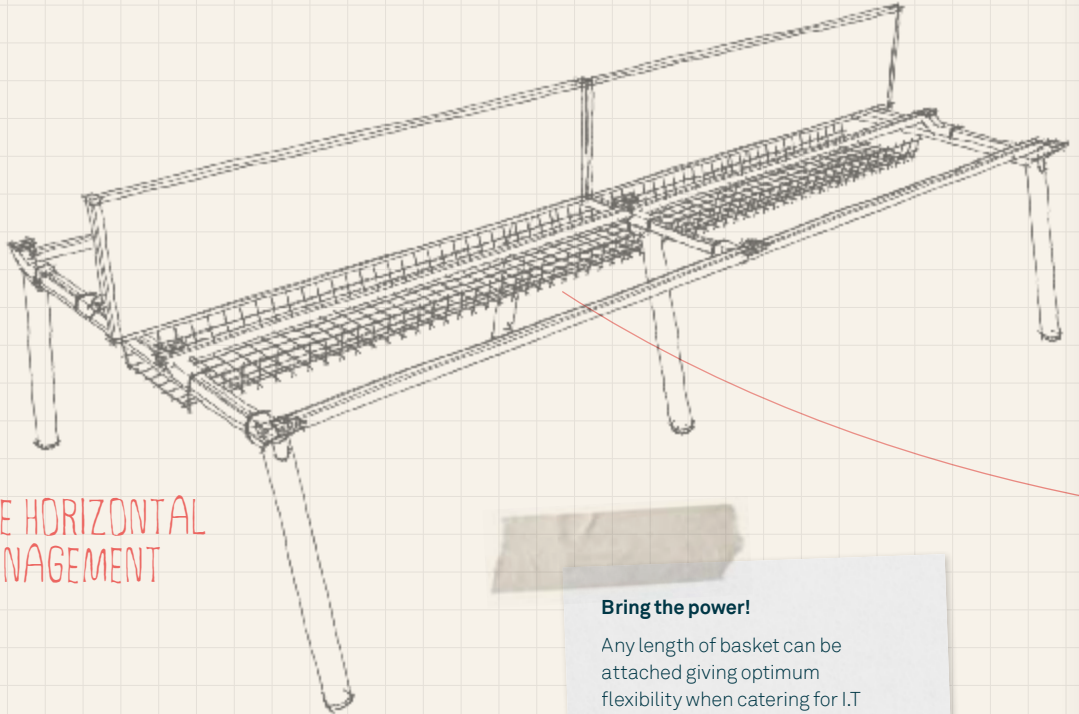
WIRE MANAGEMENT



Horizontal wire management can be achieved using a basket which hangs directly from the beam structure.



SINGLE HORIZONTAL
MANAGEMENT



DOUBLE HORIZONTAL
MANAGEMENT

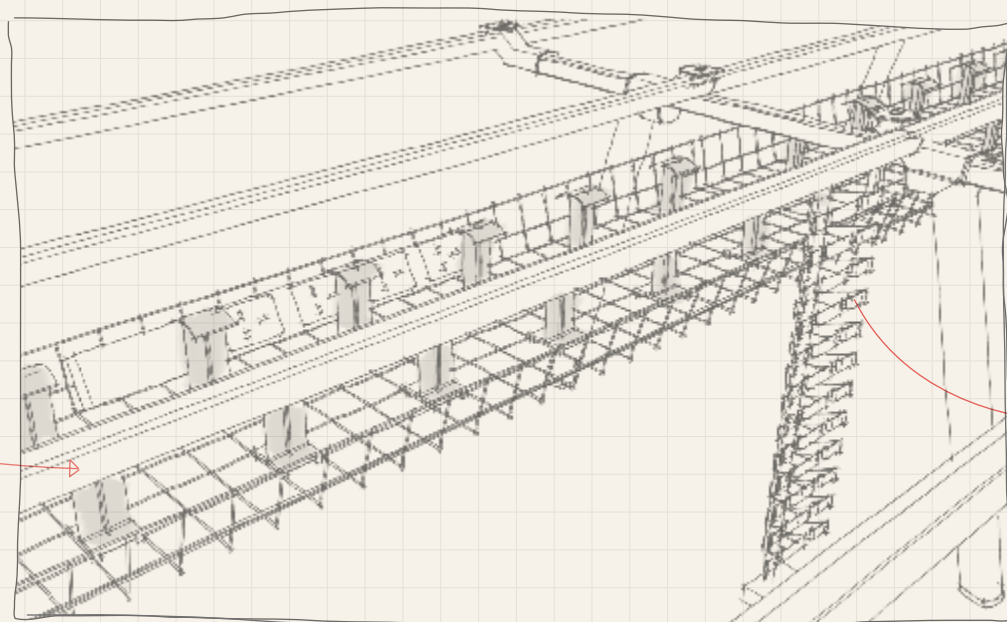
Bring the power!

Any length of basket can be attached giving optimum flexibility when catering for I.T and power solutions.

Let's get into some detail

Solid power!

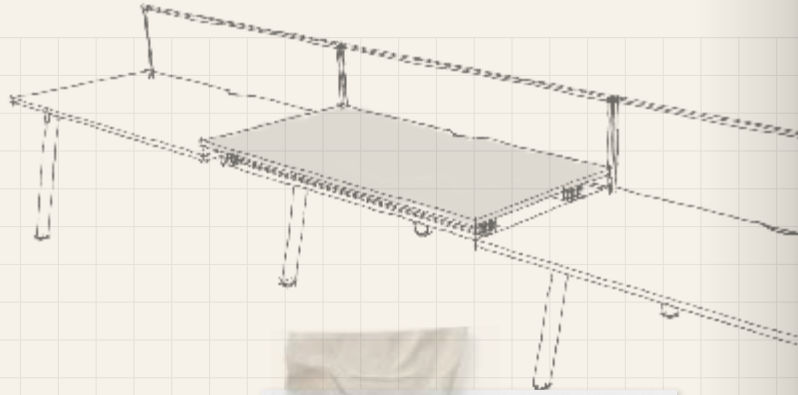
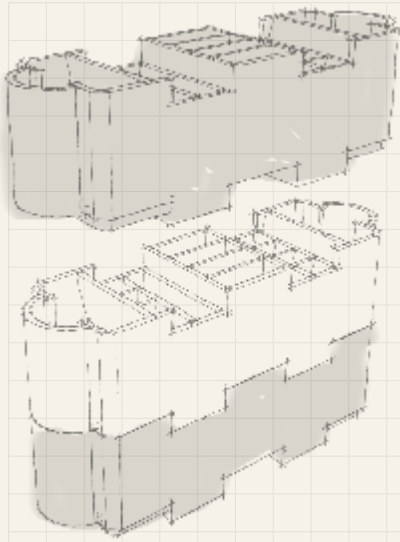
A heavier duty management solution can be specified which has a solid horizontal tray and a rigid vertical cassette with removable front fascia.



A system specific vertical riser attaches to the cable basket at any point along its length.

Horizontal wire baskets can have fins applied to them in order to gain three-way segregation or simply compartmentalise the space for specific cabling applications.

Let's get into some detail



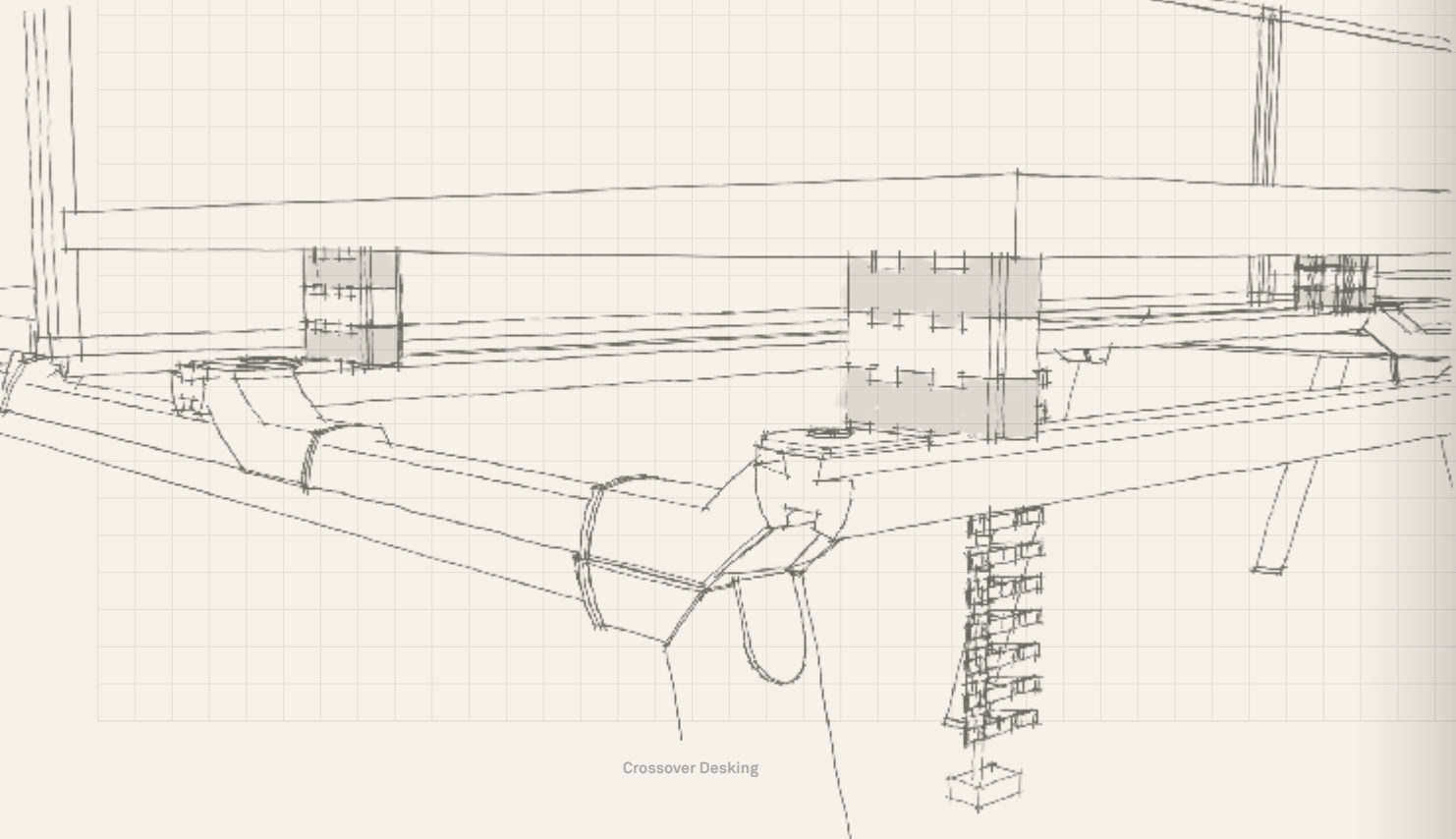
Raise it up!

The blocks have been tooled into a profile that allows them to sit onto the beam and stack one on top of another. To raise the worksurface it first needs to be removed and the appropriate amount of spacers added onto the beams.

The worksurface can then be reapplied and fixed to the framework in the standard manner by using the longer fixing bolts that are supplied with the height adjustable kits.

HEIGHT BLOCKS

Individual worksurfaces can be raised from the standard 730mm high position in 25mm increments by the use of stackable spacer blocks.



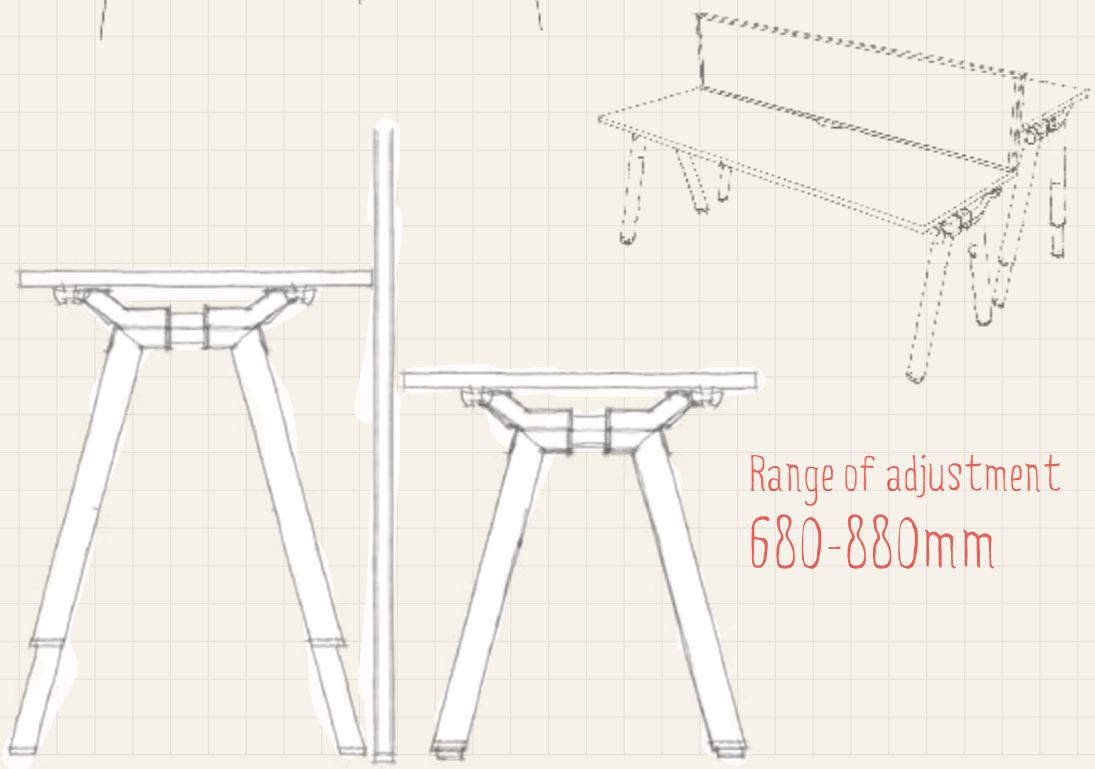
Crossover Desking

HEIGHT ADJUSTABLE LEG

Height adjustable legs can be fitted to individual desks in order that they can be adjusted through a range of 200mm from 680mm to 880mm high

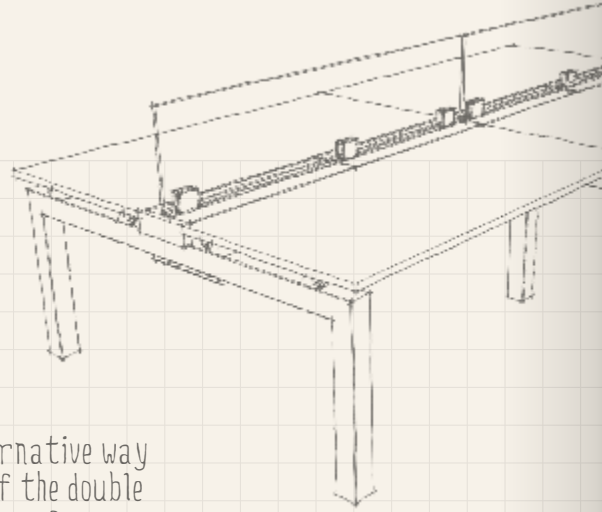
Crank it up!

The adjustment is facilitated by the use of the standard Allen key which engages a weight loaded crank mechanism within the leg. As the mechanism is wound in and out, an inner leg section extends or retracts out of the bottom of the standard leg profile.



Let's get into some detail

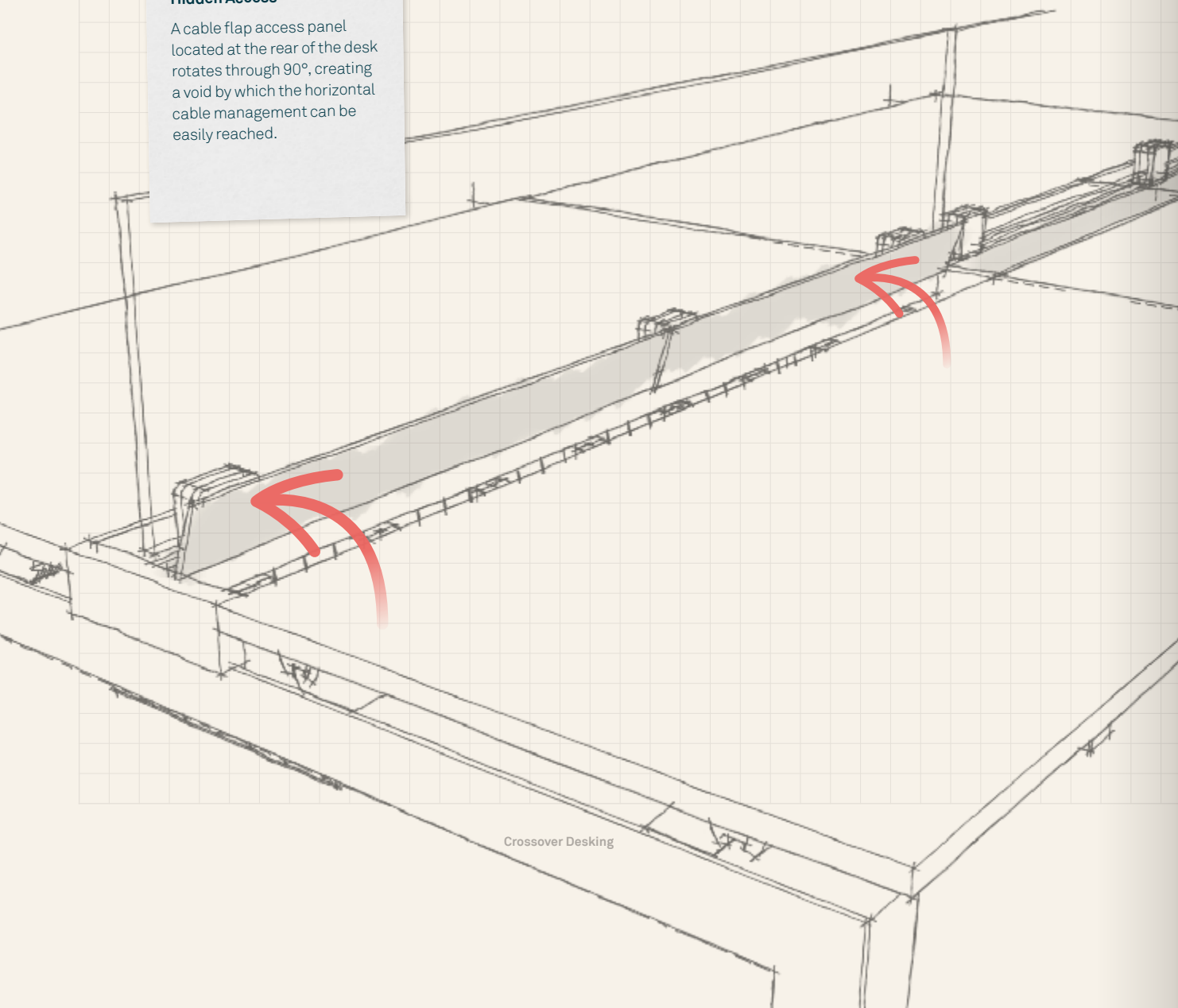
FLIP TOP



The optional flip top function is an alternative way to gain easy access to a large section of the double width cable basket from above the worksurface on standard goalpost legs.

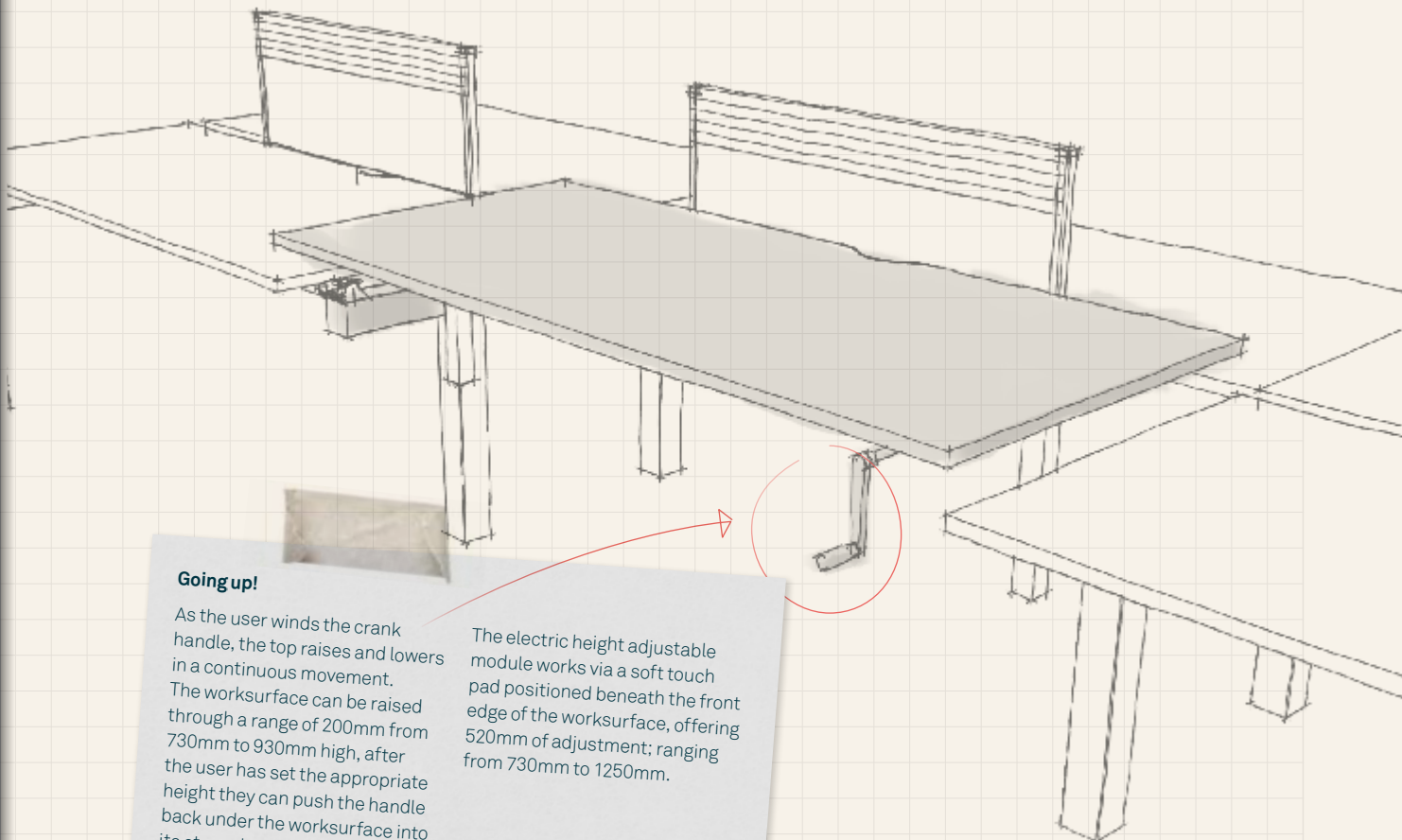
Hidden Access

A cable flap access panel located at the rear of the desk rotates through 90°, creating a void by which the horizontal cable management can be easily reached.



HEIGHT ADJUSTABLE MODULES

Both crank handle and electric height adjustable modules can be specified onto a standard goalpost leg workstation.



Going up!

As the user winds the crank handle, the top raises and lowers in a continuous movement. The worksurface can be raised through a range of 200mm from 730mm to 930mm high, after the user has set the appropriate height they can push the handle back under the worksurface into its stowed position so that it does not restrict their use of the desk.

The electric height adjustable module works via a soft touch pad positioned beneath the front edge of the worksurface, offering 520mm of adjustment; ranging from 730mm to 1250mm.



CRANK HANDLE

Easy turn 'lockable' handle for crank operation

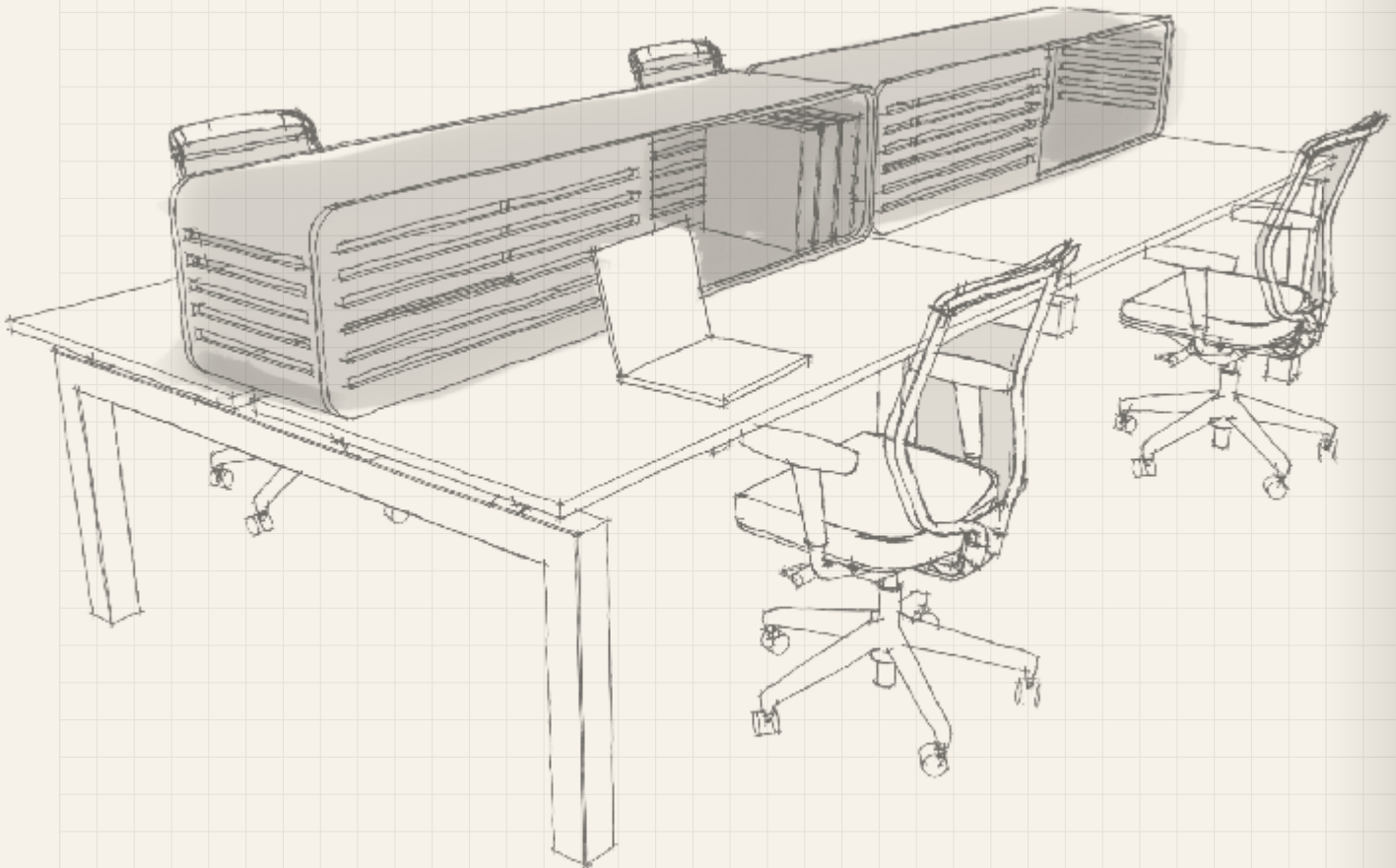
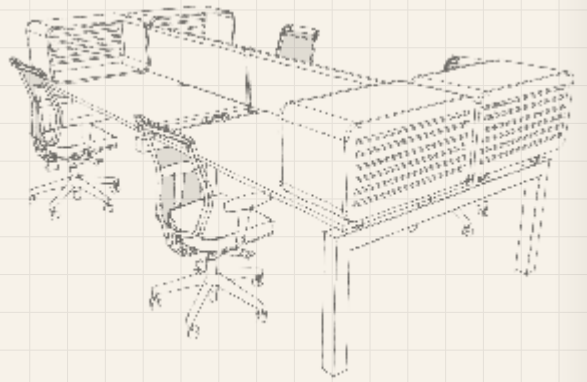


ELECTRIC MECHANISM

Touch control pad for electric operation

STORAGE BOXES

Storage boxes can be specified at the end of worksurfaces or down the central spine, they can be specified to act purely as workstation accessible storage or to incorporate power and monitor arms.



Need it digital?

A copy of this book, product rotations, high resolution images, CAD symbols and more detailed product information are all on our website.

thesenatorgroup.com

Section Two

CORE DESKING

Core is a desking system that offers simplicity through form and function. It can be quickly and easily reconfigured and adapted to suit new demands, regardless of whether these are caused by expansion, reduction or remodelling.

018 Core Workstations

Core

**PURE
AND
SIMPLE**

Core is a versatile desk system with a fresh, clean aesthetic based around a horizontal beam construction, which provides structure and rigidity and allows for the fixing of the various system elements. The flexibility designed into the system allows Core to provide a comprehensive range of different applications.





Core

Core is available as a four leg desk or a continuous bench using simple, cost effective, flexible components where legs can be shared wherever necessary. Desk screens further enhance the system and are available as a simple pinnable version through to framed system screens with tool rails, fabric and glazing options.







Core

Core has been developed to cause the minimum impact on the environment. The product has been designed for a maximum working life and whenever possible reclaimable materials are used.

Core is up to 100% recyclable at the end of its useful life and is made from 55% recycled materials.

Let's work together

NEED IT DIGITAL?

A copy of this book, product rotations, high resolution images, CAD symbols and more detailed product information are all on our website.

thesenatorgroup.com

Innovation Engineered

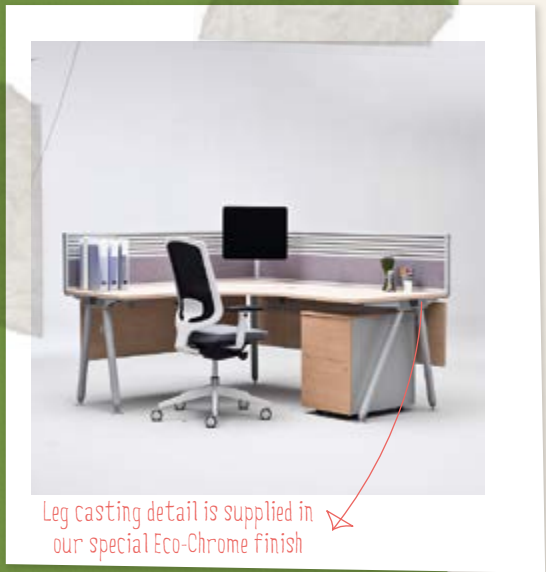
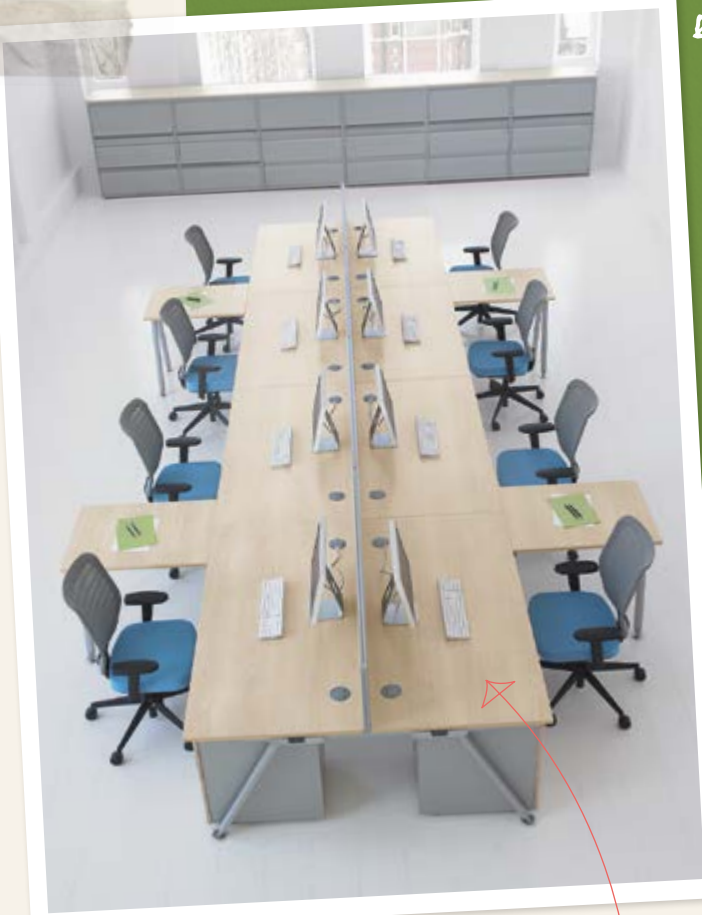
**Let's Get Into
Some Detail**

CORE

DESKING

Senator

CORE



Leg casting detail is supplied in our special Eco-Chrome finish

25mm MFC FINISHES (WITH MATCHING EDGING)

Highland Oak	English Oak	Maple
Beech	White	Autumn
Winter Oak	Strata Oak	Mocha

CONTRAST EDGING

Ply Effect
Silver Ply

FRAME COLOURS

Silver	White

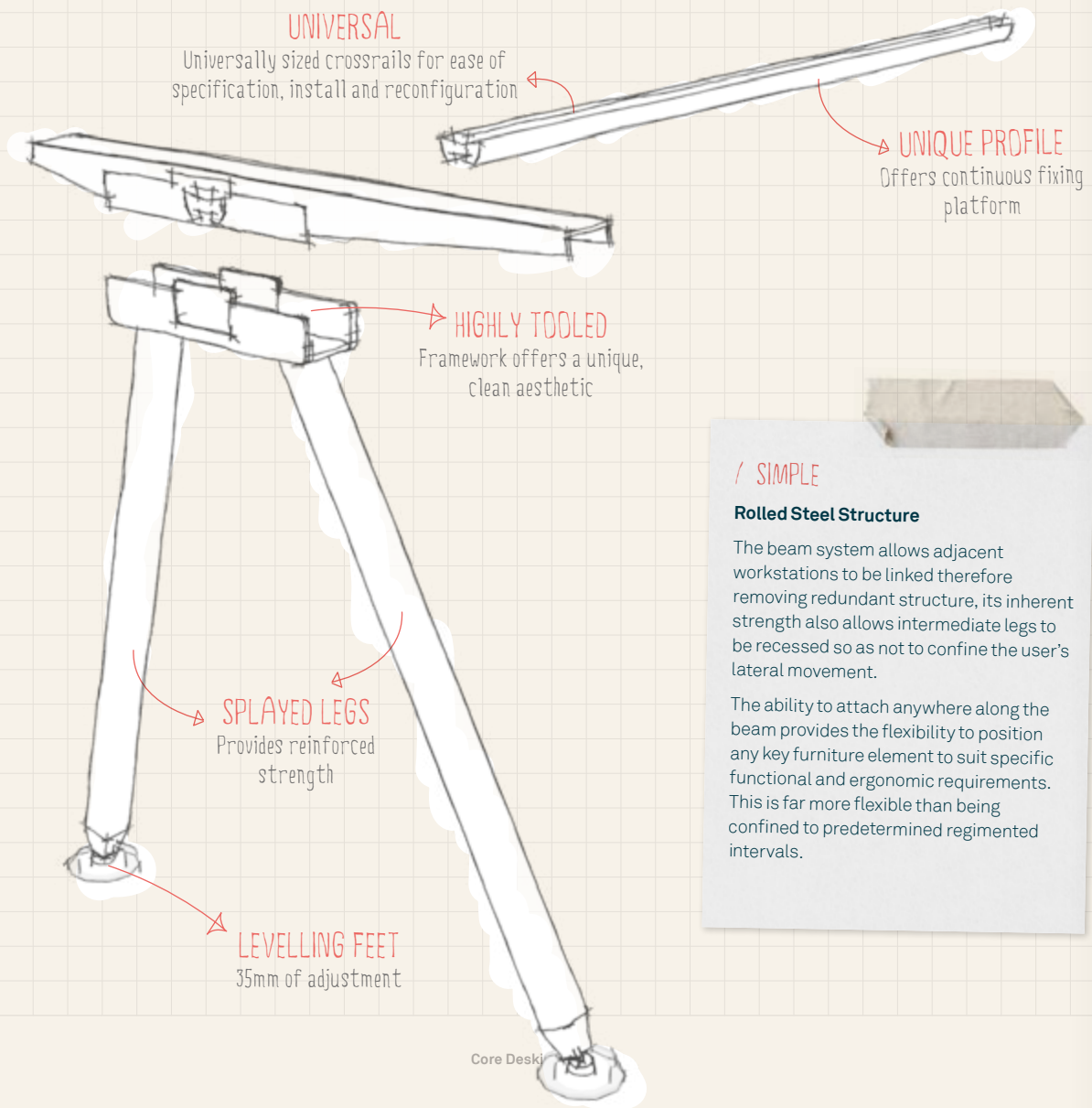
LEG COLOURS

Silver	White

STRUCTURE



Core incorporates a splayed leg design which provides the system with a reinforced strength whilst bringing a visual lightness to single and grouped workstations.



7 SIMPLE

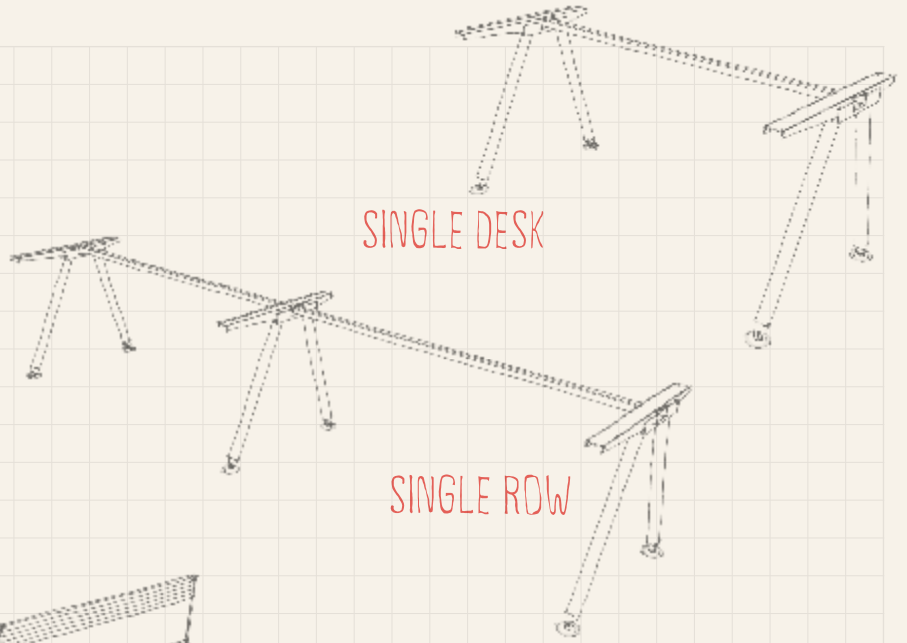
Rolled Steel Structure

The beam system allows adjacent workstations to be linked therefore removing redundant structure, its inherent strength also allows intermediate legs to be recessed so as not to confine the user's lateral movement.

The ability to attach anywhere along the beam provides the flexibility to position any key furniture element to suit specific functional and ergonomic requirements. This is far more flexible than being confined to predetermined regimented intervals.

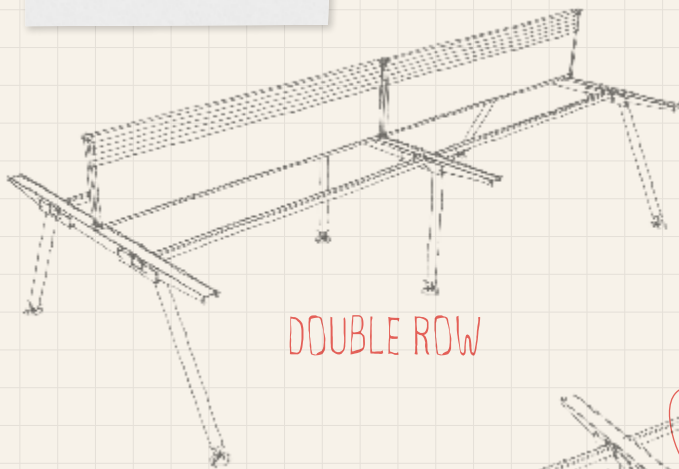
Flexibility to Change

The leg frames and structural principle are the same regardless of application or hand and can be assembled and reassembled limitless times without loss of performance.

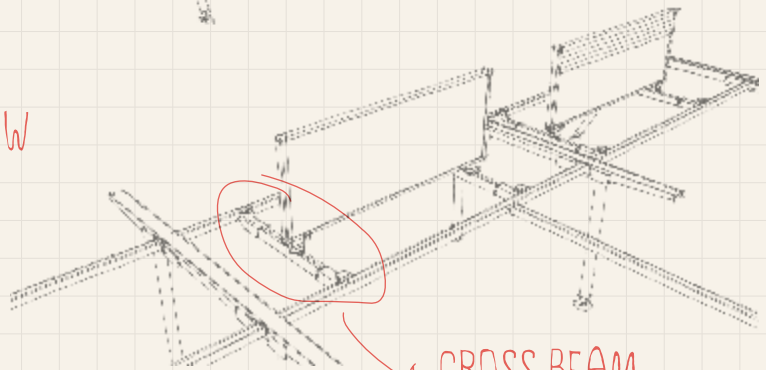


SINGLE DESK

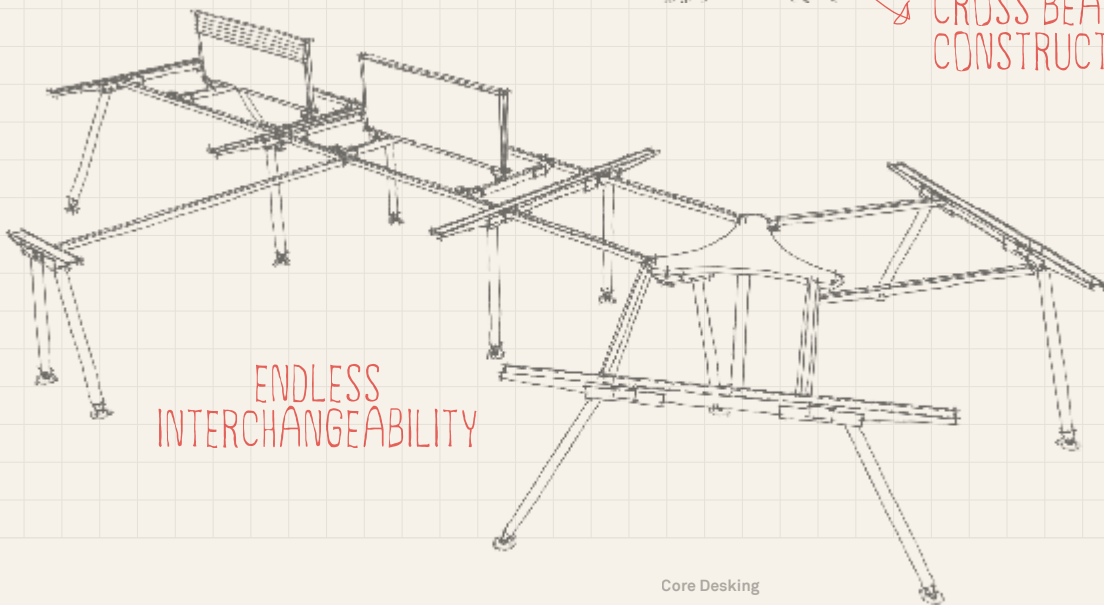
SINGLE ROW



DOUBLE ROW



CROSS BEAM CONSTRUCTION



ENDLESS INTERCHANGEABILITY

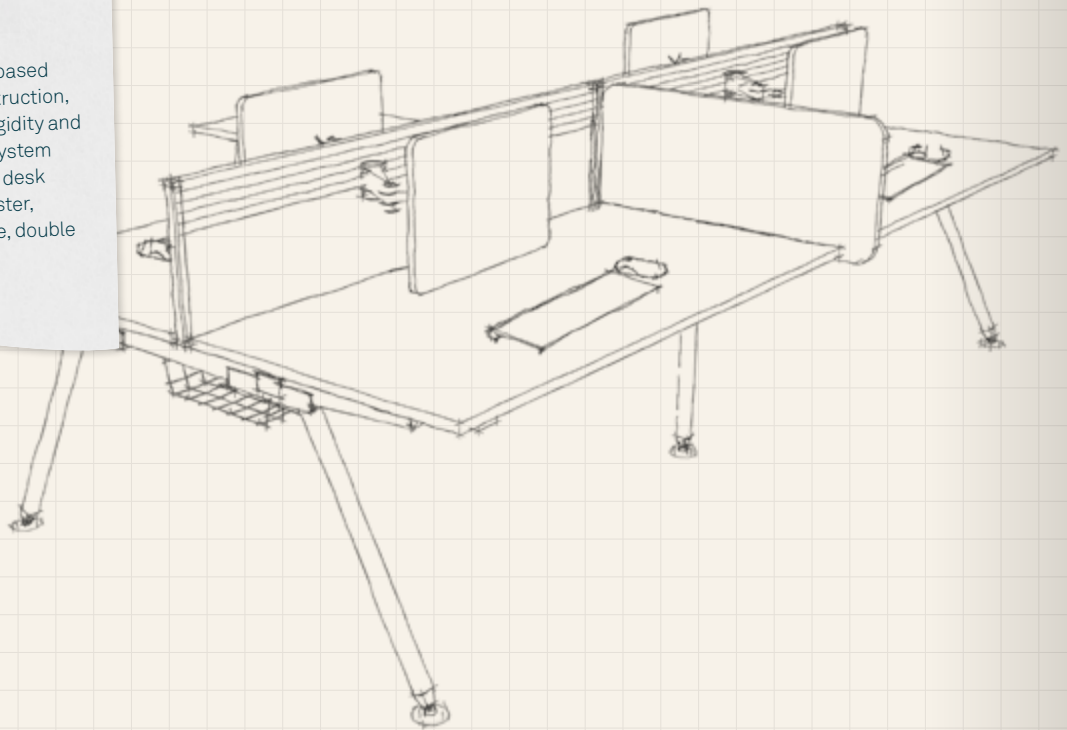
FLEXIBILITY



The flexibility designed into the system allows Core to provide a comprehensive range of different applications.

Specify

Core is a versatile desk system based around a horizontal beam construction, which provides structure and rigidity and allows for the fixing of various system elements. Available as a simple desk or multi-linked workstation cluster, incorporating rectangular, wave, double wave and 120° configurations.



DESKTOPS



RECTANGULAR



SLIMLINE



120°



WAVE



SLIMLINE WAVE



DOUBLE WAVE

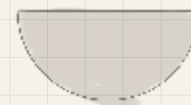
MEETING ENDS



RECTANGULAR



REDUCED

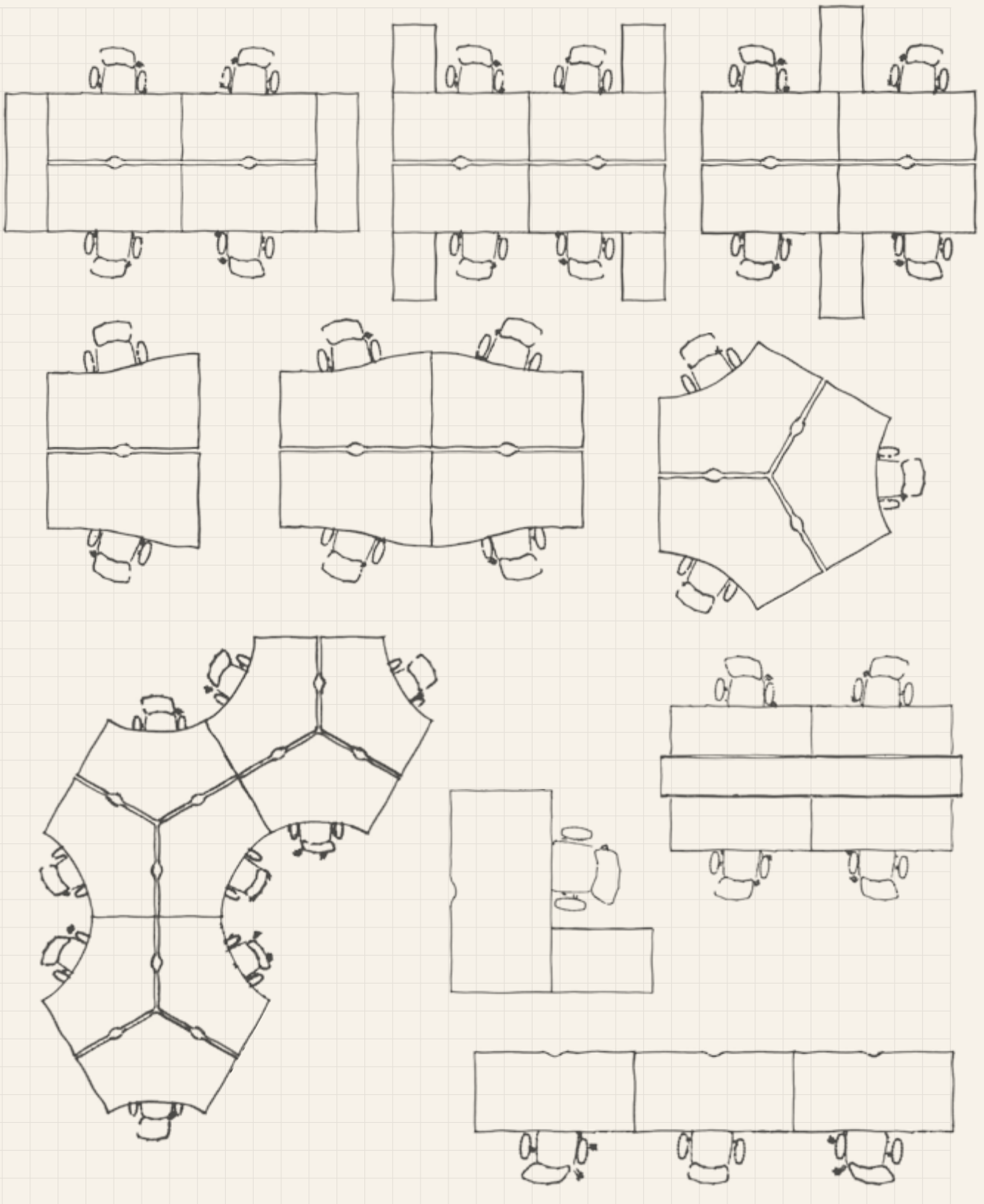


D-END



RETURN

Let's get into some detail

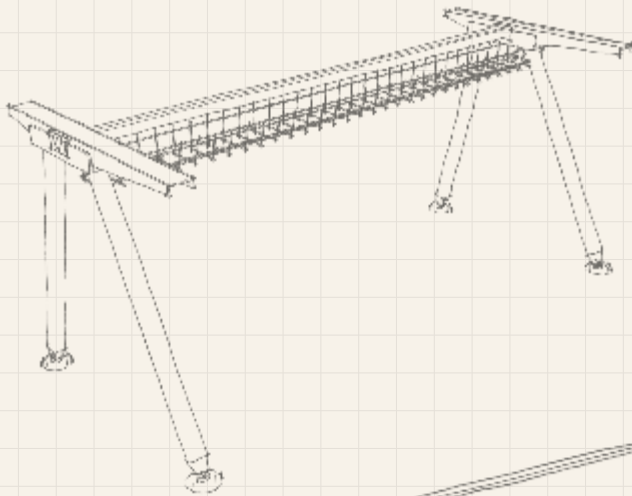


Core Desking

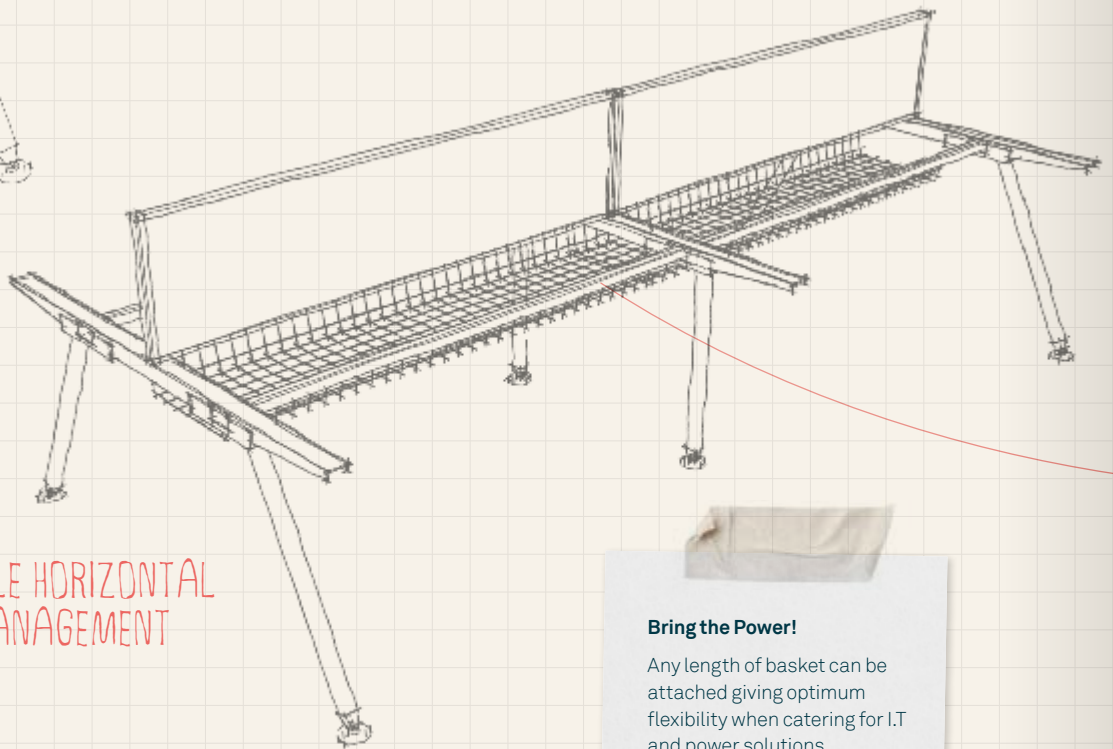
WIRE MANAGEMENT



Horizontal wire management can be achieved using a basket which hangs directly from the beam structure.



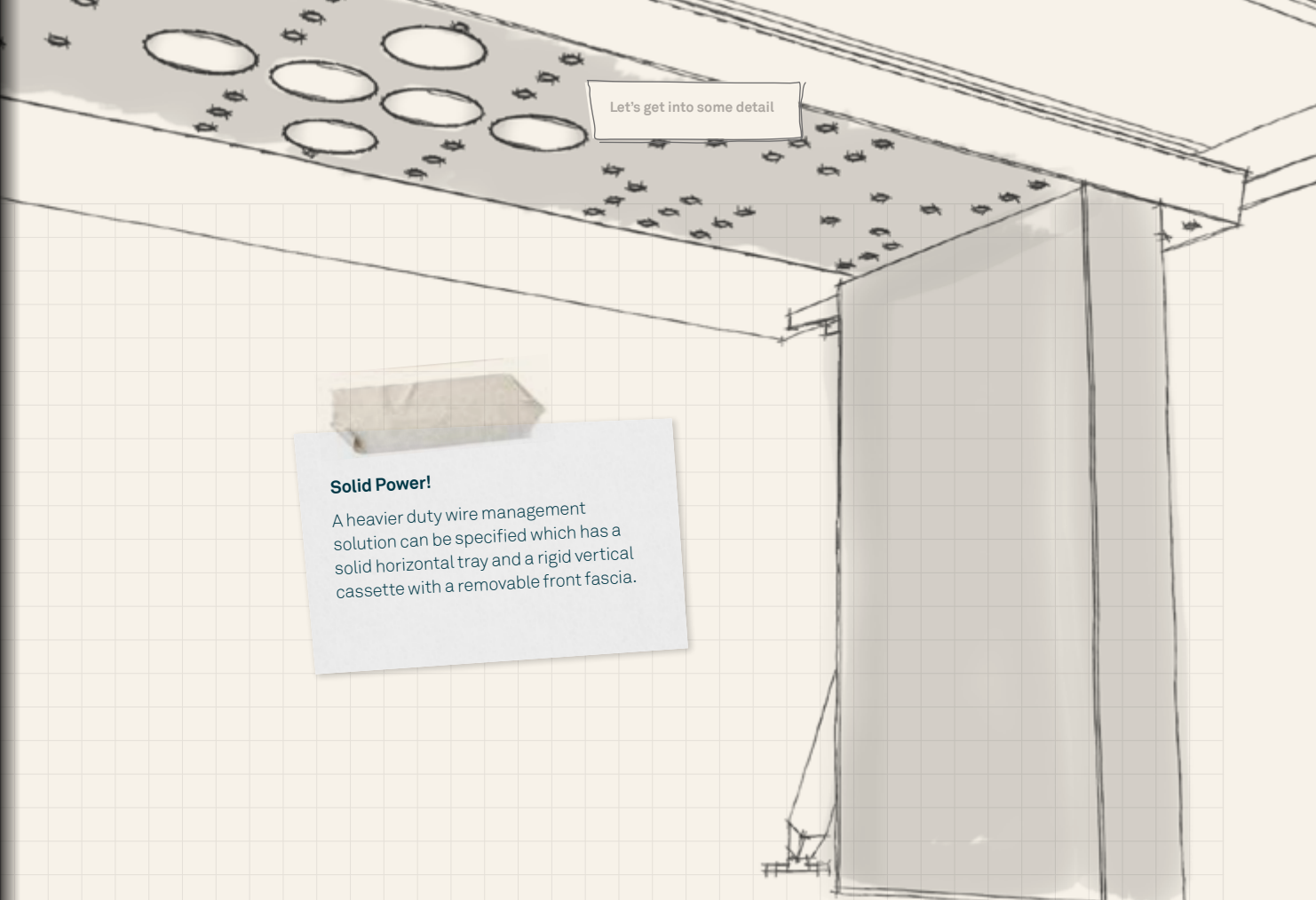
SINGLE HORIZONTAL
MANAGEMENT



DOUBLE HORIZONTAL
MANAGEMENT

Bring the Power!

Any length of basket can be attached giving optimum flexibility when catering for I.T and power solutions.

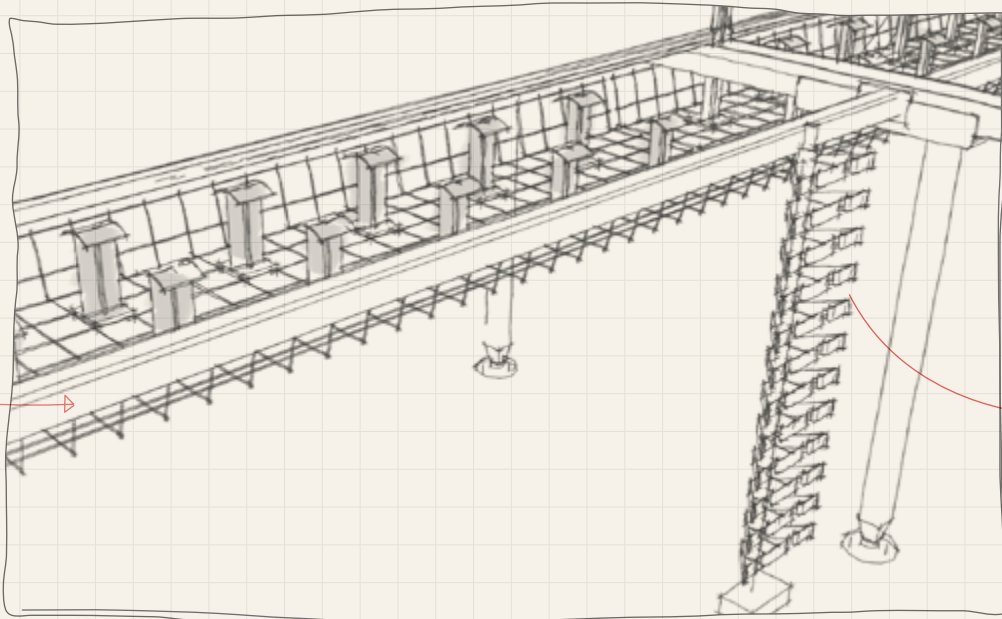


Let's get into some detail



Solid Power!

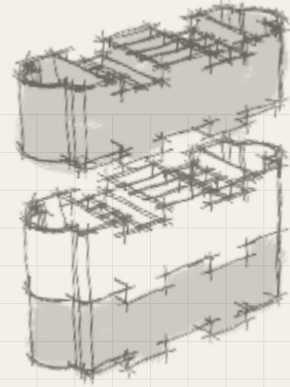
A heavier duty wire management solution can be specified which has a solid horizontal tray and a rigid vertical cassette with a removable front fascia.



▶ A system specific vertical riser attaches to the cable basket at any point along its length.

Horizontal wire baskets can have fins applied to it in order to gain three way segregation or simply compartmentalise the space for specific cabling applications.

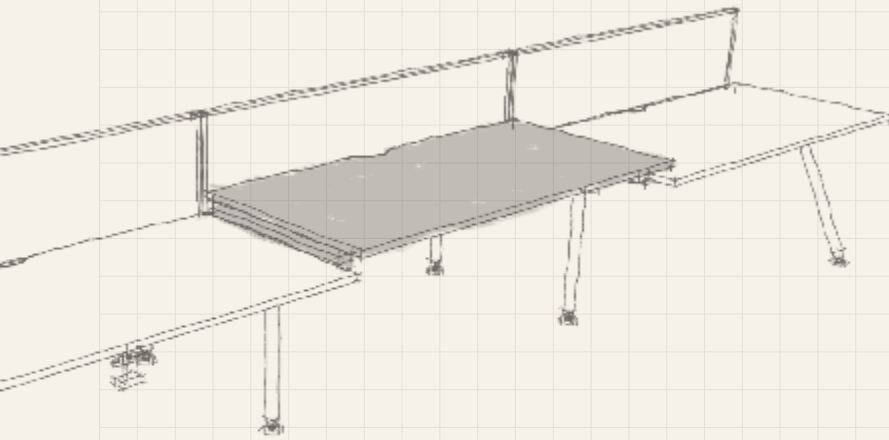
Let's get into some detail



HEIGHT BLOCKS



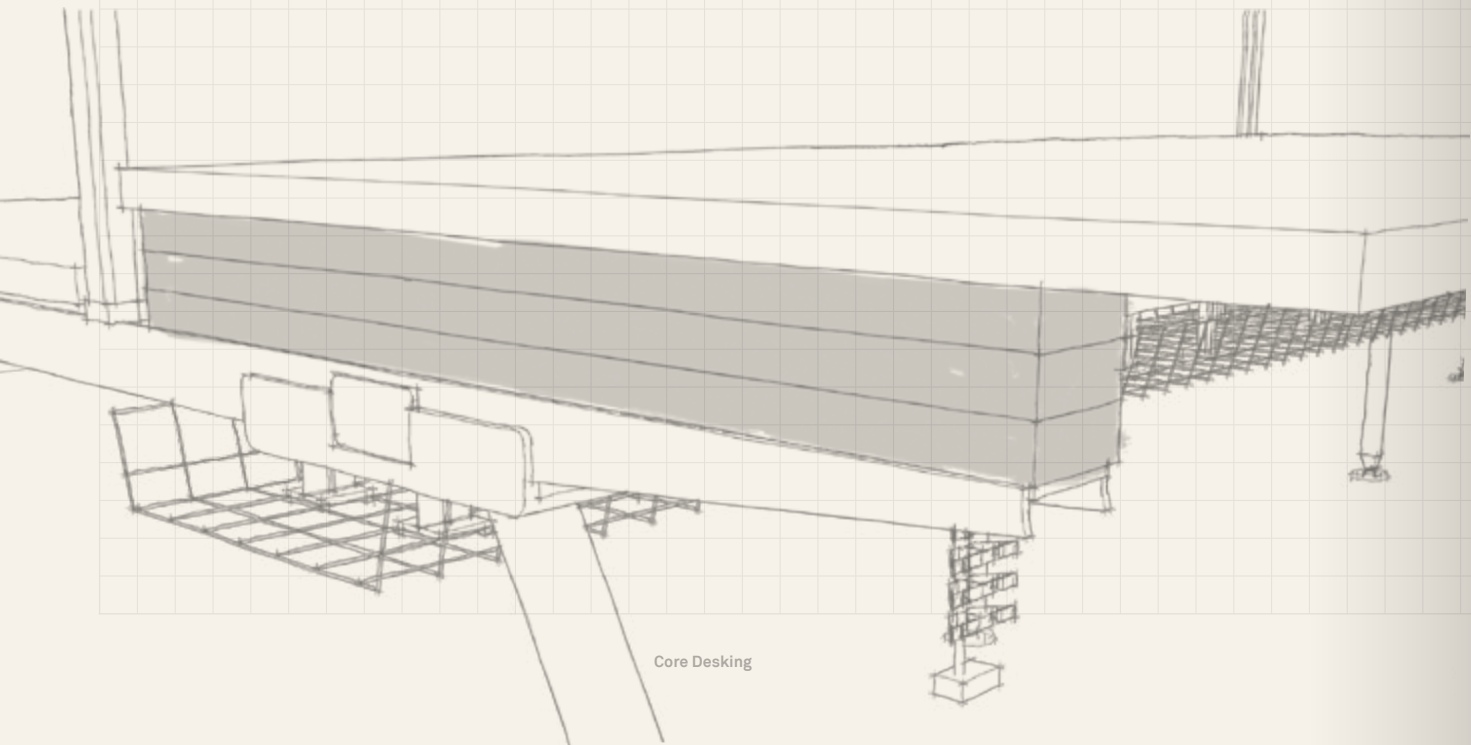
Individual worksurfaces can be raised from the standard 730mm high position in 25mm increments by the use of stackable spacer blocks.



Raise it Up!

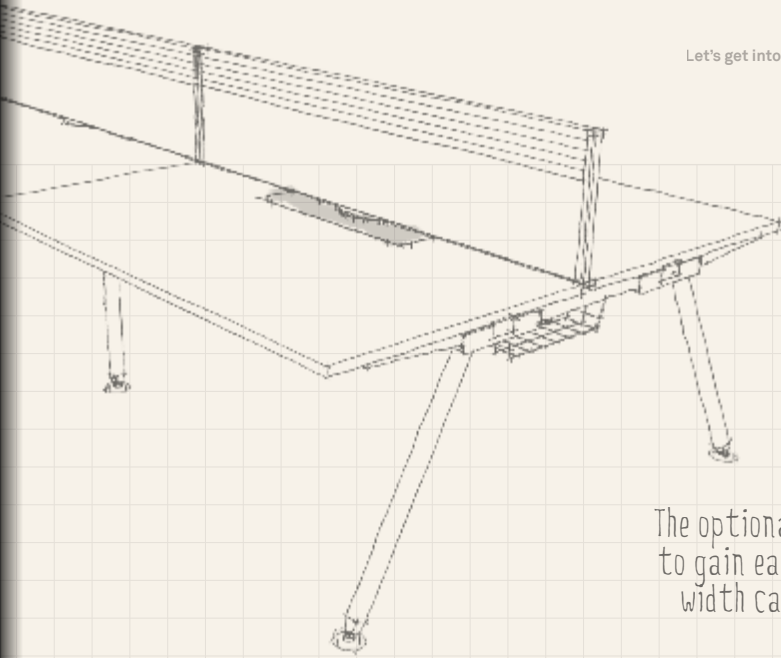
The blocks have been tooled into a profile that allows them to sit on the beam and stack one on top of another. To raise the worksurface it first needs to be removed and the appropriate amount of spacers added onto the beams.

The worksurface can then be reapplied and fixed to the framework in the standard manner by using the longer fixing bolts that are supplied with the height adjustable kits.



Core Desking

Let's get into some detail



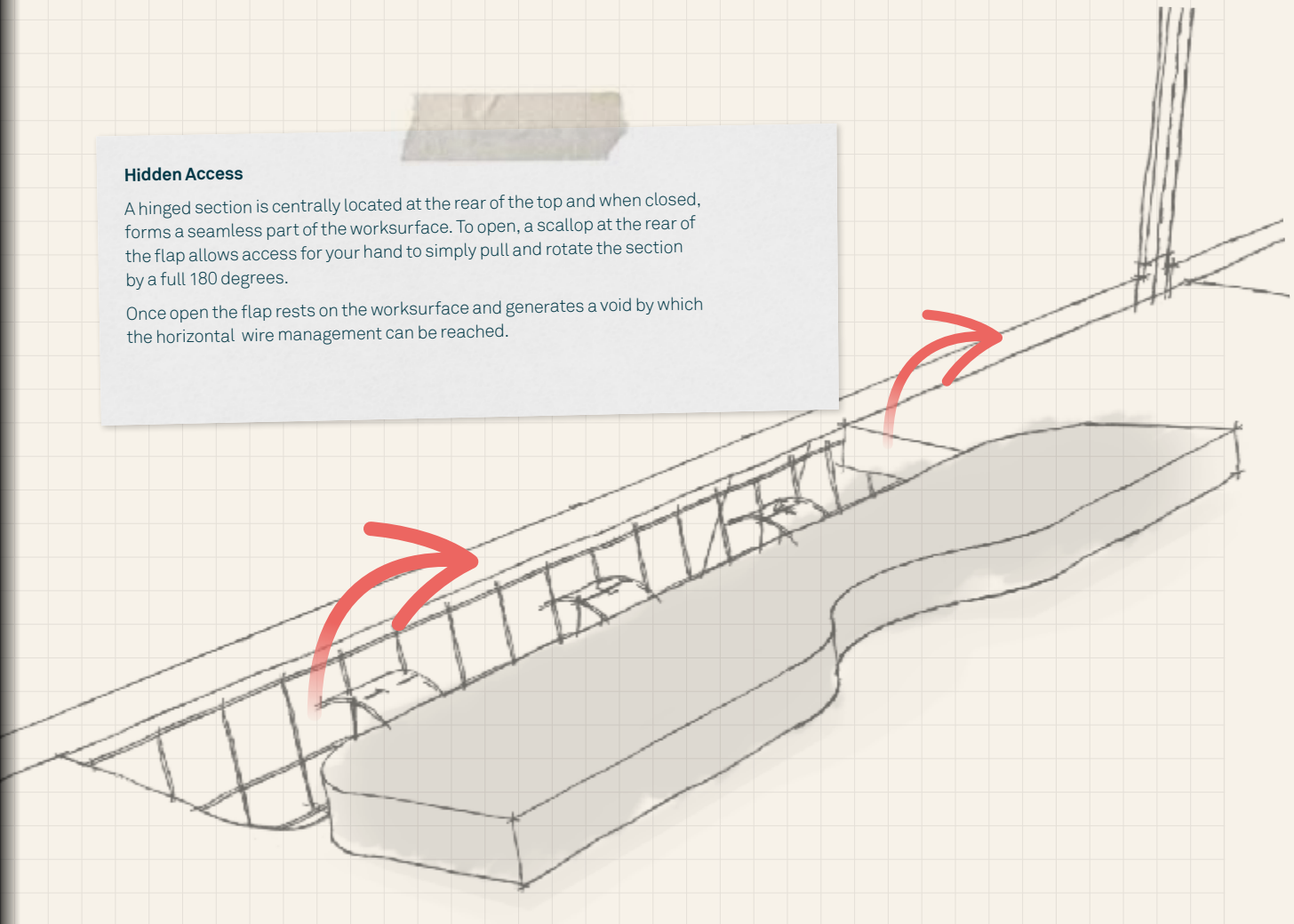
FLIP TOP

The optional flip top function is an alternative way to gain easy access to a large section of the double width cable basket from above the worksurface.

Hidden Access

A hinged section is centrally located at the rear of the top and when closed, forms a seamless part of the worksurface. To open, a scallop at the rear of the flap allows access for your hand to simply pull and rotate the section by a full 180 degrees.

Once open the flap rests on the worksurface and generates a void by which the horizontal wire management can be reached.



Need it digital?

A copy of this book, product rotations, high resolution images, CAD symbols and more detailed product information are all on our website.

thesenatorgroup.com

Section Three

CHEMISTRY DESKING

The Chemistry range of workstations have been developed for modern working environments. Chemistry creates a stylish yet flexible solution which improves productivity and facilitates diversity for individuals and teams.

026 Chemistry / 034 Chemistry Tables /
037 Chemistry Height Adjustable

Chemistry

A NEW DESKING FORMULA

Chemistry Workstations can be configured as individual desks or as bench solutions that share components, allowing for the integration of partitions that form touch down workstations or meeting spaces. The range incorporates two leg styles and the ability to integrate sliding tops for ease of access to integrated cable management.





Chemistry

A CATALYST FOR CHANGE

It is widely recognised that the 'one size fits all' approach to office planning is no longer reflective of the way most businesses see themselves working in the future. Chemistry has been designed to incorporate a number of key elements that will facilitate the flexibility and diversity that many architects and clients are looking for.









Chemistry

As the modern workplace evolves, there is a declining demand for the 'one size fits all' approach. Instead, workplaces require spaces that are flexible and collaborative, facilities that are efficient and streamlined, combined with an atmosphere that can be both formal and informal.





Chemistry

ERGONOMIC IN DESIGN

Chemistry Meeting Tables share the same frame as Chemistry Workstations for consistent design aesthetics. Options for in desk power and cable management provide practical features for professional environments.



Chemistry

**REACHING
NEW
HEIGHTS**

Chemistry incorporates a height adjustable workstation solution allowing the user the option to vary their posture and stand whilst working.





Let's work together

Chemistry

Chemistry features a back to back height adjustable bench leg option that allows the user to quickly set their optimum working height by means of a responsive manual adjustment or via a push button electronic mechanism.



Let's work together

NEED IT DIGITAL?

A copy of this book, product rotations, high resolution images, CAD symbols and more detailed product information are all on our website.

—
thesenatorgroup.com

Let's work together

Let's Get Into
Some Detail

CHEMISTRY

DESKING

Senator

CHEMISTRY



25mm MFC FINISHES (WITH MATCHING EDGING)



Highland Oak



English Oak



Maple



Beech



White



Autumn



Winter Oak



Strata Oak



Mocha

CONTRAST EDGING



Ply Effect



Silver Ply

FRAME COLOURS



Silver

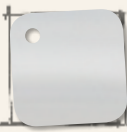


Black

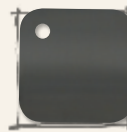


White

LEG COLOURS



Silver



Black



White

STRUCTURE

A dual rail structure offering enhanced strength and stability whilst maximising flexible and collaborative working.

Modular

Chemistry is a modular bench system ordered as a starter, or 'add on' desk. Available in back to back or in-line format with options for fixed or sliding tops, standard or 'O' legs.

DUAL RAIL

For enhanced strength and stability

UNIVERSAL

Universally sized crossrails, with inherent adjustment

GO WITH THE FLOW

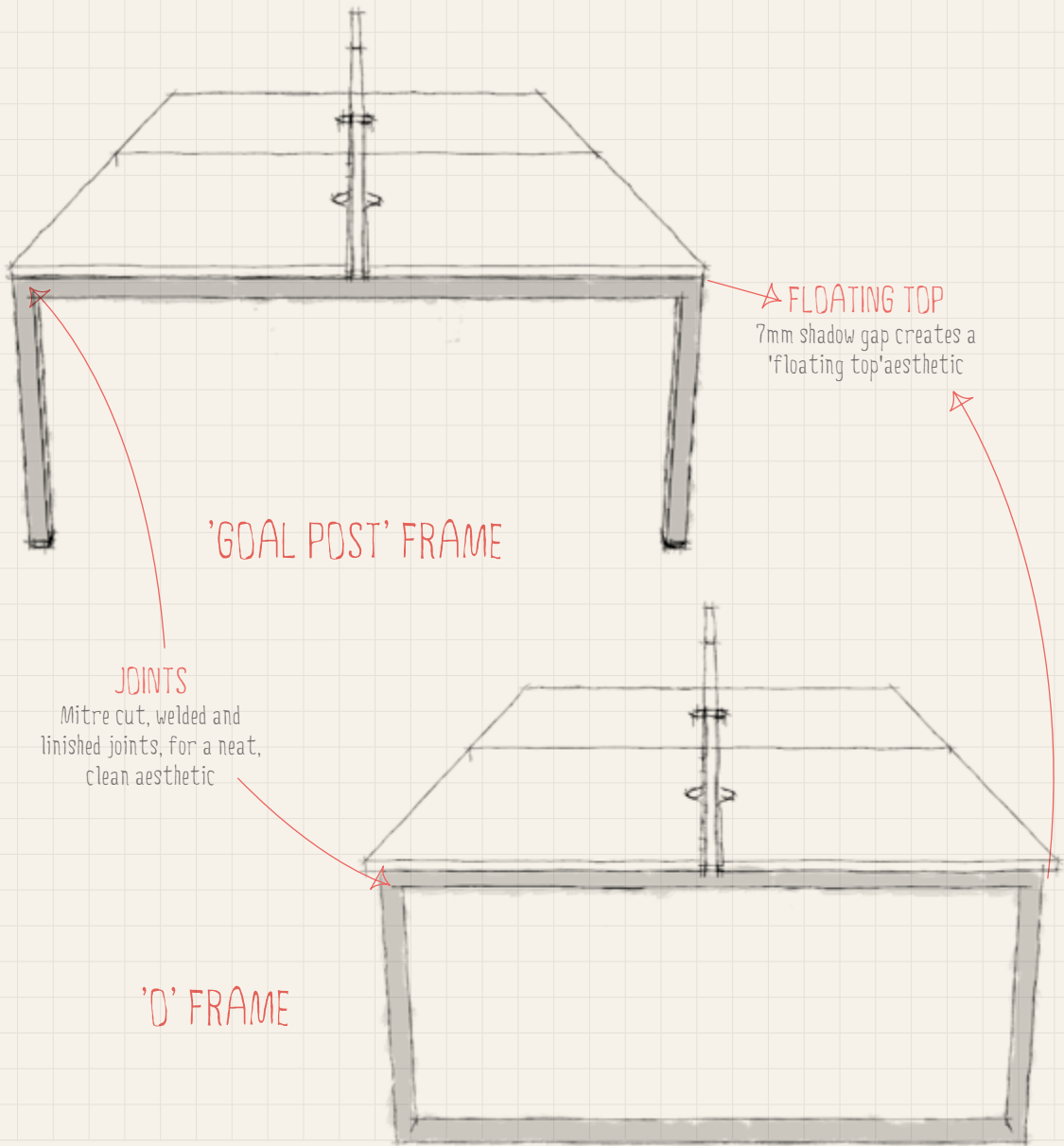
Levelling feet standard on all leg frame options, offering 50mm adjustment

CHOOSE YOUR STYLE

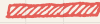
Settable end leg position to suit user preference. Flush or 5mm inset

DESIGN

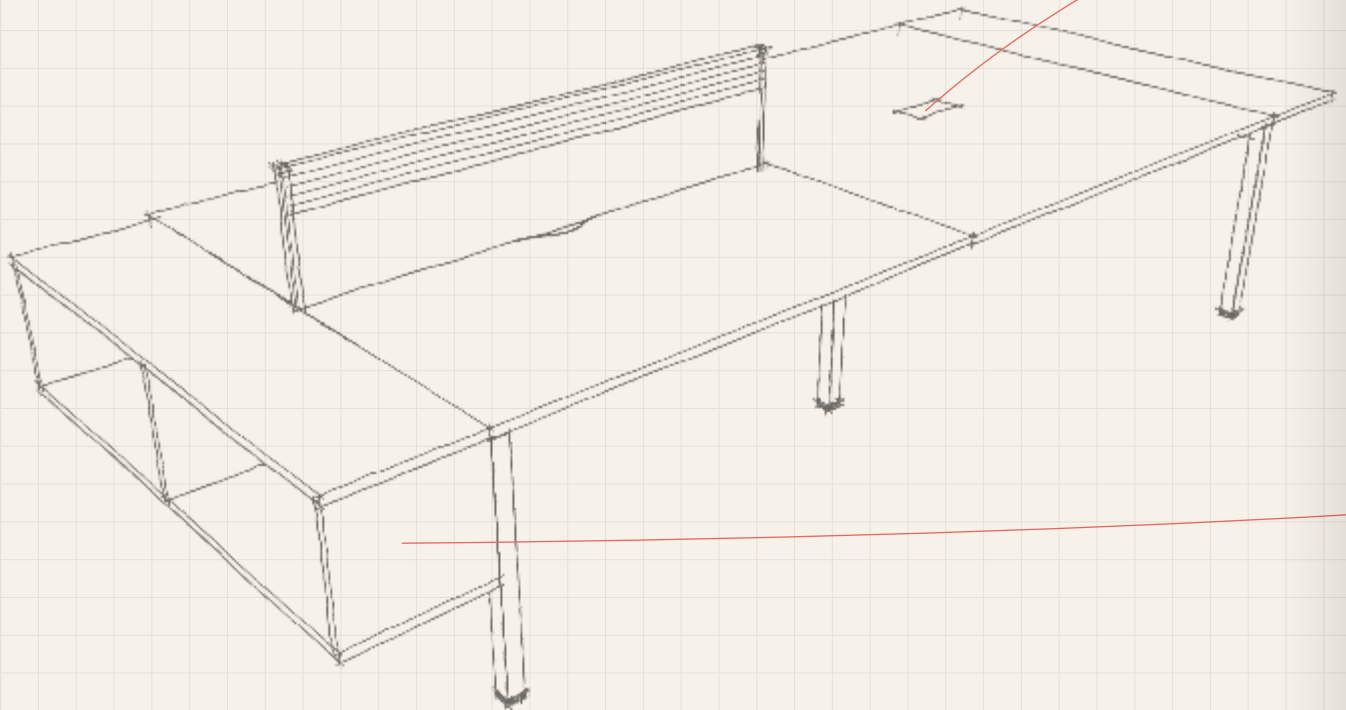
The design of Chemistry is a response to the needs of today's office furniture market, where simple elegance and inherent functionality are a must to meet a multitude of demands.



FLEXIBILITY



The flexibility designed into the structure allows Chemistry to provide a comprehensive range of different applications.



DESKTOPS



RECTANGULAR

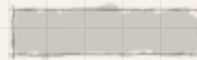


RETURN



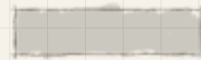
MEETING TABLE

MEETING ENDS



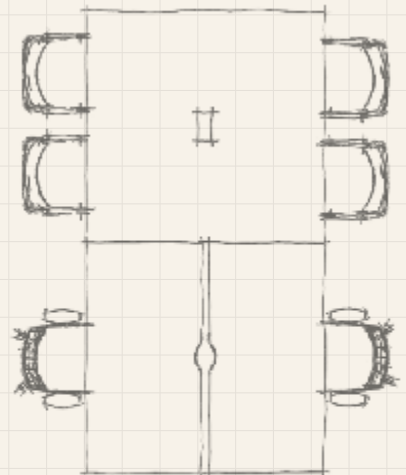
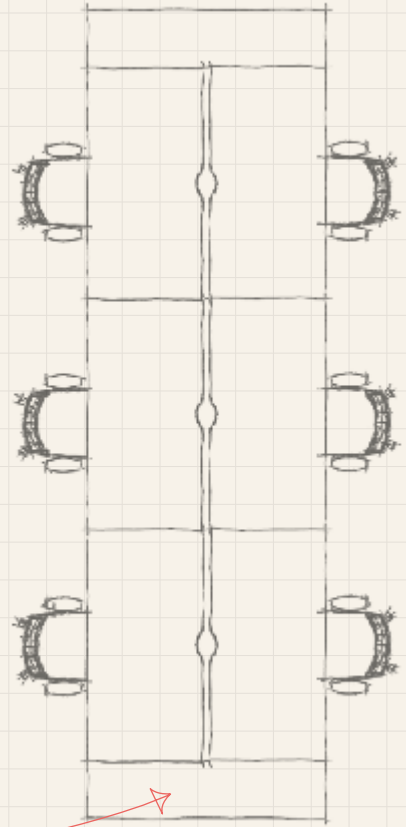
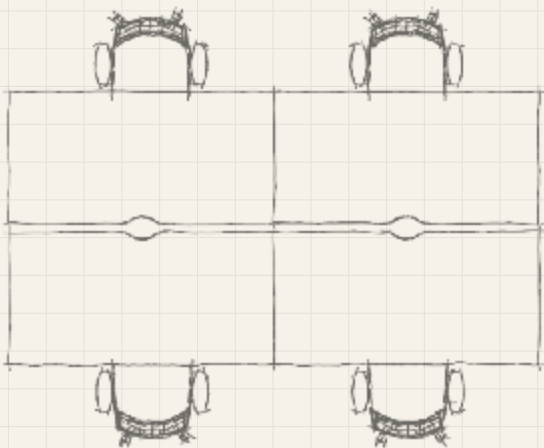
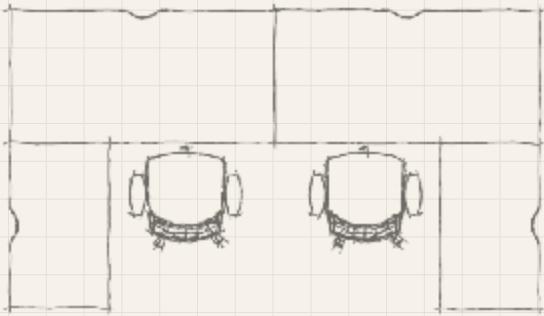
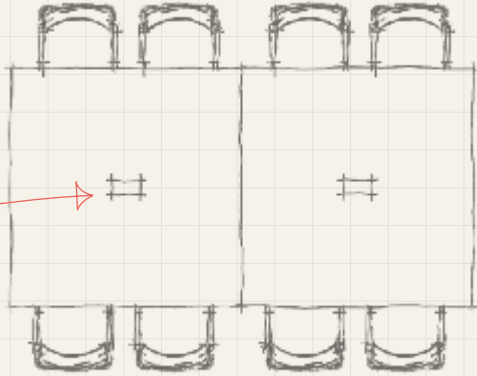
RECTANGULAR

STORAGE ENDS



RECTANGULAR

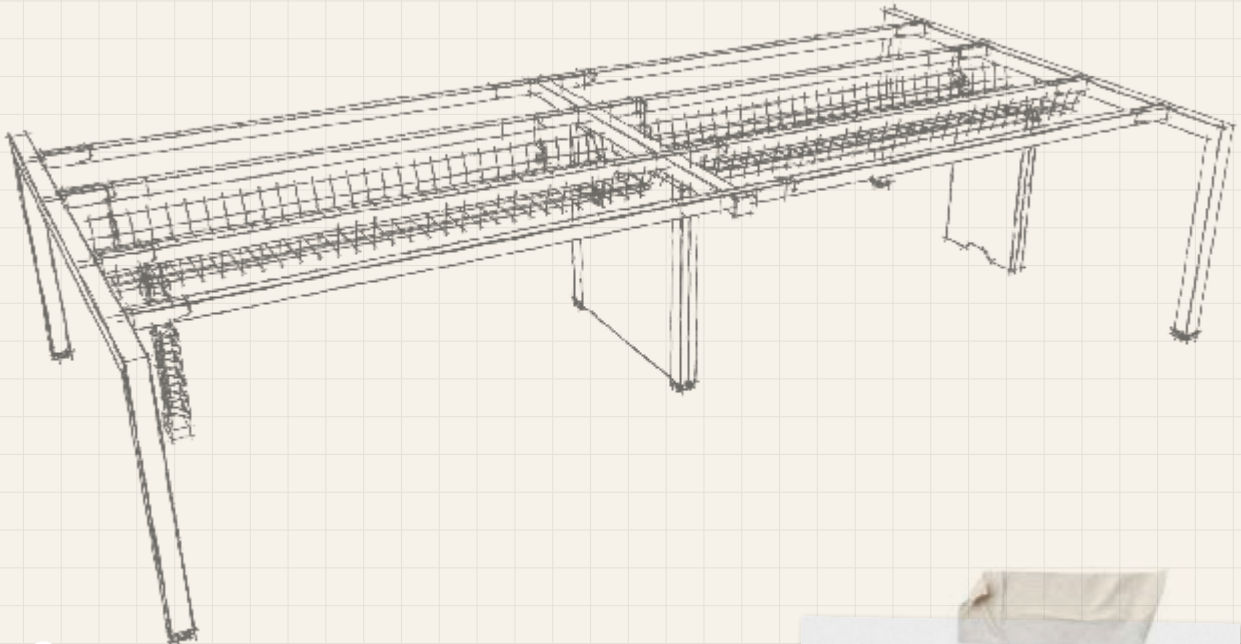
Let's get into some detail



WIRE MANAGEMENT



A complete cable management offering facilitates all I.T. requirements, allowing users to specify a system that meets their exact requirements.



VERTICAL RISER



MID LEG RISER



DOUBLE RISER

Bring the Power!

Both steel cable trays and wire baskets can be specified in single and double configurations when catering for I.T. and power solutions.

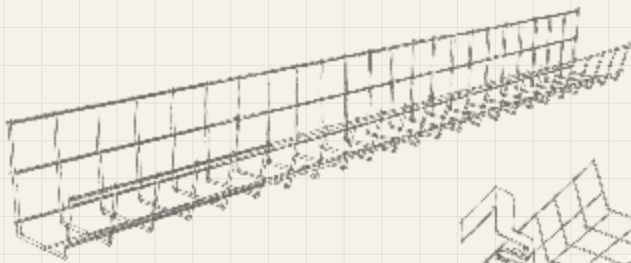
Let's get into some detail

Quick Release Mounting Brackets

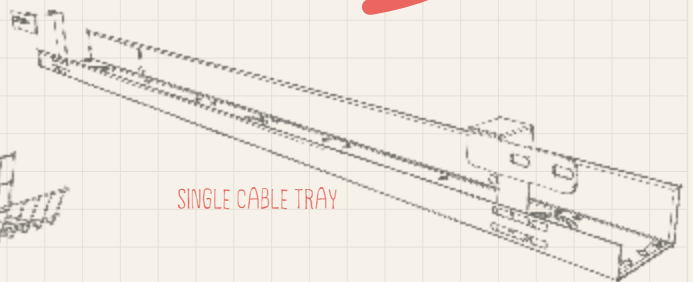
All double cable management trays and baskets benefit from quick release mounting brackets. The brackets not only allow quick, easy and secure first off installation, but are invaluable in providing a simple method of releasing the tray, allowing it to safely drop.



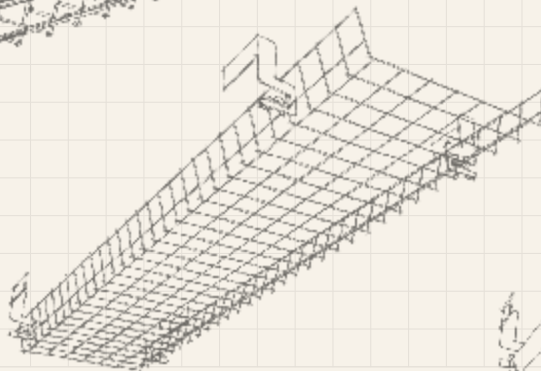
QUICK RELEASE



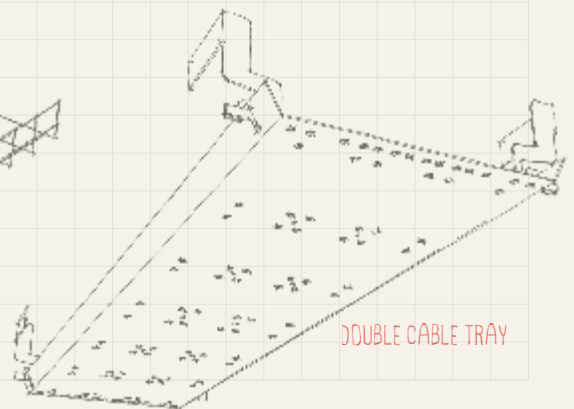
SINGLE BASKET



SINGLE CABLE TRAY

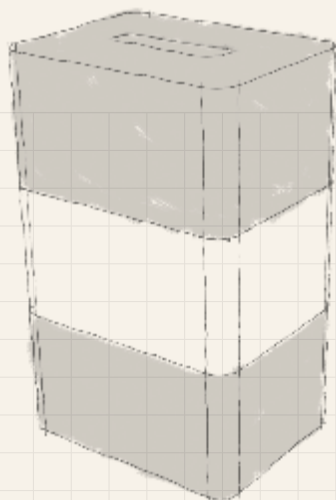


DOUBLE BASKET



DOUBLE CABLE TRAY

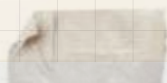
Let's get into some detail



HEIGHT BLOCKS



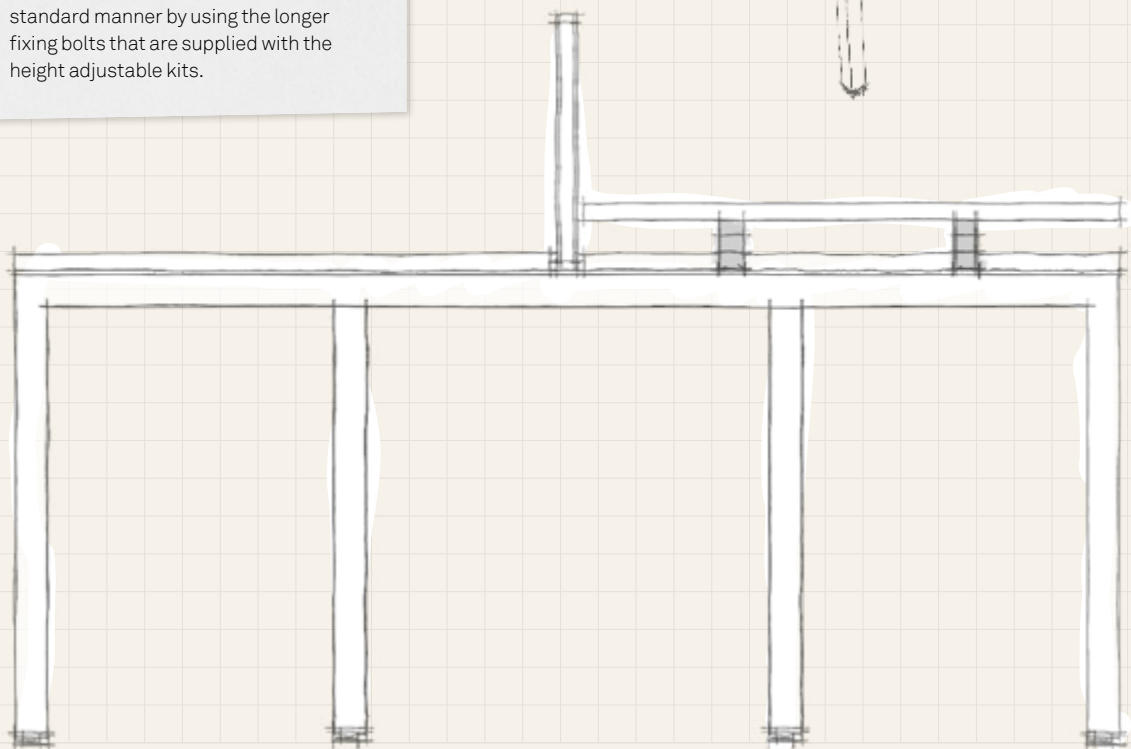
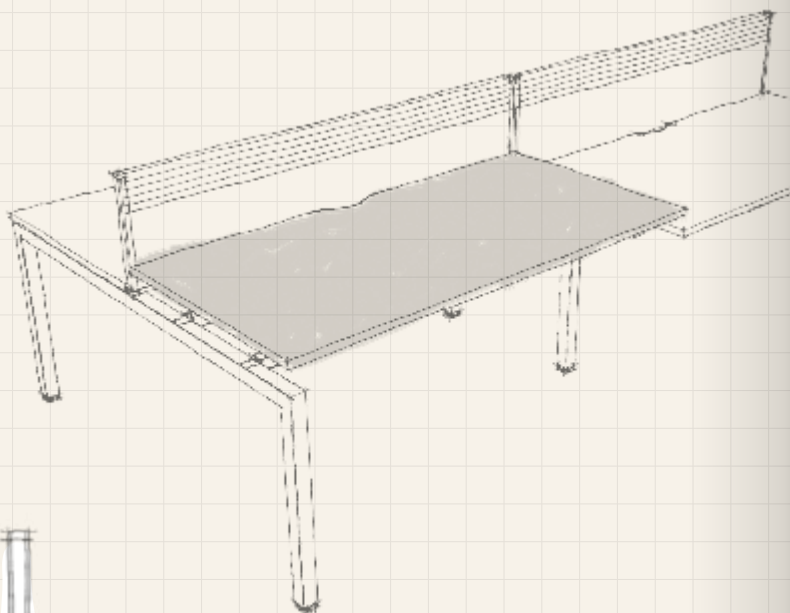
Individual worksurfaces can be raised from the standard 730mm high position in 25mm increments by the use of stackable spacer blocks.



Raise it Up!

The blocks have been tooled into a profile that allows them to sit onto the beam and stack one on top of another. To raise the worksurface it first needs to be removed and the appropriate amount of spacers added onto the beams.

The worksurface can then be reapplied and fixed to the framework in the standard manner by using the longer fixing bolts that are supplied with the height adjustable kits.



Let's get into some detail

Slide...



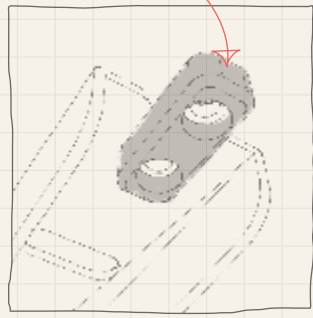
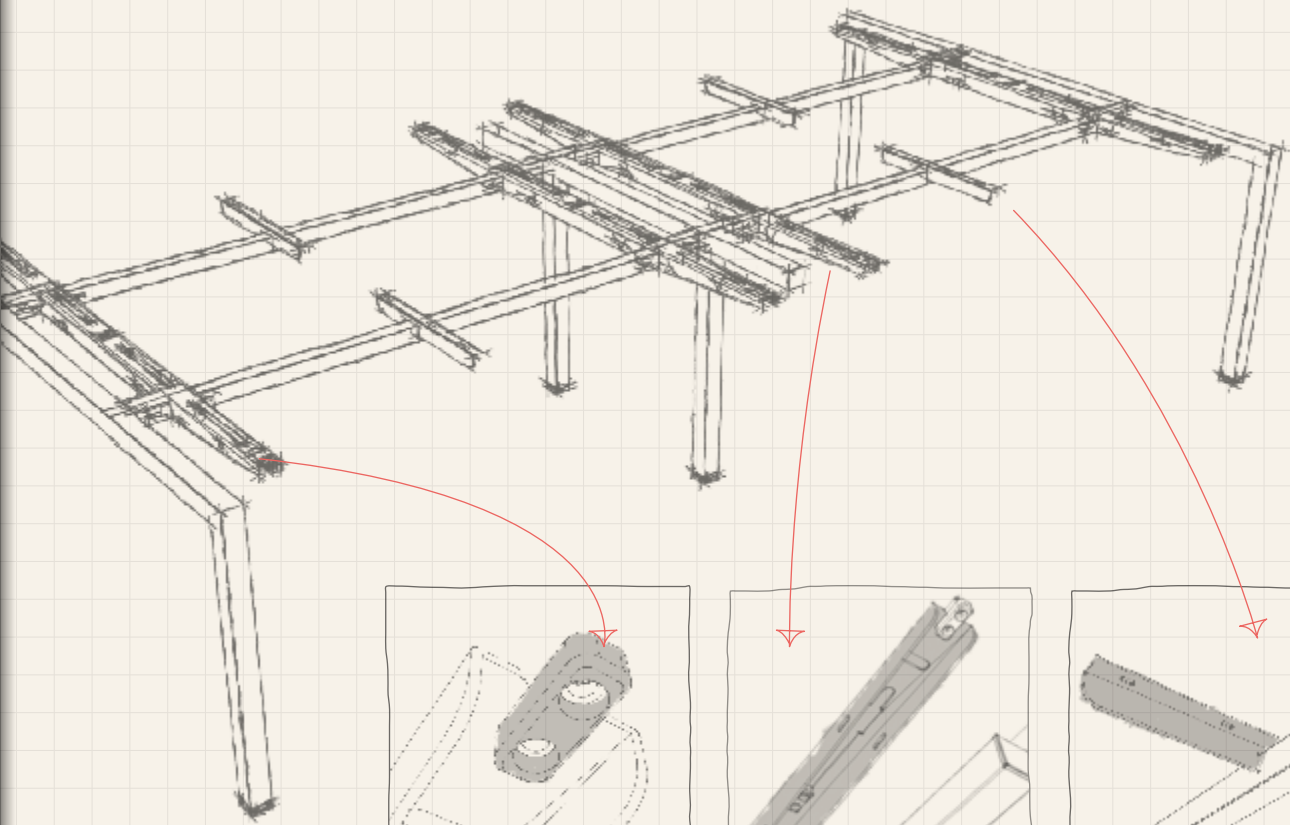
Incorporating matching aesthetics and modularity, Chemistry can also be specified as a dedicated slide top system.



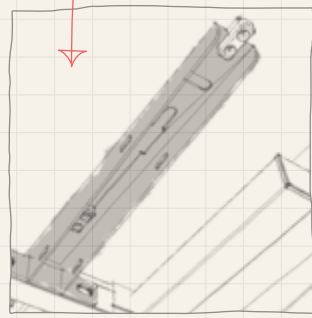
SLIDING TOP



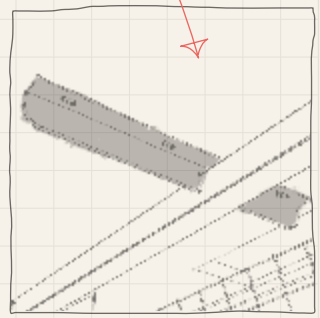
The optional sliding top function allows easy access to the full length of the double width cable basket



SLIDE GASKET
Dedicated slide gasket, in self lubricating Acetal, for continued ease of operation



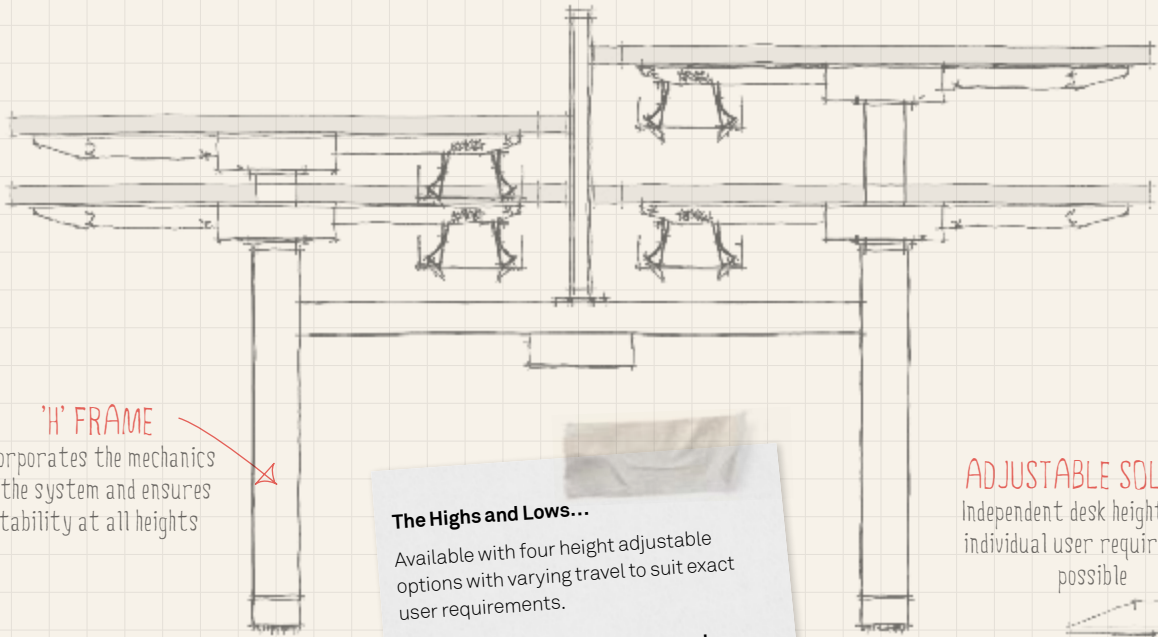
OUTRIGGERS
Slide frame outriggers produced from high tensile steel for maximised strength



QUICK RELEASE
Quick release locking mechanism for activating and securing the slide function

HEIGHT ADJUSTABLE

Chemistry Height Adjustable desking is designed to fully interact with the user, whether that be in a seated or standing position.



'H' FRAME

Incorporates the mechanics of the system and ensures stability at all heights

The Highs and Lows...

Available with four height adjustable options with varying travel to suit exact user requirements.

Fixed desk
730mm high

Crank
650-850mm

Speedy crank
730-1230mm

Electric
650-1250mm

ADJUSTABLE SOLUTION

Independent desk heights make individual user requirements possible



CRANK HANDLE

Easy turn 'lockable' handle for crank and speedy crank operation



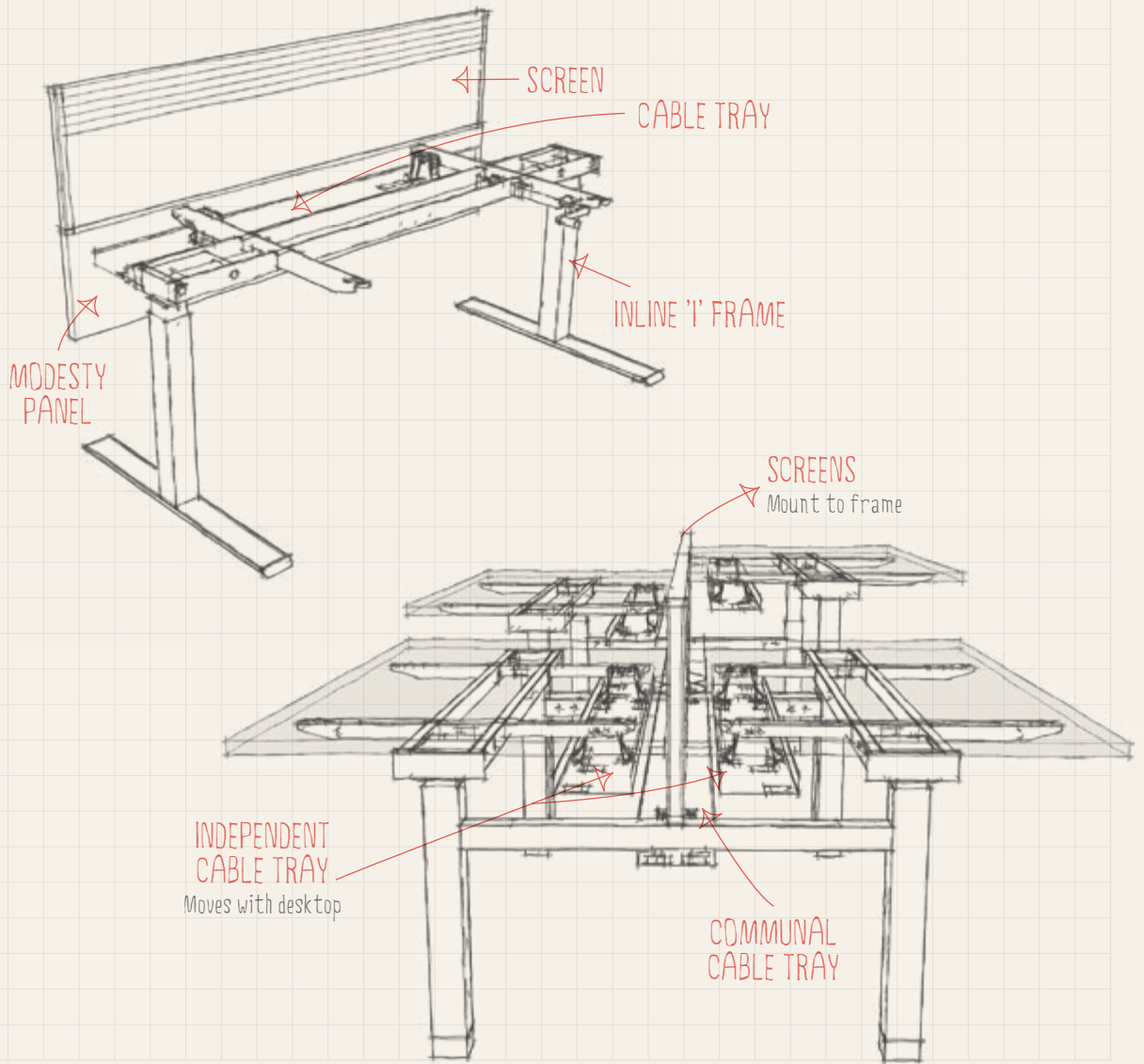
ELECTRIC MECHANISM

Touch control pad for electric operation

HEIGHT ADJUSTABLE



Chemistry Height Adjustable desking is available with a fully integrated quick release cable management system along with dedicated screen options.



Let's get into some detail

HEIGHT ADJUSTABLE



Need it digital?

A copy of this book, product rotations, high resolution images, CAD symbols and more detailed product information are all on our website.

thesenatorgroup.com

Section Four

STORAGE & SCREENS

Universal Storage and Screens have been designed as a solution to the changing requirements in the workplace, where personal accessibility of storage and dividers of space are far more important to the active environments of today.

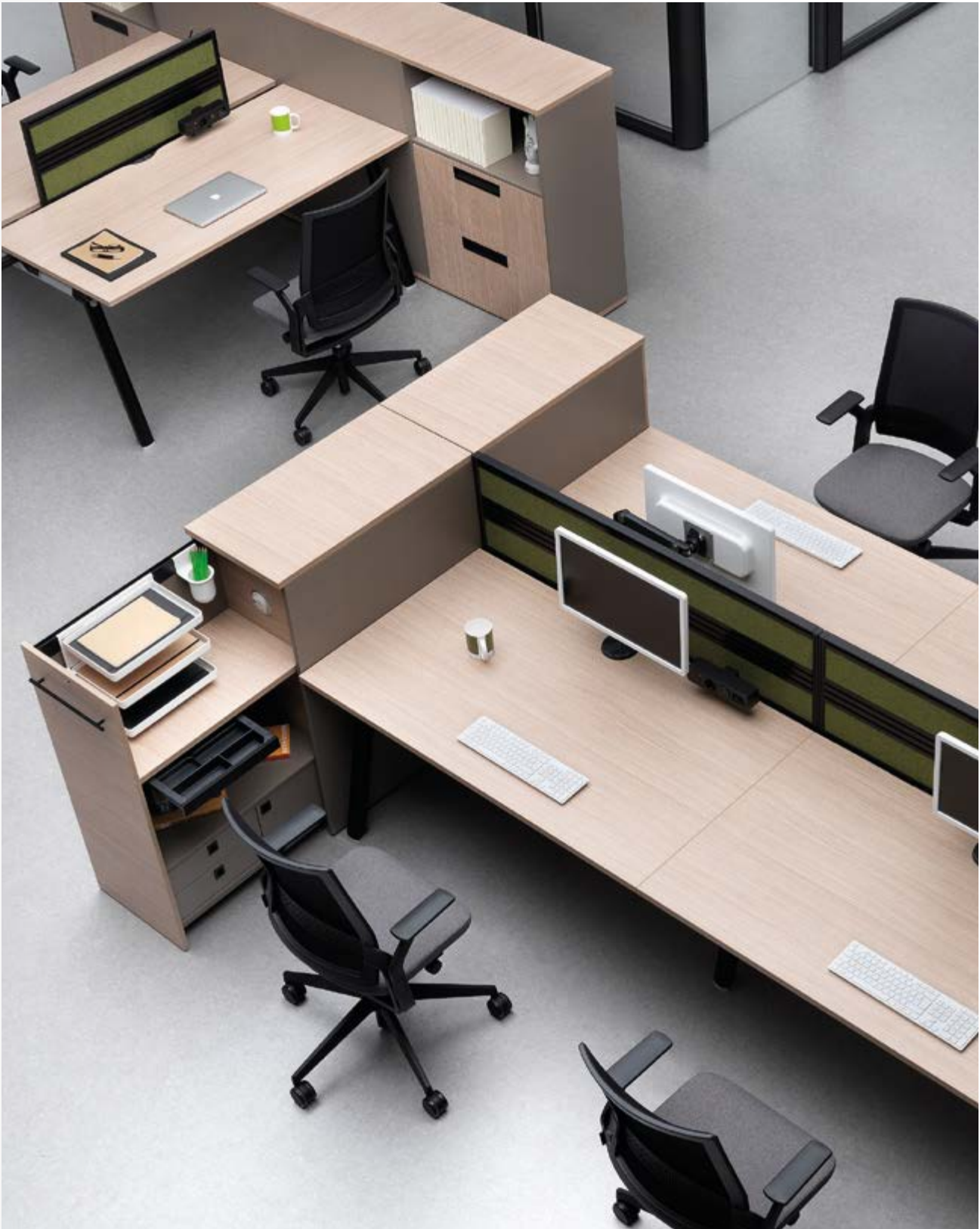
044 Universal Storage / 048 Universal Screens

Storage & Screens

SCIENCE OF AREA DIVISION

Universal Storage and Screens have been developed in a different way to the traditional filing system to respond to changing storage and privacy needs. Open shelves, drawers, flipper units, doors and screens support a wide range of equipment, all of which can be incorporated into the design.





Storage

With a variety of sizes, product options and finishes available, Universal Storage is a perfect complement to our full range of workplace solutions.











Screens

Chemistry Screens, can be freestanding or mounted to workstations to enable personal privacy. They can incorporate tool rails that utilise Senator's universal range of desktop accessories and monitor arms that allow users to personalise their own workspaces.



Let's work together



Let's work together

NEED IT DIGITAL?

A copy of this book, product rotations, high resolution images, CAD symbols and more detailed product information are all on our website.

—
thesenatorgroup.com

Innovation Engineered

**Let's Get Into
Some Detail**

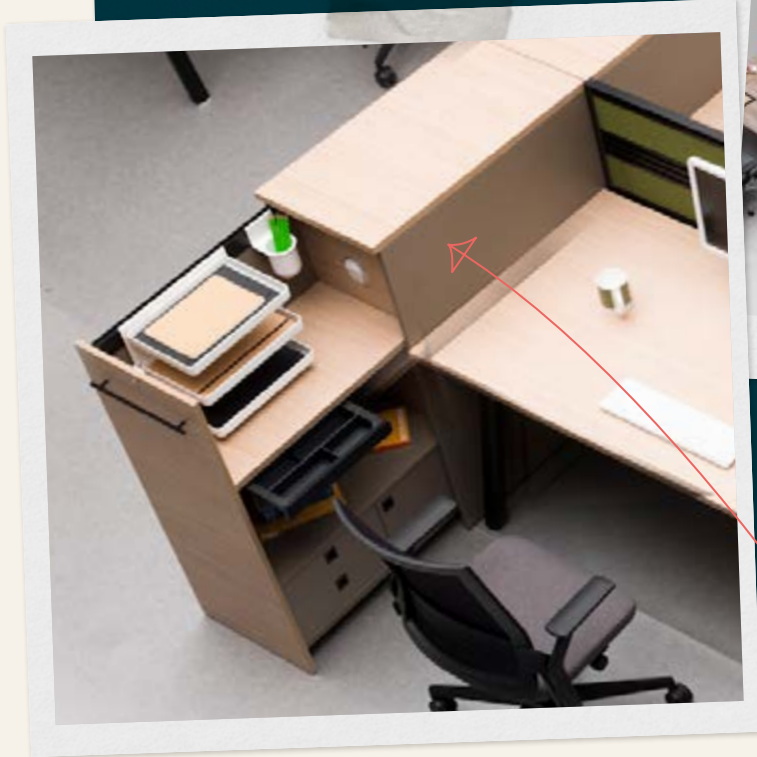
STORAGE & SCREENS

Senator

STORAGE



WINTER OAK



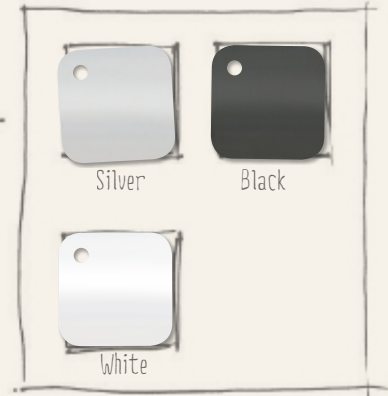
25mm MFC FINISHES



CONTRAST OPTIONS

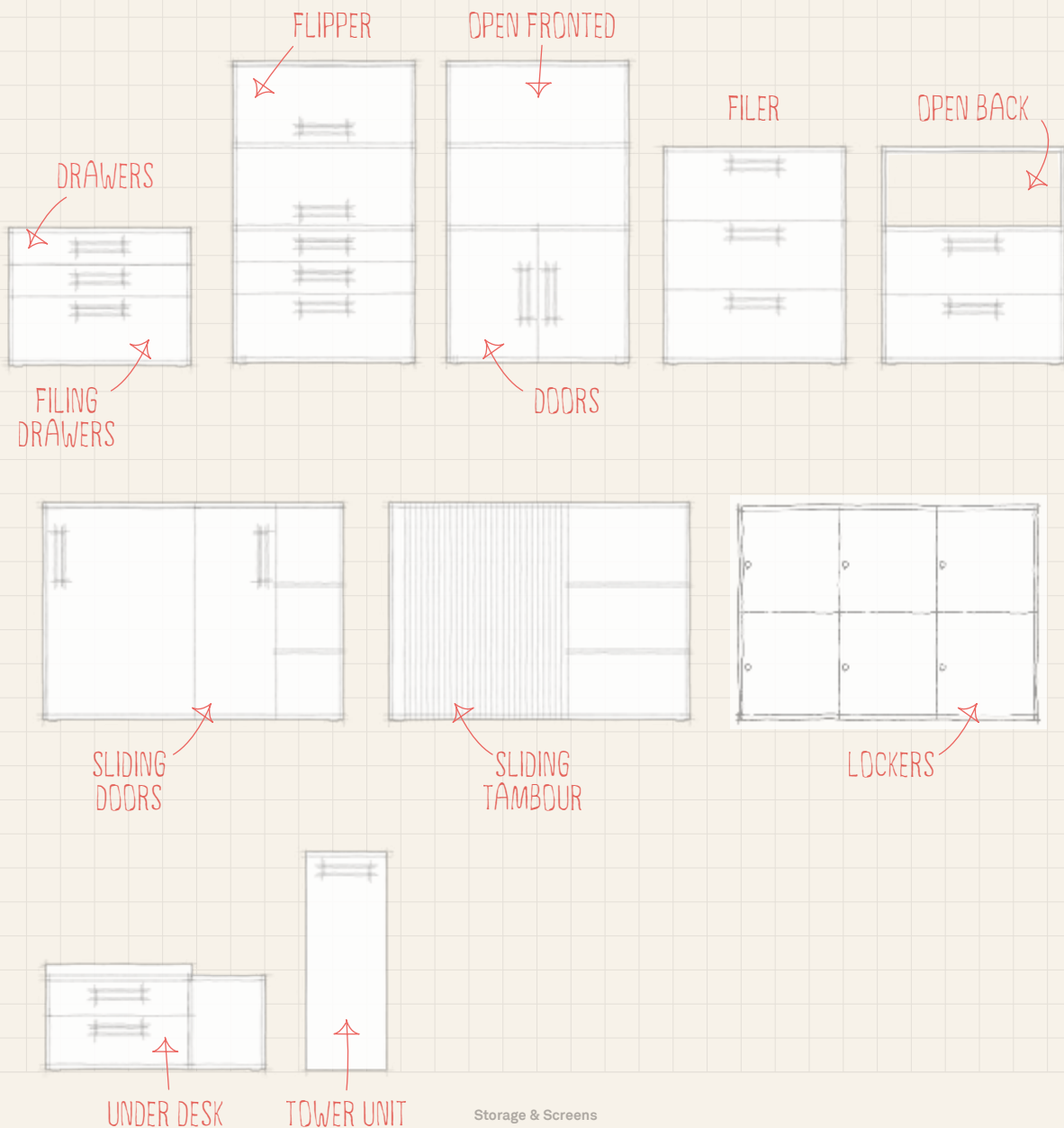


HANDLE COLOURS



PRINCIPLE TYPES

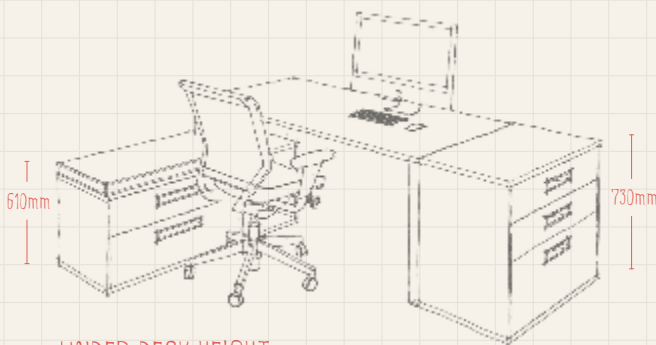
Twelve principle types are available to cater for all storage requirements



PRINCIPLE HEIGHTS

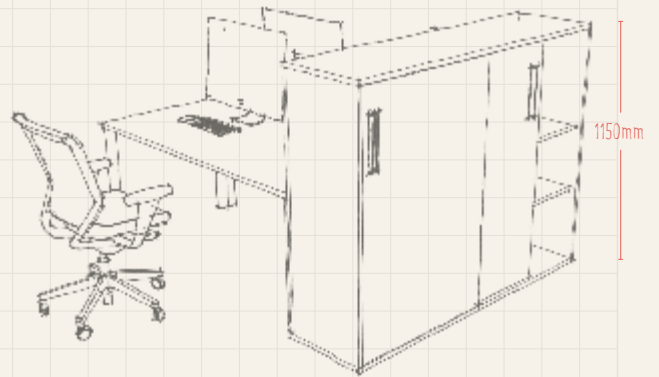


Designed as a response to the changing needs for storage in the workplace, where personal accessibility of storage and dividers of space is far more key to the active environments of today.

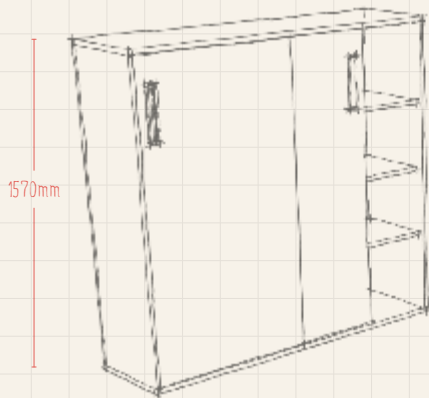


UNDER DESK HEIGHT

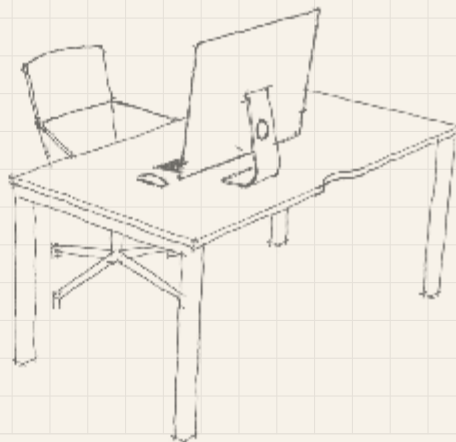
DESK HEIGHT



SCREEN HEIGHT



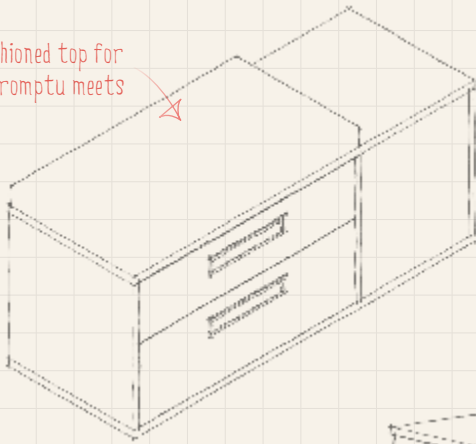
SPACE DIVIDER



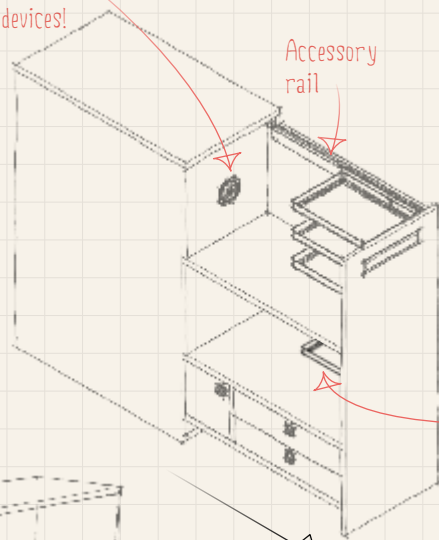
PERSONAL SPACE

A variety of units to keep personal items close are available.

Cushioned top for
impromptu meets



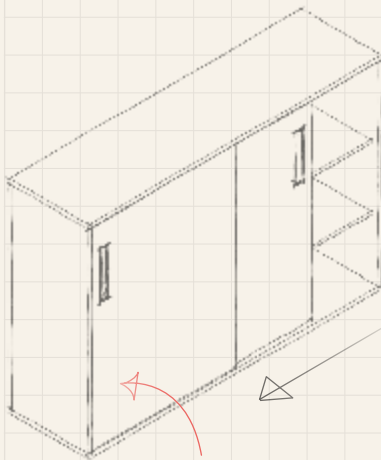
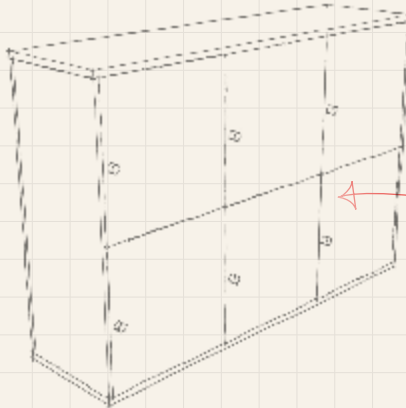
Available with
power port for
charging devices!



Accessory
rail

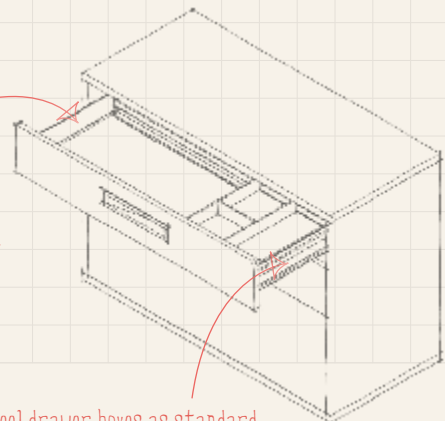
Pull out
stationery
tray

Lockers available
in multiple sizes,
configurations and
locking options



Sliding doors with
soft close mechanism

All drawers
feature heavy
duty full extension
drawer runners



Steel drawer boxes as standard

Storage & Screens

IT'S IN THE DETAIL

PANELS

Top, base and shelf panels are 25mm as standard.
Doors and drawers are 18mm

GRAIN DIRECTION

Front to back on horizontal panels to align with desks.
Top to bottom on verticals

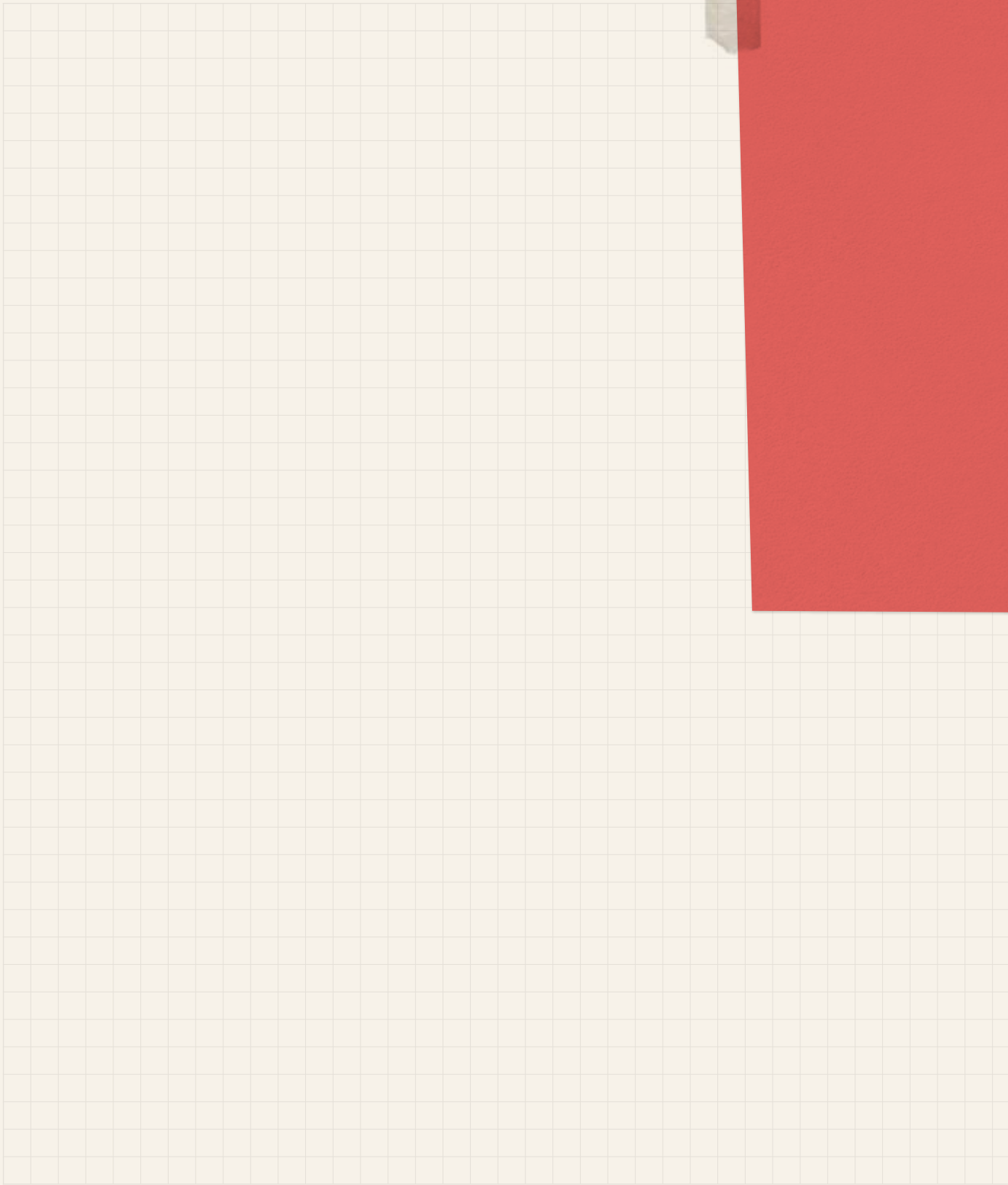


HANDLE
Tooled handle for individual aesthetic

SMOOTH
Laser edge tape on standard MFC finishes to create a quality look and feel

FLUSH
All units are designed to finish flush to avoid gaps when aligning units

STRENGTH
18mm back panels provide strength and stability



SCREENS



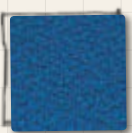
FABRIC



Band-A
(Cara)



Band-B
(Lucia)



Band-C
(Blazer/ Nexus)

Endless fabrics
options are
available

MFC FINISHES



Highland Oak



English Oak



Maple



Beech



White



Autumn



Winter Oak



Strata Oak



Mocha

OPAQUE ACRYLICS



Clear



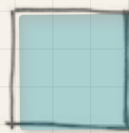
Opaque
Crystal



Opaque White

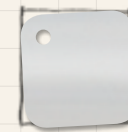


Opaque Green



Opaque Blue

FRAME COLOURS



Silver



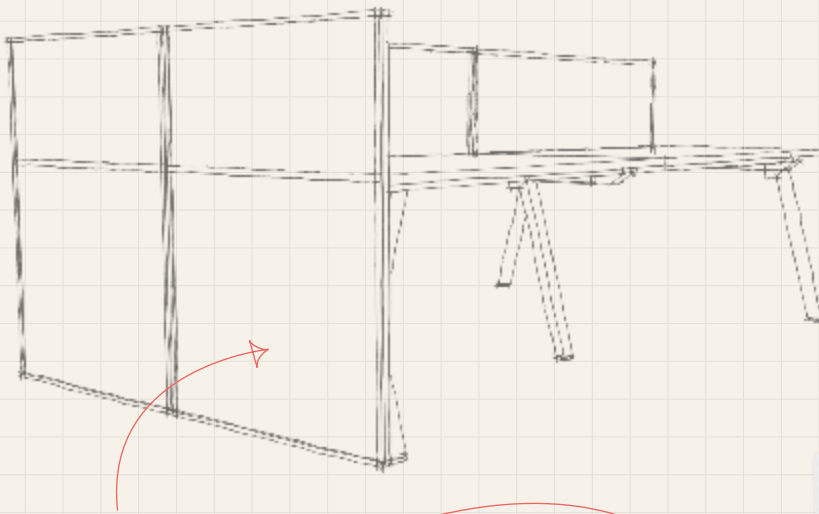
Black



White

STRUCTURE

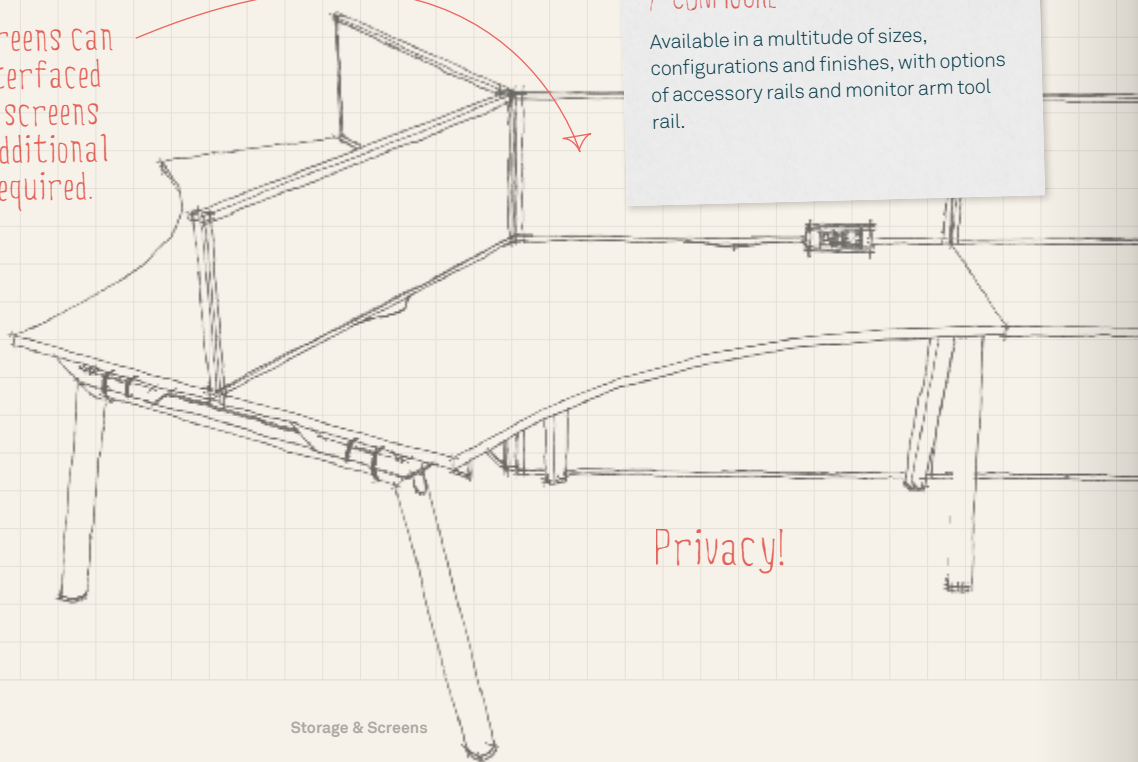
Engineered around a modular extruded aluminium frame, Universal Screens are compatible with Chemistry, Crossover Bench, Crossover and Core desking systems.



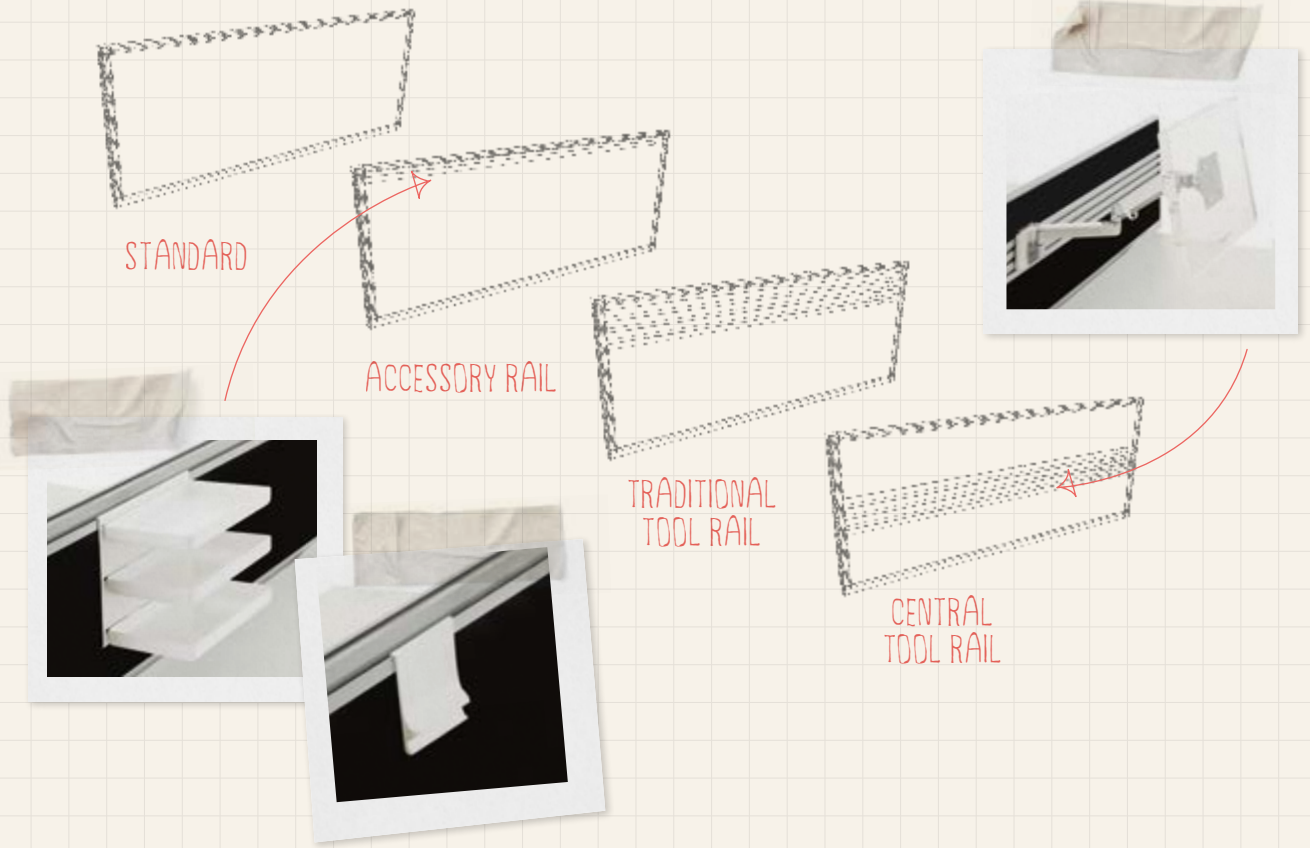
Floor standing screens can be seamlessly interfaced with the desktop screens in order to give additional privacy where required.

/ CONFIGURE

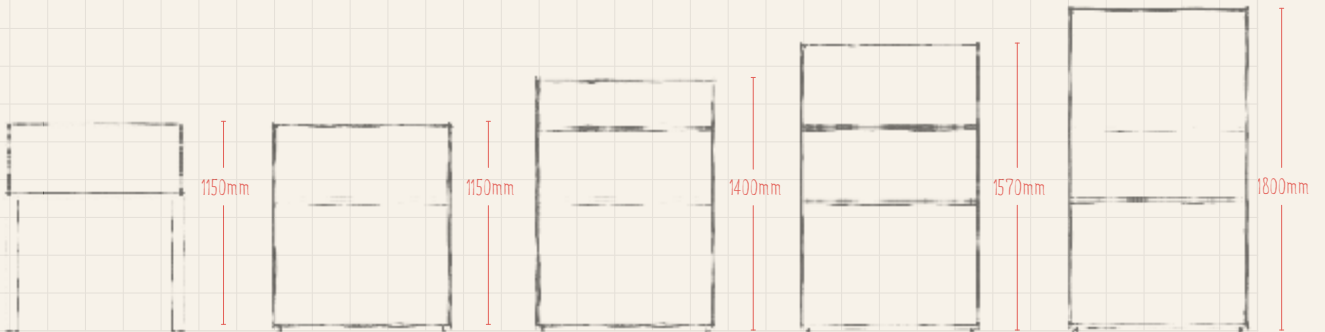
Available in a multitude of sizes, configurations and finishes, with options of accessory rails and monitor arm tool rail.



PRINCIPLE TYPES



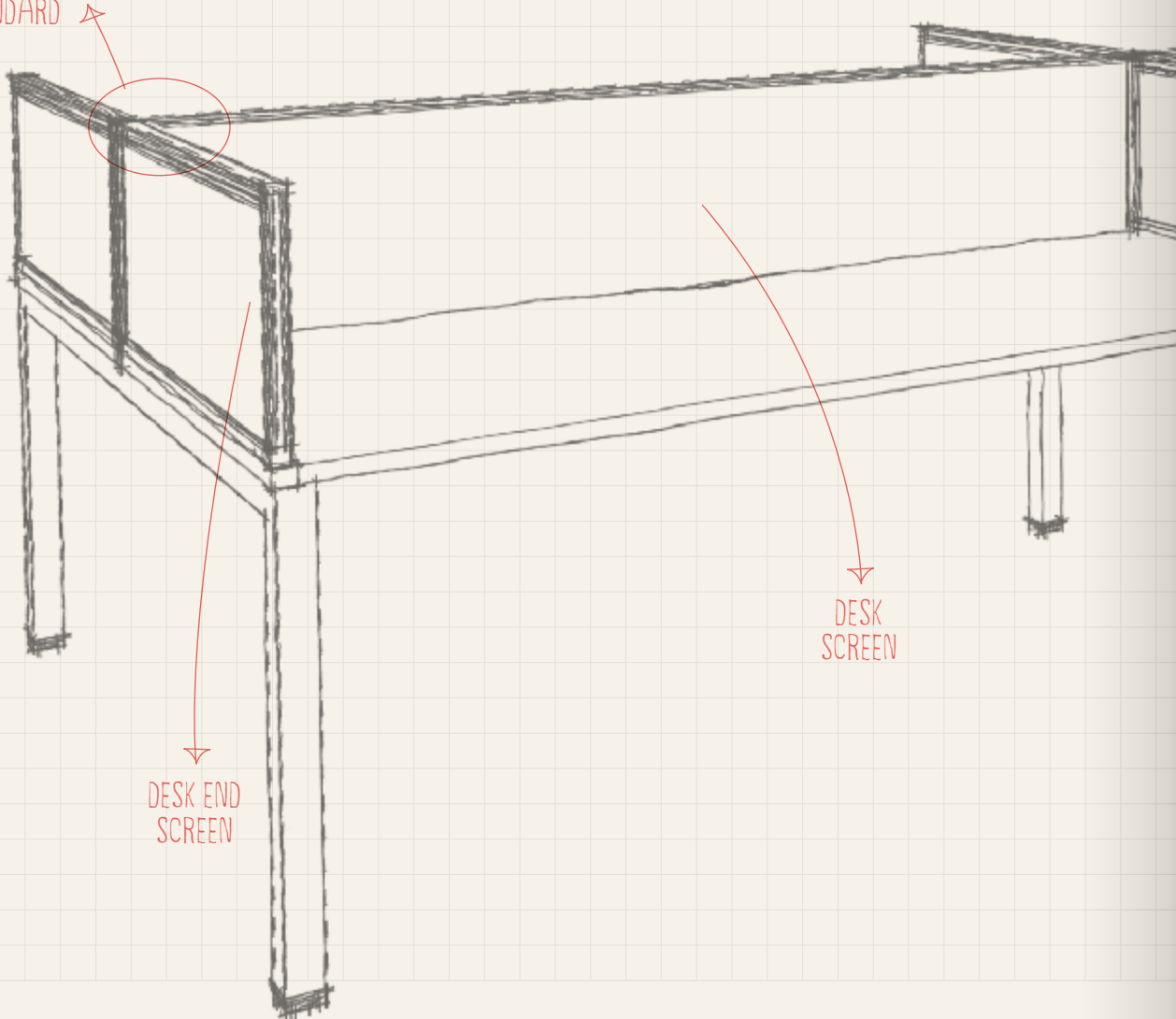
PRINCIPLE HEIGHTS



CONFIGURATIONS

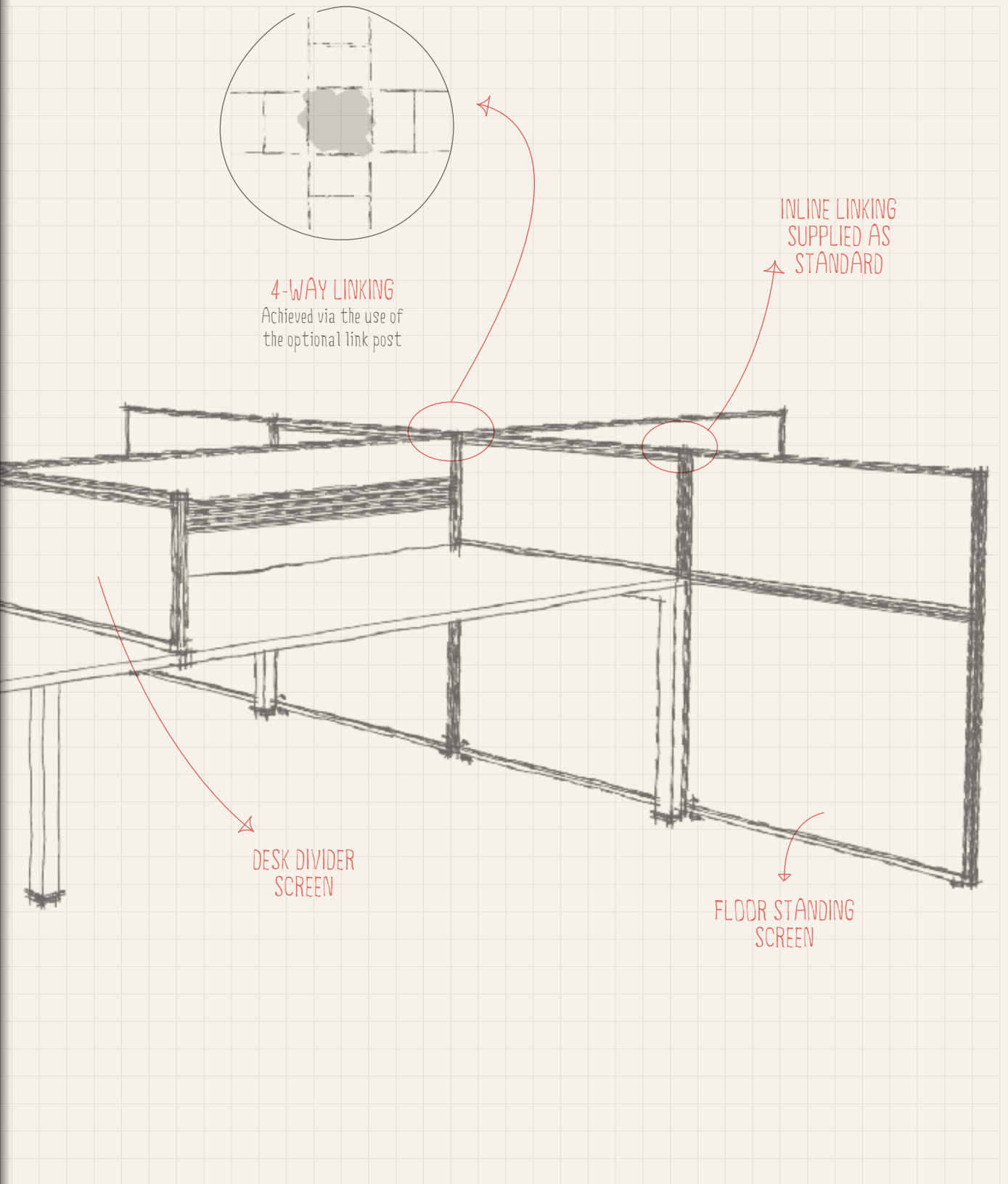
Universal Screens can be specified in multiple configurations, offering enhanced privacy and improved desk organisation throughout the range.

LINKING
SUPPLIED AS
STANDARD



DESK END
SCREEN

DESK
SCREEN



4-WAY LINKING

Achieved via the use of the optional link post

INLINE LINKING
SUPPLIED AS
STANDARD

DESK DIVIDER
SCREEN

FLOOR STANDING
SCREEN

Let's get into some detail

OFF MODULE



Universal Screens can be specified off-module providing a degree of privacy whilst promoting collaborative working.



Storage & Screens

Need it digital?

A copy of this book, product rotations, high resolution images, CAD symbols and more detailed product information are all on our website.

thesenatorgroup.com

Section Five

WORKWALL SYSTEM

Workwall is designed as a response to the changing needs for workspace and storage in the executive office. The Workwall range of furniture exudes technical excellence, astute function and sophisticated aesthetics.

054 The Workwall System

Workwall

THE CHANGING WORKSPACE

Workwall complements any range, offering a cladding system for existing walls that allows the type and function of the space to be clearly defined, whether for a private office or social setting.





Workwall

WALLS THAT STORE MORE

The aluminium profiles within Workwall can support desktop accessories, shelving, large screen displays and storage, all of which can be installed, removed or repositioned easily by the users. The panels can be finished in a variety of materials including laminates, veneers, MFC or fabric.







Let's work together

NEED IT DIGITAL?

A copy of this book, product rotations, high resolution images, CAD symbols and more detailed product information are all on our website.

—
thesenatorgroup.com

Innovation Engineered

**Let's Get Into
Some Detail**

WORKWALL

SYSTEM

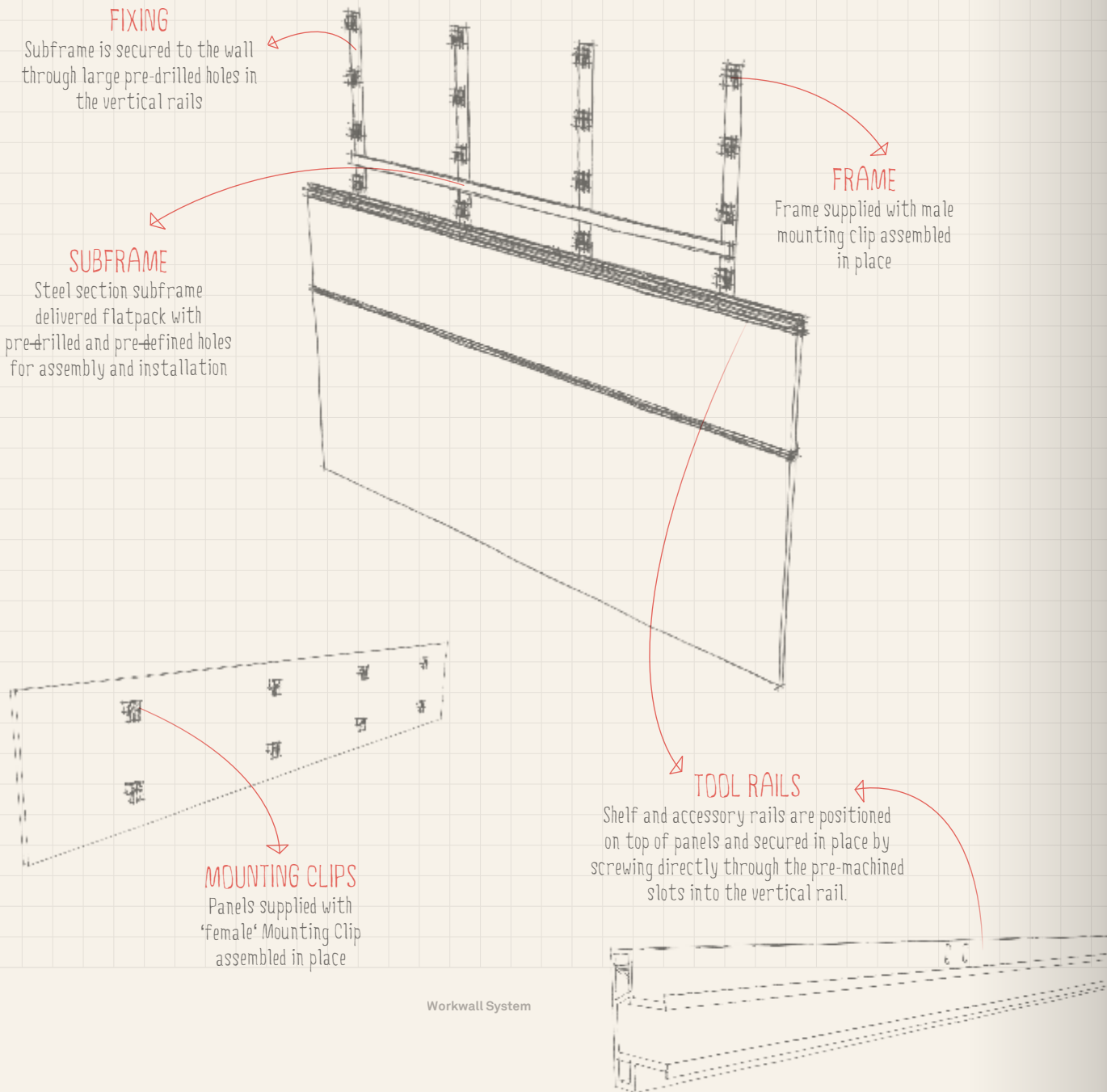
Senator

WORKWALL

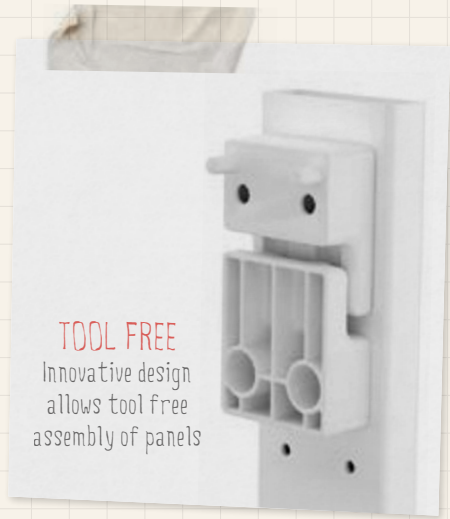


STRUCTURE

Engineered around a modular steel sub frame, this simple stackable panel system is quick and easy to assemble and is available in a multitude of sizes and finishes.



DESIGN

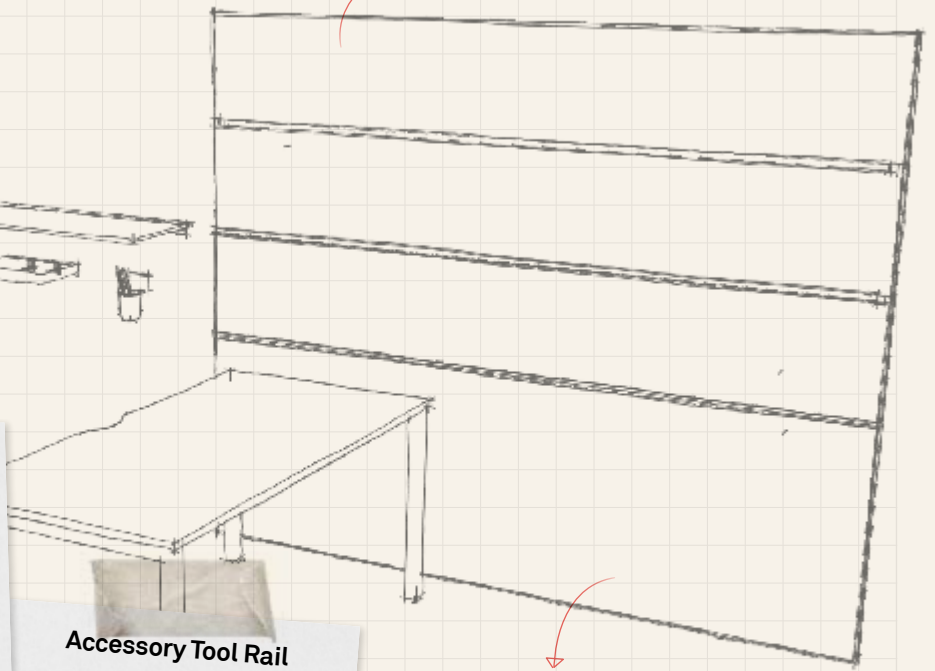
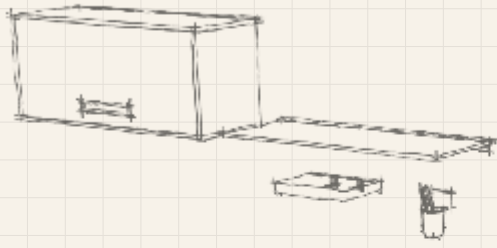


TOOL FREE
Innovative design
allows tool free
assembly of panels

Workwall is designed as a response to the changing needs for workspace and storage in the executive office.

PANELS

Available in fabric, MFC, veneer, laminate and dry wipe



Shelf / Storage Tool Rail



Intelligent tool rail systems enable shelves, storage and accessories to be easily clicked into place. Simply select the type of tool rail required at the top of each panel.

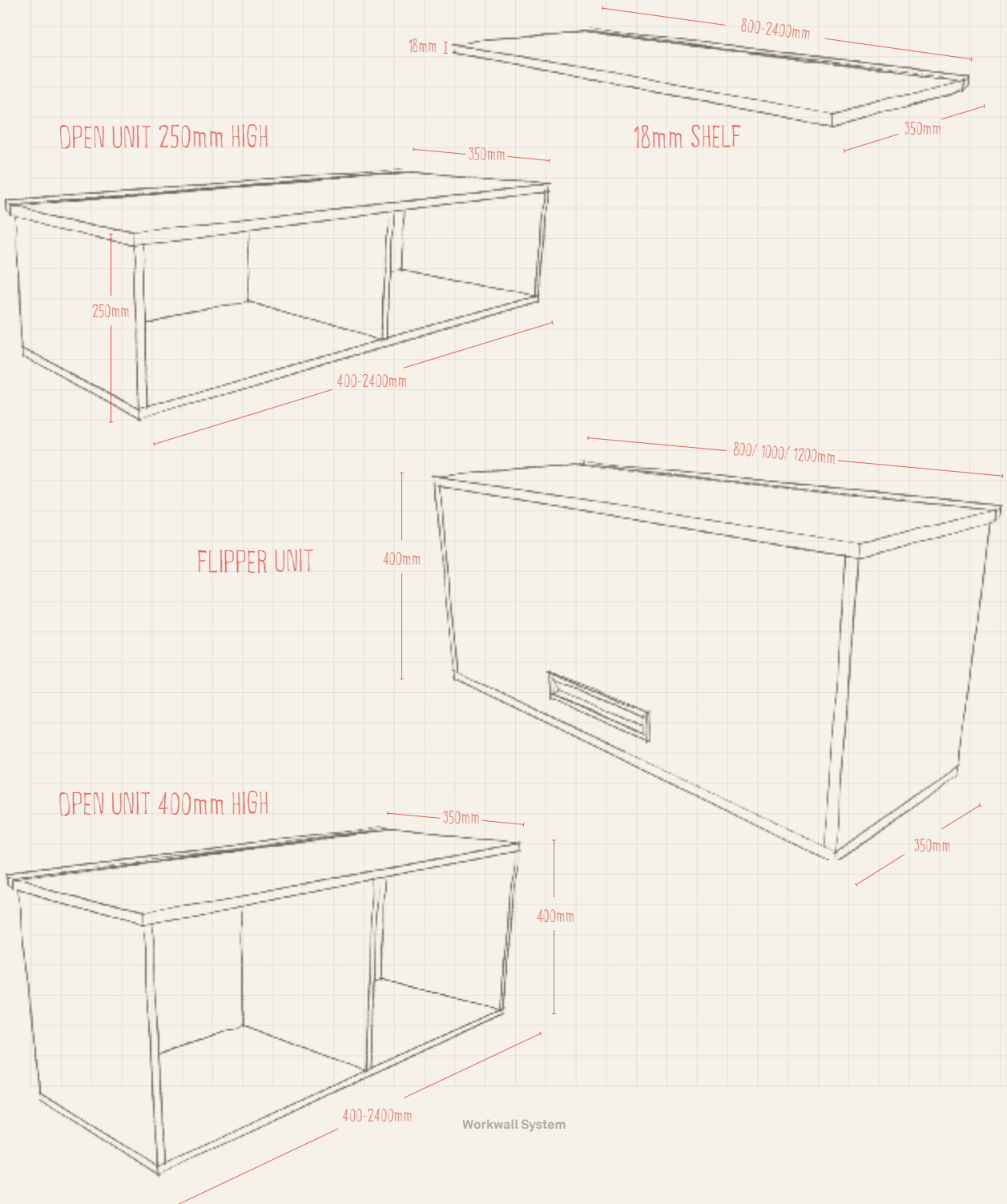
Accessory Tool Rail



PANEL HEIGHTS

Top, base and intermediate panels available in 400mm and 800mm heights

STORAGE OPTIONS



MEDIA



Workwall is designed to work in unison with a number of multimedia options, facilitating collaborative working environments.

Need it digital?

A copy of this book, product rotations, high resolution images, CAD symbols and more detailed product information are all on our website.

thesenatorgroup.com

Section Six

**A LITTLE
MORE
ABOUT US**

Senator

A little more about us

A Little More About Us

OUR SERVICE TO YOU

XPRESS PROGRAM

Our customers and clients don't always want to wait and why should they? We offer Xpress programmes across all our three brands: **Senator**, **Allermuir** and **Torasan**.

This means some of our most popular products can be ordered and received within 5-10 days depending on the product.

WE LIKE TO SUSTAIN™

As part of our commitment to sustainability, we have our own recycling business called Sustain™ which has two recycling centres in the UK. Through Sustain™ you can access a number of services including the collection and recycling of your waste packaging and recycle or remanufacture of your old furniture.

IT'S ALL IN THE PLANNING

Our sales teams are there to support you in the planning of your project and the interpretation of the client brief. We can assist with space planning concepts with provision of space plans using the latest technology to realistically recreate spaces to accurately visualise the product in its environment, creating and supplying CAD symbols as required.

A Little More About Us

IT'S YOUR WORKPLACE

WE CALL IT SETTINGS™

The future of the office can't be defined into one vision and that's the exciting prospect, but we can understand how spaces will evolve by understanding and being at the forefront of trends in our changing environment. People are the drivers but the influences around them interact to create new challenges and opportunities. Settings™ is a concept from The Senator Group which was developed to enable modern, flexible, efficient and cost effective workplaces for people that will facilitate new working practices, enhance collaboration, improve service delivery and act as a catalyst for change in the workplace.

CHANGING SPACES

The workplace has changed, is changing and will carry on evolving as the influences around us change. We have four generations co-existing in the workplace and the workplace and our home life are blurring mainly through the speed of recent technological changes. What is so fascinating for us not just as a furniture supplier but as an enabler of change is how we can facilitate the needs of people. Not to dictate but to be there to enable and house future change for our customers, clients and end users. We are passionate about what we call 'Settings™' which is a catalyst to support the changing needs of people and places.

thesenator



Work



Share



Show



Source



Refresh

WE CAN ALSO HELP YOU
WITH SEATING, TABLES,
SOFT SEATING, STOOLS...



We've gathered all of our
seating and table collections
to help you complete
your workspace.

Order your copy of the
Seating and Tables book.

Senator

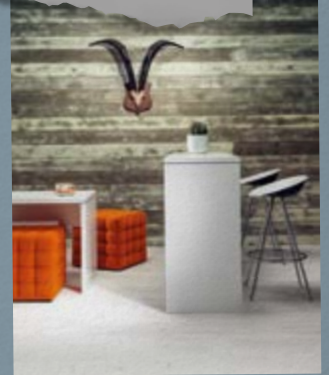
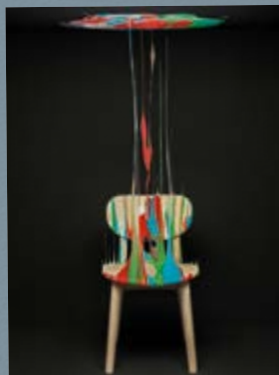


To order your books contact-
marketing@thesenatorgroup.com

Yearbook Four
Anything but ordinary

Order your copy

Allermuir



**THANK YOU
FOR TAKING
THE TIME**

**WE LOOK FORWARD TO
WORKING TOGETHER SOON**

—