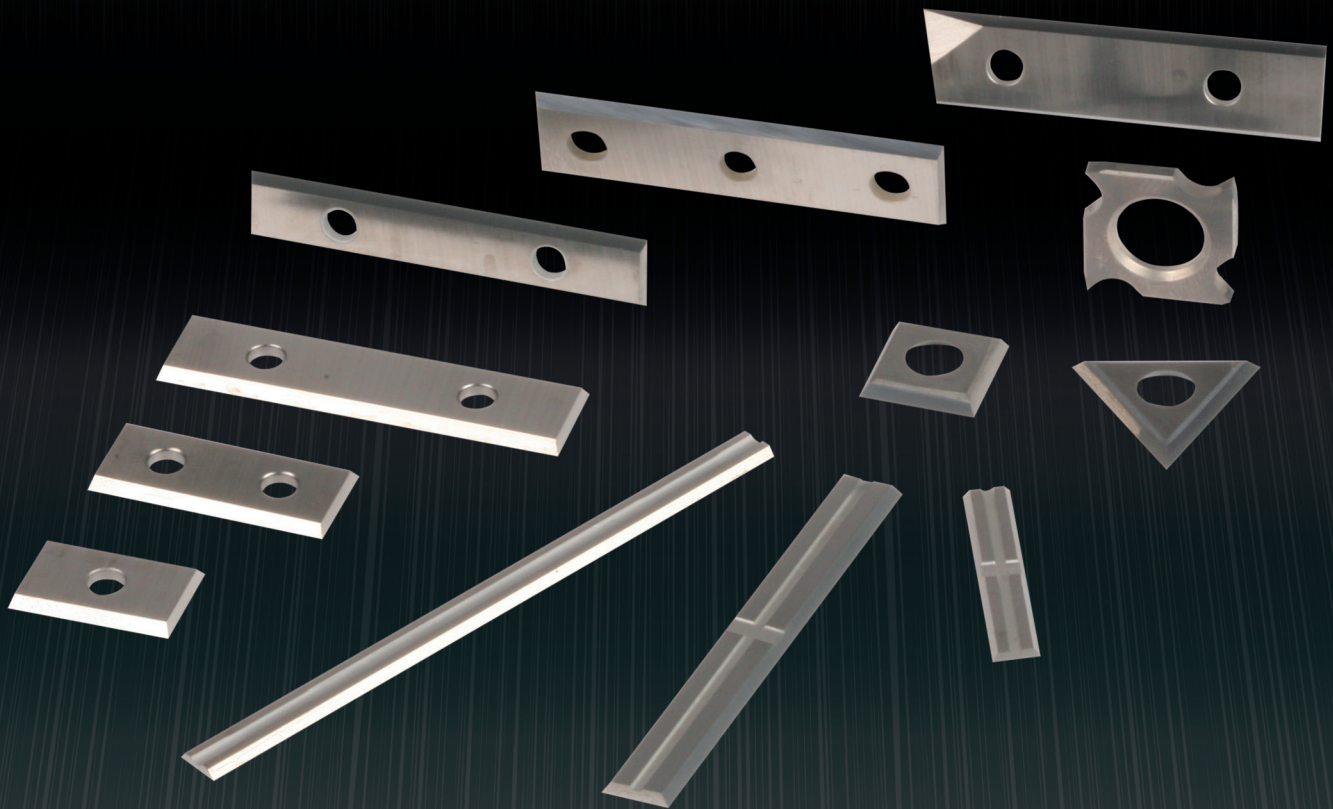


Tungsten Carbide Reversible Knives



Titman

Defining Router Tooling

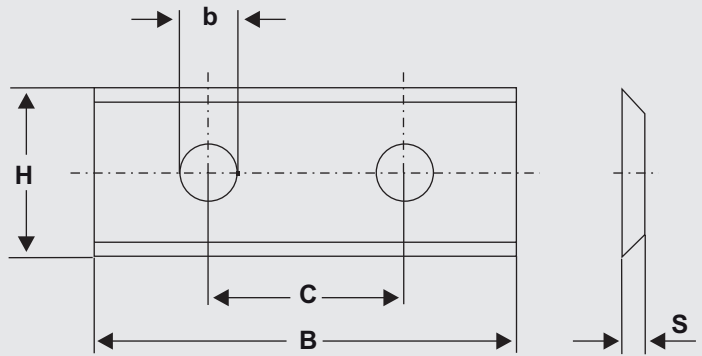
Titman is proud to be a world-renowned brand at the forefront of router cutting technology. We offer the finest quality precision-made industrial tooling to customers worldwide.

titman.co.uk

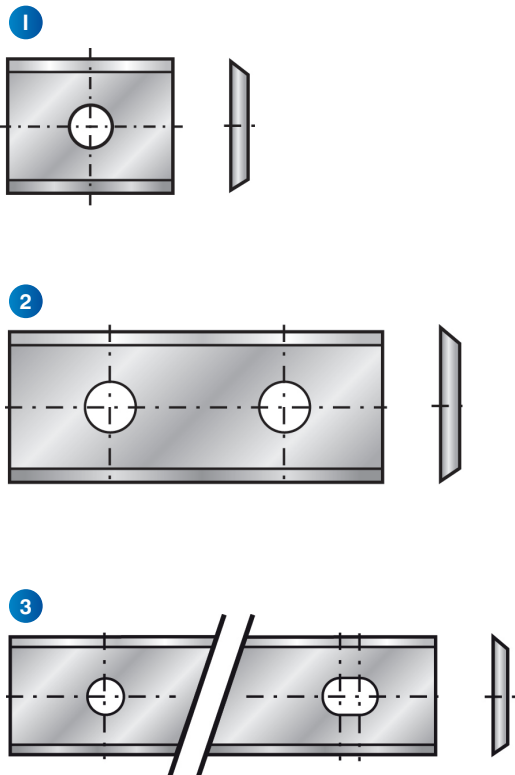
The range of reversible knives appearing here are manufactured from top grade industrial carbide and are supplied in minimum quantities of 10 pieces.

There is a further price break for quantities of 50 pieces or more.

Other sizes and carbide grades not listed are available, price and delivery upon request.



Turnover Knives HW with 2 Cutting Edges



Item Code	B	H	S	C	b	Image	£ 1-4 Box 10	£ 5+ Box 10
L7.5	7.5	12	1.5	4	4	1	£19.88	£15.30
L7.65	7.65	12	1.5	4	4	1	£30.43	£23.41
L8.6	8.6	12	1.5	4	4	1	£63.30	£48.70
L9.6	9.6	12	1.5	4	4	1	£24.35	£18.73
L10.5	10.5	12	1.5	4	4	1	£80.35	£61.81
L11.6	11.6	12	1.5	4	4	1	£54.78	£42.14
L13.6	13.6	12	1.5	4	4	1	£80.75	£62.12
L14.6	14.6	12	1.5	4	4	1	£80.75	£62.12
L15	15	12	1.5	4	4	1	£23.94	£18.42
L15.7	15.7	12	1.5	4	4	1	£76.70	£59.00
L16	16	12	1.5	4	4	1	£88.87	£68.36
L17	17	12	1.5	4	4	1	£79.13	£60.87
L18	18	12	1.5	4	4	1	£70.20	£54.00
L19	19	12	1.5	4	4	1	£83.59	£64.30
L20	20	12	1.5	4	4	1	£27.59	£21.23
L25.1	25	12	1.5	4	4	1	£36.12	£27.78
L25	25	12	1.5	14	4	2	£36.12	£27.78
L30	30	12	1.5	14	4	2	£34.49	£26.53
L30/2.5	30	12	2.5	14	4	2	£58.84	£45.26
L40	40	12	1.5	26	4	2	£41.80	£32.15
L50	50	12	1.5	26	4	2	£47.88	£36.83
L60	60	12	1.5	26	4	2	£56.41	£43.39
L44515	44.5	12	1.5	25	4	3	£130.42	£100.32
L8013	80	13	2.2	60	4	3	£198.43	£152.64
L10013	100	13	2.2	60	4	3	£280.81	£216.01
L12013	120	13	2.2	60	4	3	£342.09	£263.14

Back Groove Turnover Knives HW

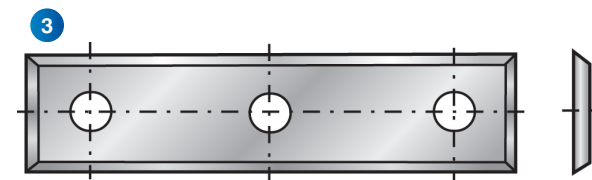
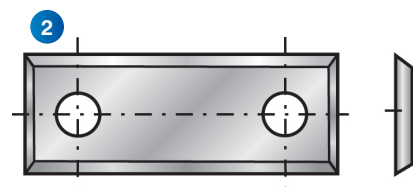
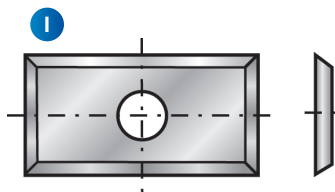


Item Code	B	H	S	£ 1-4 Box 10	£ 5+ Box 10
L20/5-2R	20	5.5	1.1	£48.29	£37.15
L30/5-2R	30	5.5	1.1	£48.70	£37.46
L40/5-2R	40	5.5	1.1	£50.32	£38.71
L50/5-2R	50	5.5	1.1	£58.03	£44.64

Face Groove Turnover Knives HW



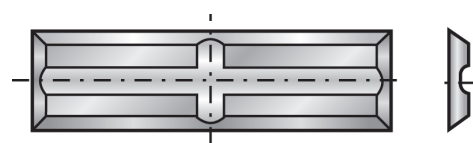
Item Code	B	H	S	£ 1-4 Box 10	£ 5+ Box 10
L12/5-2B	12	5.5	1.1	£32.06	£24.66
L20/5-2B	20	5.5	1.1	£35.30	£27.16
L30/5-2B	30	5.5	1.1	£45.86	£35.27
L40/5-2B	40	5.5	1.1	£51.54	£39.64
L50/5-2B	50	5.5	1.1	£50.72	£39.02



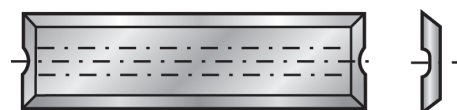
Turnover Knives HW with 4 Cutting Edges

Item Code	B	H	S	C	b	Angle°	Image	£ 1-4 Box 10	£ 5+ Box 10
L208	19.5	8	1		4		1	£54.38	£41.83
L209	19.5	9	1.5		4		1	£45.86	£35.27
L2010	19.5	10	1.5		4		1	£79.13	£60.87
L20/4	19.5	12	1.5		4		1	£44.23	£34.02
L308	29.5	8	1.5	14	4		2	£57.22	£44.01
L309	29.5	9	1.5	14	4		2	£44.64	£34.34
L3010	29.5	10	2.5	14	4		2	£75.07	£57.75
L30/4	29.5	12	1.5	14	4		2	£48.70	£37.46
L409	39.5	9	1.5	26	4		2	£75.07	£57.75
L40/4	39.5	12	1.5	26	4		2	£57.22	£44.01
L508	49.5	8	1.5	26	4		2	£78.32	£60.25
L509	49.5	9	1.5	26	4		2	£65.74	£50.57
L5010	49.5	10	1.5	26	4		2	£99.83	£76.79
L50/4	49.5	12	1.5	26	4		2	£65.74	£50.57
L60/4	59.5	12	1.5	26	4		2	£85.62	£65.86
L20/4A	19.5	12	1.5		4	2	1	£88.89	£68.38
L30/4A	29.5	12	1.5	14	4	2	2	£88.89	£68.38
L50/4A	49.5	12	1.5	26	4	2	2	£97.78	£75.21
L509-3	49.5	9	1.5	37	4		3	£95.83	£83.05
L50/4-3	49.5	12	1.7	37	4		3	£75.48	£58.06

Crossgroove Turnover Knives HW

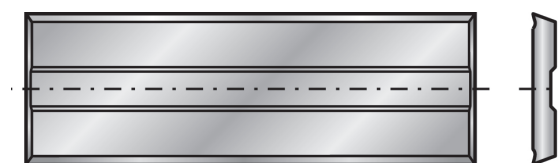


Item Code	B	H	S	Angle°	£ 1-4 Box 10	£ 5+ Box 10
L20/4-4RQ	20	4.1	1.1		£44.23	£34.02
L20/5-4RQ	20	5.5	1.1		£51.54	£39.64
L25/5-4RQ	25	5.5	1.1		£55.59	£42.76
L30/5-4RQ	30	5.5	1.1		£47.88	£36.83
L40/5-4RQ	40	5.5	1.1		£61.68	£47.45
L50/5-4RQ	50	5.5	1.1		£61.68	£47.45
3/8-RT	19	5.5	1.1	2	£54.38	£41.83
1/2-RT	30	5.5	1.1	2	£66.14	£50.88
5/8-RT	30	8	1.5	2	£81.97	£63.05
5/8-60mm-RT	60	8	1.5	2	£95.98	£88.34



Face Groove Turnover Knives HW

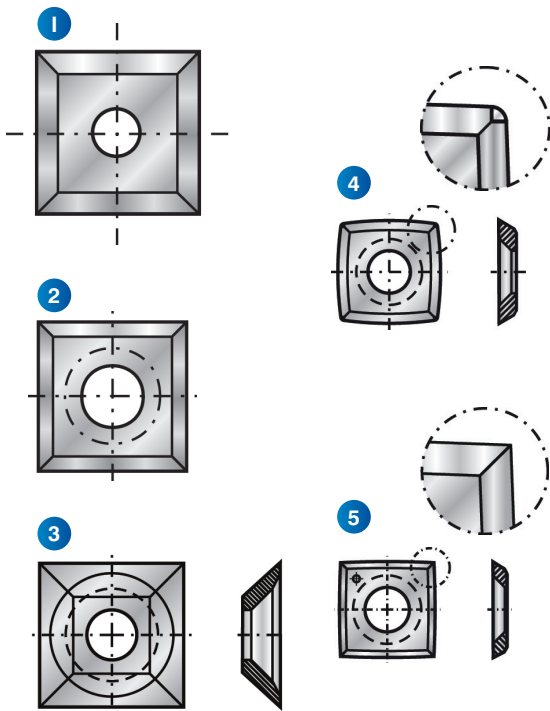
Item Code	B	H	S	£ 1-4 Box 10	£ 5+ Box 10
L20/5-4B	20	5.5	1.1	£63.30	£48.70
L30/5-4B	30	5.5	1.1	£66.96	£51.51
L40/5-4B	40	5.5	1.1	£70.20	£54.00
L50/5-4B	50	5.5	1.1	£75.48	£58.06



Back Groove Turnover Knives HW 4 Cutting Edges

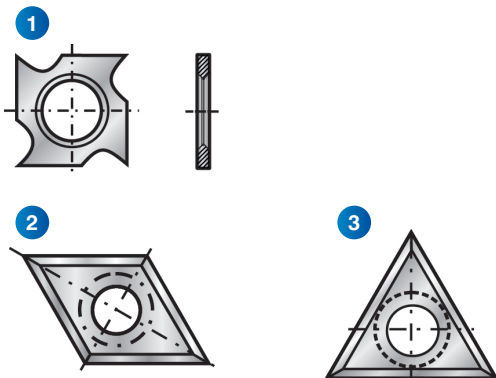
Item Code	B	H	S	£ 1-4 Box 10	£ 5+ Box 10
L20/5-4RS	20	5.5	1.1	£136.35	£104.88
L30/6-4RS	30	6.5	1.1	£127.83	£98.33
L50/6-4RS	50	6.5	1.1	£161.10	£123.92
L20/10-4RS	20	10	1.5	£136.35	£104.88
L30/10-4RS	30	10	1.5	£147.30	£113.31
L50/10-4RS	50	10	1.5	£172.06	£132.35

Square Turnover Knives HW with 4 Cutting Edges



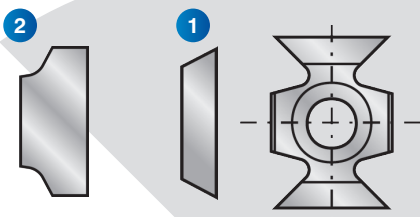
Item Code	B	H	S	b	R	Angle°	Image	£ 1-4 Box 10	£ 5+ Box 10
L10.5-Q	10.5	10.5	1.5	4			1	£52.35	£40.27
L12-Q	12	12	1.5	4			1	£21.10	£16.23
L17-Q	17	17	2	4			1	£52.75	£40.58
L19-Q	19	19	2	4			1	£93.33	£71.79
L10.5-QS	10.5	10.5	1.5	4			2	£48.70	£37.46
L13-QS	13	13	2.5	6.1			2	£83.19	£63.99
L13.6-QS	13.6	13.6	2	6.4			2	£42.61	£32.78
L1412-QS	14	14	1.2	8.5			2	£39.77	£30.59
L141722-QS	14	14	1.7	8.5		22	2	£36.52	£28.09
L141730-QS	14	14	1.7	8.5		30	2	£34.90	£26.85
L142-QS	14	14	2	6.4			2	£22.72	£17.48
L21-40	21	21	5.5			40	3	£90.52	£78.45
L15/150-R	15	15	2.5		150	30	4	£54.38	£41.83
L15/R115-R	15	15	2.5		115	30	4	£60.46	£46.51
L15/R150-P	15	15	2.5		150	30	5	£54.38	£41.83
L15/R100-P	15	15	2.5		100	30	5	£60.46	£46.51
L14.6/R150-P	14.6	14.6	2.5		150	30	5	£53.57	£41.20
L15/R50-P	15	15	2.5		50	30	5	£53.57	£41.20

Spurs, Grooving Knives HW with 2 Cutting Edges



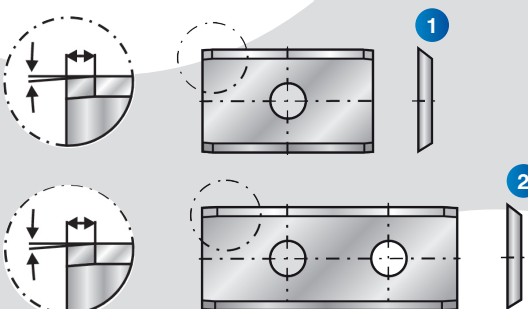
Item Code	B	H	S	b	Image	£ 1-4 Box 10	£ 5+ Box 10
L18195-QH	18	18	1.95	10.4	1	£68.58	£52.75
L18245-QH	18	18	2.45	10.4	1	£76.70	£59.00
L18295-QH	18	18	2.95	10.4	1	£119.71	£92.08
L1837-QH	18	18	3.7	10.4	1	£146.09	£112.37
L184-QH	18	18	4	10.4	1	£308.41	£267.29
L142-RA	14	14	2	6.5	2	£69.80	£53.69
L163-RA	16	16	3	6.5	2	£173.56	£150.42
L22-D	22	19	2	6.5	3	£59.25	£45.57
L2286-D	22.86	19.86	2.5	6.5	3	£93.74	£72.11

Edge Rounding Knives HW



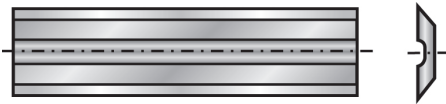
Item Code	B	H	S	R	Angle°	Image	£ 1-4 Box 10	£ 5+ Box 10
L16-A45	16	22	5		45	1	£204.52	£157.32
L16-R1.5	16	22	5	1.5		2	£193.97	£149.21
L16-R2.0	16	22	5	2		2	£193.97	£149.21
L16-R2.5	16	22	5	2.5		2	£193.97	£149.21
L16-R3.0	16	22	5	3		2	£193.97	£149.21
L16-R4.0	16	22	5	4		2	£193.97	£149.21
L16-R5.0	16	22	5	5		2	£193.97	£149.21

Reversible Planer Head Knives HW with 2 Cutting Edges



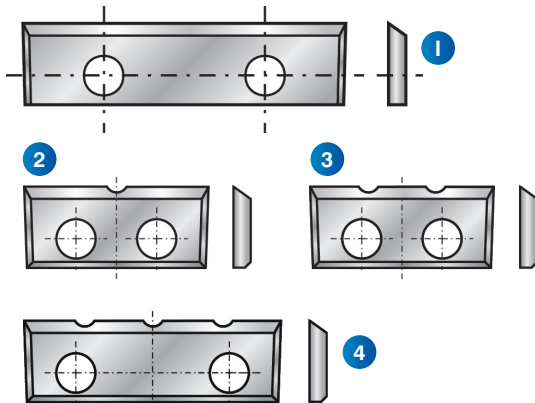
Item Code	B	H	S	C	b	Angle°	Image	£ 1-4 Box 10	£ 5+ Box 10
L20-A35	20	12	1.5		4	35	1	£53.57	£41.20
L24-A40	24	12	1.5		4	40	1	£63.71	£49.01
L24.7-A35	24.7	12	1.5		4	35	1	£53.57	£41.20
L30-A35	30	12	1.5	14	4	35	2	£66.96	£51.51
L50-A35	50	12	1.5	26	4	35	2	£77.10	£59.31

Face Slot Turnover Knives HW 2 Cutting Edges



Item Code	B	H	S	£ 1-4 Box 10	£ 5+ Box 10
L7.7/8-4B	7.7	8	1.5	£50.72	£39.02
L9.7/8-4B	9.7	8	1.5	£50.72	£39.02
L11.7/8-4B	11.7	8	1.5	£50.72	£39.02
L14.7/8-4B	14.7	8	1.5	£51.94	£39.96
L19.7/8-4B	19.7	8	1.5	£51.94	£39.96
L24.7/8-4B	24.7	8	1.5	£51.94	£39.96
L30/8-4B	30	8	1.5	£52.75	£40.58
L35/8-4B	35	8	1.5	£59.25	£45.57
L40/8-4B	40	8	1.5	£73.86	£56.81
L50/8-4B	50	8	1.5	£76.70	£59.00
L60/8-4B	60	8	1.5	£95.77	£73.67
L70/8-4B	70	8	1.5	£139.59	£107.38
L80/8-4B	80	8	1.5	£160.70	£123.61
L100/8-4B	100	8	1.5	£233.33	£179.49
L120/8-4B	120	8	1.5	£322.61	£248.16

Specialised Knives HW



Item Code	B	H	S	C	Image	£ 1-4 Box 10	£ 5+ Box 10
L167/3	16	7	1.5	7	1	£68.99	£53.07
L237/3	23	7	1.5		1	£100.23	£77.10
L287/3	28	7	1.5	14	1	£76.70	£59.00
L167-1C	16	7	1.5	7	2	£123.77	£95.21
L167-2C	16	7	1.5	7	3	£123.77	£95.21
L237-3C	23	7	1.5	14	4	£142.03	£109.25

Portable Electric Planer Knives HW



Item Code	B	H	S	Per 5 Pairs	Box of 10 Blades
L75.5-HO	75.5	5.5	1.1	£75.11	
L75.5/10-HO	75.5	5.5	1.1		£48.25
L80.5-HO	80.5	5.9	1.2	£54.78	
L80.5/10-HO	80.5	5.9	1.2		£39.50
L82-HO	82	5.5	1.1	£39.50	
L82/10-HO	82	5.5	1.1		£24.30

Portable Planer Blades

L75-HO, L75/10-HO

Make	Model No.
AEG	HTH 75
BLACK & DECKER	DN750, SR600, SR600K, BD750
BOSCH	590, P400, 1590, 1591
HAFFNER	FH222
HOLZ-HER	2320, 2223, 2121, 2330
KRESS	JETSTAR, EH6701, EH6702
MAFELL	HU75
METABO	6375
SKIL	98H

L80.5-HO, L80.5/10-HO

Make	Model No.
AEG	450
DEWALT	DW676K
ELU	MFF40, MFF80K, MFF80, MFF81, MFF81K

L82-HO, L82/10-HO

Make	Model No.
AEG	EH82, EH82.1, EH700, EH822, H750, H500, EH3-82, EH800, EH450
BLACK & DECKER	BD710, DN710, DN720, BD711, KW712, KW713, KW725, BD713, BD725
BOSCH	PH-O2-82, PHO3-82B, PHO15-82, PHO16-82, PHO25-82, PHO30-82, PHO30-82, PHO100, PHO150, PHO200, PHO300, 1592-9, GHO282, GH31-82, GHO36-82C
CASALS	CE82, CE98ACE
DEWALT	DW677, DW678K, DW678EK, DW680, D26500, D26501
DRAPER	PT682, P882
FELISATTI	TP282
FERM	FP82

FREUD	FE82, FE82VCE
HAFFNER	FH224
HITACHI	F20, FU20, P20V, P20SA
HOLZ-HER	2321, 2321-S, 2322, 2223
MAFELL	EHU82, MHU82, MHU82S, MHU82D
MAKITA	M102, 1900, 1900B, 1901, 1902, 1125, 1100, 1923B, 1923BD, 1923H, FB0800
METABO	EXPERT, 4382, HO0822, HO8382
NUTOOL	NPT82
PERLES	SK82A
PEUGEOT	RA82CS, RA400, RA3/82
RYOBI	L282, L1323A, HL-82, L-1835, L180, GH014, EPN-7582
SKIL	92H, 94H, 95H, 96H, 97H
WOLF/KANGO	8108, 8614, 8057

Finest quality precision made industrial tooling, manufactured in the UK

Titman is proud to be a world-renowned brand at the forefront of router cutting technology. We offer the finest quality precision-made industrial tooling to customers worldwide.

Our range includes:

- Premier Router Cutters
- Premier Groovers
- Cutters for Solid Surface Materials
- Drilling & Boring Tools
- Saw Blades
- Spindle Tooling
- CNC Tooling
- PCD Router Cutters
- Replacement Tip Cutters
- Spiral Tooling
- Tipcut Router Cutters
- Spares and Accessories



Titman

Defining Router Tooling

01255 220 123

sales@titman.co.uk

Titman Tools Limited

Valley Road, Clacton-on-Sea, Essex, CO15 6PP
United Kingdom **F:** +44 (0)1255 221 422

 [Titman-Tools-Ltd](https://www.facebook.com/Titman-Tools-Ltd)

titman.co.uk