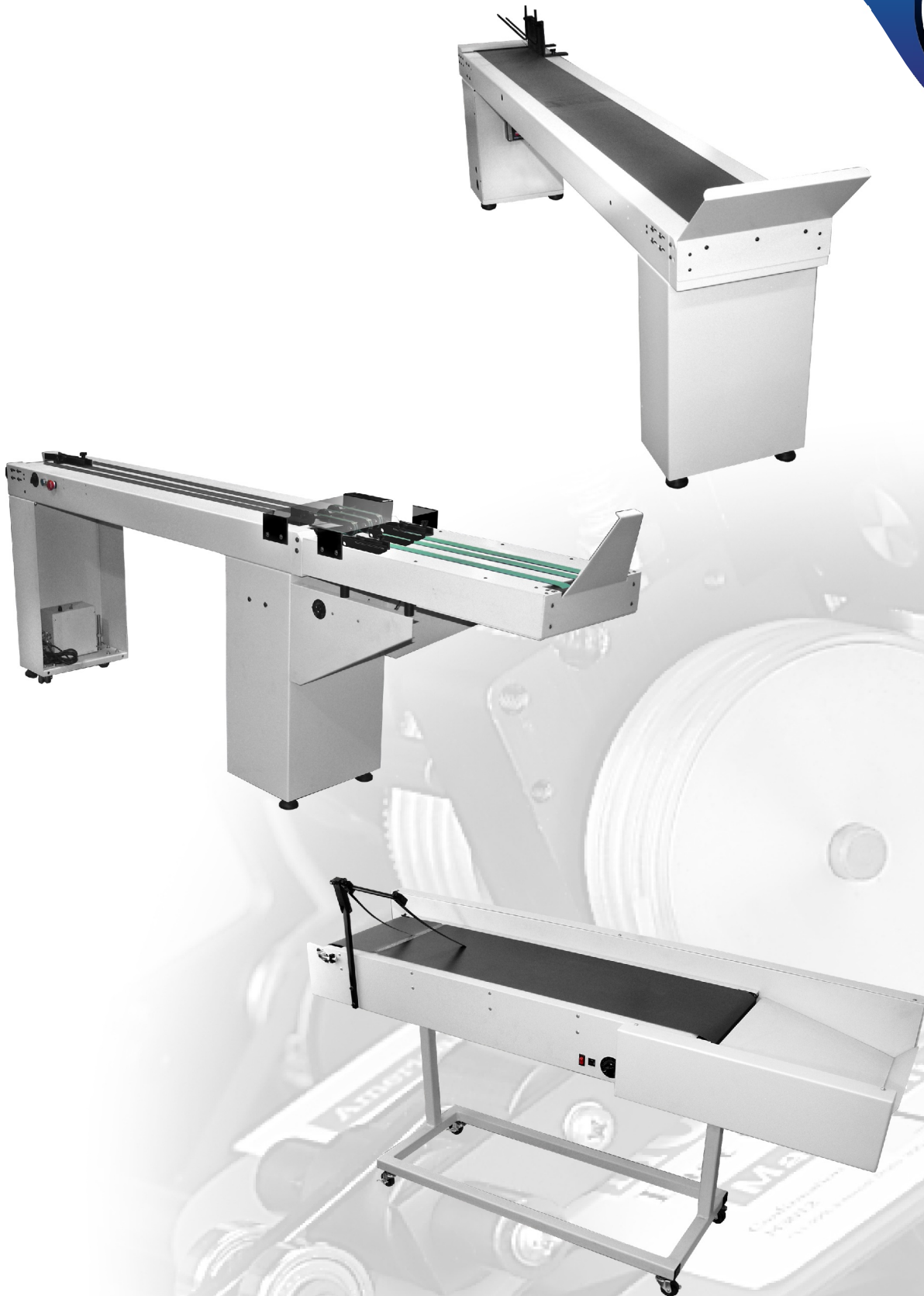


CONVEYORS



TYPE OF UNITS: Product & Feeder Stands



For more information contact your
authorized dealer at: 1-800-INSERTER(467-3783)



Small Product Vacuum Conveyor

► **Features** - The SP (Small Product) Vacuum Conveyor is ideal for transferring "small products" to the variable speed 3' Extension Shingling Conveyor. The SP Conveyor is equipped with a Transfer Collector Device to ensure a perfect shingle.

TECHNICAL SPECIFICATIONS	
Small Product Vacuum Conveyor	
Minimum Product Size	2" W x 3" L
Maximum Product Width	11"
Maximum Height	40"
Minimum Height	36"
Speed	Variable up to 700 ft / min.
Conveyor Length	6' or 9'
Warranty	2 Year Limited

All Specifications are subject to change.



Slow Moving Collection

► **Features** - The Slow Moving (SM) Collection is used to accumulate shingled product from an ink jet. The SM Collection has Variable Speed with a maximum speed of 100' per minute. 90° Product Knockdown and solid body construction are standard features.

TECHNICAL SPECIFICATIONS	
Slow Moving Collection	
Maximum Product Width	15"
Maximum Height	40"
Minimum Height	36"
Speed / Slow Moving Coll.	Variable up to 100 ft / min.
Conveyor Length	6' or 9'
Warranty	2 Year Limited

All Specifications are subject to change.



Vacuum Conveyor

► **Features** - The Vacuum Conveyor has an endless 2" vacuum belt and 2 adjustable product transport belts to accommodate a variety of widths and types of materials. Nip rollers & product guides assist in control of material.

TECHNICAL SPECIFICATIONS	
Vacuum Conveyor	
Maximum Product Width	15"
Maximum Height	36"
Minimum Height	40"
Speed	Variable up to 700 ft / min.
Conveyor Length	6' or 9'
Warranty	2 Year Limited

All Specifications are subject to change.



Inserter Shingling Conveyor

► **Features** - The Inserter Shingling Conveyor is typically used to accumulate product from an inserter. The Inserter Shingling Conveyor has variable speed belt with a maximum speed of 100' per minute and is adjustable vertical and horizontal.

TECHNICAL SPECIFICATIONS	
Inserter Shingling Conveyor	
Maximum Product Width	15"
Maximum Height	34"
Minimum Height	28"
Speed / Slow Moving Coll.	Variable up to 100 ft / min.
Warranty	2 Year Limited

All Specifications are subject to change.