

5 Ton Variable Height Tripod Jack

Model 8487A

The Model 8487A Variable Height Tripod Jack is a 5 ton capacity, single stage hydraulic jack designed primarily for use in aircraft maintenance. It consists of a tripod structure, hydraulic cylinder assembly, reservoir, valve block assembly, hand pump assembly and swivel casters.

The jack leg pads are raised off the ground by spring loaded casters. The casters will retract and the pads rest on the ground when a load is applied to the jack.

Model 8487A is built to withstand harsh environmental conditions and rugged use, and to provide many years of continuous service. Our customers are guaranteed a quality product with each purchase and are assured of our continued product support whenever and wherever the need arises.

Standard Features:

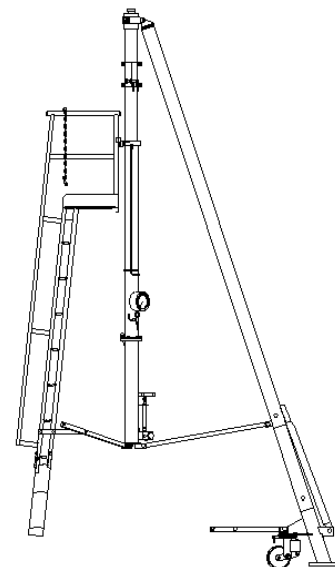
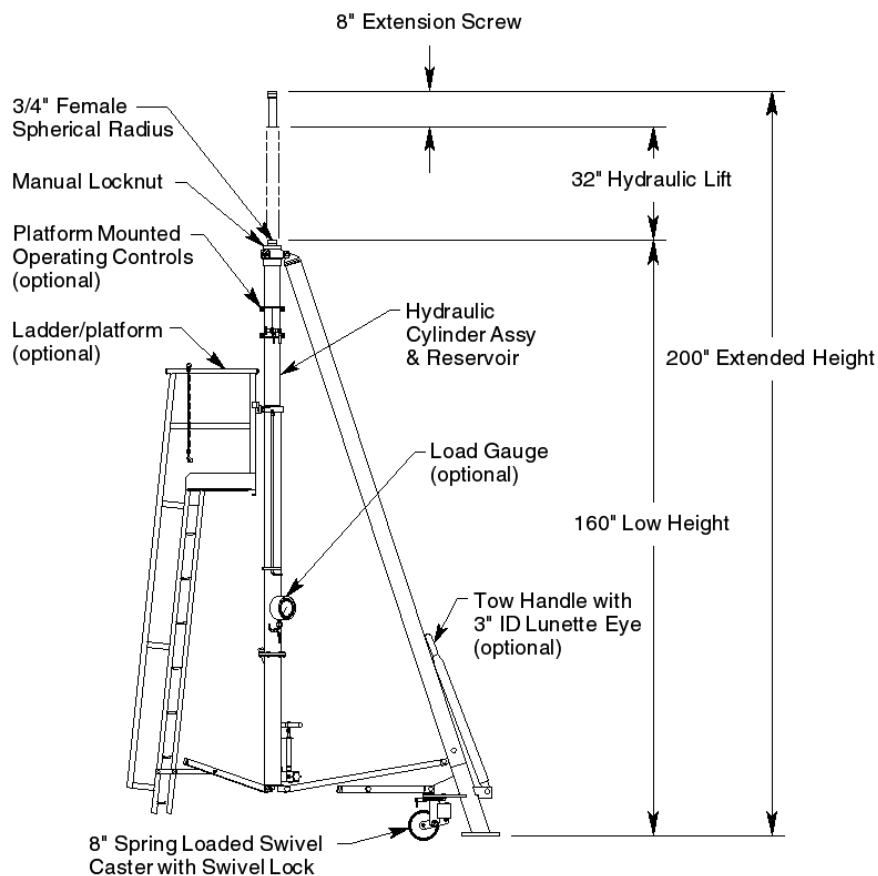
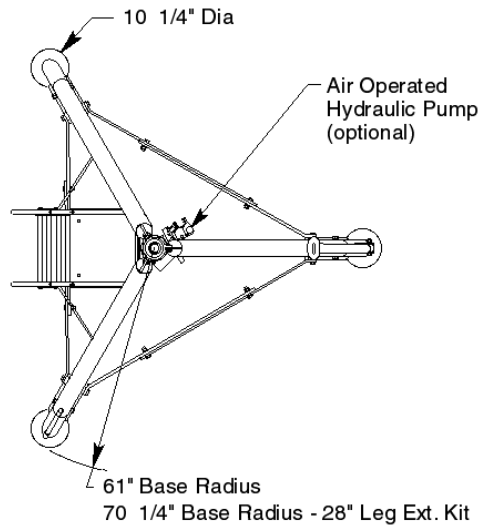
- Manual hand pump with high, medium and low pressure operating positions
- Heavy duty swivel casters with swivel locks
- Rain hat (covers jack upper head)
- Hard chrome plated cylinder bore
- All unpainted parts are plated to resist corrosion
- Skydrol resistant paint (safety yellow)
- Factory proof load @ 150% of rated capacity
- Three year standard warranty
- Shipment on domestic skid

Optional Features:

- Air operated hydraulic pump
- Load gauge for load indication (reads tons/psig)
- Tow handle for ease of towing
- 28 inch leg extension kit
- Platform mounted operating controls allow one person to position locknut while controlling lifting and lowering operations
- Ladder/platform
- Customer specified paint color
- Export crating

5 Ton Variable Height Tripod Jack

Model 8487A



Model 8487A shown with 28" Leg Extension Kit (optional)

For more information contact: sales@malabar.com

5 Ton Variable Height Tripod Jack

Model 8487A

Specifications:

Rated Capacity	5 tons (4.5 m. tons)
Side Load.....	15% of vertical load
Roll Under Height	161.5 inches (4102 mm)
Roll Under Height with 28" Leg Extension	189.5 inches (4813 mm)
Low Height.....	160.0 inches (4064 mm)
Low Height with 28" Leg Extension.....	188.0 inches (4775 mm)
Hydraulic Lift.....	32 inches (813 mm)
Extension Screw.....	8 inches (203 mm)
Total Extended Height.....	200 inches (5080 mm)
Total Extended Height with 28" Leg Extension	228 inches (5791 mm)
Oil Pressure at Rated Capacity	1030 psig (72 kg/sq cm)
Safety Pop-off Valve set at.....	5.5 tons (5.0 m. tons)
Proof Load	7.5 tons (6.8 m. tons)
Reservoir Capacity	1.8 gallons (6.8 liters)
Hydraulic Fluid.....	MIL-PRF-5606 or equivalent
Maximum Towing Speed.....	5 mph (8 km/h)
Approximate Jack Net Weight.....	1150 lbs (522 kg)

Model 8487A Typical Aircraft Applications:

Jack Configuration	Aft Fuselage
8487A	A310
8487A with 28" Leg Extension Kit	A300

Optional Equipment Codes:

(Specify with order)

- AP: Air Operated Hydraulic Pump
- GA: Load Gauge
- TH: Tow Handle
- LE: 28" Leg Extension Kit
- LA: Ladder/platform Kit
- RC: Platform Mounted Operating Controls
- SPC: Special Paint Color (yellow is standard)
- 8487APK: Repair Kit

5 Ton Variable Height Tripod Jack

Model 8487A

Packaging Codes & Options:

(Specify with order)

- KD: Domestic Skid – Jack Knocked Down
- ECKD: Export Crate – Jack Knocked Down (Additional Cost)

Shipping Data:

NOTE: Unless otherwise specified, Model 8487A jack is shipped on a wood skid in the knocked down condition. Refer to Malabar Tripod Jack Shipping Supplement for additional packaging information.

Packaging Code	Length inches (mm)	Width inches (mm)	Height inches (mm)	Weight lbs (kg)
KD	192 (4877)	40 (1016)	42 (1067)	1500 (680)
ECKD	194 (4928)	45 (1143)	45 (1143)	1900 (862)