

# 5 Row Wood Bleacher x 12ft. Assembly Instructions



Riser boards are required on a 5 row bleacher. They are available in pipe and wood upon your request. Follow instructions according to your choice.

## EACH BLEACHER REQUIRES THE FOLLOWING:

- (3) HDG 5 Row Bleacher Frames per
- (3) 2" x 6" x 9'0" recycled plastic skid sleepers - factory installed on the bottom of frames
- (4) HDG cross brace sets @ 62-7/8" (centre bolts attached)
- WITH PIPE RISER BOARD OPTION: (5) 1" HDG Sch. 40 pipe x 12ft. (riser area restriction - see wood or aluminum option)

## HARDWARE:

- (12) 3/8" x 1-1/2" Hex Head Gr. #5 Bolts, nuts and L/W (to fasten (4) cross brace sets (3) HDG frame assembly)
- WITH PIPE RISER BOARD OPTION: (15) 3/8" HDG U bolts to fasten pipes in footboard area (please see drawings)
- WITH WOOD RISER BOARD OPTION: 24 carriage bolts used for wood 2" x 6" riser boards

## LUMBER REQUIRED BY YOU:

- (13) pieces 2" x 10" x 12' for the seat boards and double foot boards
- WOOD RISER BOARD OPTION: (3) pieces 2" x 6" x 12' for Row #2-3-4 riser boards  
(1) piece 2" x 10" x 12' for Row #5 riser board (if required - see pipe option)

## INSTRUCTIONS: Setting the Frames

### STEP #1:

- The (3) bleacher frames when spaced properly will have an overall measurement of 10' - 1/2"

**W.H. Reynolds (Cambridge) Ltd.**

P.O. Box 32144 Cambridge, Ontario, Canada N3H 5M2

58 Cowansview Rd.

[bleacherguys.com](http://bleacherguys.com)

TEL: (519)-653-9721

FAX: (519)-621-2386

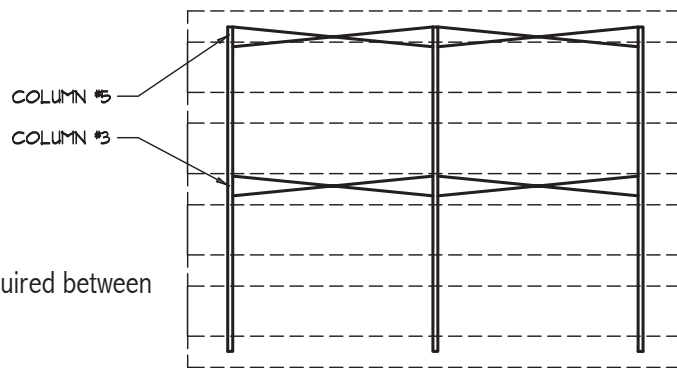
TOLL FREE: 1-888-653-9721

## STEP #2:

- Bolt the 62-7/8" cross braces to Col #5 and Col #3 using the 3/8" x 1 1/2" Hex Head Bolt/Nut/ Lock washers.
- The holes for these cross braces are under the footboard elevation.
- These holes are 12 1/2" on center.

Please note there are (2+2) sets of cross braces required between the (3) frames.

-See Plan view drawing provided.



## STEP #3:

Tighten all hardware/fasteners before fastening your wood.

## INSTRUCTIONS: Installing Wood

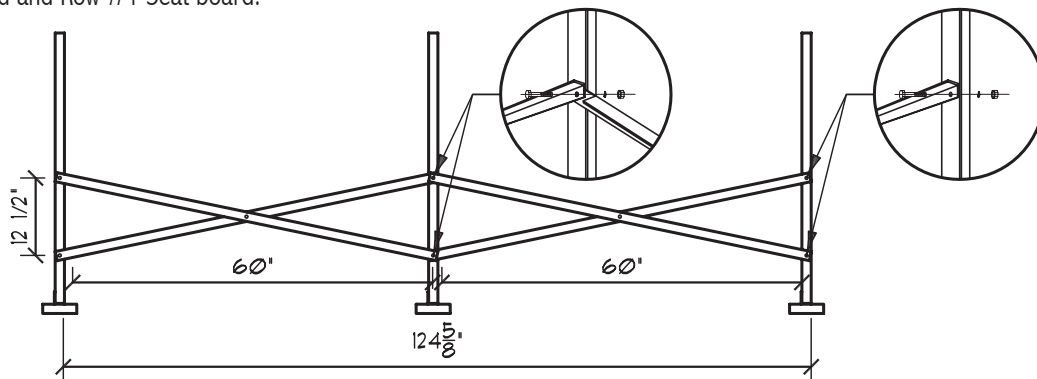
### STEP #4:

Some of the "tricks of the trade" are - The rear holes in the Row #1 to #4 seat boards cannot be drilled from the underside as the foot boards will be in the way. The trick is a skilled person can drill from the top. Also the Row #5 rear footboard cannot be drilled from underneath and should be drilled from the top as well. Please use a drill jig to ensure holes are properly aligned.

The order to install (drill) lumber is listed below:

You should use a 9 ft. straight edge to make sure the ends of all planks are aligned and hang over the steel frames approximately 11 1/2".

1. Row #5 Seat board. Drill both ends first. This acts as a "straight edge" it aligns the (3) frames and spaces properly.
2. Row #5 Foot boards. Use pipe clamps to minimize gaps between the double foot boards in all footboard locations
3. Row #4 Seat board
4. Row #4 Footboard. After drilling and before bolting down, move these to Row #2 footboard location. (You can see the Row #2 footboards cannot be drilled in place)
5. Row #4 Footboard
6. Row #3 Seat board and Row #3 Footboards
7. Row #2 Seat board and Row #1 Seat board.



# 5 Row Wood - Assembly Instructions

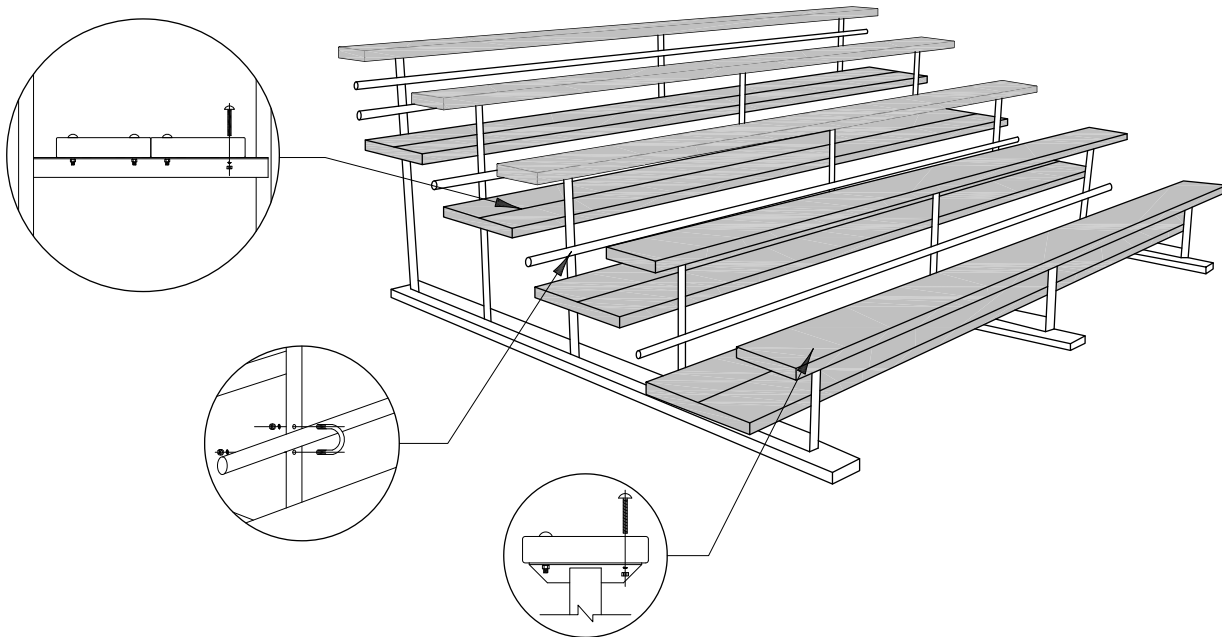
### **STEP #5:**

The riser boards can be installed after the bleacher is assembled. The holes that attach the riser boards are pre-punched in the frames to accept (2) 5/16" Carriage Bolts at each frame location. Our drawing shows "U" bolts where pipes can be attached as an extra.

### **STEP #6:**

All lumber hardware **SHOULD NOT BE OVERTIGHTENED** as this will only cause moisture damage to the lumber over time when used outdoors.

Tighten nuts on carriage bolts so that the dome of the bolt does not pull into the body of the lumber.



Please refer to drawings ATTACHED for reference.

You are DONE!

Any other questions, Please call toll free: 1-888-653-9721

**W.H. Reynolds (Cambridge) Ltd.**

# **5 Row Wood - Assembly Instructions**