

made in germany



Qcompact - Roller Door for
Carports & Garages



Only 165 mm of
space required
for 2.50 m
high door



QOMPACT[®]
by Alulux



The Alulux Qompact roller door is a complete system. Ideal solution for carports and garages up to widths of 4.60 m. A Qompact roller door prevents unauthorized access to parking zones.

It can be used not just as a roller door for carports and garages, but also to control access within commercial premises. The Qompact system is increasingly used indoors, for example at display windows and shop doors. In this case, the system is installed indoors directly behind the display window, the entrance door or the wall opening as burglary and entry protection. Indoor assembly of the Qompact system thus provides users with additional protection within premises. When using punched profiles, people outside can still view the display window, but the deterrent to potential thieves is greater.

Unobtrusive

The roller door box is up to 45% smaller than standard boxes and is therefore also easy to install in low headroom garages or carports.

Optimum security

The Qompact roller door is used as burglary protection, making it very difficult for unwanted guests to gain entrance.

Vandalism protection

Leaving too much for the public to see and a lack of security features can lead to vandalism and unauthorised access.

The Qompact roller door protects carports, garages, shops and any items of value stored within them.

Robust, factory tested

The single-skinned aluminium profile is extremely robust as it is extruded. This increases burglary protection and protects against extreme weather conditions.

Variable

Depending on the customer's requirements, Alulux Qompact roller doors can be equipped with punched or un-

punched profiles. The punched profiles ensure natural ventilation and allow sunlight to pass unobstructed even when the roller door is closed.

Colours

Alulux roller doors can be individually powder coated to match the colour of the facade.

Available standard colours

RAL 9016	RAL 9006	RAL 7016
----------	----------	----------

Traffic white RAL 9016, White aluminium RAL 9006, Anthracite grey RAL 7016. Special colours in RAL for an extra charge.

Box types

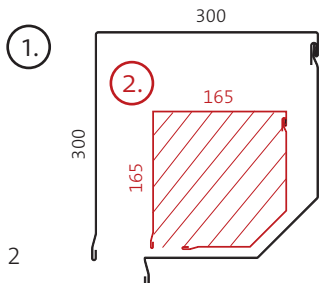


Box sizes = element heights with aluminium Q profile

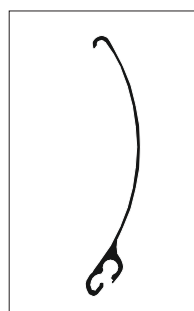
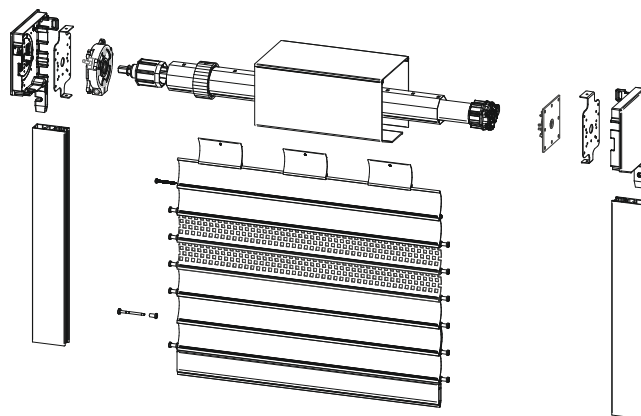
Box size 165 mm	= Element height 2.50 m
Box size 180 mm	= Element height 3.00 m
Box size 205 mm	= Element height 3.60 m

45% smaller box:

1. Roller door for garages with 77 mm aluminium profile, foam core, element height 2.50 m = box 300 mm
2. Qompact roller door for carports & garages with extruded aluminium Q profile, element height 2.50 m = box 165 mm **45% smaller box**



Alulux Qompact roller door for carports & garages



Extruded aluminium Q profile, example profile no. 4

FOR CARPORTS & GARAGES



Only 165 mm of space required for 2.50 m high door



Garage doors Carports Display windows



Entry control Burglar resistance Motor drive



Lockable Additional indoor protection

Do the **CHECK** and make sure unauthorised access is not possible.

Check: Access to a garage, carport or shop secured?

Display window secured?



Securely closed, excellent protection!



Garage doors Carports



Display windows



Advantages

- Small extruded roller door box
- Effective burglary protection
- Impact resistant, shockproof
- Storm tested
- Secured by a motor brake against being forced open
- Motor operated as standard

Facts

- Unique winding properties of the roller door curtain - very tight winding, resulting in an unobtrusive small box.
- Fully extruded system; optimum security, strong material
- Powder coated surface; best surface and weather protection
- Secured via Q-XL security side locking; against being levered out of the lateral guide channel
- Sealed and punched profiles can be combined; offering great visual diversity

ALULUX®

www.alulux.com