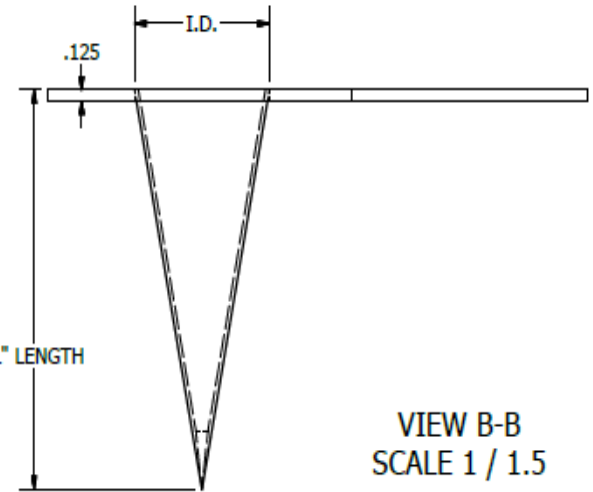
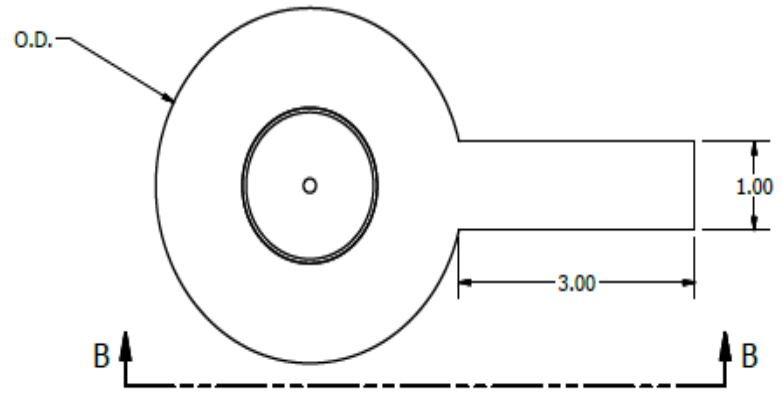


| REVISION HISTORY |                 |           |          |
|------------------|-----------------|-----------|----------|
| REV              | DESCRIPTION     | DATE      | APPROVED |
| 0                | INITIAL RELEASE | 8/25/2016 | TZ       |



VIEW B-B  
SCALE 1 / 1.5

NOM. PIPE SIZE: \_\_\_\_\_  
 FLANGE RATING: 150 / 300 / 600 / 900 / 1500  
 MATERIAL TYPE: \_\_\_\_\_ (316SS, MONL400, HASTC276, TI G2, OTHER)  
 PERFORATION SIZE: \_\_\_\_\_ (EX: 1/8" HOLES ON 3/16" CENTERS)  
 FLOW DIRECTION: \_\_\_\_\_ (NORMAL OR REVERSE)  
 MESH SIZE: \_\_\_\_\_ (INDICATE NONE IF NOT REQUIRED)  
 HANDLE: \_\_\_\_\_ (Y OR N)

CONE TYPE WITH 1/8" HOLES ON 3/16" CENTERS

| NOM. PIPE SIZE | I.D.  | O.D. 150/300 # ANSI | O.D. 600 # ANSI | O.D. 900 # ANSI | O.D. 1500 # ANSI | D     | L=100% | L=150% | L=200% |
|----------------|-------|---------------------|-----------------|-----------------|------------------|-------|--------|--------|--------|
| 3/4"           | 0.625 | 2.125               | 2.5             | 2.625           | 2.625            | 0.375 | 2.25   | 2.25   | 3      |
| 1"             | 0.75  | 2.5                 | 2.75            | 3               | 3                | 0.5   | 2.625  | 2.75   | 3      |
| 1 1/2"         | 1.25  | 3.25                | 3.625           | 3.75            | 3.75             | 0.75  | 3.1875 | 4      | 5      |
| 2"             | 1.75  | 4                   | 4.25            | 5.5             | 5.5              | 1     | 3.5    | 6      | 8      |
| 2 1/2"         | 2.25  | 4.75                | 5               | 6.375           | 6.375            | 1.25  | 4.0625 | 6.25   | 8      |
| 3"             | 2.75  | 5.25                | 5.75            | 6.5             | 6.75             | 1.5   | 4.25   | 6.75   | 9      |
| 4"             | 3.75  | 6.75                | 7.5             | 8               | 8.125            | 2     | 5      | 10     | 12     |
| 5"             | 4.625 | 7.625               | 9.375           | 9.625           | 9.875            | 2.5   | 6      | 12     | 14     |
| 6"             | 5.375 | 8.625               | 10.375          | 11.25           | 11               | 3     | 7      | 13     | 18     |
| 8"             | 7.375 | 10.875              | 12.5            | 14              | 13.75            | 4     | 8.1875 | 17     | 23     |
| 10"            | 9.375 | 13.25               | 15.625          | 17              | 17               | 5     | 12     | 22     | 28     |
| 12"            | 11    | 16                  | 17.875          | 19.5            | 20.375           | 6     | 13     | 26     | 34     |
| 14"            | 12.25 | 17.375              | 19              | 20.375          | 22.625           | 7     | 15     | 27     | 36     |
| 16"            | 14    | 20.125              | 21.875          | 22.5            | -                | 8     | 17     | 30     | 40     |
| 18"            | 15.75 | 21.25               | 23.75           | 25              | -                | 9     | 19     | 35     | 46     |
| 20"            | 17.5  | 23.5                | 26.625          | -               | -                | 10    | 21     | 39     | 51     |
| 24"            | 21.25 | 27.875              | 30.875          | -               | -                | 12    | 25     | 45     | 61     |

|   |           |  |
|---|-----------|--|
| NAME  | DATE      | <a href="http://www.witchhatstrainers.com">www.witchhatstrainers.com</a><br>Phone: 800-486-7075              |
| ENG APPR TOM Z  | 8/25/2016 |  |
| MGR APPR AL BORZI   | 8/25/2016 | TITLE<br><b>CONE STRAINER</b><br>SIZE B DWG NO FFM006<br>CUSTOMER: CUSTOMER NAME<br>SCALE: 1/2 SHEET: 2 OF 2 |
| MATERIAL:   |           |  |
| UNLESS OTHERWISE SPECIFIED DIMENSIONS ARE IN INCHES ANGLES ±X.X° 2 PL ±X.XX 3 PL ±X.XXX |           |  |
|   |           |  |

THIS DRAWING CONTAINS INFORMATION PROPRIETARY TO FLUID FILTRATION MANUFACTURING CORPORATION, ANY UNAUTHORIZED USE OF THIS DRAWING IS EXPRESSLY PROHIBITED WITHOUT THE WRITTEN PERMISSION FROM FPMC.