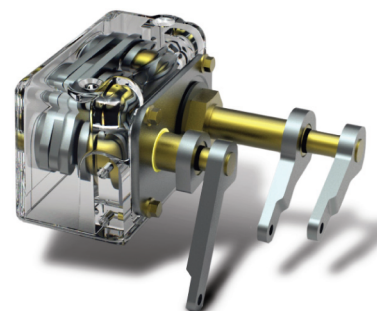
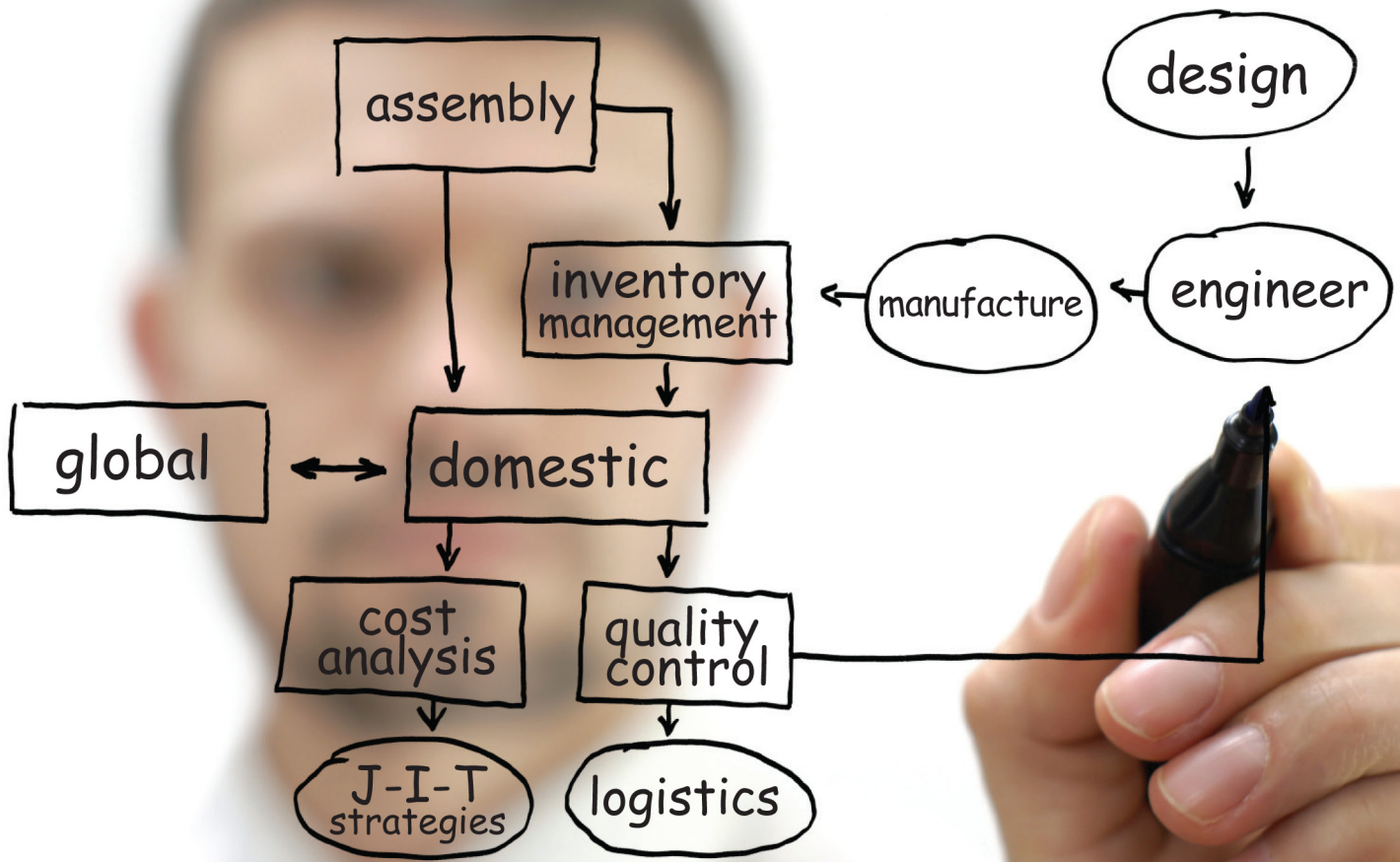


ESP Solutions™



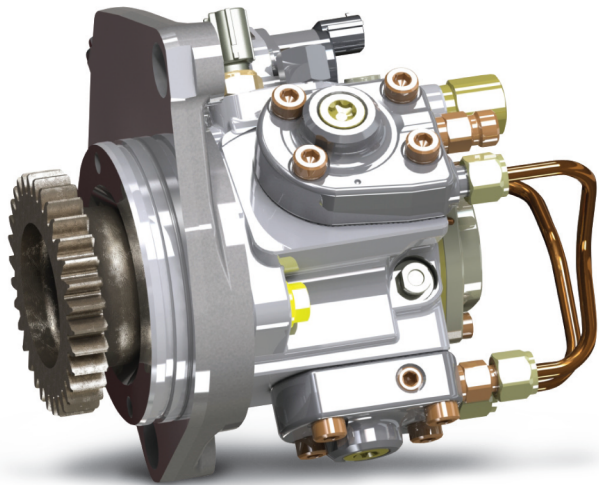
We make small parts a big part of your bottom line.





ESP adds value when your margins are on the line.





Providing many solutions. Guaranteeing one result: Satisfaction.

More than just a seal manufacturer.

ESP offers a complete suite of products and services that are critical to global OEMs. Our engineered solutions add value to your bottom line at every stage. We design, manufacture and provide components such as seals, metal castings and forgings that meet your specifications – and your expectations.

But beyond providing you with the exact part your manufacturing process requires, we back it up with value-added services such as assembly services, inventory management programs and supply chain logistics.

Engineered solutions. Delivering success.

The advantage of working with ESP begins with our engineering expertise, global connections and attention to detail. We don't treat small parts like *small* parts. We have the ability to efficiently manage the entire process from sourcing to manufacturing plant delivery.



ESP provides engineered solutions that:

- **Reduce capital requirements** – such as excessive inventory and capital equipment costs.
- **Reduce suppliers** – With our comprehensive suite of services and solutions, we can simplify your go-to-market process by reducing multiple and redundant vendor transactions.
- **Improve quality** – through our technical expertise and global management.
- **Increase productivity** – throughout your factory by providing assemblies on a J-I-T basis.
- **Manage global programs** – for multinational accounts.



**We make small parts
a big part of your bottom line.**

At ESP, we draw on our experience and apply our expertise at every stage of everything we do. Global insight, connection and reach allows us to deliver the right engineered solutions at the right time. It's our passion for performance that leads to profitability for our OEM customers.

