

***Steel City***<sup>®</sup>

**68-HP Floor Box**

**Universal 3-Gang Design Provides  
Superior Capacity and Mounting Flexibility**



***Thomas & Betts***

## Steel City® 68-HP Floor Box Innovative 3-Gang Round Floor Box for Power, Data and AV



Combines the **Capacity** of a 3-gang box with the **Affordability** of a round non-metallic floor box

- 6" diameter round non-metallic floor box — the largest in the industry
- Large inline hubs for power and data wiring: 1" for power, 1½" for data

Unmatched **Flexibility** to configure any combination of power and communications devices

- Accepts standard devices from any manufacturer, including duplex, GFCI, locking, hospital grade or isolated ground receptacles
- Accommodates a wide variety of multi-media devices through the use of rectangular adapters



## No leveling, gluing or aligning for an **Easy Installation**

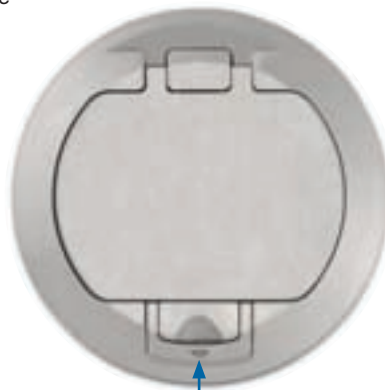
- No wasted time leveling the box before the concrete is poured — simply cut the box at the appropriate height after the pour
- No gluing — stainless steel retention bars secure the mounting frame to the box
- Round design — no need to align the box with walls during installation



*Stainless Steel Bars*



*Lid Lies Flat Against the Floor While In Use*



*Slide Latch for Tool-less Access*

## Easy-to-Use Covers Made of **Durable** solid brass and aluminum

- Stands up to heavy carts, cleaning equipment, and general floor traffic
- Convenient slide latch provides tool-less access to devices
- Lid lies flat while in use to minimize obstructions above floor level

## Furniture-Feed and Cast Iron options for a **Comprehensive** floor box solution

- Dual-voltage furniture-feed covers transition power and communications wiring from the floor into modular furniture
- Cast iron box with a non-metallic collar for slab-on-grade or metallic conduit applications



*1" Hub for Power, 1½" Hub for Data*



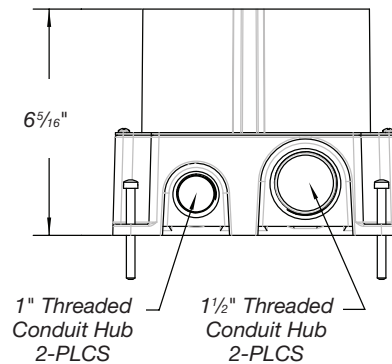
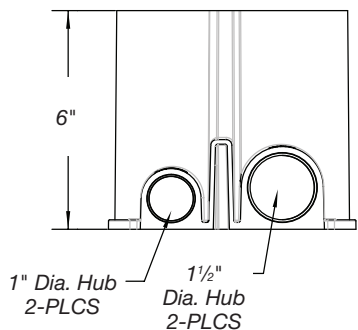
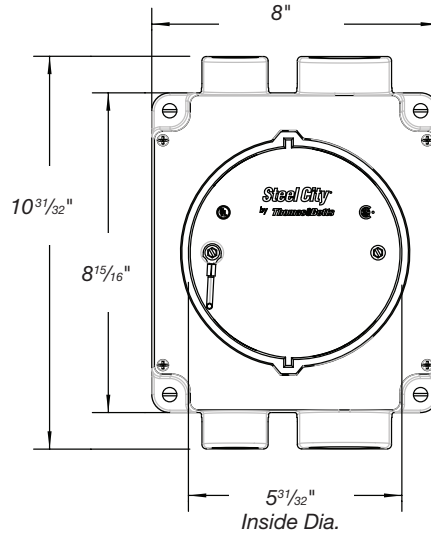
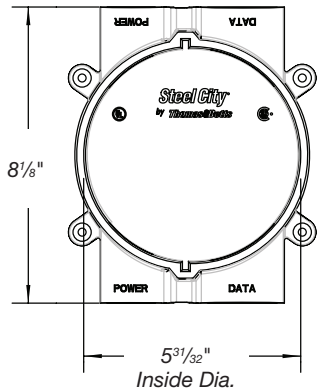
## Steel City® 68-HP Floor Box Floor Boxes



**68-HP**  
6" Round  
Non-Metallic  
Floor Box



**68-HP-CI**  
Cast Iron Floor Box  
with 6" Round  
Non-Metallic Collar



### Steel City 68-HP Floor Box

#### Minimum Concrete Depth

Cat. Number	Description	Minimum Concrete Depth			UPC Number
		Flush	Furniture Feed	Standard Pack Qty.	
<b>68-HP</b>	6" Round Non-Metallic Floor Box	4"	3 1/2"	4	785991-05619
<b>68-HP-CI</b>	Cast Iron Floor Box with 6" Round Non-Metallic Collar	4 1/2"	4"	1	785991-05620

# Steel City® 68-HP Floor Box Flush Covers

- Slide latch for tool-less access to devices
- Lid lies flat when box is in use
- Requires Flush Mounting Kit (Cat. No. 68-HP-FMK) to mount cover (see page 6)



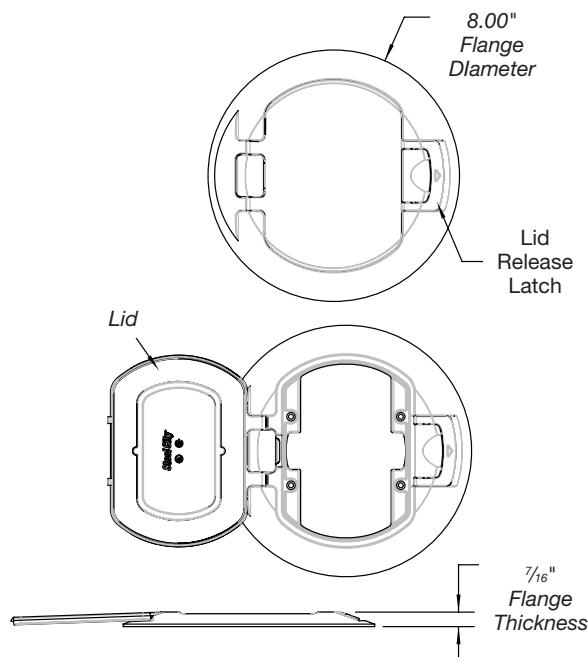
**68-HP-FC-ALM**  
Aluminum cover  
with brushed finish



**68-HP-FC-BRS**  
Solid brass cover  
with brushed finish



**68-HP-FC-BLK**  
Aluminum cover  
with powder-coated  
black finish



Pull slide latch  
to release lid

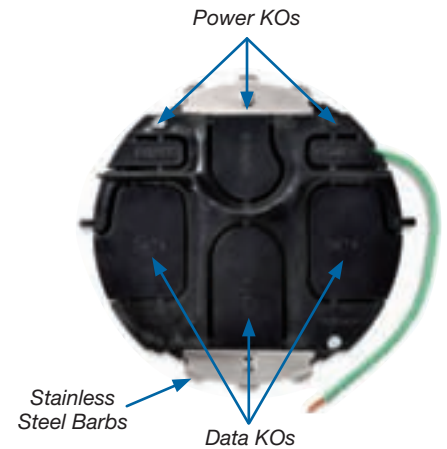


## Flush Covers

Cat. Number	Description	Standard Pack Qty.	UPC Number
<b>68-HP-FC-ALM</b>	Flush Cover — Solid Aluminum with Brushed Finish, 1,000 lb. Load Rating	4	785991-05627
<b>68-HP-FC-BRS</b>	Flush Cover — Solid Brass with Brushed Finish, 1,500 lb. Load Rating	4	785991-05626
<b>68-HP-FC-BLK</b>	Flush Cover — Solid Aluminum with Black Powder-Coated Finish, 1,000 lb. Load Rating	4	785991-05628

## Steel City® 68-HP Floor Box Flush Mounting Kit and Accessories

- Flush Mounting Kit required in order to mount devices and covers to the 68-HP series floor box
- Stainless steel bars — no gluing required
- Includes (3) compartments for standard devices
- Voltage dividers allow any combination of power and communications devices
- Each compartment includes (1) knockout for power and (1) knockout for data for access to either power or communications wiring



### Optional Accessories

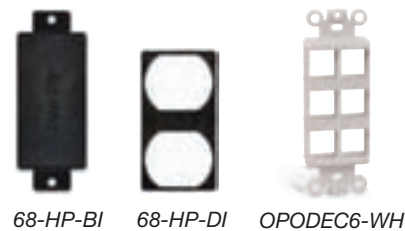


68-HP-FMK  
Flush Mounting Kit

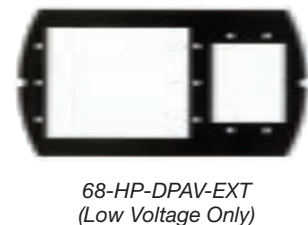
#### Device Plates



#### Regular Inserts



#### Extron® AV Plate



### Flush Mounting Kit and Accessories

Cat. Number	Description	Standard Pack Qty.	UPC Number
68-HP-FMK	Mounting Kit for Flush Covers	4	785991-05622
68-HP-DPC-GFCI	Center Device Plate — GFCI/Rectangular Receptacle	10	785991-05633
68-HP-DPS-DEC	Side Device Plate — Rectangular Receptacle	10	785991-05632
68-HP-DPC-R	Center Device Plate — Single Round Receptacle, 1½" Opening	10	785991-05646
68-HP-DPC-2MAAP	Center Device Plate — 2 Extron® MAAP Plates*	10	785991-05655
68-HP-DPS-2MAAP	Side Device Plate — 2 Extron® MAAP Plates*	10	785991-05647
68-HP-BI	Rectangular Insert — Blank (for unused compartments)	10	785991-05670
68-HP-DI	Rectangular Insert — Duplex Receptacle	10	785991-05669
OPODEC6-WH	Rectangular Adapter for GFCI/Rectangular Device Plate — 6-Port Data, Keystone, White**	5	786209-92475
68-HP-DPAV-EXT	Extron® AV Plate — 3 AAP Plates, 2 MAAP Plates*	1	785991-05667

\* Extron® MAAP Plates purchased from an authorized Extron® distributor. Extron® is a registered trademark of RGB Systems, Incorporated.  
\*\* Additional rectangular adapters available for low voltage applications — see Communications Accessories on back page.

# Steel City® 68-HP Floor Box

## Furniture Feed Covers and Mounting Kit

- Dual-voltage covers for feeding power and communications wiring to modular furniture
- Furniture Feed Mounting Kit required to mount covers to the 68-HP series floor box



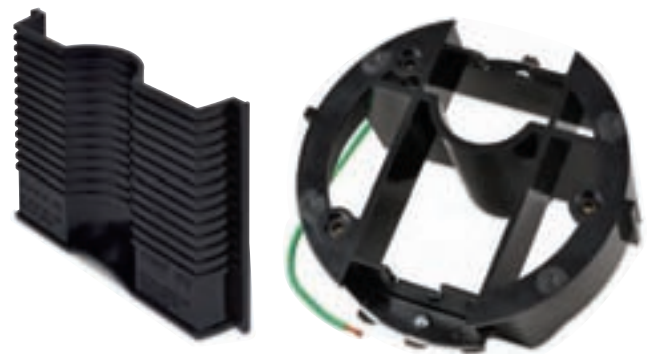
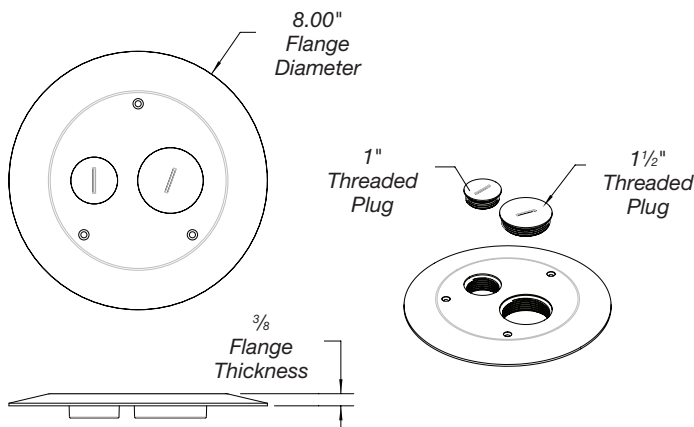
**68-HP-FFC-ALM**  
Aluminum cover  
with brushed finish



**68-HP-FFC-BRS**  
Solid brass cover  
with brushed finish



**68-HP-FFC-BLK**  
Aluminum cover with  
powder-coated black finish



**68-HP-FFMK**  
Furniture Feed  
Mounting Kit

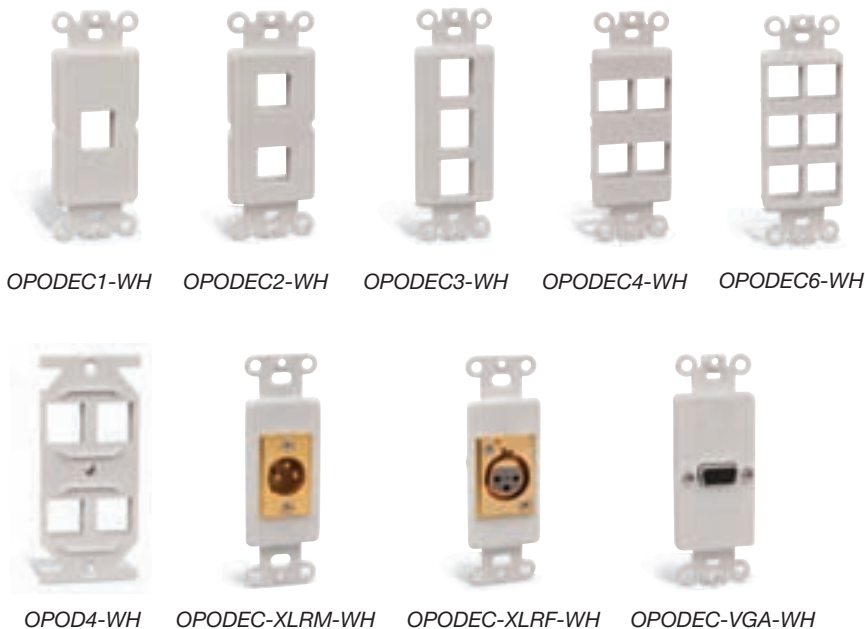


### Dual-Voltage Furniture Feed Covers and Accessories

Cat. Number	Description	Standard Pack Qty.	UPC Number
<b>68-HP-FFC-ALM</b>	Furniture Feed Cover — Solid Aluminum with Brushed Finish	4	785991-05630
<b>68-HP-FFC-BRS</b>	Furniture Feed Cover — Solid Brass with Brushed Finish	4	785991-05629
<b>68-HP-FFC-BLK</b>	Furniture Feed Cover — Solid Aluminum with Black Powder-Coated Finish	4	785991-05631
<b>68-HP-FFMK</b>	Mounting Kit for Furniture Feed Covers	4	785991-05623

## Steel City® 68-HP Floor Box Communications Accessories

### Rectangular/Duplex Adapters



### Keystone Inserts



### Communications Accessories

Cat. Number	Description	Std. Pack Qty.	UPC Number
<b>Rectangular/Duplex Adapters for Use with Standard Floor Box Device Plates</b>			
OPODEC1-WH	Rectangular Adapter for GFCI Device Plate, 1-port, Keystone, White	5	786209-92471
OPODEC2-WH	Rectangular Adapter for GFCI Device Plate, 2-port, Keystone, White	5	786209-92472
OPODEC3-WH	Rectangular Adapter for GFCI Device Plate, 3-port, Keystone, White	5	786209-92473
OPODEC4-WH	Rectangular Adapter for GFCI Device Plate, 4-port, Keystone, White	5	786209-92474
OPODEC6-WH	Rectangular Adapter for GFCI Device Plate, 6-port, Keystone, White	5	786209-92475
OPOD4-WH	Duplex Adapter, 4-port, Keystone, White	10	786210-79475
OPODEC-XLRM-WH	Rectangular Adapter, Male XLR Microphone Jack, Solder Leads, White	5	786209-92476
OPODEC-XLRF-WH	Rectangular Adapter, Female XLR Microphone Jack, Solder Leads, White	5	786209-92477
OPODEC-VGA-WH	Rectangular Adapter, VGA Connector, Female-to-female, White	5	786209-92478

Cat. Number	Description	Std. Pack Qty.	UPC Number
<b>Keystone Inserts for Data, Voice, and Audio Visual Applications</b>			
OPJDU5EL-WH	Cat-5e Data Jack, Keystone, White	5	786210-92973
OPJDU6L-WH	Cat-6 Data Jack, Keystone, White	5	786210-92974
OPJV6CL-WH	Voice Jack, 6-Conductor, USOC, Keystone, White	5	786210-92975
OPAFR	F-Connector, Recessed, Keystone, 1 GHz, Female-to-Female, Red	5	786209-92485
OPA35-WH	3.5mm Stereo Connector, Recessed, Keystone, Female-to-Female, White	5	786209-92479
OPARCAW	RCA Connector – Recessed, Keystone, Female-to-Female, White	5	786209-92482
OPARCAR	RCA Connector – Recessed, Keystone, Female-to-Female, Red	5	786209-92483
OPARCAY	RCA Connector – Recessed, Keystone, Female-to-Female, Yellow	5	786209-92481
OPAS-WH	S-Video Connector, 4-Pin, Recessed, Keystone, Female-to-Female, White	5	786209-92484
OPAHDMI-WH	HDMI Connector, Recessed, Keystone, Female-to-Female, White	5	786209-92480
OPAB-WH	Blank Insert, Keystone, White	25	786210-79392

Please ask your Thomas & Betts sales representative for a complete catalog of quality Thomas & Betts electrical products or visit us at [www.tnb.com](http://www.tnb.com). For customer service, call 1-800-816-7809. For technical questions, call 1-888-862-3289.