

FlexiPanels® Basic HMI

SALIENT FEATURES

- 4.3" and 7" TFT display options
- Suitable for basic applications, trending, tasks, alarms, logging, IEC 61131-3 programming environment, native ladder logic support
- Flash: 16MB, RAM: 16MB
- Approvals: CE, UL Class I Div 2, IP65

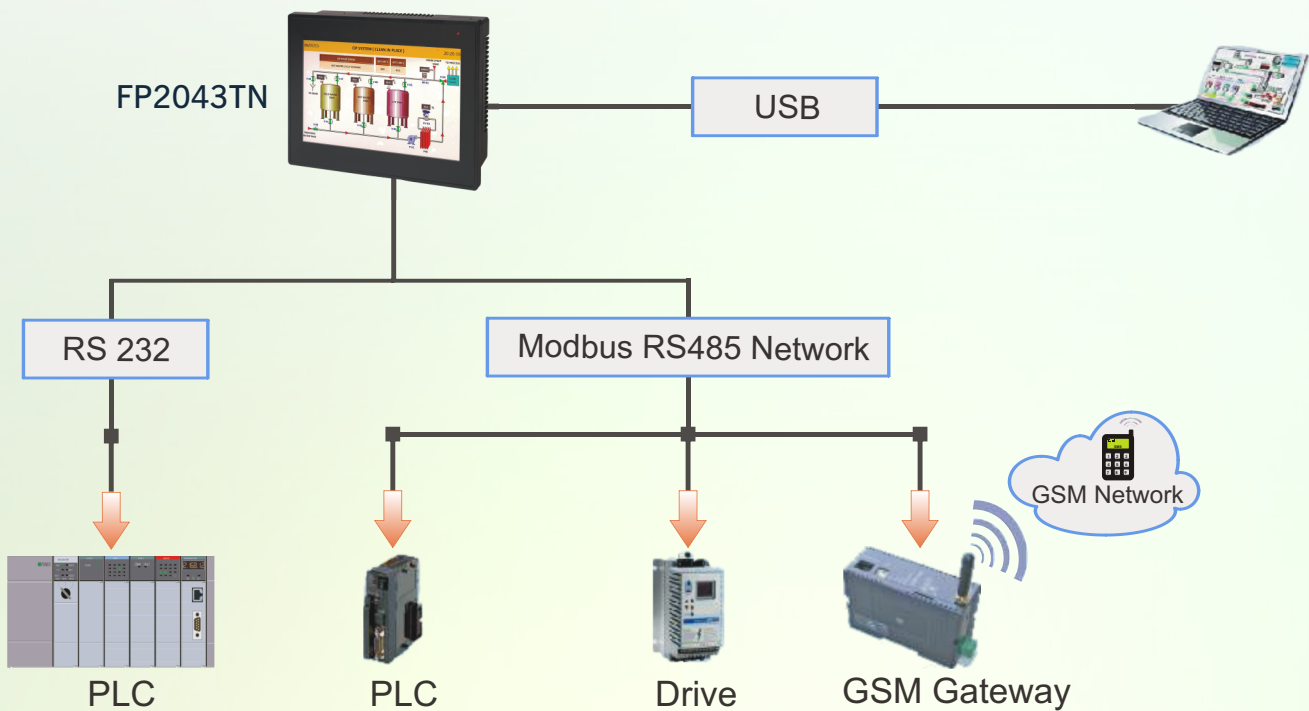


MODEL COMPARISON

Model	FP2043 Series		FP2070 Series	
Part Number	FP2043T	FP2043TN	FP2070T	FP2070TN
Display				
Size	4.3" WQVGA Color TFT		7" WVGA Color TFT	
Resolution	480 x 272		800 x 480	
Touch Screen	Analog Resistive			
CPU and Power				
CPU	32-bit RISC processor			
Flash	16MB			
RAM	16MB			
Power Supply	24 VDC (±15%)			
Isolation	Yes			
RTC	Built-in			
Communication				
Serial	2x RS232 / RS485 #		2x RS232 / RS485	
USB Device	1x micro 2.0			
Ethernet	NA	1x 10/100 Mbps	NA	1x 10/100 Mbps
Environment & Approvals				
Operating Temperature	0~50°C			
Storage Temperature	-20~85°C			
Humidity	10~95% non condensing			
Shock	25g, 11ms, 6 shocks per axis, Total 18 shocks (X, Y, Z)			
Vibration	5~150 Hz, 2g peak, (X, Y, Z)			
Protection	IP65 for front panel mounting			
Approvals	CE, UL Class I Div 2			

FP2043 support One DB9 port that supports RS232 and RS485 levels on different pins. "Y" type cable can be used for separate RS232 and RS485 levels simultaneously.

APPLICATION EXAMPLE



HMI ORDERING INFORMATION

Models	Description
FP2043T	4.3" TFT, 24VDC, 2 Serial ports (1 RS232, 1 RS485), 1 USB device
FP2043TN	4.3" TFT, 24VDC, 2 Serial ports (1 RS232, 1 RS485), 1 USB device, 1 Ethernet
FP2070T	7" TFT, 24VDC, 2 Serial ports (RS232/RS485), 1 USB device,
FP2070TN	7" TFT, 24VDC, 2 Serial ports (RS232/RS485), 1 USB device, 1 Ethernet

SUPPORTED OBJECTS

Drawing Tools
Line, Rectangle, Ellipse
Rounded Rectangle
Text, Multilingual text
Picture

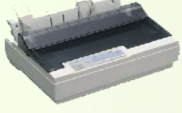
Data Entry / Data Display
Numeric data
Bit data

Clock Objects
Time
Date

Advance Objects
Buttons
Lamps
Bargraph
Multiple Bargraph
Analog Meter
Alarm
Numeric Keypad
ASCII Keypad
Custom Keypad

Supported Tasks
Button specific tasks
Global tasks
Screen specific tasks
Data exchange tasks

Supported Printer
FlexiPanels® support following Dot Matrix serial printers:
◆ EPSON
◆ SAMSUNG
◆ TVS

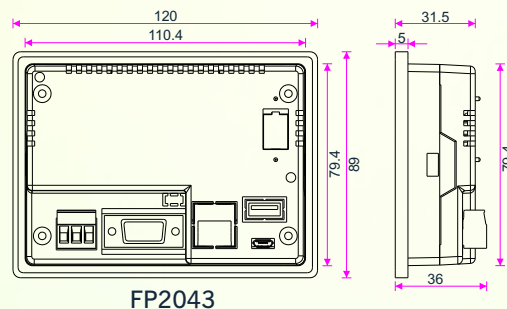


SUPPORTED PROTOCOLS

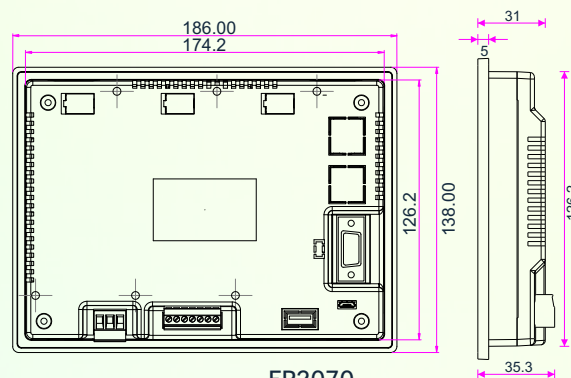
ABB PLCs
Allen Bradley DF1
Panasonic FP Series
Baldor
Danfoss Drive
Delta PLCs
Fatek PLCs
FlexiLogics Master Driver
FlexiLogics Slave Driver
G9SP Safety Controller
GE SNP
GE SNP-X
Idec PLCs
Keyence KV Series
LG Master K Series PLC
LG Master-K 300S
Mitsubishi FX
Mitsubishi Q series PLCs (Serial)
Modbus ASCII (Unit as Master)

Modbus RTU (Unit as Master)
Modbus RTU (Unit as Slave)
Modbus/TCP Master (Client)
Modbus/TCP Server (Slave)
Omron Host Link
Omron Inverter Memobus
Siemens Micromaster Driver (USS)
Siemens Step-7 Micro
Siemens Profinet PLCs
Toshiba (Link Port) Series PLCs
Toshiba Inverters PLC
Toshiba T Series
Toshiba PLC Ethernet Driver
Twido PLCs
Unitelway PLCs
Universal Serial Driver (ASCII)
Tri PLC
AB PLC EIP PCCC
Logix 5000 PLCs
Universal Ethernet Driver (ASCII)

DIMENSIONS



FP2043



FP2070

Please contact factory for more information. We welcome an opportunity to develop new, custom drivers and customized units.



HEAD OFFICE
 Survey No. 2/6, Baner Road,
 Pune - 411045, India.
 Tel : +91 20 2729 2840 - 46
 Email : info@renuelectronics.com

FACTORY
 Gat No. 1163, Ghotawade,
 Tal - Mulshi, Pune - 412115, India.
 Tel: +91 20 6687 2900

REGIONAL OFFICES

- Ahmedabad
- Bangalore
- Chennai
- Coimbatore
- Hyderabad
- Mumbai
- New Delhi

OVERSEAS DISTRIBUTORS

- USA
- Europe
- Asia Pacific