

FUSIBLE LINK FIRE SAFE VALVES



**FLANGED, FNPT, SOCKET WELD
AND TRI-CLAMP**

CONFIGURATIONS AVAILABLE

**FUSIBLE LINK VALVES AVAILABLE IN THE FOLLOWING MATERIALS:
STAINLESS STEEL AND CARBON STEEL IN SIZES 1/4" - 4"**

FUSIBLE LINK FIRE SAFE VALVES

VALTORC FUSIBLE LINK SERIES FS10

POPULAR PRODUCT!

FUSIBLE LINK VALVES ARE API FIRE SAFE WITH FM APPROVED LINKS

VALVE FEATURES

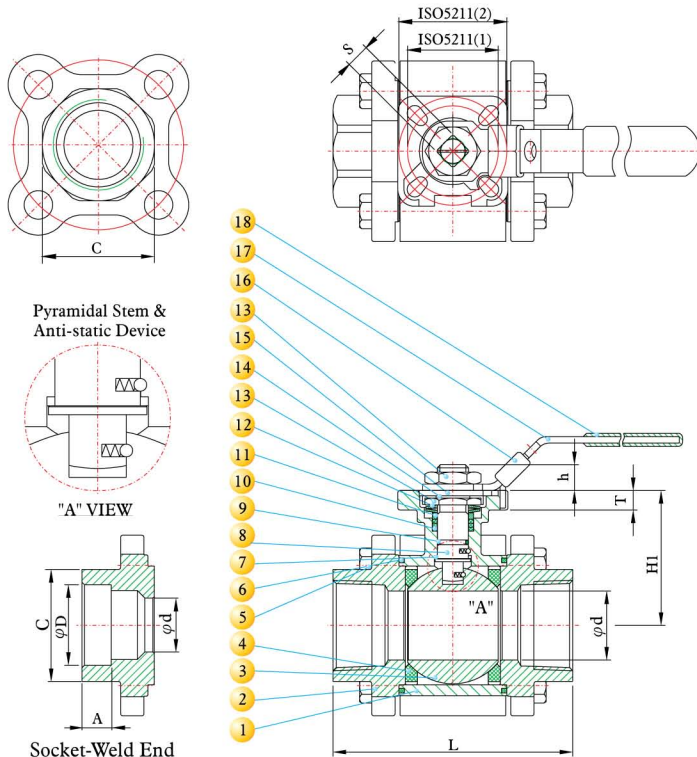
- Steam rating: 150 psi WSP
- Working Pressure: 1/2"~1" 2000 psi
1 1/4"~2" 1500 psi
- Body: ASTM A351 Gr. CF8M
ASTM A216 Gr. WCB
- PTFE SEAL KITS
- TEMPERATURE RATING: -45.5°C (-50°F) to 246°C (475°F)
- LONG CYCLE LIFE
- BLOW - OUT - PROOF STEM
- ANTI - STATIC DEVICE
- ADJUSTABLE STEM PACKING
- HANDLE WITH LOCKING DEVICE
- FULL ISO 5211 PAD FOR DIRECT MOUNT AUTOMATION
- End Connections: Threaded End
Socket-Weld End
- TEST STANDARD: API 598
- API 607 5th Edition FIRE SAFE APPROVAL
- Vacuum Service to 29" Hg



MATERIALS LIST

NO.	PART NAME	MATERIAL		QTY
		STAINLESS STEEL	CARBON STEEL	
1	BODY	ASTM A351 Gr.CF8M	ASTM A216 WCB	1
2	CAP	ASTM A351 Gr.CF8M	ASTM A216 WCB	2
3	BALL	ASTM A351 Gr.CF8M	ASTM A351 Gr.CF8M	1
4	SEAT	PTFE	PTFE	2
5	BOLT	ASTM A193 Gr.B8	ASTM A193 Gr.B7	8
6	GASKET	PTFE or GRAFOIL	*GRAFOIL	2
7	THRUST WASHER	*PTFE+50%S.S.	*PTFE+50%S.S.	1
8	STEM	ASTM A276 Gr.316	ASTM A276 Gr.316	1
9	O-RING	VITON	VITON	1
10	PACKING	*GRAFOIL	*GRAFOIL	1
11	RING	SS304	SS304	1
12	BELLEVEILLE WASHER	SS410	SS410	2
13	HANDLE NUT	SS304	SS304	2
14	STOP WASHER	SS304	SS304	2
15	STOPPER	SS304	SS304	1
16	LOCKING PLATE	SS304	SS304	1
17	HANDLE	SS304	SS304	1
18	HANDLE SLEEVE	VINYL GRIP	VINYL GRIP	1

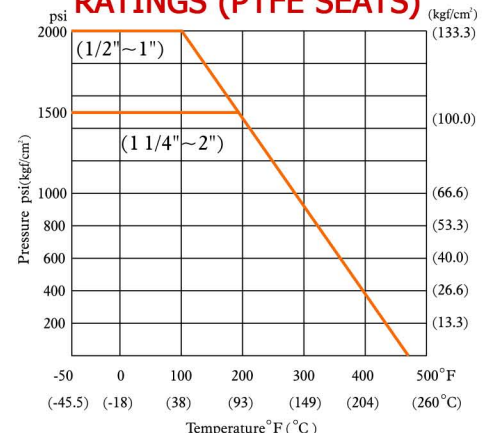
*For Fire-Safe only



DIMENSIONS

SIZE		A		C		D		d		L		H1		h		S		T		ISO 5211	Cv Factor	Weight	
inch	mm	inch	mm	inch	mm	inch	mm	inch	mm	inch	mm	inch	mm	inch	mm	inch	mm	inch	mm			Kg	Lb
1/2"	15	0.39	10	1.15	29.1	0.85	21.7	0.59	15.0	2.89	73.5	1.67	42.50	0.35	9.0	0.35	9	0.35	9	F03 / F04	26	0.93	2.05
3/4"	20	0.51	13	1.44	36.7	1.07	27.1	0.79	20.0	3.26	83.0	1.83	46.5	0.35	9.0	0.35	9	0.35	9	F03 / F04	55	1.34	2.95
1"	25	0.51	13	1.81	46.0	1.33	33.8	1.00	25.4	3.90	99.0	2.34	59.5	0.45	11.5	0.43	11	0.35	9	F04 / F05	110	2.18	4.80
1 1/4"	32	0.51	13	2.04	51.9	1.68	42.6	1.26	32.0	4.48	114.0	2.46	62.5	0.49	12.5	0.43	11	0.35	9	F04 / F05	180	3.47	7.64
1 1/2"	40	0.51	13	2.33	59.3	1.92	48.7	1.57	40.0	5.03	128.0	3.11	79.0	0.63	16.0	0.55	14	0.51	13	F05 / F07	270	4.73	10.42
2"	50	0.63	16	2.86	72.6	2.41	61.2	2.00	50.8	5.98	152.0	3.42	86.9	0.63	16.0	0.55	14	0.51	13	F05 / F07	500	7.54	16.61

PRESSURE TEMPERATURE RATINGS (PTFE SEATS)



PLEASE CONTACT US AT 1-866-VALTORC OR WWW.VALTORC.COM FOR VALVES IN ADDITIONAL SIZES AND CONFIGURATIONS

FUSIBLE LINK FIRE SAFE VALVES

VALTORC FUSIBLE LINK SERIES FS20

FUSIBLE LINK VALVES ARE API FIRE SAFE WITH FM APPROVED LINKS

POPULAR PRODUCT!

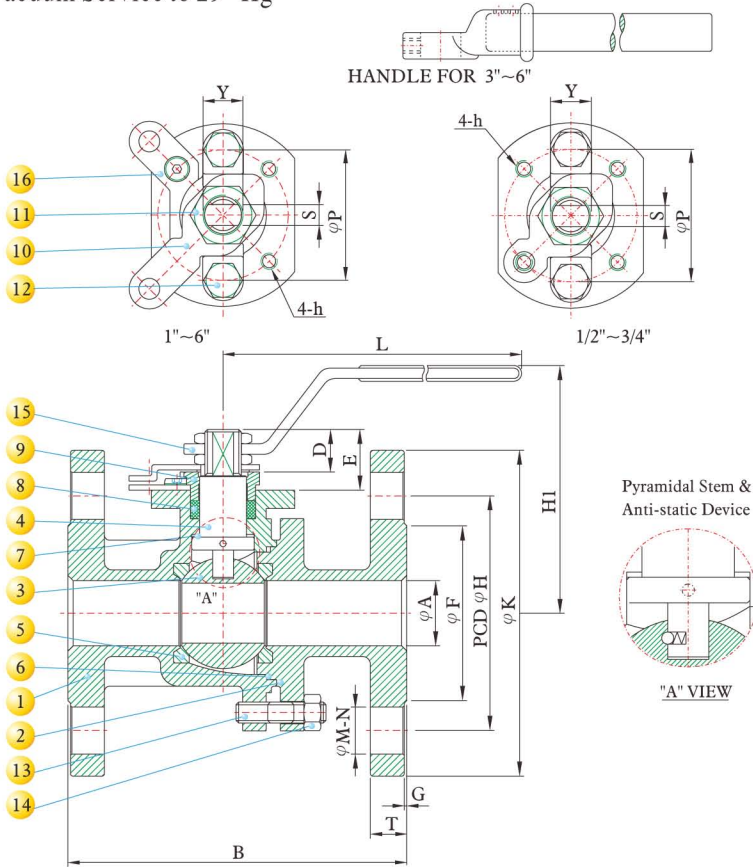
VALVE FEATURES

- Steam rating: 150 psi WSP
- NACE MR-0175 full compliance
- ISO 5211 Actuator Mounting Pad
- Blow-out-proof stem design
- Anti-Static Device
- Adjustable Stem Packing
- Locking Device
- Body: ASTM A351 Gr. CF8M
ASTM A216 Gr. WCB
- PTFE SEAL KITS
- Temperature Rating: -45.5°C (-50°F) to 246°C (475°F)
- Long Cycle Life
- ANSI B16.5 B16.10 and B16.34 Full Compliance
- API 607 4th Edition FIRE SAFE APPROVAL
- TEST STANDARD: API 598
- Vacuum Service to 29" Hg



MATERIALS LIST

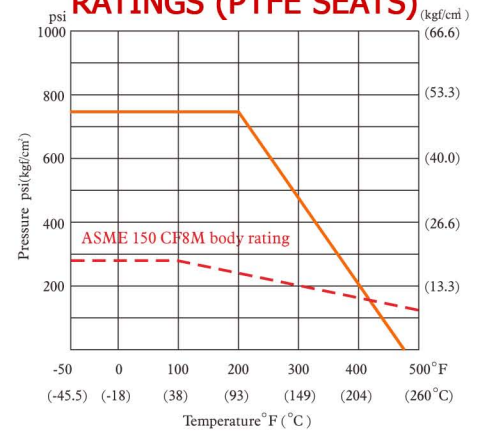
NO.	PART NAME	MATERIAL		QTY
		STAINLESS STEEL	CARBON STEEL	
1	BODY	ASTM A351 Gr.CF8M	ASTM A216 WCB	1
2	CAP	ASTM A351 Gr.CF8M	ASTM A216 WCB	1
3	BALL	ASTM A351 Gr.CF8M	ASTM A351 Gr.CF8M	1
4	STEM	ASTM A276 Gr.316	ASTM A276 Gr.316	1
5	SEAT	PTFE	PTFE	2
6	GASKET	GRAFOIL	GRAFOIL	1
7	THRUST WASHER	PTFE	PTFE	1
8	PACKING	GRAFOIL	GRAFOIL	1
9	GLAND	ASTM A351 Gr.CF8	ASTM A351 Gr.CF8	1
10	STOPPER	SS304	SS304	1
11	HANDLE NUT	SS304	SS304	2
12	GLAND BOLT	ASTM A193 Gr.B8	ASTM A193 Gr.B8	2
13	STUD BOLT	ASTM A193 Gr.B8	ASTM A193 Gr.B7M	4-10
14	SET NUT	ASTM A194 Gr.8	ASTM A194 Gr.2HM	4-10
15	HANDLE	SS304	SS304	1
16	LOCKING PLATE	SS304	SS304	1



DIMENSIONS

SIZE	A		B		D		E		F		G		H		K		T		M		N	P		S		L		H1		h	Y	Cv Factor	Weight		
	inch	mm	inch	mm	inch	mm	inch	mm	inch	mm	inch	mm	inch	mm	inch	mm	inch	mm	inch	mm		inch	mm	inch	mm	inch	mm	inch	mm				Kg	Lb	
1/2"	15	0.59	15.0	4.25	107.9	0.56	14.1	0.98	25.0	1.38	35.0	0.06	1.6	2.38	60.4	3.50	88.9	0.44	11.1	0.62	15.7	4	1.65	42	0.32	8	5.18	131.5	2.91	73.8	M5*P0.8	M14*P2.0	26	1.81	3.99
3/4"	20	0.79	20.0	4.62	117.3	0.59	15.1	0.98	25.0	1.69	42.9	0.06	1.6	2.75	69.8	3.88	98.5	0.44	11.1	0.62	15.7	4	1.65	42	0.32	8	5.18	131.5	2.94	74.8	M5*P0.8	M14*P2.0	55	2.10	4.63
1"	25	0.98	25.0	5.00	127.0	0.62	15.8	1.24	31.5	2.00	50.8	0.06	1.6	3.12	79.2	4.25	107.9	0.44	11.1	0.62	15.7	4	1.97	50	0.39	10	6.42	163.0	3.44	87.4	M6*P1.0	M16*P2.0	110	3.00	6.61
1 1/4"	32	1.26	32.0	5.50	139.7	0.62	15.8	1.24	31.5	2.50	63.5	0.06	1.6	3.50	88.9	4.62	117.3	0.50	12.7	0.62	15.7	4	1.97	50	0.39	10	6.42	163.0	3.63	92.2	M6*P1.0	M16*P2.0	180	4.50	9.91
1 1/2"	40	1.50	38.0	6.50	165.1	0.86	21.8	1.67	42.3	2.88	73.1	0.06	1.6	3.88	98.5	5.00	127.0	0.56	14.2	0.62	15.7	4	2.76	70	0.39	10	9.13	232.0	4.76	121.0	M8*P1.25	M16*P2.0	270	6.20	13.66
2"	50	1.97	50.0	7.00	177.8	0.86	21.8	1.67	42.3	3.62	91.9	0.06	1.6	4.75	120.6	6.00	152.4	0.62	15.7	0.75	19.0	4	2.76	70	0.39	10	9.13	232.0	5.08	129.0	M8*P1.25	M16*P2.0	500	9.00	19.82
2 1/2"	65	2.56	65.0	7.50	190.5	0.86	21.8	1.67	42.3	4.12	104.6	0.06	1.6	5.50	139.7	7.00	177.8	0.69	17.5	0.75	19.0	4	2.76	70	0.55	14	9.13	232.0	5.55	141.0	M8*P1.25	M22*P2.5	800	13.00	28.63
3"	80	3.15	80.0	8.00	203.2	1.10	28.0	2.21	56.3	5.00	127.0	0.06	1.6	6.00	152.4	7.50	190.5	0.75	19.0	0.75	19.0	4	4.02	102	0.55	14	12.87	327.0	6.52	165.7	M10*P1.5	M22*P2.5	1150	21.00	46.26
4"	100	3.94	100.0	9.00	228.6	1.10	28.0	2.21	56.3	6.19	157.2	0.06	1.6	7.50	190.5	9.00	228.6	0.94	23.8	0.75	19.0	8	4.02	102	0.55	14	12.87	327.0	7.11	180.7	M10*P1.5	M22*P2.5	2120	32.00	70.48
6"	150	5.91	150.0	15.50	393.7	1.48	37.7	2.65	67.3	8.50	215.9	0.06	1.6	9.50	241.3	11.00	279.4	1.00	25.4	0.88	22.3	8	4.92	125	0.79	20	42.20	1072.0	9.95	252.8	M12*P1.75	M30*P3.5	5100	75.00	165.20

PRESSURE TEMPERATURE RATINGS (PTFE SEATS)



PLEASE CONTACT US AT 1-866-VALTORC OR WWW.VALTORC.COM FOR VALVES IN ADDITIONAL SIZES AND CONFIGURATIONS

VALTORC® ALSO OFFERS:

- FULL PORT BRASS BALL VALVES
- 3-WAY BRASS BALL VALVES
- FULL PORT STAINLESS BALL VALVES
- 3-PC STAINLESS STEEL BALL VALVES
- SS SANITARY TRI-CLAMP BALL VALVES
- STAINLESS STEEL FLANGED VALVES
- PVC/CPVC BALL VALVES
- 3-WAY PVC BALL VALVES
- BUTTERFLY VALVES, WAFER & LUG STYLE
- TRIPLE OFFSET BUTTERFLY VALVES
- PNEUMATIC ACTUATORS
- ELECTRIC ACTUATORS
- LIMIT SWITCHES
- VALVE POSITIONERS
- GEAR OVERRIDES
- LOCKOUTS
- PILOT VALVES
- MOUNTING KITS
- I/P TRANSDUCERS
- POULTRY SCALDER PANEL
- SOLENOID VALVES
- INDUSTRIAL VALVES
- BALL VALVES
- BUTTERFLY VALVES
- KNIFE GATE VALVES
- PLUG VALVES
- SANITARY VALVES
- SAFETY RELIEF
- PVC VALVES
- V-PORT BALL VALVES

WHY CHOOSE VALTORC® FUSIBLE LINK VALVES?

- Safety Is Our Number One Concern
- FM Approved Links
- Valtorc Fusible Link Valves are API Fire Safe
- FNPT, Flanged, Socket Weld and Tri-Clamp Connections Available
- Industrial Grade Soldered links Available 165F – 286F
- Valves Can Be Used While Engaged (Manual Mode)
- Valve Designed To Shut In Case Of Fire



Valtorc® International is a major supplier in the industrial control and actuated valves market worldwide supplying ARRA compliant valves and many more products since 1980. We have a broad product line of standard control devices to meet even the most demanding customer requirements. Contact us today to learn more!



P.O. BOX 1928
KENNESAW, GA 30156

3105 CARTER CIRCLE
KENNESAW, GA 30144

CONTACT US TODAY!

Toll Free: **1-866-VALTORC**
Local: **770-423-7100**
Fax: **770-499-7483**

ORDER ONLINE @
WWW.VALTORC.COM
SALES@VALTORC.COM