

MASTERCLASS®
— KITCHENS —

H LINE

H LINE

Ultra Modern Handleless Kitchens



















Clean. Simple. Inspiring.

H LINE COLLECTION

H Line is an ultra minimal, clean lined and modern mix of gloss, textured and super smooth finishes, all blended together with a true handleless programme of furniture, allowing almost any taste in finish to be accommodated.

Combined with our exclusive and unique rail system, we have options of colour and finish that provides even more scope for perfection and individuality.

H Line offers you the freedom to create exclusive linear designs that are functional, yet ultra sleek and desirable. All base and tall cabinets are offered extra deep to maximise internal space and storage capacity. Our wall units allow you to store a full 12 inch dinner plate. In addition, we have removed the traditional centre post from our cabinets and replaced it with an aluminium profiled grip rail that combines to support the wall cabinet, whilst adding another aesthetically pleasing element to your design.



Features

1. Three choices of handle rail
2. Six different door options
3. Five different wall cabinet heights
4. Concealed handle rail on wall cabinets
5. Mirror panelling
6. Tall cabinets with vertical handle rail
7. 18 different base cabinet widths including our widest, deepest drawers up to 2 meters wide and 650mm deep (range dependent)

Ranges

- 1. Madoc
- 2. Sutton
- 3. Reno
- 4. Sierra
- 5. Lumina
- 6. Deco



1.



2.



3.



4.



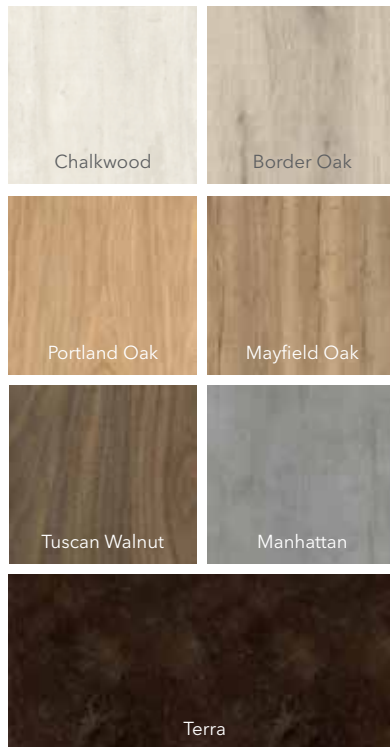
5.



MADOC

Whether you want a rustic or über modern finish to your handleless kitchen, Madoc can offer it all.

Choose from the warm rich tones of Mayfield Oak or the dark, sultry tones of Terra to completely personalise your kitchen scheme. Madoc oozes style and sophistication when it's used as an accent with the silky tones of Sutton or the super high gloss finish of Lumina.



LUMINA

Lumina is a super high gloss range that epitomises the modern, urban look with its highly reflective finish. It is available in 8 fabulous gloss colours which can be complimented by Mira Cosa.

A flat slab style door with a precise 1mm radius to the external edges and a matching flat slab drawer front. This door is available PUR edged in a matching solid or a contrasting 'Duo' Effect Glass Edge.



DECO

With its lifelike structured finish, Deco radiates class, luxury and style. Create your dream kitchen that reflects your character and taste.

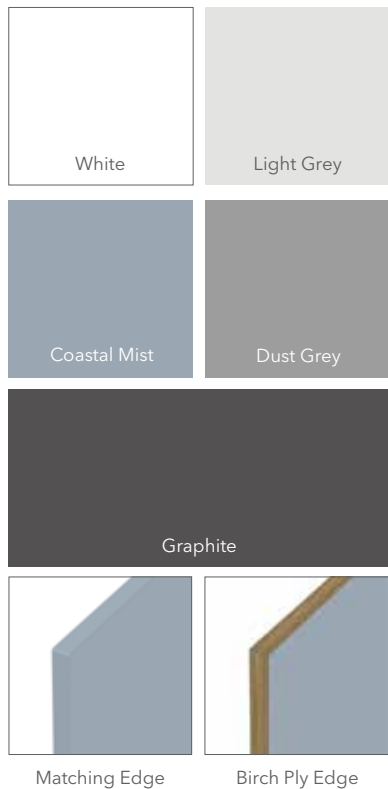
Deco works perfectly when mixed with the subtle silk finish of Sutton or the super high gloss finish of Lumina.



SUTTON

Sutton is a modern slab design that is cold pressed and foil faced. The door is cut and edged using our PUR 'zero glue line' system complete with 1mm soft radius edges.

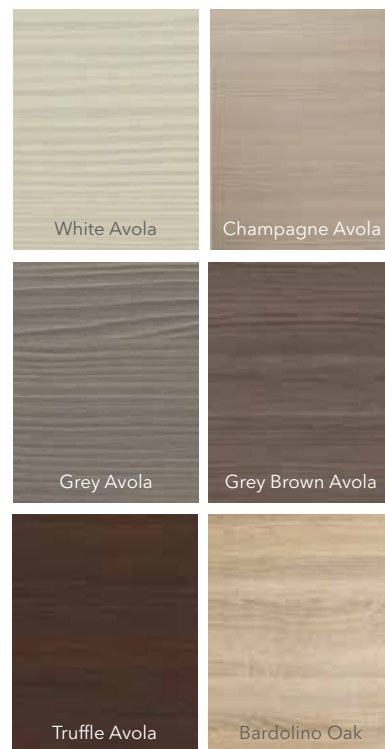
Choose one of the five brilliantly super smooth silk finishes to create your dream kitchen and living space. Combine your Silk colour with our 'Birch Ply Edge' and really make your kitchen stand out from the rest.



SIERRA

Sierra is available in a textured range of colours that add a modern twist to any kitchen design when mixed with other gloss or matt ranges.

Whether used on its own or in combination with another range, Sierra is a real winner.



RENO

Reno's smooth, contemporary matt finish makes this a very easy kitchen to live with. There are 8 earthy tones, 8 grained and 4 open grained finishes to choose from.

The tactile nature of our grained finishes gives the feel of painted real wood whilst offering fantastic value and a luxurious design. Reno grained is perfect for mixing and matching with other doors within the Masterclass range, so why not consult your designer to explore the possibilities.



CABINET COLOURS

Our 19 different cabinet colours give you the choice to have a matching or contrasting colour to the door front. Improve the aesthetics of your kitchen dramatically by mixing or contrasting your cabinet.



HANDLE RAIL OPTIONS

Our 3 different choices of handle rail give you the design flexibility to create the wow factor in your kitchen by complementing or contrasting it with your choice of door finish.



CABINET FEATURES

H Line Cabinet

Fully assembled, 18mm rigid cabinet for superior quality.



Blum 'Antaro' drawer box with glass sides, 500mm deep, supplied as standard.



Wall cabinets available in 5 heights from 322mm to 920mm.



Blum soft-close drawers and hinges, as standard. Guaranteed for life.



3 choices of handle rail.



Widest, Deepest Drawers available up to 2 meters wide and 650mm deep. (Range dependent)



Base cabinets available in 18 widths; 3 depths and 3 heights.



Floating cabinets available across all our ranges.



Double doored cabinets are supplied without a centre post for ease of access.





Minimal. Modern. Design.



Sutton Silk Light Grey with Deco Twilight





Deco Twilight with Mirror panelling detail







Creative. Bold. Individual.



Sutton Silk Dust Grey with Madoc Border Oak



Sutton Silk Dust Grey with Madoc Border Oak





Clean lines. Simple aesthetics.





Lumina White Gloss with Deco Tundra Stone and feature Portland Oak wine rack



Deco Tundra Stone with Lumina White Gloss



Deco Tundra Stone with feature Portland Oak wine rack



Madoc Terra with feature Portland Oak wine rack



Madoc Mayfield Oak



Precision. Passion. Perfection.





Sutton Silk Dust Grey with Madoc Chalkwood



Sutton Silk Dust Grey



Sutton Silk Dust Grey with feature coffee table and Madoc Chalkwood





Madoc Manhattan with Chalkwood



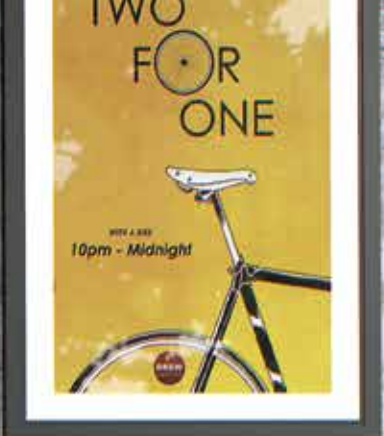
Sutton Silk Dust Grey



Sleek. Linear. Style.



Lumina White Gloss with Sierra Bardolino Oak





Lumina White Gloss with cutlery drawer



Lumina White Gloss



Lumina White Gloss with feature floating cabinets



Lumina White Gloss with Aluminium handle rail

Matt. Gloss. Textured.



Reno Heritage Grey with Smoked Oak





Reno Heritage Grey with Smoked Oak



Reno White with Stone Grey Grained



Reno Basalt Grained with Mussel Grained



Reno Basalt Grained with Mussel Grained



Sierra Truffle Avola featuring Blum 'Antaro' drawers with glass sides.

Reno White with Sierra Truffle Avola







Reno Stone Grey with Truffle Avola handle rail and Sierra Truffle Avola



Reno Stone Grey with Truffle Avola handle rail

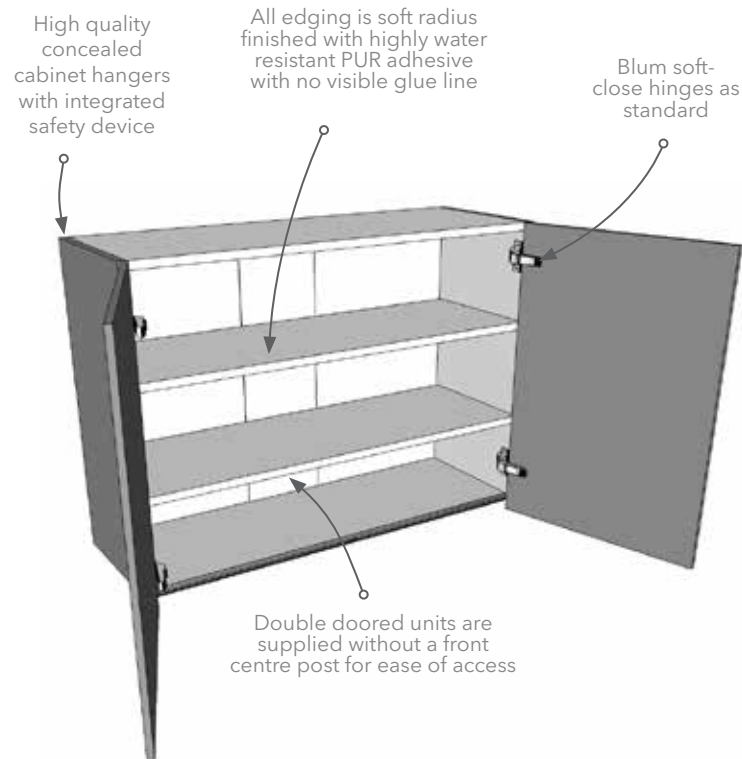
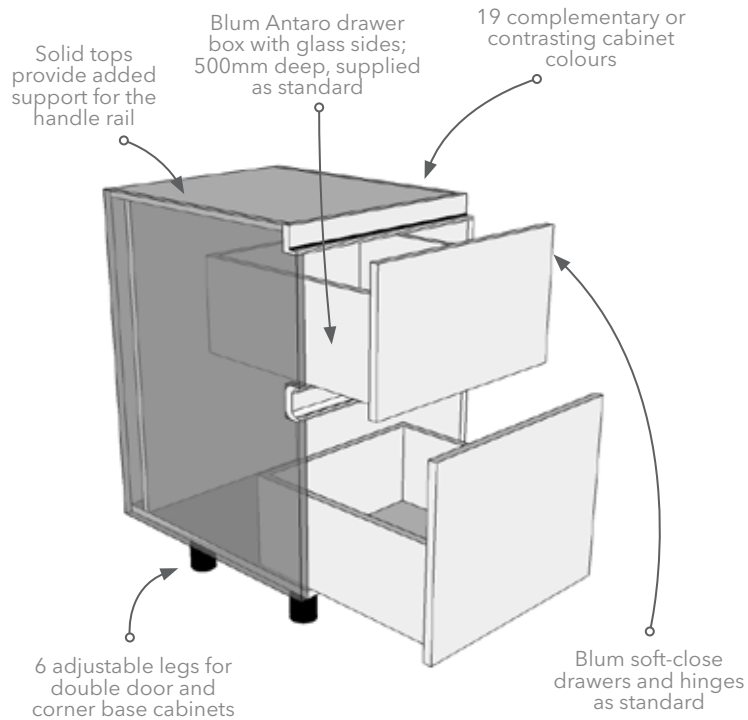


Reno Stone Grey with Sierra Truffle Avola



Cabinet Specifications

For more information, visit masterclasskitchens.co.uk



H Line Base Cabinet

- Fully assembled 18mm, rigid base cabinets for superior quality
- Full height, solid backs and tops for added rigidity
- Durable 1mm edge to all exposed edges
- Base units are 600mm deep (to allow for sinks & hobs) & 760mm deep as an option
- All edging is finished with a soft radius and highly water resistant PUR adhesive with no visible glue line
- All fittings are secured using Euro bolt fittings - stronger and more accurate than screws
- 48mm service void



H Line Wall Cabinet

- Fully assembled 18mm, rigid wall cabinets for superior quality
- Durable 1mm edge to all exposed edges
- 19 complementary or contrasting cabinet colours
- Wall cabinets are 340mm deep with an aluminium strip in the cabinet base panel for extra support
- Adjustable shelves
- 5 heights to choose from
- 18mm service void



Please remember that whilst every care is taken to accurately represent the colours in this brochure, as a result of variables in the photographic and printing processes, they may vary from the actual product. The best way to make your final decision on colour and finish is to visit your local retailer who can provide actual samples. Also, as wood is a natural material, the colour, pattern of the grain and the finish may vary. E&OE.

FAQ

Can I buy directly from Masterclass Kitchens?

We manufacture our kitchen furniture and only supply via a network of approved and appointed kitchen specialists who possess the knowledge and skills needed to ensure you get the very best from your new Masterclass kitchen. They will be able to show you displays, samples and colour swatches of our products and design and install a kitchen to suit your budget.

Where can I find a Masterclass Kitchens retailer?

The first step of your journey to purchasing your Masterclass kitchen is to visit one of our approved premier partner kitchen specialists. With new retailers opening up across the UK, your Masterclass retailer should never be too far away.

You can find their details at: masterclasskitchens.co.uk/retailers

What is the Masterclass Kitchens warranty?

All Masterclass kitchens carry a warranty to provide you with complete peace of mind.

The cabinets carry a 10 year warranty, there is a lifetime warranty on hinges and drawers, while the frontages, decor panels and wirework carry a 3 year warranty. Conditions apply, please ask your local retailer for our terms and conditions.

How can I contact Masterclass Kitchens?

If you have a query and want to contact us, please email: enquiries@masterclasskitchens.co.uk.

Visit our website to explore our range of kitchens, all things Masterclass and find your local retailer at masterclasskitchens.co.uk.

