

PR 250 Baling Press

Call 0845 366 9306

Take control and convert your dry recyclable packing waste into manageable bales. Recyclers and industrial users of a vertical baler benefit from waste volume reduction; storage, handling and transportation savings; avoidance of ever-increasing landfill charges; the satisfaction of environmental benefits and even possibly the generation of additional revenue yield.

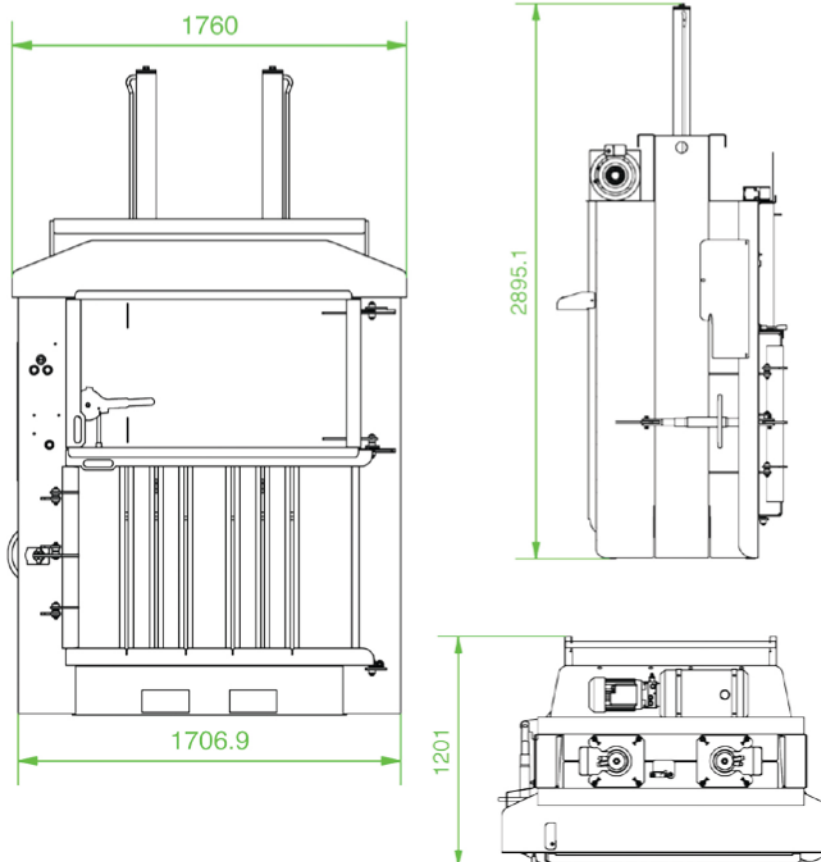
PR 250 Baling Press

- ✓ 12 month warranty
- ✓ 1200mm wide feed aperture
- ✓ Can be sited outside
- ✓ Suitable for volume reduction of cardboard and plastic
- ✓ Available in 16 amp single phase, 3 phase or 110V
- ✓ 15 Tonne press force
- ✓ 4 Polyester bale tying for a secure bale
- ✓ Automatic bale ejection
- ✓ Bale weights up to 250kg
- ✓ CE approved
- ✓ Fitted retaining claws to prevent material spring back
- ✓ Powder coated finish for durability



PR250 Baling Press

TECHNICAL SPECIFICATIONS



Press Force	16 Tonnes
Loading Aperture (H x W x D)	678 x 1200 x 800mm
Bale Weight	up to 250 Kg
Bale Dimensions (H x W x D)	1000 x 1200 x 800mm
Cycle Time	34 seconds
Noise	74 decibels
Machine weight	985 Kg
Power Supply (kW-V-Hz)	16amp 2.2kW-230V-50Hz
Overall Dimensions (H x W x D)	2900 x 1707 x 1200mm
Optional Transportation Height	2250mm



Operating Voltage – 220 - 240v.

Frequency – 50hz.

Connector plug fitted – 16amp single phase, three pin plug.

MCB (Minature circuit breaker) if fitted – Cat C or above.