

INSTALLATION INSTRUCTIONS

Summerhouse24 log cabins with 28-92 mm wall planks



Table of Contents

1	Assembling the Product	3
2	Building Walls, installing doors and windows	6
3	Installing upright posts for cabins with canopies	8
4	Installing storm and wind braces for 40-92 mm cabins	9
5	Installing Apex Roof.....	Error! Bookmark not defined.
6	How to install flat roofs with parapets.....	12
7	Installing Terrace Boards	13
8	Installing floor boards.....	14
9	Installing storm and wind braces for 28 mm cabins	14
10	Summerhouse24 GmbH Warranty Requirements	15

Please be sure to carefully read the following instructions in full **before** you start assembling the product. This will help prevent any errors or damage during the assembly and will hopefully speed it up so you can enjoy your cabin sooner!

If you do not have any experience with assembly or construction work, then Summerhouse24 would strongly recommend that you consult a professional carpenter, builder or DIY expert locally to you or use the professional Summerhouse24 assembly team. Installation errors may lead to an expensive repair, lost time while awaiting replacement parts and to a voided 5-year Summerhouse24 warranty.

PLEASE NOTE: Please consult the “Specification List“ and “Wall Planners“ to ensure that you have received a complete and undamaged product. The “Specification List“ will provide you with the quantity and measurements of all the components.

Please do not discard the packing slip on the cabin package until the warranty has expired or write down the number on it. This number is unique to your cabin and all factory records are linked to it. This packing slip number is required in the event a claim or warranty issue arises.

All measurements in the assembly instructions are specified in millimeters (mm). We reserve the right to implement technological developments, which may result in slight deviations and differences to the pictures. You must file a claim about any damaged or defective parts before assembling the product or the warranty will be void.

Your Summerhouse24 product is constructed from a “purely natural“ product – wood. This means the structure is “alive“ so to speak, meaning that some shifting of the planks or small cracks and knots in the wood may appear and can never be entirely

excluded or avoided. The varying grain is typical for Nordic spruces. The occasional rough edge and plane marks on the back of roof boards or floor boards, respectively, are due to production processes and do not represent quality and production-related defects.

Our woods are sourced from sustainable, environmentally friendly forests and have not been chemically treated (except for the impregnated foundation planks), which is why the wood may turn gray over time. This may be avoided by painting the wood surface with wood preservative, paint or another finishing coat. The wall planks do not have to be painted before assembling the house and it is best to do so once the assembly has been completed and in dry weather. If you wish to paint the individual components with different colors, you should do so before assembling the house. It is also recommended to impregnate the underside of the floor planks before starting the assembly.

Please note that good ventilation and the prevention of moisture accumulation are the best protection against your garden building developing any rot.

Beware! Protect the wood before and after assembly against prolonged sun or moisture exposure as this may lead to the boards becoming warped. Once assembly has been completed, the house should be treated with a protective wood finish as quickly as possible.

1 Assembling the product

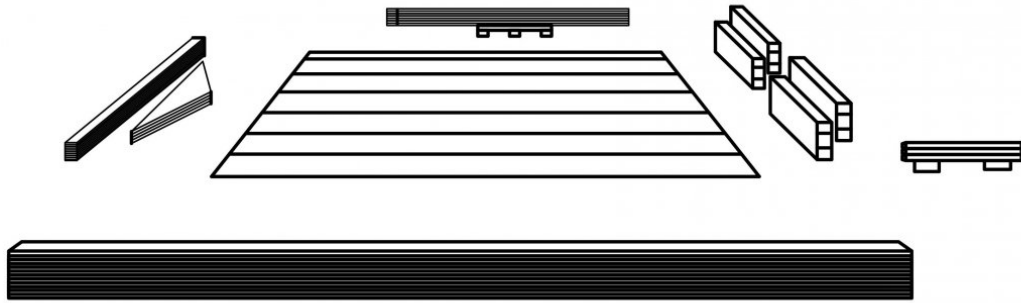
A good foundation is of the utmost importance for the safety and durability of your garden house. Only a level, uniform, and stable foundation guarantees the perfect assembly of the planks and the stability and correct fitting and operation of doors and windows. Summerhouse24 will support you in the planning of the appropriate foundation taking the characteristics of your ground substrate as well as your wishes in to consideration. More common bases for medium and large garden buildings are a) paving slabs layed on top of gravel and sand, b) concrete slab, c) adjustable riser pedestal or breeze blocks on the gravel and d) concrete point or strip foundation. Adjustable riser pedestal or breeze blocks on the gravel type of base are the most cost effective and easiest to do.

If your garden building requires a solid concrete base, point foundation or equivalent then we would encourage you to also consult with your local home improvement company, unless you are confident you can lay the base yourself.

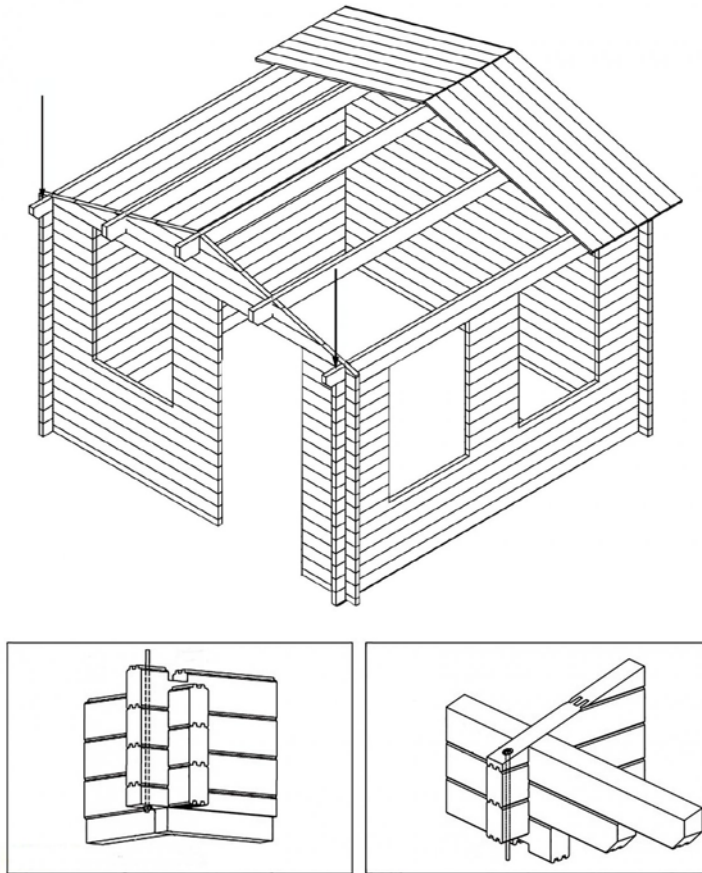
You will need the following tools: handsaw, screw driver, rubber mallet, hammer, level, tape measure, drill, knife, a pair of pliers, and a ladder.

Open the package on the day of installion. Please do not be confused by the number of wood components. If you pre-sort them using the plans and inventory list that are included in the log cabin kit, the assembly is conceivably simple! Before you start assembling the product, please check the content of the box and compare it to the "Specification List". The

sketch will provide you with an overview of the entire assembly. It is vital that you pay attention to the numbers of the individual components during the pre-sorting before you start assembly.



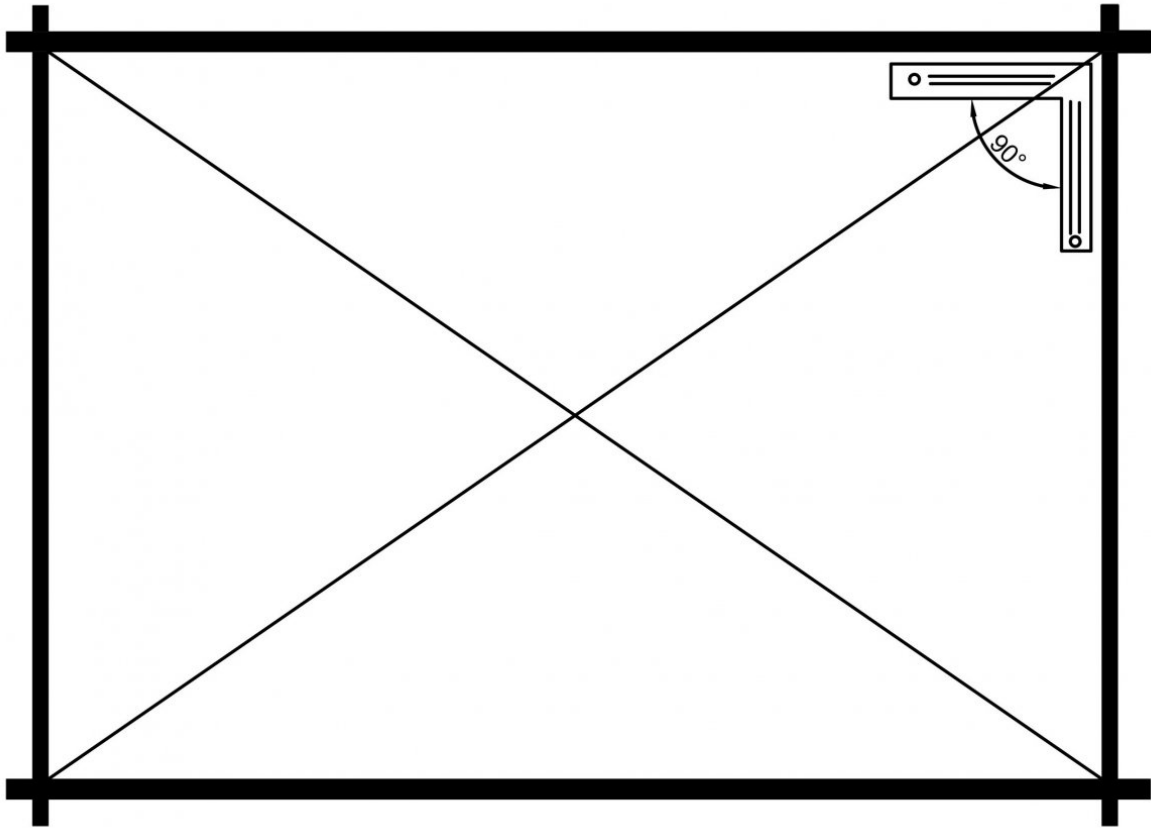
Some houses with walls thicker than 40mm will require you to install threaded rods in the pre-drilled holes for storm protection. This is so you can insert the rod through all the holes when the wall has been built up. Just one wrongly orientated plank will mean you are unable to insert the storm rods throughout the entire wall. Except for the pre-drilled holes, the ends of the planks are identical, so that is why you have to pay attention to where the holes are! This is easy if you follow the “Wall Planners“.



Place the impregnated foundation planks on top of the foundation according to the sketches that are included. The moisture barrier (i.e. roofing felt or similar) that is placed between the foundation and the foundation planks will protect your garden house from moisture and rotting. The arrangement of the foundation planks will provide you with the exact measurement for mounting the wall elements. The foundation planks may vary depending on the different models. Follow the enclosed foundation plan.

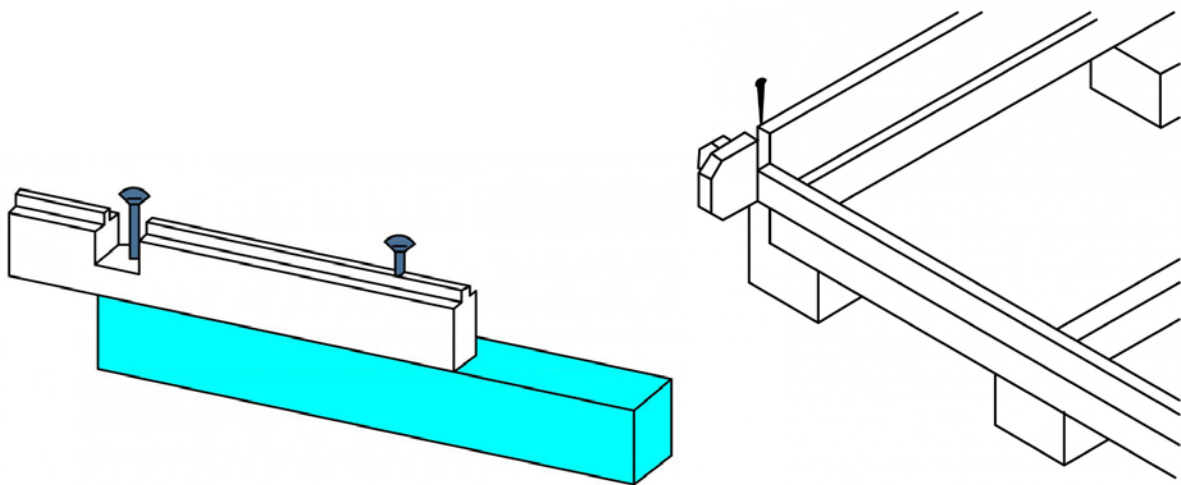
First screw together outer planks. Measure it up and make sure its size corresponds to the cabin plan and compare diagonals, they must be even. Screw together outer planks and then the entire foundation frame. The foundation frame must be levelled and well balanced.

Successful further assembly only goes well if the base and foundation planks are installed level and correctly. If you are using a concrete base, it should not have a fall for drainage as the gradient is significantly amplified by the time you have assembled all the wall planks.



2 Building walls, installing doors and windows

Once you put together the entire foundation frame structure, attach the first layer of wall planks to foundation frame by using the long screws which are in your cabin kit.



Remaining wall planks are laid accordingly to your cabin plans without using screws. Some wall parts of larger cabins are additionally supported by metal rods inserted into predrilled holes. See wall planners.

If necessary, please use a rubber mallet or a wooden tile during the entire assembly process to manipulate components gently in to position. **Ensure you never hit tongue or groove ends with a metal hammer.**

After attaching the sixth plank, compare diagonals, they must be even.

Build the walls accordingly to the “wall planner“, one plank layer higher each time and insert the window at the height indicated in the “wall planners“. In most models, the window laths are included in separate parts. Attach four outer and inner lath parts with screws and insert the window in place when the hole for the window is half of its final height.

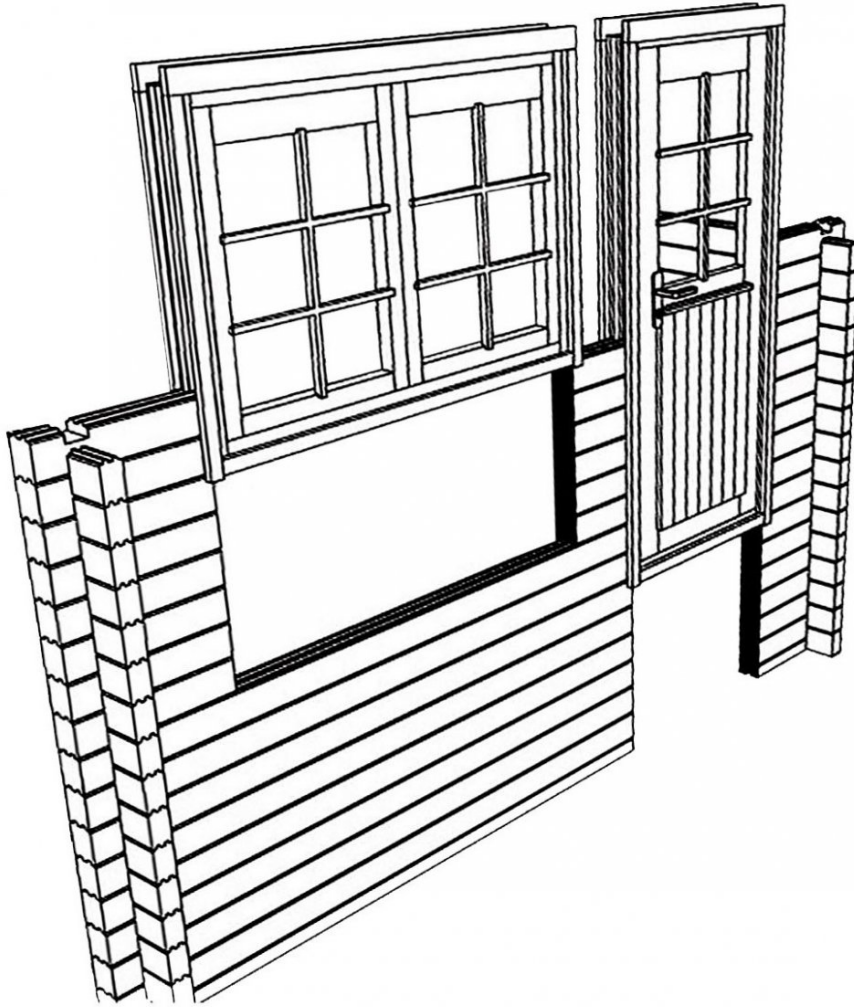
The windows can also be inserted at a later stage, when the walls and roof have been finished. By doing so first screw the outer laths in place and insert the window and then screw 4 laths to windows from the inside. Window laths must be screwed to windows, and never to wall planks.

Window holes are always a few cm’s wider and higher than the windows. This is important to avoid any pressure on the windows during the first year while the walls settle.

Summerhouse24 offers different window types. Please refer to the detailed window information in the “Specification List“.

Doors are installed similar to windows, apart from windows they have three laths: 1 upper lath and two side laths without the lower lath. Frames for double doors come in 4 parts, these must be screwed together and then attach laths, install door frames to cabin, fix with laths and hand the doors to hinges.

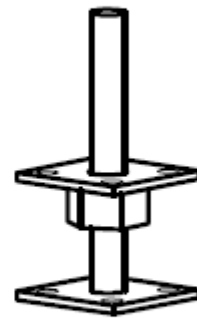
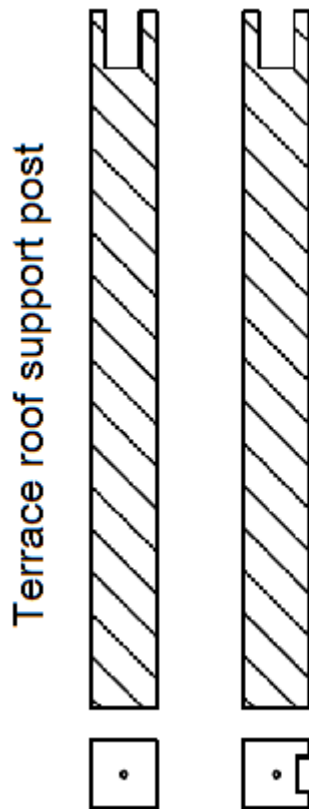
We recommend to install doors after you have built up the walls, installed the roof and just before you lay down the floor boards. Please refer to the detailed “Specification List“ as well.



The wood will settle a several months after assembly has been completed. Doors and windows should be adjusted to eliminate any rubbing or sticking if necessary.

3 Installing upright posts for cabins with canopies

Many of Summerhouse24 cabins with large canopies have supporting post (s). Supporting posts may be cut to length and installed accordingly to your cabin's plan. If necessary, cut the post to leave a 5cm distance to foundations planks for installing adjustable metal stands. Insert metal stands into predrilled holes in the bottom of the post. Stands must be screwed to foundation planks.



Stand for terrace support post

4 Installing storm and wind braces for 40-92mm cabins

Some houses with walls thicker than 40mm will require you to install threaded rods in the pre-drilled holes accordingly to wall planners. These threaded metal rods may come in 2-3 parts. Screw pieces together and install accordingly to the “wall planners“. Storm braces must be fastened with nuts. This should be done using your fingers, ensuring you don't fasten them too tight. This will avoid pressure and strains on your cabin while it settles during the first year after assembly. Cut off excessive ends.

Wooden storm braces must be installed in the final stage of the assembly. These instructions will follow in the last stage of this assembly guide.



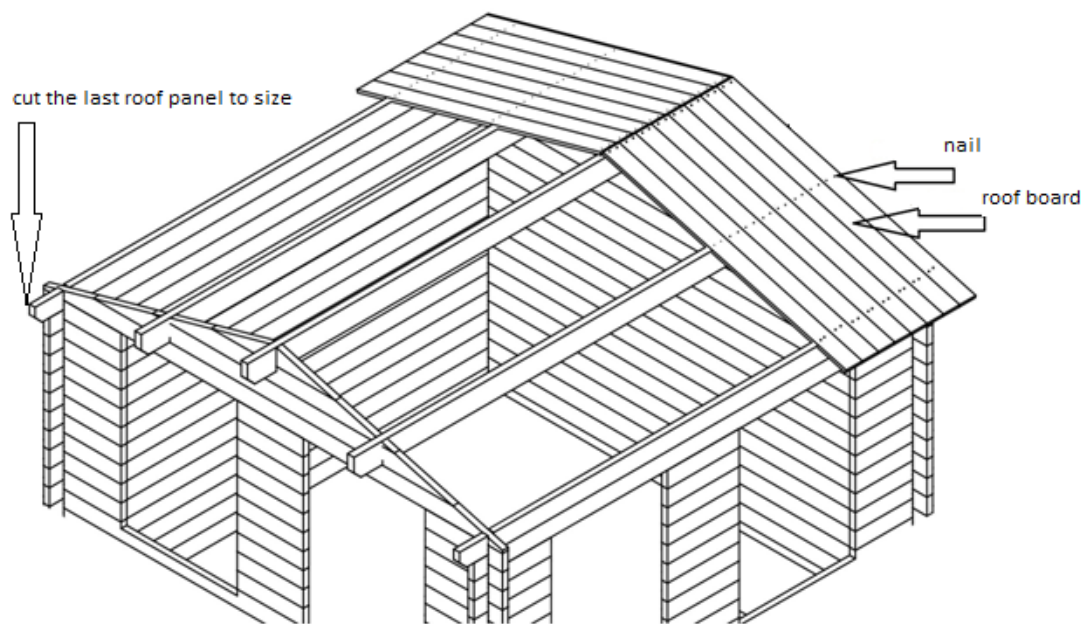
5 Apex Roof Installation

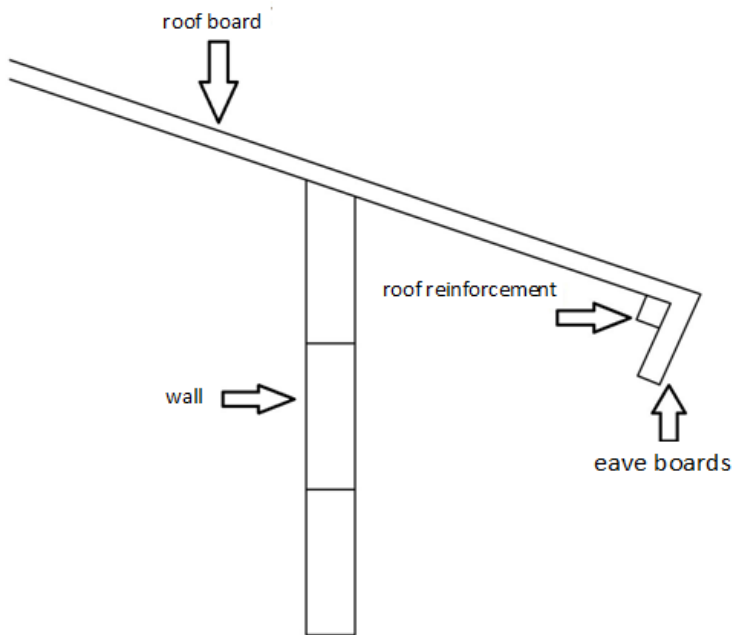
Once all walls have been assembled, it is time to install the gable elements if you are assembling a cabin with an apex roof and then place the roof joists. If you are assembling a cabin with a flat or pent roof, please move to the next section “How to install flat roofs with parapets for Summerhouse24 log cabins”.

Now install the roof joists and push them properly into the cuttings in the gable ends. If necessary tap with rubber mallet.

Place the first roof board evenly with the ends of the roof joists on the side of the cabin. You can start from the left of the cabin, working towards to the right side or vice versa, whichever is more convenient for you. Using a thread or lace can help you to install edges of the eaves entirely parallel.

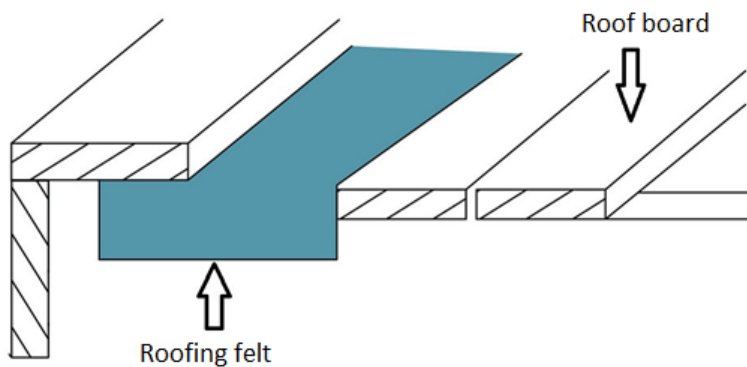
All roof boards must be mounted to the roof joists with nails, using two nails per board into each roof joist. The last roof board will have to be adjusted according to the overhang.





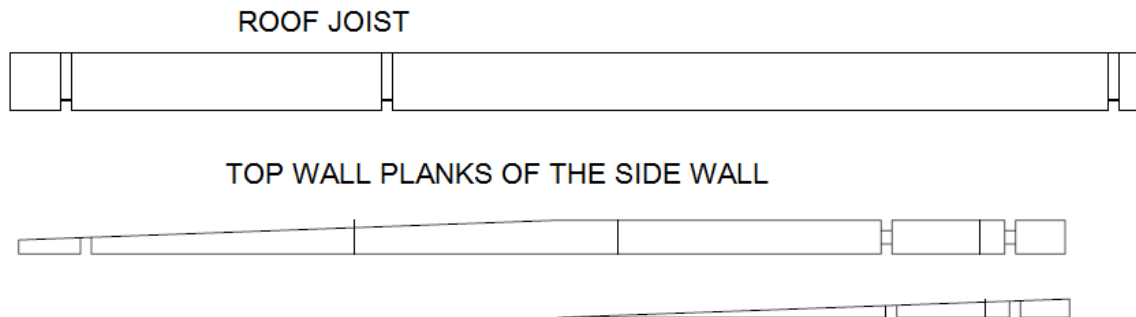
Mount the eave boards making sure that they coincide with the upper edges of the roof. Screw the eave reinforcement to the eaves. Finally, lay roofing felt and/or shingles on top of the roof. Please make sure that the roofing felt hangs over the edges of the eaves by approximately 2cm in order to guarantee protection from rain.

Afterwards, mount the gable boards and cover strips to the roof by using screws.



6 How to install flat roofs with parapets (pelmets)

Build up the walls and install roofing joists. Upper row planks can be easily identified as they have cuttings in the upper edge for installing roof joists. Install the roof joists and push them properly in to the cuttings. If necessary tap with rubber mallet.



Roof boards are 7-10cm shorter than the top wall planks of the side wall. Place the roof boards evenly with the ends of side wall planks in front of the cabin (higher end of the roof) and it will result in a 7-10cm distance between the ends of wall planks in the back side of the cabin (lower end of the roof) and the parapet that you will install later. This 7-10cm distance between the end of the roof and parapet is required for letting the rain water run down freely and thus keeping the back side of the cabin dry and moisture free.

Using a thread or lace on the higher end of the roof can help you to install edges of the roof boards entirely parallel.

Place the first roof board evenly with the ends of the roof joists on the side of the cabin. You can start from the left of the cabin, working towards to the right side or vice versa, whichever is more convenient for you. The last roof board to be installed will have to be adjusted according to the overhang.

We are using two different types of parapets: A type) 250mm high parapets and B type) 350mm high parapets.

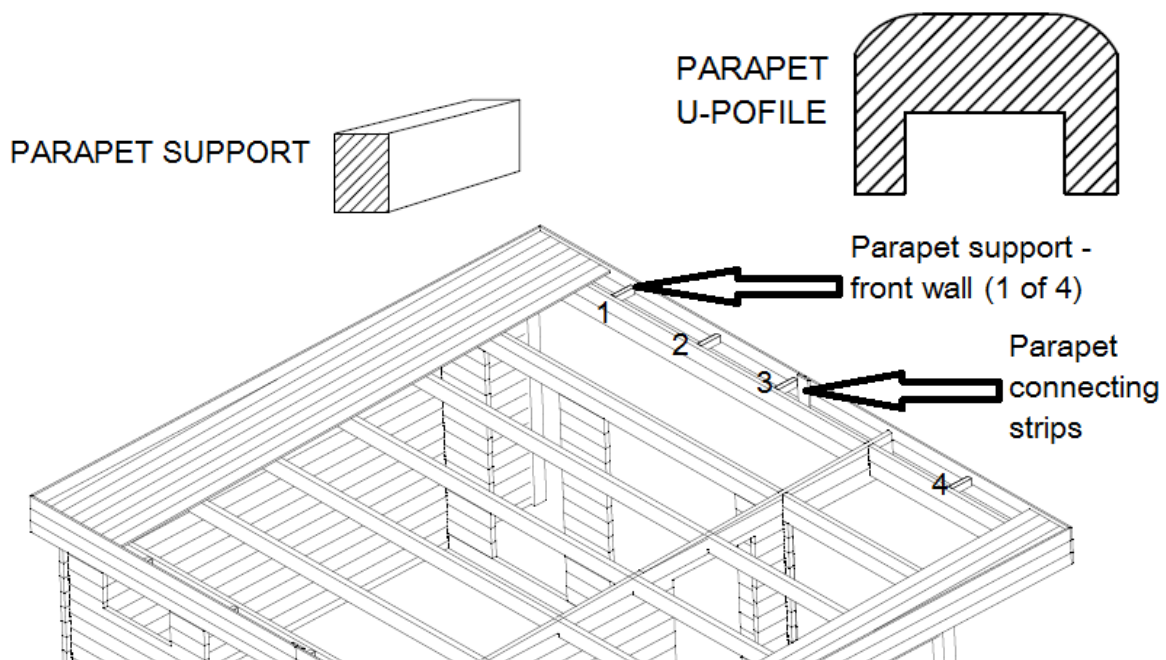
Some parapets have vertical strips on the back side. Before installing the front wall parapet you must cut sockets into roof boards for strips to go in. This will allow you to install the parapet tightly to the roof in the higher end of the cabin.

Parapets must be screwed to the ends of roof joists on the side walls and to the ends of the top wall planks in the front and back side of the cabin. Front and backside parapets must be additionally fixed and screwed to walls by using parapet supports. This is what makes parapets sturdy and stable.

Parapets for larger cabins may consist of 2 or 3 pieces. Use parapet connecting strips to screw them together.

Install front wall (higher end) parapets first, then sides and then the back wall.

Height of the parapet location is not fixed exactly. Our general advice is to lift the front wall parapet 5cm over the roofing boards, that is enough to install roofing felt later and place the parapet U-profiles on top of the parapet.



Now that you have installed parapets, it is time to lay the roofing felt. Start from the lower part of the roof. Lay the first row with 2-3cm overhanging the back side of the roof to protect roofing boards from moisture. Roofing felt must also cover inner sides of side wall parapets and leave 1cm extra to cut them later when you have installed the entire roofing felt. Each further row must overlap the previous row by a minimum of 10cm to avoid moisture getting under the felt.

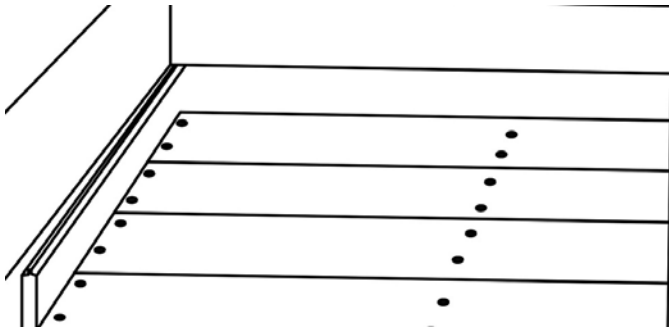
When roofing felt has been laid, install U-profiles on the parapets by using screws. U-profiles must be cut into length and ends to 45 degrees for 4 corners of the cabin.

7 Installing terrace boards

Terrace boards must be nailed or screwed to the foundation planks. 2 nails (or screws) per board in to each foundation plank. Terrace boards must be installed by leaving 3-5mm distance between the boards. All Summerhouse24 log cabins with terrace decking come with impregnated boards.

8 Installing floor boards

The floor is laid down last in order to avoid damage to the floor boards. It is recommended to first treat the floor boards from beneath with a suitable wood preserver. Floor boards can be installed from left to right or vice versa. Use 2 nails per board into each foundation plank. The few mm difference in the ends of floor board will not be seen after you install the skirting laths in the next stage. Some floor boards and the last floor board to be installed will have to be adjusted.



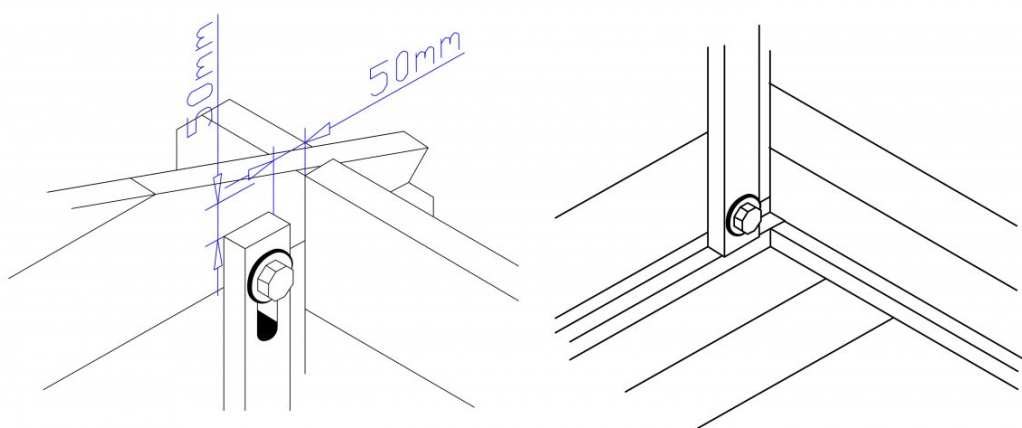
Now it is time to mount the skirting laths with nails at a distance of between 40 and 50 cm.

9 Installing storm and wind braces for 28 mm cabins

Finally attach storm flaps accordingly to your cabin plan, keeping them approximately 5 cm beneath the roof boards and 5 cm from the exterior wall.

Press the lower part of the storm flap against the skirting lath. Mark the upper and the lower hole and drill holes through the plank with either a wood or metal drill using a 6mm or 8mm drill bit.

Mount the flap with the enclosed lock screws. Screw them in by hand only because the house may suffer damage if they are screwed in too tight.



By now your cabin has been installed. We hope that you were able to assemble the house without any problems and that you are happy with the result.

10 Summerhouse24 warranty requirements

We guarantee the functionality of our products for a period of five years (after delivery) under the following conditions. This warranty only covers the wooden parts of our products but not associated components or parts that are made from materials other than wood, either partially or completely. Within this warranty period, defective or missing product parts or the product itself, respectively, will be exchanged at our discretion. The warranty solely covers the exchange and delivery of the respective faulty or defective wooden products, free of charge. The warranty will not cover any follow-up, installation, consequential damage, additional costs or refund.

The warranty is void in the following cases:

- if the assembly instructions were not followed;
- if changes were made to the product (additions or modifications) that deviated from the assembly instructions;
- if the load limits have been exceeded
- if the product was assembled on an incorrect foundation or floor plate, etc. especially if the general rules of statics and architecture were disregarded;
- if the wood was not sufficiently cared for (i.e. if the wood was not conserved or treated);
- if winds above Gale Force 7 or natural disasters occur or in extreme cases of product misuse;
- **if defects occur that are typical for wood such as changes in color or discolorations, respectively, the appearance of cracks, warping, shrinking, swelling and similar events. (This is normal for “wood“ material).**

Claims must be filed by email within the warranty period. Claim must include packing slip number or order ID. Another prerequisite for a warranty claim is to immediately notify us of the defect or damage by either supplying us with pictures and describing it in writing.

Please address any warranty claims to info@summerhouse24.co.uk

Summerhouse24
Hansa Garden Ltd
Tel: 020 3807 0369
info@summerhouse24.co.uk