



Pneumatic Siren

Audible Warning During Power Failure

The pneumatic siren is used in systems where audible warning is critical, even in the event of a power failure, to warn personnel of a fire system discharge. Siren operates from the discharge pressure of the carbon dioxide and upon discharge this pressure spins the turbine wheel inside the housing creating sound throughout most of the duration of the discharge. If the siren is connected directly to discharge piping the connection shall be from the top of the pipe, or if connected to a pneumatic time delay cabinet refer to the pneumatic time delay cabinet data sheet for connection details.

GENERAL SPECIFICATIONS

Decibel Rating: 90 dBa @ 10' (3.05 m)

CO₂ Consumption: 12 lbs/min (5.5 kg/min)

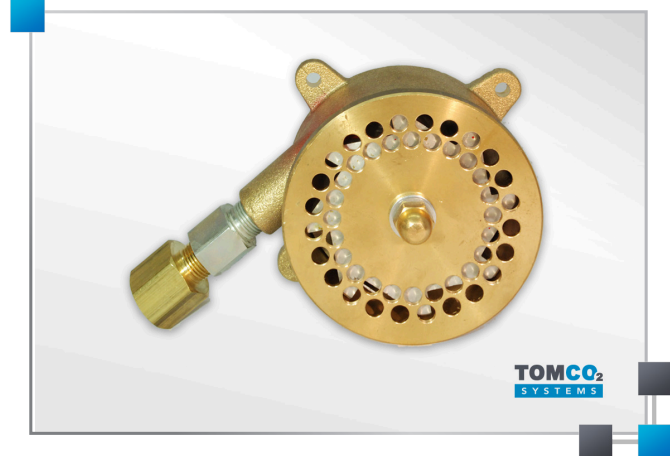
Material:

Housing: Brass
Wheel: Stainless Steel

Approval: FM Approved

Country of Origin: Assembled in U.S.A.

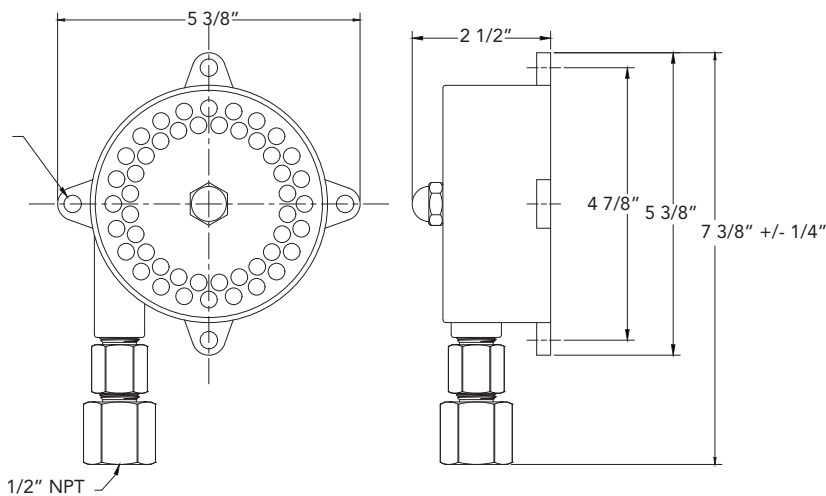
Applications: Low Pressure and High Pressure CO₂ Fire Suppression Systems



FEATURES

- Pneumatic siren operated by CO₂ pressure from fire system discharge
- 1/2" NPT connection
- Operates at minimum decibel level of 90 dBA

DIMENSIONS



ORDER INFORMATION

P/N	Description	Dimensions W x H x D	Weight	COO
990979	Pneumatic Siren	5 3/8" x 7 3/8" x 2 1/2" (13.65 cm x 18.73 cm x 6.35 cm)	4.5 lbs 2.04 kg	Assembled in U.S.A.

