

INSTALLATION AND SERVICING INSTRUCTIONS & USER INSTRUCTIONS FOR THE STRAXGAS AURA GAS STOVE

(To be left with the appliance)

Page 1-8 – Installation & Servicing Instructions

Page 9-10 – User Instructions

Appliance data:

Type of gas	: Natural gas (G20) Cat. I _{2H}	Propane gas (G31) Cat. I _{3P}
Injector size	: 3 x 1.0 multihole	3 x 0.62 multihole
Injector marking	: 100	62
Gross heat input (high setting)	: 5.2kW	5.0kW
Gross heat input (low setting)	: 3.5kW	3.3kW
Supply pressure	: 20mbar	37mbar
Appliance test point pressure (cold)	: 20.0mbar (± 1.0mbar)	37mbar
Type of flue	: min.: 100mm diameter fluepipe	
Minimum effective height of chimney	: 3m	3m
Max horizontal run	: 500mm	
Ignition	: Piezo	Piezo
Spark gap	: 3.0mm min., 4.5mm max.	3.0mm min., 4.5mm max.
Dimensions:		
Width	: 418mm	
Height	: 572mm	
Depth	: 354mm	
Shipping weight	: 52kg	
Country of destination	: GB & IE	

NOTE: The Natural Gas and Propane Gas versions of this appliance are different models and cannot be converted from one gas to another.

This appliance has been assessed by a Government appointed Notified Body and shown to meet the 'Essential Requirements' of the European Gas Appliance Directive.

The Directive lays down requirements for the safety of the appliance, together with its design, construction, and use of materials. It also requires the production process to be covered by an approved and monitored system of quality assurance.

Mandatory requirements

Straxgas products must be installed with due regard to the following mandatory regulations:

The relevant British Standard installation specifications and codes of practice, and Building Regulations issued by the Department of the Environment, and Building Standards (Scotland) Consolidated Regulations issued by the Scottish Development Board.

Gas Safety (Installation and Use) Regulations.

Failure to install this appliance correctly could lead to prosecution and render the guarantee invalid.

Attention is drawn to the latest editions of the following standards:

BS5440, Part 1, Specification for installation of flues.

BS5440, Part 2, Specification for installation of ventilation for gas appliances.

BS5482, Part 2, LPG, installations in permanent dwellings.

BS5871, Part 1, Installation of Gas fires, convector heaters, fire/back boilers and heating Stoves.

BS6891, Specification of low pressure gas pipework.

BS8303, Replacing CP403.

IS813, National Standards Authority of Ireland, Domestic Gas Installations.

This Straxgas appliance must only be installed by a competent person (e.g. a C.O.R.G.I. member) in accordance with these installation instructions. This appliance must be installed in accordance with the rules in force, and used only in a sufficiently ventilated space. Consult these instructions before installation and use of this appliance.

GB Additional purpose made air ventilation is not normally required.

IE & Northern Ireland Ventilation must be provided in accordance with the rules in force.

Important Information

Ensure that:

- This stove is not used with any solid fuel; it is only suitable for natural gas or liquefied petroleum gas (LPG, propane) according to the burner unit supplied.
- Rubbish is not burnt on this appliance.
- The local distribution conditions (identification of the type of gas and pressure) and the adjustment of the appliance are compatible. Refer to the data badge plate.
- The data badge plate corresponds with the type of gas which is to be used i.e. natural gas or LPG (propane).
- The site of the stove i.e. the chimney, the flue and hearth etc., complies with current Building regulations and Codes of Practice before the stove is installed.
- The stove is not used with the door open or the glass cracked or missing.
- The door and glass seals are correctly positioned.

Note: The appliance Data Badge is on a swing down holder positioned behind the lower front face of the stove.

Safety Reminders

- Straxgas stoves are efficient appliances giving off convected, conducted and radiated heat. All the surfaces of the stove including the door handle (except the gas control knob) are working surfaces and become hot in use. They must not be touched nor have any combustible objects or material placed on or near them. Adequate precautions should always be taken to protect children, the elderly, the infirm and pets, etc. from coming into contact with the stove.
- Keep all plastic bags away from young children.

Preparation

All types of flue

Ensure that:

- It only serves one fireplace
- Any terminal or cowl fitted is approved for use with this type of appliance.
- It is clear of any obstruction and any damper or restrictor is removed or fixed permanently in the fully open position.
- Any chimney used for an appliance burning a fuel other than gas must be thoroughly swept before installing any gas appliances.
- With an L.P.G. (propane) appliance, any air supply to the stove below floor level is completely sealed off.
- The chimney is properly sealed so that the combustion products do not come into contact with combustible materials outside the chimney.
- The base of the chimney is clear of loose debris, bricking up, etc.

Check with a smoke match that there is a positive updraught present. If a terminal is fitted check that it is free from obstruction and does not restrict the exit and safe dispersal of combustion products.

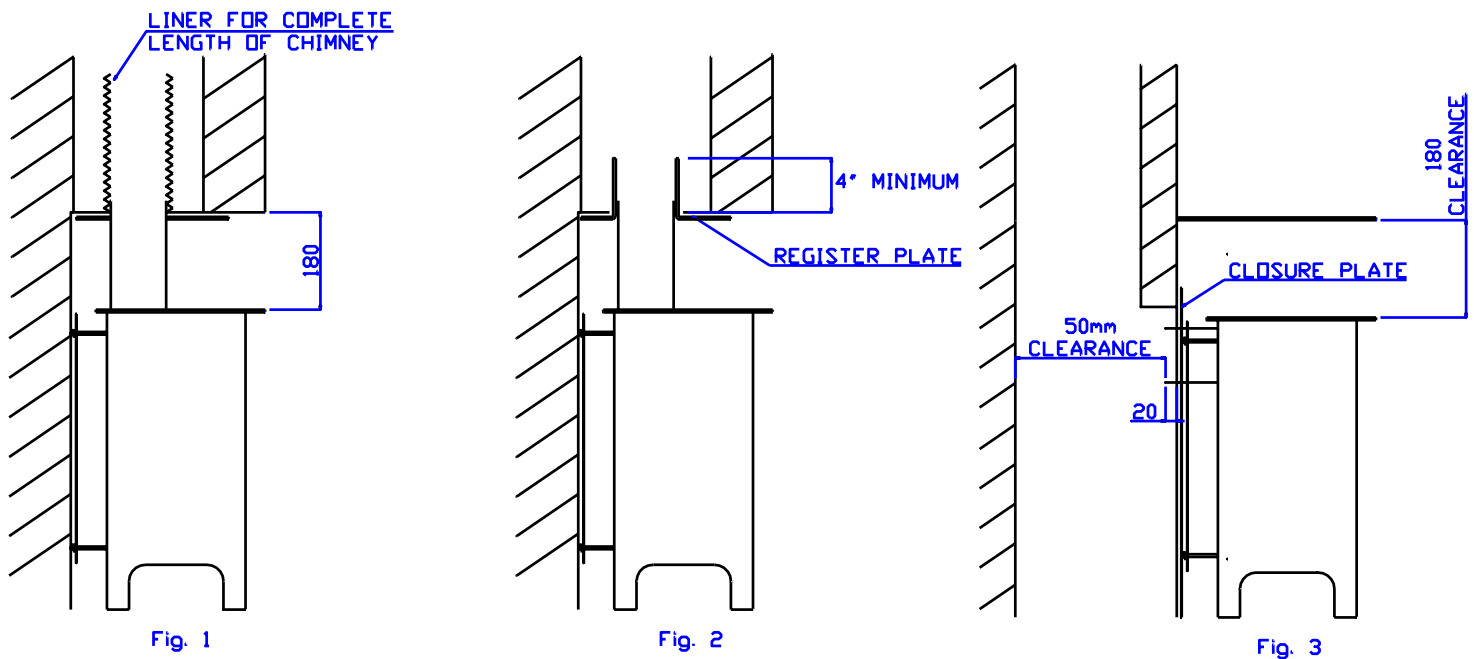
Location

The Straxgas stove may be installed with any one of the following:

1. A masonry chimney of minimum cross sectional area of 24,000 sq.mm, or a minimum flue diameter of 125mm, or providing
 - a) When the top outlet is used, the chimney must be lined with a 100mm diameter liner (Fig. 1) or a register plate (as shown in Fig. 2).
 - b) When the back outlet is used, it must be with a closure plate and no liner is required (Fig. 3).

Note: A masonry chimney in poor condition should always be lined.
2. A pre-cast flue block conforming to the requirements of BS1289 with a minimum cross-sectional area of 12,000 sq. mm and a minimum dimension of 63mm. Only the back outlet may be used with a suitable closure plate (Fig. 3).
3. An insulated twin walled flue system of minimum diameter 100mm. The system must conform to the constructional requirements of BS715.

This appliance must stand on a level non-combustible hearth of 12mm minimum



Clearances

This stove is not suitable for installation against a combustible wall.

The heat shield fitted to this stove must not be removed as it determines the correct spacing from the rear wall. Minimum side clearances to combustible materials must be 150mm and directly above the stove 180mm.

Side clearances on non-combustible materials must be adequate to allow the spillage test to be performed. Refer to page 5.

Items supplied

The following items will be found within the carton:

1. Stove body complete with door.
2. Burner complete with controls
3. Ceramic coal set.
4. These installation instructions, guarantee card and end user operating instructions.
5. Soft rope seal for flue spigot.
6. Blanking plate for top outlet.
7. Casting insert ring and disc for top casting.
8. Door handle.
9. Black finger fret

Gas connection

Note: Gas connection shall be with rigid or semi-rigid pipe. A 15mm (10mm for propane) gas supply pipe with isolation cock should be brought to within 1m of the Stove. The connection to the burner can be made from the right, left-hand side or rear to the restrictor elbow on the right hand side of the burner.

When passing the pipe through brickwork or plaster, cap the end to prevent entry of debris.

WARNING: Always blow pipe work through before connecting to appliance - contamination will permanently damage the burner.

Installation

The stove is factory assembled to suit a rear flue connection, to cover up the hole in the top outlet use the casting insert disc. To change to a top flue connection, interchange the flue spigot and blanking plate ensuring that the gaskets supplied are not damaged. For the top flue connection add the casting insert ring around the spigot before fitting the flue.

1. Place the stove on the hearth, ensuring that the correct clearances are maintained and using the grub screws on the base of the stove feet adjust until level.

2. Connection between the flue spigot and flueway should be made with 100mm internal diameter pipe (not supplied), which should be inserted into the flue spigot on the appliance and the soft rope seal supplied pushed down between the fluepipe and spigot to create a seal. Fire cement should then be applied on top of the rope seal.
3. Connection between then flue pipe and register plate, closure plate or flue liner must be sealed with a suitable heat resistant sealant.
4. Closure plates must have sufficient overlap around the opening and be sealed to provide a fume tight seal with a suitable heat resistant sealant.
5. Any register plate must be suitably fixed and sealed to provide a fume tight seal with a suitable heat resistant sealant. A removable access plate should be provided for removal of debris. The flue pipe should protrude a minimum of 100mm through the register plate see Fig. 2.
6. The gas connection can now be made.

Fuel bed assembly – See user instructions on page 10

Leak test & pressure test

1. Turn on the main gas supply and check for gas soundness.
2. Remove pressure test screw, and fit pressure gauge to pressure test point.
3. Light the fire (see next section).
4. Turn control knob anti-clockwise to **High** position.
5. When the control knob is in the **High** position, there should be a gas pressure of 20mbar \pm 1.0mbar for natural gas (37mbar for propane).
6. Extinguish the fire by turning the control knob clockwise to the **Off** position.
7. Remove the pressure gauge and replace the pressure test screw. Check again for gas soundness.

Lighting the fire

1. Push control knob in as far as possible on gas control.
2. Turn knob anti-clockwise until a click is heard. The knob will stop at the ignition position and a spark should be seen at the tip of the ignition probe. At the same time the pilot flame should light. **KEEP THE KNOB PRESSED IN FOR 10 SECONDS.** If the pilot should fail to light, turn the control knob clockwise to the 'off' position, wait 3 minutes and repeat the procedure.
3. When the pilot flame is alight the control knob should be allowed to spring out slightly. Turn the knob fully anti-clockwise to the high position. The pilot flame should then ignite the main fire.
4. The height of the flames can be adjusted by turning the control knob between the low and high positions. Note that the knob 'latches' in position at either end of this movement and must be pushed in slightly before it can be turned.
5. To turn the fire off, depress the knob slightly and turn it to the pilot position.
6. To completely extinguish the fire, depress the knob slightly and turn to the 'Off' position.

Check for clearance of products of combustion

1. Light the stove as described above.
2. Close all windows and doors.
3. After approximately 5 minutes place a smoke match into the 10mm diameter hole at the rear of the left-hand side of the stove as shown in Fig 6. Ensure that no smoke is forced out of the hole, which will indicate spillage. If spillage is detected, operate the fire for a further 10 minutes and repeat the test. If spillage is still detected introduce ventilation into the room by opening a window or door. If spillage is no longer detected then purpose made ventilation with a minimum area of 100 sq.cm must be provided. If after introducing ventilation into the room spillage is still detected the cause must be discovered and the fault corrected. If the fault cannot be corrected, disconnect the gas supply to the appliance and seek expert advice. Possible causes of spillage are chimney restrictions, or an incorrect cowl or terminal.
4. If there is an extraction fan in a nearby room then the spillage test must be repeated with the fan turned on and any interconnecting doors between the fire and the fan location left open.

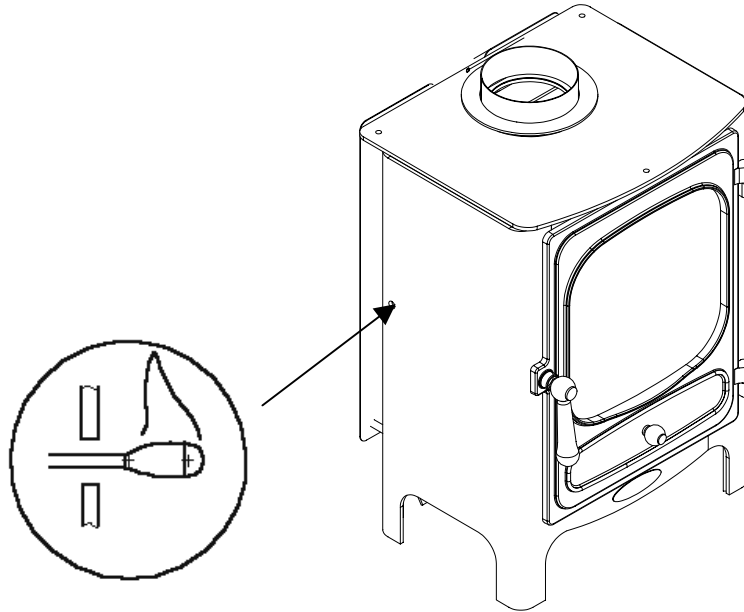


Fig. 6 Smoke match test point

Instruct the user

1. Hand over these Installation Instructions and the User Instructions to the person who is going to use the stove and explain how to light and operate the appliance. Explain how the stove may be lit, if necessary, by means of a long spill or taper.
2. Make certain that the user is aware that the ceramic blocks and coals must be located in accordance with the instructions, and that the appliance should be serviced at regular intervals by a competent person to ensure continued safe operation.
3. Explain that this appliance is fitted with an oxygen depletion sensor incorporated into the pilot body. Should the fire repeatedly extinguish itself, the cause should be sought and remedied as this may indicate spillage into the room of combustion products.
4. Indicate the tie-on warning label, which the customer must remove and read.
5. Advise the user that any smell given off by the appliance will clear away after a little use.
6. Point out that these instructions must be retained in a safe place for future use.

Maintenance

Servicing should be carried out regularly by a competent person in accordance with these instructions and the relevant regulations, to ensure the safe and correct operation of the appliance.

At least once a year check for debris in the flueway. If soot has accumulated ensure that the chimney is swept clean.

Before commencing any service or replacement of parts, turn off the main gas supply **and ensure that the fire is cold.**

When ordering spare parts please quote appliance serial number which can be found on the data badge plate.

Ceramics

Examine the coals and ceramic blocks for signs of excessive cracking and replace if necessary. Handle the ceramic components with care. Dust off any soot or deposits with a soft brush. Do not vacuum clean.

Removal of burner

1. Turn off the gas supply by the isolation cock.
2. Disconnect the 8mm pipe from the elbow at the right-hand side of the burner.
3. Remove the door handle and locking nut, then open the door.
4. Remove the 2 screws securing the burner.
5. Remove the fret and ceramic coal bed.
6. Remove burner.
7. Reassemble in the reverse order.
8. After servicing check for gas soundness.

Following a service, a check should be made for clearance of combustion products. Follow the procedure detailed in these instructions on page 5.

Cleaning the fire

Black paint: Use only a clean damp cloth. Do not use any cleaning agents.

Glass: Under normal use the glass should remain clean. If the glass needs cleaning use a suitable glass cleaner available from your stove supplier.

IMPORTANT - The paint finish is durable and heat resistant, however it will be damaged if plaster, cement or wallpaper paste is allowed to come into contact with it. **Protect the appliance during re-building or decorating work.**

Replacement of parts

Before commencing any servicing always ensure that the stove is isolated from the gas supply and that the stove is cold. After servicing always check for gas soundness.

Replacement of gas tap/FSD/piezo igniter

1. Turn off the gas supply by isolation cock.
2. Proceed with paragraphs 2-6 as described for, 'Removal of burner'.
3. Pull off control knob.
4. Disconnect ignition lead to the igniter unit.
5. Disconnect all gas connections to gas valve as well as the connection to the thermocouple.
6. Remove nut securing the valve to the mounting bracket, and discard old tap/FSD/piezo igniter complete.
7. Assemble the new tap/FSD/piezo igniter on the mounting bracket. Ensure that the filter is in position in the pilot outlet orifice on the tap body.
8. Reassemble the appliance in reverse order.
9. Turn on the gas supply and check for soundness.

Note: The igniter is not replaceable separately.

Replacement of main injector

1. Repeat operations 1 - 2, as described for 'Replacement of gas tap/FSD/piezo igniter'.
2. Remove gas pipe from gas valve to injector.
3. Unscrew injector and replace, making certain that the jet size stamping corresponds to the specification on the Data Badge plate.
4. Reassemble in reverse order.
5. Turn on the gas supply and check for soundness.

Replacement of ignition electrode & pilot assembly

1. Repeat operations 1 - 6, as described for 'Replacement of burner'.
2. Disconnect thermocouple connection to the gas tap/FSD/piezo igniter.
3. Disconnect pipe from base of pilot burner tube.
4. Pull off connector on the base of the igniter probe.
5. Remove 2 screws on gas burner and remove ignition unit complete.
6. Fit new pilot assembly and reassemble in reverse order.
7. Turn on the gas supply and check for soundness.

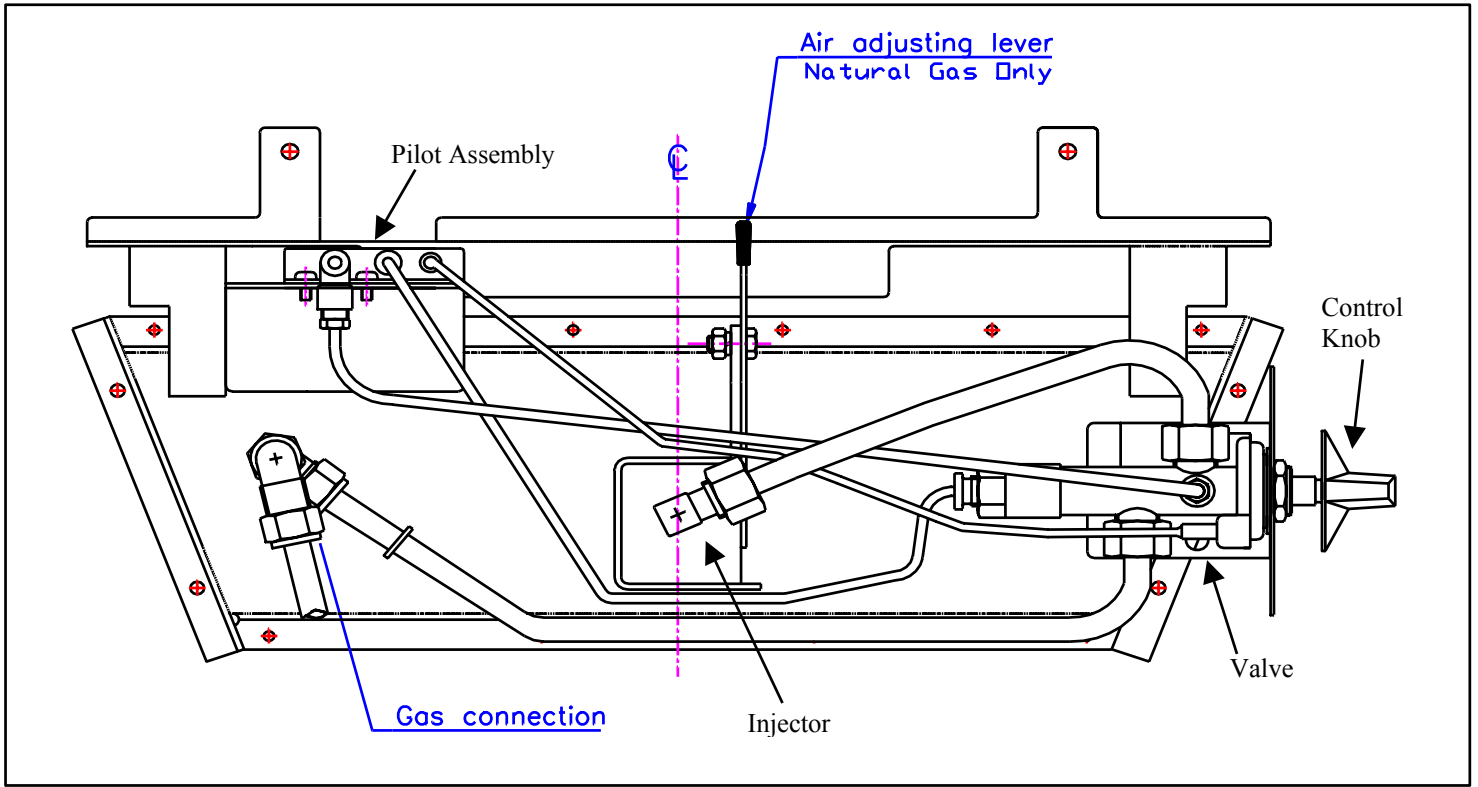
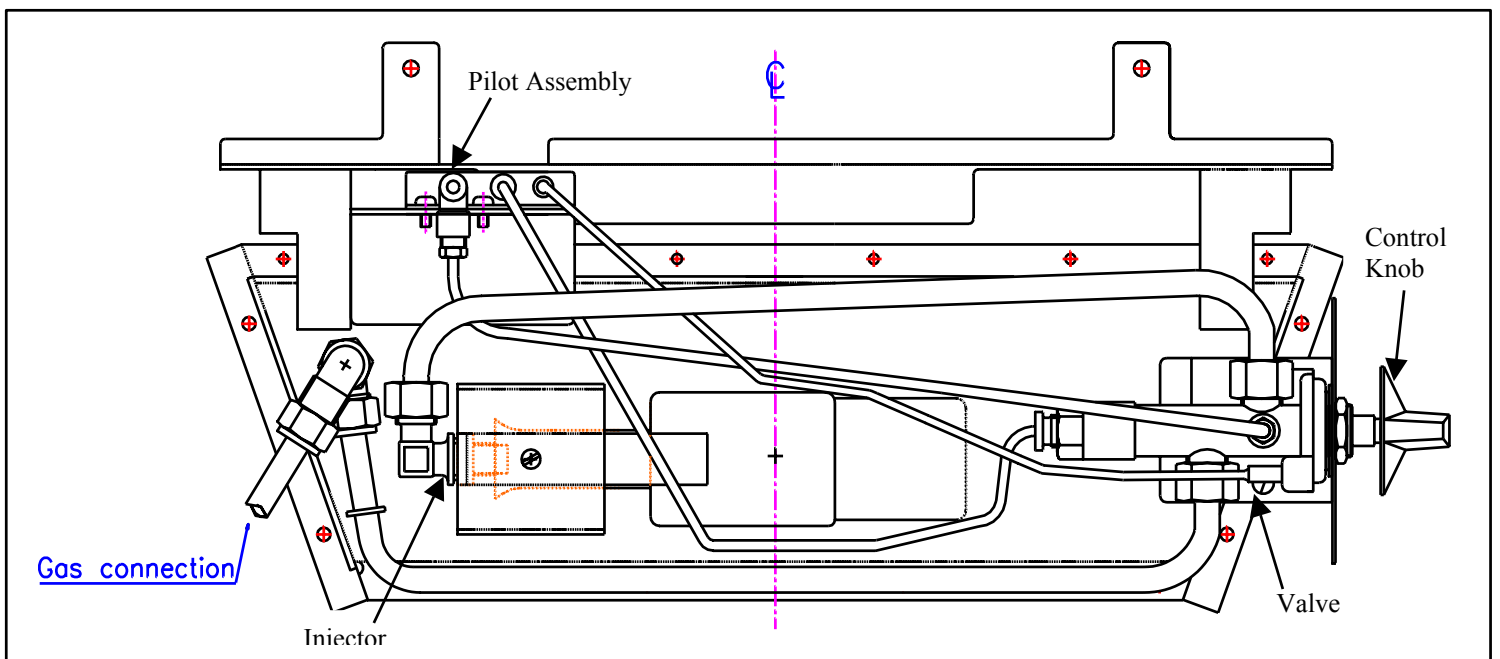


FIG. 7 Underside of burner Natural Gas version

FIG. 8 Underside of burner LPG version



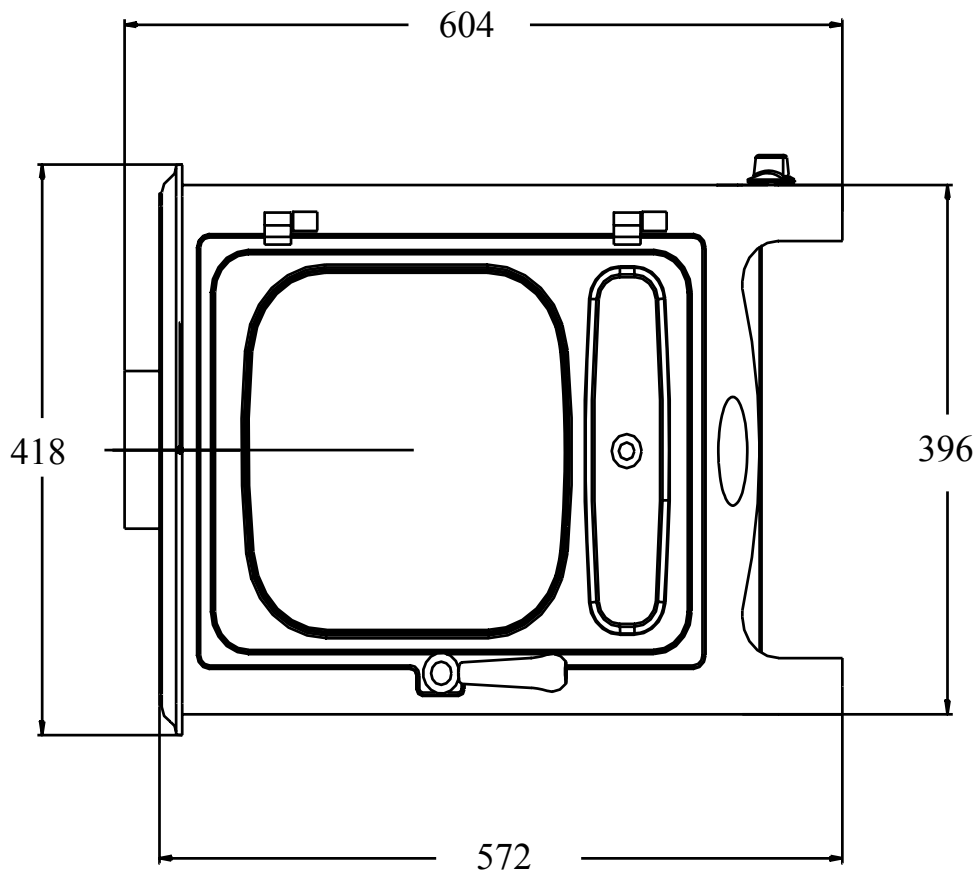
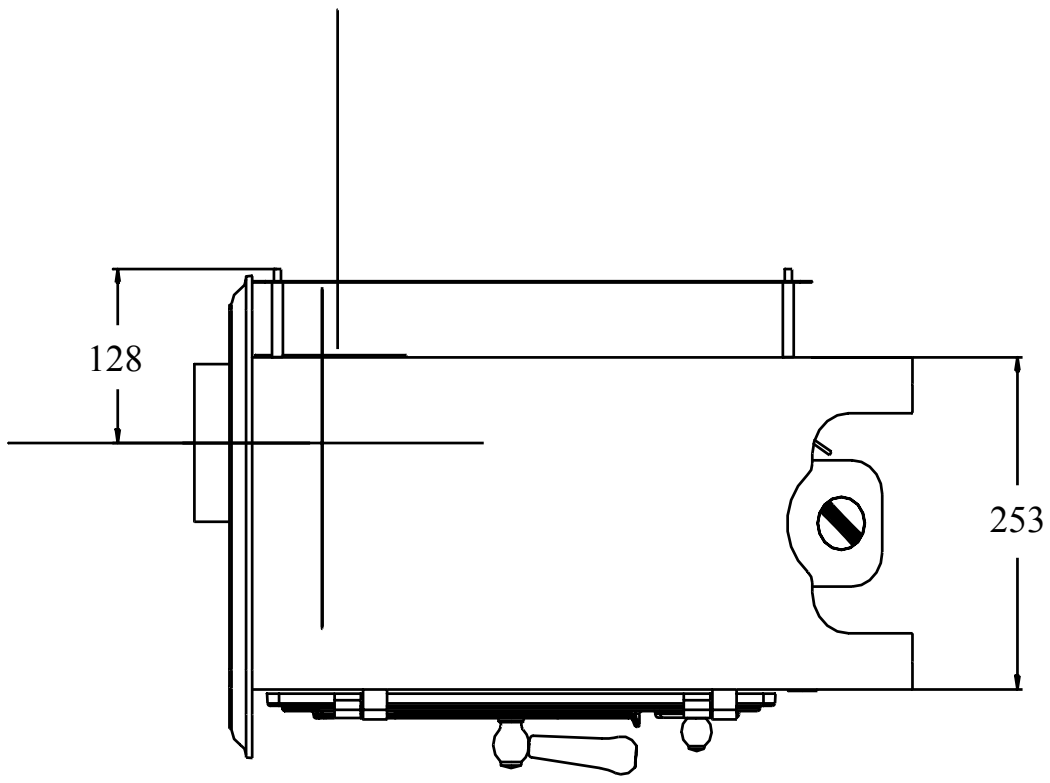


Fig. 9 Stove Dimensions

USER INSTRUCTIONS FOR THE STRAXGAS STOVE

Important notes

Due to its newness the stove may give off a slight smell for a short period after installation. This is quite normal and will disappear after a few hours of operation.

The appliance to which these instructions apply must be installed by a competent person (e.g. a C.O.R.G.I. member) approved by the Health and Safety Executive, and must be in accordance with the Installation and Servicing Instructions supplied.

Servicing should be carried out regularly by a competent person (e.g. C.O.R.G.I. member) in accordance with the Gas Safety (Installation and Use) Regulations, or rules in force, to ensure the safe and correct operation of the appliance.

Before installation of the appliance the chimney must be thoroughly swept, and then inspected regularly to ensure that it remains clear and there is no excessive build-up of soot. Should large amounts of debris or soot appear then the chimney must be inspected and the appliance serviced by a competent person before further use.

Any purpose made ventilation to the room must be inspected regularly to ensure that it remains free of obstruction.

A fireguard complying with BS6539 or BS6778, must be fitted if the room will be occupied by young children or the elderly, or infirm people.

On no account must the layout of the firebed be disturbed or additional coals be placed on the firebed.

Safety Reminders

- Straxgas stoves are efficient appliances giving off convected, conducted and radiated heat. All the surfaces of the stove including the door handle (except the gas control knob) are working surfaces and become hot in use. They must not be touched nor have any combustible objects or material placed on or near them. Adequate precautions should always be taken to protect children, the elderly, the infirm and pets, etc. from coming into contact with the stove.
- Keep all plastic bags away from young children.

Clearances

This stove is not suitable for installation against a combustible wall.

The heat shield fitted to this stove must not be removed, as it determines the correct spacing from the rear wall. Minimum side clearances to combustible materials must be 150mm and directly above the stove 180mm.

Lighting the fire

1. Push control knob in as far as possible on gas control.
2. Turn knob anti-clockwise until a click is heard. The knob will stop at the ignition position and a spark should be seen at the tip of the ignition probe. At the same time the pilot flame should light. KEEP THE KNOB PRESSED IN FOR 10 SECONDS. If the pilot should fail to light, turn the control knob clockwise to the 'off' position, wait 3 minutes and repeat the procedure.
3. When the pilot flame is alight the control knob should be allowed to spring out slightly. Turn the knob fully anti-clockwise to the high position. The pilot flame should then ignite the main fire.
4. The height of the flames can be adjusted by turning the control knob between the low and high positions. Note that the knob 'latches' in position at either end of this movement and must be pushed in slightly before it can be turned.
5. To turn the fire off, depress the knob slightly and turn it to the pilot position.
6. To completely extinguish the fire depress the knob slightly and turn to the 'Off' position.

Cleaning the fire

Black paint: Use only a clean damp cloth. Do not use any cleaning agents.

Glass: Under normal use the glass should remain clean. If the glass needs cleaning use a suitable glass cleaner available from your stove supplier.

IMPORTANT - The paint finish is durable and heat resistant, however it will be damaged if plaster, cement or wallpaper paste is allowed to come into contact with it. **Protect the appliance during re-building or decorating work.**

Fuel bed Assembly & Glass Cleaning

1. Open the door by removing the door handle. This is achieved by rotating the handle anti-clockwise, which will reveal the 13mm AF retaining nut. Remove this nut which will allow the door to be opened. Clean glass panel with a suitable glass cleaner if necessary.
2. The ceramic components are fragile and should be handled with care. Refer to Figs. 4 & 5 for positioning the ceramic fibre components and coals.
3. Place the ceramic matrix on the burner, pushing it back against the upturned edge of the burner plate.
4. Spring forward the slotted front plate and slide the front ceramics down as far as the stops.
5. Remove the coals from the bag; note there are two sizes supplied. Place them on the ceramic matrix as shown in Fig. 5. Place the side large coals on first, then place the rest on, starting from the front middle.
6. Check the door seal is in good condition and correctly positioned in the recess. Close the door, replace the 13mm AF retaining nut, tighten until an even seal is achieved and refit the door handle. Do not overtighten door seal.

Note: This appliance **must not be used** with the door open or glass cracked or missing.

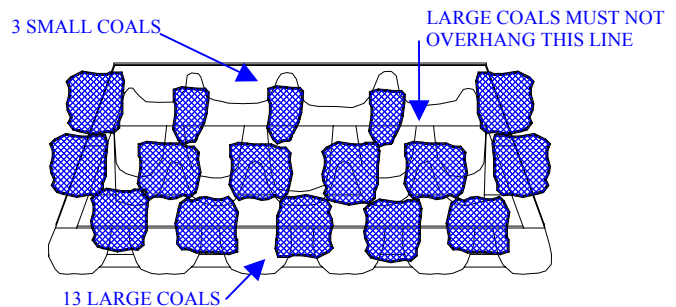
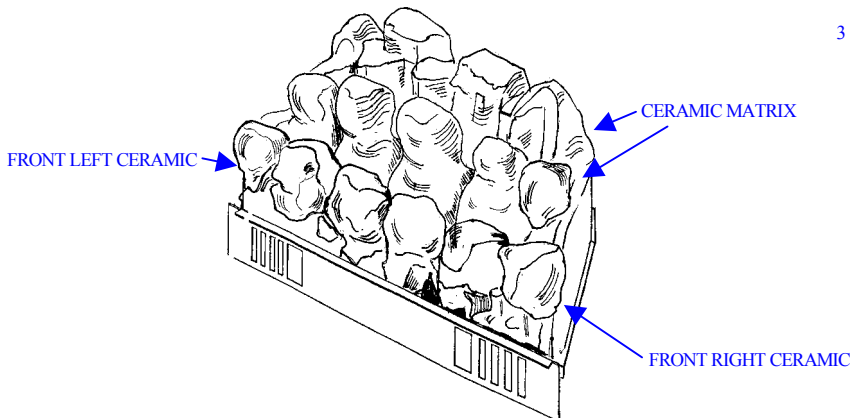


Fig.5 Placing the loose coals

Fig.4 Assembling the ceramic blocks

SPARE PARTS

When ordering spare parts please quote part numbers as listed below:

	NATURAL GAS	L.P.G. (Propane)
Gas tap / FSD / piezo igniter	BV50023	BV50147
Oxypilot assembly	BA50004	BA50041
Injector	BI31000	BI31000
Ceramic matrix	BC50441	BC50441
Front ceramic - set of 2	BC50442	BC50442
Set of 16 loose coals	BC50443	BC50443
Glass kit	BA50446	BA50446
Door seal kit	BA50447	BA50447

NOTE: No liability can be accepted unless this product has been installed and operated strictly in accordance with these manufacturer's instructions

U.K. Registered Design 2040268. British Patent Application 9414887.1
Design right reserved © Legge Fabheat Ltd.