



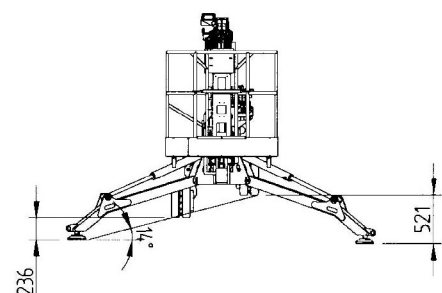
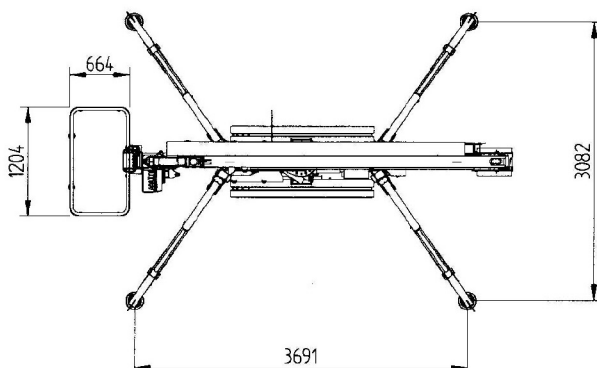
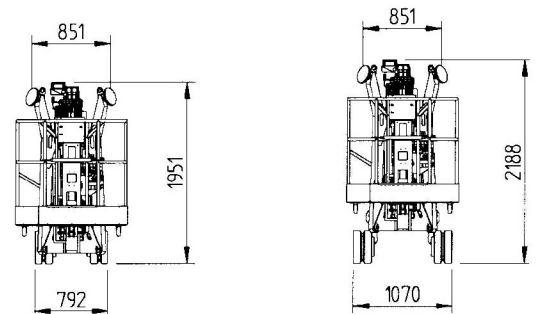
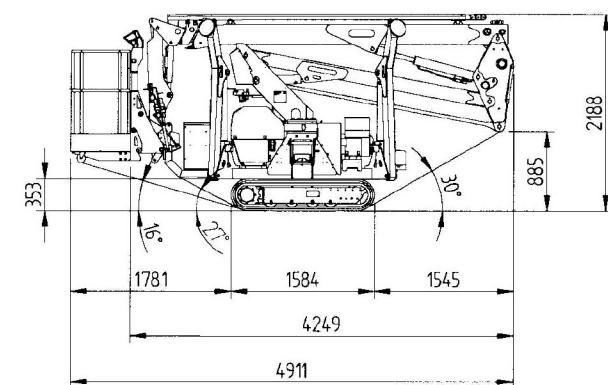
Technical Data Spider 18.90 Tracked Access Platform

Tel: 01274 666 676 Fax: 01274 669 000 Email:sales@trackedaccessplatforms.com Web:www.trackedaccessplatforms.com

Working Height	17.70m
Basket floor Height	15.70m
Max outreach	9.30m
Turret Rotation	360°
Basket dimensions	1200mm x 660mm x 1100mm
Max working load	200kg
Length in stowed position	4250mm or 4920 mm
Min. Stowed width	792mm
Min. stowed height	1951mm
Outriggers footprint	3100mm x 3700mm
Driving speed	2,0 KMH
Petrol Engine (Honda)	13hp
Diesel Engine (Yanmar—Hatz)	10hp
Max gradeability	27° (51%)
Max lateral gradeability	14° (25%)
Total weight	2300kg
Ground tracks load	5.25 N/cm2
Max pressure on ground (Working condition)	1500daN

OPTIONS

Electric power pack	240v AC, 110v AC, 415v 3phase
---------------------	-------------------------------





Technical Data Spider 18.90 Tracked Access Platform

Tel: 01274 666 676 Fax: 01274 669 000 Email:sales@trackedaccessplatforms.com Web:www.trackedaccessplatforms.com

Working Height	17.70m
Basket floor Height	15.70m
Max outreach	9.30m
Turret Rotation	360°
Basket dimensions	1200mm x 660mm x 1100mm
Max working load	200kg
Length in stowed position	4250mm or 4920 mm
Min. Stowed width	792mm
Min. stowed height	1951mm
Outriggers footprint	3100mm x 3700mm
Driving speed	2,0 KMH
Petrol Engine (Honda)	13hp
Diesel Engine (Yanmar—Hatz)	10hp
Max gradeability	27° (51%)
Max lateral gradeability	14° (25%)
Total weight	2300kg
Ground tracks load	5.25 N/cm2
Max pressure on ground (Working condition)	1500daN

OPTIONS

Electric power pack	240v AC, 110v AC, 415v 3phase
---------------------	-------------------------------

