

Prices  
exclude  
VAT

LST Standard



## LST Standard

Single Convector Type 11

Casing Height mm	Casing Length mm	Henrad Code	Heat emissions		Henrad Price
			Watts	Btu/hr	
<b>500</b>	560	145400	196	669	£231.38
	560	145424	290	989	£245.92
<b>650</b>	760	145425	435	1484	£312.02
	960	145426	580	1979	£341.11
	1160	145427	725	2474	£372.84
	1360	145428	870	2968	£397.97

Btu/hr @  $\Delta t50^{\circ}\text{C}$

## LST Standard

Double Convector Type 22

Casing Height mm	Casing Length mm	Henrad Code	Heat emissions		Henrad Price
			Watts	Btu/hr	
<b>500</b>	560	145416	348	1187	£245.92
	760	145417	522	1781	£293.52
	1160	145419	870	2968	£397.97
<b>650</b>	560	145440	478	1631	£298.81
	760	145441	717	2446	£342.43
	960	145442	956	3262	£438.95
	1160	145443	1195	4077	£510.35
	1360	145444	1434	4893	£584.39
	1560	145445	1673	5708	£695.45
	1760	145446	1912	6524	£769.49
	1960	145447	2151	7341	£846.16
<b>800</b>	760	145465	922	3146	£401.93
	960	145466	1230	4197	£532.82
	1160	145467	1537	5244	£646.53
	1360	145468	1844	6295	£731.15
	1560	145469	2152	7343	£835.60
	1760	145470	2459	8393	£926.83
1960	145471	2767	9441	£1047.14	

Btu/hr @  $\Delta t50^{\circ}\text{C}$

- LST Standard gives you the option to specify controls.
- LST Standard has the option to reverse the attractive outer casing to suit the pipe layout.
- For peace of mind the paint finish is anti-bacterial.
- The LST Standard comes complete with all components required in one easy package.
- The internal emitter generates excellent heat outputs through convection.
- Tested to high standards, the emitter has a maximum working pressure of 116psi (8.0 bar) and conforms to BS EN 442.

Working pressure:  
Tested to withstand 8.0 bar



For technical and installation information visit our website  
[www.henrad.co.uk/downloads](http://www.henrad.co.uk/downloads)

### Technical information

#### Testing and Operating Pressures

Henrad LST Standard has been independently tested to ensure radiators perform to a maximum working pressure of 8.0 bar.

#### Connections

Henrad LST Standard has 4 x 1/2" BSP connections as standard.

#### Paint Process

Two coat paint process, each Henrad radiator is subjected to a multi-stage cleaning and paint process.

The final powder coat is Traffic white (RAL A9016) which is stoved and cooled to give a perfect finish. All radiators are illustrated in Traffic white unless stated.

#### Water Treatment

Installation of the system should be properly flushed and fitted in accordance with the British Code of Practice for the Treatment of Water in Domestic Hot Water Central Heating Systems.

#### Warranty

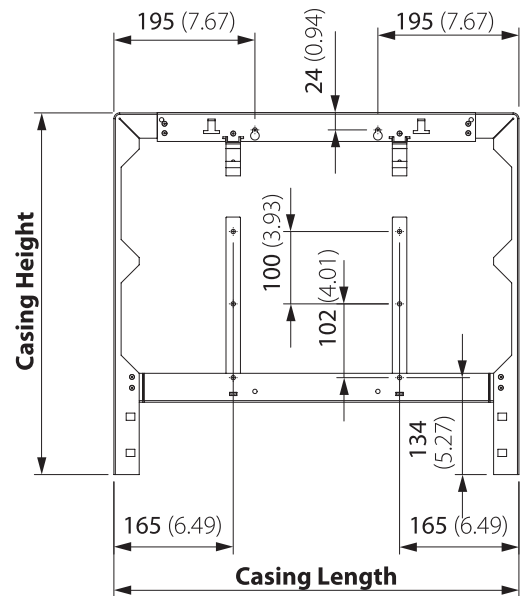
LST Standard comes with a 10 year manufacturer's warranty on Emitter and 5 year manufacturer's warranty on Casing.

Henrad (UK) Limited, Marriott Road,  
Mexborough, South Yorkshire S64 8BN.  
Telephone: 0844 543 6200 Facsimile: 0844 543 6300

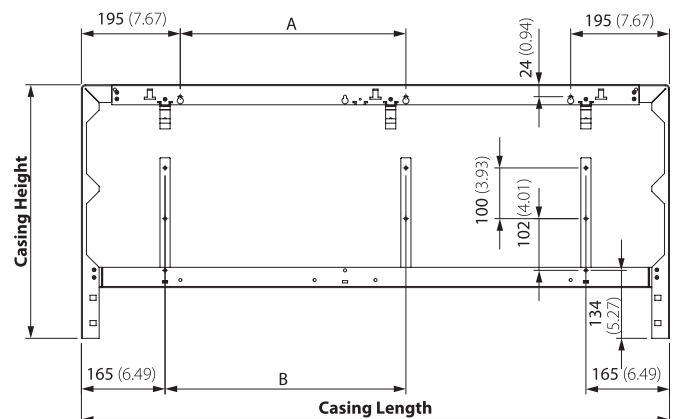
[www.henrad.co.uk](http://www.henrad.co.uk)

### LST Standard

All dimensions in mm unless stated.

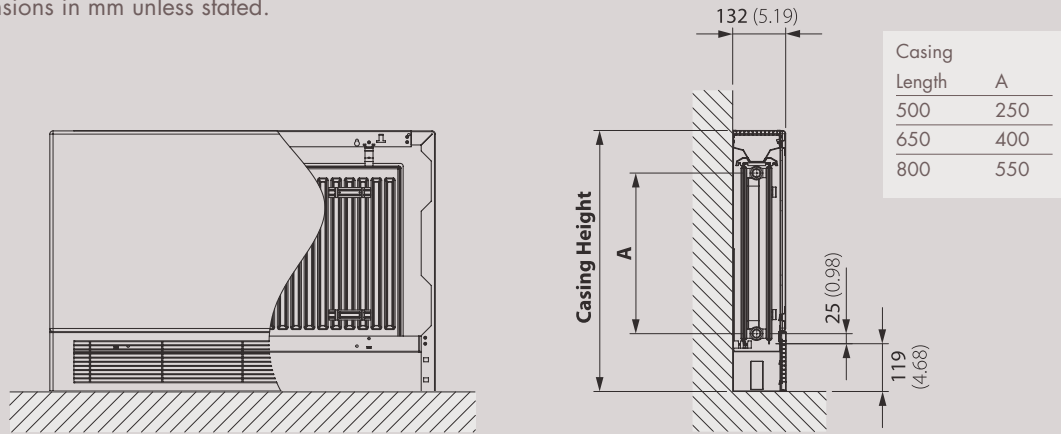


Casing Length	Casing Height
560	500
760	650
960	800

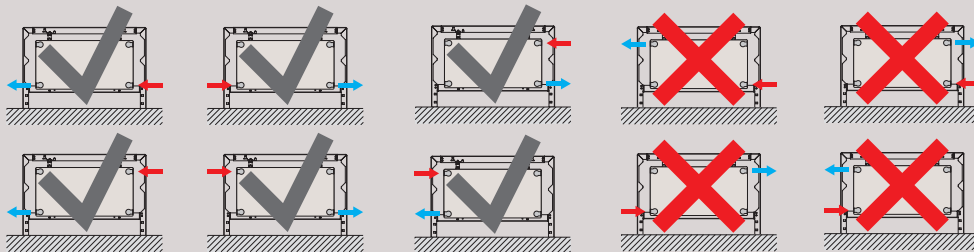


Casing Length	A	B	Casing Height
1160	445	475	500
1360	545	575	650
1560	645	675	800
1760	745	775	
1960	845	875	

All dimensions in mm unless stated.



**LST Standard piping option**



LST Standard front case view.



LST Standard inside the casing showing the emitter.



LST Standard emitter, showing high level valve option (valve not included).



LST Standard circular knockout for TRV. Oblong knockout for pipe.