

Product Guide

National Reinforcing Products and Services

4TH EDITION



Contents

Why We Are Different

Specifications and Services	4
GBCA	6
ISCA	8
ACRS	10
SRIA	12
Rebar and Reo Wire	
Product Designations	13
Construction Solutions	14

Reinforcing Mesh

ONEMESH®	18
Trench Mesh	24

Reinforcing Wire

Smooth and Ribbed Wire	26
Fitments	27
Viribar®750	28
Fabricated Cages	30
Footing Bars	31

Reinforcing Bar

500PLUS® Rebar	35
Metric Threaded Bar	48
Wall Bars/Starter Bars	49

Prefabrication Solutions

PROPILE™	54
CUSTOMCAGE™	55
BARMAT®	56
PROCAGE™	57
BAMTEC®	58
ROMTECH®	59

Other Mesh

HANDIMESH®	62
Stockyard mesh	64
MINEMESH®	66

Bar Chairs

Concrete Block Chairs	68
Metal Bar Chairs	70
Plastic Bar Chairs	75
Fibre Concrete Spacers	84
Pile Wheels	87

Accessories

Safety Caps	90
Tie Wire	93
Polyethylene Building Films & Tape	97
Dowels	100
Dowel Caps & Sleeves	114
Crack Inducers	119
Expansion Joints	123
Key Joints	126
Pullout Bar Boxes	131
Formwork	137
Mechanical Splices and Headed Reinforcement	
– ReidBar™	144
– Dextra	162
– Ancon®	169
– nVENT®	178
Polystyrene Pods	185
Designer Concrete Coatings	190
Lintels	194
Metal Decking	202
Tools	205

Branch Network **220**

Please note: Updates, changes and additions to this guide can be accessed at www.infrabuild.com

Specifications and services

Delivery Offer

The InfraBuild Construction Solutions delivery offer includes the following:

- Delivery to site
- Delivery hours
- Vehicles
- First drops (Timed deliveries)
- Order lead time
- Return of goods (pick-ups), subject to return fees.

To obtain the delivery offer in your area please contact your nearest InfraBuild Construction Solutions branch.

Customer Pick-Up

Customers have the option of collecting goods from InfraBuild Construction Solutions branches, saving you time and money.

Note: Loading of customer vehicles is subject to the appropriate roads authority loading guide.

Scheduling, Estimating and Detailing

InfraBuild Construction Solutions provides scheduling and estimating services, including detailed take-offs from engineering and architectural drawings.

Note: Charges may apply.

Bundling

500PLUS® Reinforcing Bar and ONEMESH® is bundled with a maximum nominal mass of two tonnes per bundle unless otherwise requested. Content of rebar bundles is determined by InfraBuild Construction Solutions.

Special Bundling Sizes

Special bundling sizes are available – details on request.

Tolerances

500PLUS® and ONEMESH® are cut and bent to the appropriate tolerances in AS/NZS 4671 Steel for the reinforcement of concrete, AS5100 Bridge design and/or AS 3600 Concrete structures. ONEMESH® Reinforcing Mesh and 500PLUS® bar are manufactured to AS/NZS 4671. Tolerances tighter than those specified in AS 3600 are possible and may incur an additional charge. Prices available on request.

Pre-Galvanized Wire

Purchasers should assess suitability for end-use applications.

Hot Dip Galvanized

InfraBuild Construction Solutions can provide a high-quality galvanizing service that meets AS/NZS 4680 Hot dip galvanized (zinc) coatings on fabricated ferrous articles.

Cut and Bent Mesh

ONEMESH® Reinforcing Mesh and HANDIMESH® can be cut and/or bent to suit specific requirements. Prices and delivery lead times available on application.

Mesh Made To Order

InfraBuild Construction Solutions can produce mesh to suit your requirements. For further details on prices, capability, minimum order quantities and delivery, please contact your nearest InfraBuild Construction Solutions branch.

Prefabrication

InfraBuild Construction Solutions are Australia's prefab experts that you can rely on at every step of the prefab process through planning, production and delivery. Our prefab solutions consist of six innovative products: PROPILE™, PROCAGE™, CUSTOMCAGE™, BAMTEC®, BARMAT® and ROMTECH®. Prefabrication solutions comply with all relevant Australian Standards.

Solutions

InfraBuild Construction Solutions manufacture and distribute a number of other products and construction systems such as ReidBar™. Full details are available on request.

Construction Accessories

A wide range of accessories are available from our branches.

Metric Threading

Metric threading services are available.

Saw Cutting

InfraBuild Construction Solutions provides an accurate and quality saw cutting service.

Lump Sum or Supply and Fix

For selected projects, InfraBuild Construction Solutions is able to offer Lump Sum or Supply and Fix rates.

Please Note

To improve our service, when ordering please:

- quote a job reference number / product codes
- provide written confirmation of order
- email or fax details of cut and/or bent bar / mesh.

For delivery

- Quote your order number, delivery site address, contact name and phone number
- Supply the nearest cross street and/or landmark to the site
- Supply any other site access or opening and closing time information
- Supply site contact details.

Disclaimer

The information contained in this publication is provided as a service to those interested in concrete reinforcing steel. Since the information is provided for general guidance only, and in no way replaces the services of professional consultants on particular projects or subjects, no legal liability can be accepted by InfraBuild Construction Solutions for its use.

GBCA

The Green Building Council of Australia (GBCA) is a national authority on sustainable buildings, communities and cities.



- The GBCA administers the Green Star® environmental rating system for commercial, residential, industrial, healthcare and education buildings
- In Australia, Green Star® is a trusted mark of quality for the design, construction and operation of sustainable buildings, fit-outs and communities
- Green Star® ratings are specified by the majority of CBD commercial multi-storey developments and government projects
- In 2017, the Green Building Council of Australia updated its Design and As Built Guidelines. The following lists the Steel Credit points available under the current guidelines v1.3:

Points under D&AB Tool		
Points	Rating	Outcome
45 – 59	Four Star	Australian Best Practice
60 – 74	Five Star	Australian Excellence
75+	Six Star	World Leadership

Life Cycle Impacts – Steel Credit 19B.2B – Points available: 1

- **One point is available** where project teams can demonstrate a 5% reduction in the mass of reinforcing steel used in the building when compared to standard practice.

Responsible Building Materials Credit 20 – Points available: 1

- **One point is available** where 95% of the building's steel (by mass) is sourced from a responsible steel maker and at least 60% (by mass) of all reinforcing bar and mesh is produced using an energy reducing process in its manufacture (measured by average mass by steel maker annually).

Sustainable Products – Credit 21

- **Up to three (3) points are available** when project teams can demonstrate that a specified percentage of eligible products meet one of the following initiatives:
 - A. Reused Products, in accordance with 21A
 - B. Recycled Content Products, in accordance with 21B
 - C. Environmental Product Declarations, in accordance with 21C
 - D. Third-Party Certification, in accordance with 21D, or
 - E. Stewardship Programs, in accordance with 21E.

Points are awarded based on the percentage value of the products that meet one of the specified initiatives. This is demonstrated by calculating the Project Sustainability Value (PSV) and comparing it with the Project Contract Value (PCV) as a percentage.

Innovation Challenge – High-strength Fitments

As of June 2019, **one point is available** for the use of 750N fitments, under the following conditions:

- A minimum of 70% of the structural columns for the entire building, by length, are concrete and require steel reinforcement
- and 95% or more of the fitments used in these columns are ≥ 750 MPa replacing the equivalent 500 MPa fitments**
- and 95% or more of the fitments are supplied by a steel maker that meets the Responsible Steel Maker requirements in the Responsible Building Materials (20.1) credit
- and the fitments supplied meet Australian Standard AS 3600 and have a CEV value not exceeding 0.49; and is a trademarked product
- and the project team achieves either one (1) point in the Reduced Use of Steel Reinforcement (Concrete framed building) credit (19B.2B), not including the reduction in mass of fitments; or an improvement of 4% in the Climate Change Impact category of the Life Cycle Assessment credit (19A) across all modules as a whole, excluding the B6 Operational Energy module.

GBCA FAQ 00112 pertaining to this credit is available on the GBCA website (www.gbca.org.au).

InfraBuild Construction Solutions can help achieve the Green Star® steel credit requirements in the following ways:

- InfraBuild Steel has a valid ISO 14001 Environmental Management System in place
- InfraBuild Steel is a member of the World Steel Association's Climate Action Programme

- InfraBuild Construction Solutions can assist in all five aspects of Credit 21 of the GBCA Green Star scheme
- At least 60% of InfraBuild Construction Solutions' steel is produced using Polymer Injection Technology (PIT) – an energy-reducing process used in manufacturing
- At least 95% of InfraBuild Construction Solutions' rebar and REOMESH® meets or exceeds 500 MPa strength grade
- InfraBuild Construction Solutions can assist with a 5% reduction in the mass of reinforcing steel used in the building when compared to standard practice.

For more information on Green Star® related products visit the Green Star page of our website.

How InfraBuild Construction Solutions can assist in the reduction of steel mass:

- Engineered Reinforcing Bar Carpet (BAMTEC®) – reinforcing bar fabricated as a carpet offsite for rolling out onsite. Variable bar diameter, length and spacing to match original design intent
- Engineered/Customised solution (BARMAT®) – tailored Class N, special size, engineered mat, variable bar diameters, spacings and lengths
- Prefabricated Reinforcing Cages – prefabricated reinforcing cages for concrete elements such as walls, cores, columns, piles and slabs
- Couplers – InfraBuild Construction Solutions can provide the best coupler option to reduce lapping
- Use of Viribar®750N fitments in columns.

** 500 MPa 10 mm diameter can be replaced by 750 MPa 8.2 mm dia
500 MPa 12 mm dia can be replaced by 750 MPa 9.8 mm dia
500 MPa 16 mm dia can be replaced by 750 MPa 13.1 mm dia

ISCA

InfraBuild Construction Solutions and the Infrastructure Sustainability Council of Australia's (ISCA) IS Rating Scheme.



ISCA aims to improve the productivity and liveability of industry and communities through sustainability in infrastructure. ISCA developed and administers the Infrastructure Sustainability (IS) Rating Scheme.

The IS scheme is Australia's only comprehensive rating system for evaluating sustainability across design, construction and operation of infrastructure.

The scheme evaluates the sustainability (including environmental, social, economic and governance aspects) of infrastructure projects and assets.

There are two versions of the IS materials calculator. Projects will be awarded an IS Rating based on an overall score:

ISv1.2

There are 7 points available under the materials category; 6 points for the materials calculator and 1 point for environmentally labelled products.

ISv1.2	
Points	Rating Level
25 – 49+	Commended
50 – 74+	Excellent
75+	Leading

Related ISv1.2 Credits
Mat-1, Mat-2, Pro-2, Pro-4, Was-1, Was-2, Was-3
Rating Phases: As Built, Design, Planning

ISv2.0

There are 6 points available under the materials category: 4.5 points for the materials calculator and 1.5 points for environmentally labelled products.

ISv2.0	
Points	Rating Level
25 – 39	Bronze
40 – 59	Silver
60 – 79	Gold
80 – 94	Platinum
95+	Diamond

Related ISv2.0 Credits
Ecn-1, Ecn-4, Inn-1, Lea-1, Lea-2, Lea-3, Rso-4, Rso-5, Rso-6, Rso-7, Spr-2, Spr-3, Wfs-4
As Built, Design, Operations

Under Both Versions

Three points are available to reward design and practice that reduces life cycle impacts via reduced material use such as Prefabricated Reinforcing Elements, Engineered Reinforcing Bar Carpet (BAMTEC®) or Engineered Mat (BARMAT®).

Three points are available to reward environmentally labelled products and supply chains:

- **One point is available** via the use of products covered by our EPDs
- **Two additional points are available** if >9% of materials/products (by value) have an ISCA- approved environmental label, such as our EPD.

Sustainability Outcomes

InfraBuild publishes Environmental Product Declarations (EPDs) that cover our hot-rolled structural steel, reinforcing bar and mesh, pre-stressing strand and rail products. InfraBuild EPDs may help your project achieve ISv2.0 Rso-6 and ISv1.2 Mat-2 credits.

InfraBuild has a range of policies and procedures that demonstrates strong social, economic, safety and environmental credentials, which may contribute to additional IS credits such as ISv2.0 Lea-1, Lea-2, Lea-3, Inn-1 Spr-2, Spr-3, Rso-4, Rso-6, Wfs-4 (L3.4), Ecn-1 and Ecn-4 and ISv1.2 Mat-1, Mat-2, Pro-2, Pro-4, Was-1, Was-2, Was-3. InfraBuild also publishes Corporate Sustainability reports.

Early collaboration with InfraBuild fosters opportunities for innovation, reduced environmental impacts, risk minimisation, knowledge sharing, offsite fabrication, design and logistics optimisation and waste minimisation, as well as broader supply chain engagement contributing to the above credits.

InfraBuild's products are all manufactured to the relevant Australian Standards. InfraBuild has ACRS Certification for our reinforcing products, which further underpins our strong compliance credentials.

Our product traceability and transparency through the supply chain provides confidence to the market that the material supplied meets the design, quality and sustainability specifications of the project.

Read more about the IS Rating Scheme at the ISCA website (www.isca.org.au).

ACRS

InfraBuild Construction Solutions REOMESH®, wire and rebar are certified by the Australasian Certification Authority for Reinforcing and Structural Steels (ACRS).



Does reinforcing bar and mesh comply with Australian Standards?

- Concrete reinforcing steel used in commercial buildings, bridges, civil structures, house slabs, patios, extensions, driveways, footpaths, etc. should have the correct chemical and mechanical properties
- Not all reinforcing bar and mesh meets Australian Standards. Materials sourced widely in Australia and from overseas are manufactured to varying standards. Check to confirm you are getting what you have specified
- There are potentially serious consequences as a result of using non-compliant materials. For example: serviceability (excessive cracking or deflections due to poor bond); and robustness (low-strength reinforcing)
- Australian Standards require concrete reinforcing steel to have the necessary chemical and mechanical properties (strength and ductility) appropriate to the engineering design assumptions on which they are based. The Building Code of Australia (BCA) references Australian Standards. InfraBuild Construction Solutions' steels comply with the relevant Australian Standards and therefore the requirements of the BCA. ACRS is an independent third-party assessment body that checks reinforcement for compliance to AS/NZS 4671 Steel for the reinforcement of concrete
- ACRS certification independently confirms that the materials comply with the Standard

- Ask for proof that the reinforcing mesh and bar you are supplied complies with AS/NZS 4671 Steel for the reinforcement of concrete
- The easiest way to check is to ask to see your supplier's ACRS Certificate.

Full details of ACRS can be found at:
www.steelcertification.com

Relevant Concrete Construction Standards

AS/NZS 4671 Steel for the reinforcement of concrete

- Specification for steel bars, wire and mesh for use in reinforced concrete structures, designed in accordance with AS 3600 or AS 5100 and other Standards.

AS 3600 Concrete structures

- Design and detailing of concrete structures and elements, with or without steel reinforcement or prestressing tendons, based on the principles of structural engineering mechanics.

AS 5100.5 Bridge design: Concrete

- Minimum requirements for the design and construction of concrete bridges and associated structures including members that contain reinforcing steel and tendons, or both
- Although AS 5100.5 closely follows the design rules of AS 3600, there are some differences in regard to the detailing of reinforcing steel in concrete elements.

AS/NZS 1170 Structural design actions

Part 1: Permanent, imposed and other actions (Loading code)

- Specifies permanent, imposed, static liquid pressure, ground water, rainwater ponding and earth pressure actions to be used in the limit state design of structures and parts of structure.

AS 2327.1 Composite structures Part 1: Simply supported beams

- Sets out minimum requirements for the design, detailing and construction of simply supported composite beams composed of a steel beam and a concrete slab interconnected with shear connectors, including applications where the slab incorporates profiled steel sheeting.

AS 1554.3 Structural steel welding Part 3: Welding of reinforcing steels

- The welding of reinforcing steel used in concrete structures that are designed and constructed in accordance with AS 3600 and other Standards
- References: AS/NZS 4671.

AS 1100-Part 501 Technical drawing: Structural engineering drawing

- This Standard references AS/NZS 4671 and thus covers the use of reinforcing bar and mesh.

AS 3727.1 Pavements Part 1 – Residential

- Guidelines for the selection and construction of pavements associated with residential buildings consisting of single houses or multiple dwellings in medium density housing development
- Recommends mesh sizes for concrete slabs, depending on the service requirements.

AS 2870 Residential slabs and footings

- This standard covers slab-on-ground for housing
- Classification of a site and the design and construction of a footing system for a single dwelling house, townhouse or the like, which may be detached or separated by a party wall or common wall, but not situated vertically above or below another dwelling.

AS 2783 Use of reinforced concrete for small swimming pools

- Structural design and construction of reinforced concrete pools
- References AS 3600 and AS 3735 Concrete structures for retaining liquids.

AS/NZS 2425 Bar chairs in reinforced concrete – Product requirements and test methods

- This Standard specifies requirements for bar chairs, spacers, continuous bar chairs
- Covers strength, permanent deflection and accuracy of manufacturing within acceptable tolerances
- Prescribes requirements for identification/batch/supplier traceability and fixing
- Specifies minimum requirements for load capacity testing of bar chairs and spacers
- Sets out durability requirements for concrete bar chairs.

SRIA

InfraBuild Construction Solutions is a proud member of the Steel Reinforcement Institute of Australia (SRIA). The following Publications and Technical Notes are available from the SRIA website.



Publications

- Guide to Seismic Design and Detailing of Reinforced Concrete Buildings in Australia
- Guide to Historical Steel Reinforcement in Australia

Technical Notes

- 1: Surface Condition of Steel Reinforcement
- 2: Substitution of N12 Rebar in AS 2870 Residential slabs and footings
- 3: Restrictions on the Use of Wire Bar Chairs
- 4: Fabrication and Site Handling of Reinforcing Bars
- 5: Guidelines for Economical Assembly of Reinforcement
- 6: Design to AS 3600 of Suspended Concrete Floors Reinforced with Class L Mesh
- 7: Stress Development and Lap Splicing of Straight D500N Tensile Reinforcing Bars to AS 3600

Download the SRIA technical notes from the SRIA website (www.sria.com.au).

Rebar and Reo Wire Product Designations

All certified reinforcing steel is identified by designators which distinguish shape, strength, ductility and size. Designations are stated in that order (e.g. D500N16) and are critical in identifying and communicating which reinforcing steel is required.

AS/NZS 4671 Designation	InfraBuild Designation*	Yield Stress (MPa)	Ductility Class**	Product Description	Source Material Type	Size Range#
D500N_	N_	500	N	Hot-rolled deformed rebar (500PLUS® rebar)	Tempcore (TC) MicroAlloy (MA) ContiStretch (CS)	N10, N12 – N40 (4 mm increments)
R250N_	R_	250		Hot-rolled round rebar	Mild Steel	R6, R10, R12 R16 – R28
D250N_	S_			Hot-rolled deformed rebar (POOLSTEEL®)		S12
D500L_	RW_	500	L	Cold rolled ribbed wire		RW4.75 – RW11.9
R500L_	W_			Cold drawn round wire	W4 – W12	
R750N_	V_	750	N^	Viribar®	MicroAlloy (MA)	V8.2, V9.9, V11.2

* _ indicates bar diameter (mm), e.g. N24

** Minimum Uniform Strain N : Normal (≥5%), N^ = For 750 MPa (≥4%), L : Low (≥1.5%)

D = Deformed, R = Round, N = Normal Ductility, L = Low Ductility, S = Swimming Pool, RW = Ribbed Wire, V = Viribar®, W = Wire
indicates InfraBuild size range using product codes

Construction solutions

Commercial Solutions

InfraBuild Construction Solutions has a range of innovative concrete reinforcing steel solutions to streamline construction and take steelfixing off the critical path, adding to time, cost and labour savings.

Optimisation and Buildability

InfraBuild Construction Solutions has a team of engineers that will assist you to minimise cost by optimising steel usage, while retaining all-important buildability so the project remains on schedule.

Detailing and Scheduling

Accurate and timely scheduling is crucial in keeping a project running smoothly. InfraBuild Construction Solutions has highly skilled and experienced scheduling teams across Australia that are available to ensure your project stays on track, on-time and trouble free.

Prefabrication

Offsite prefabrication offers numerous benefits, ranging from minimising onsite risks to workers to earning Green Star® rating points for your project. InfraBuild Construction Solutions offers superior prefabricated products and service.

Project Management

We know the critical importance of keeping strict control of a project's costs, logistics and supply chain. InfraBuild Construction Solutions has dedicated project managers to work with your team to manage the changes while keeping everyone informed and the project on schedule.



Logistics Management

We look at the details such as how prefabricated elements need to be lifted and handled, whether lifting points are required, whether loads have to be pre-slung before they leave the yard and, if so, how and where. InfraBuild Construction Solutions understands these requirements to save you time and improve safety onsite.

Safety and Risk Management

Our customers call on us to solve their problems, not create them. Our team members take no chances on safety and we ensure our onsite and product handling safety procedures align with yours to eliminate confusion and minimise risk.

Infrastructure Solutions

In addition to our standard range of processed reinforcing bar and cut and bent reinforcing mesh, InfraBuild Construction Solutions has a number of infrastructure solutions to provide you with the opportunity to save money, time and effort.

Staged Construction Efficiencies

Whether it is a staged construction or column-to-wall connections, utilising ReidBar™ with coupler systems allows continuous reinforcing through the slab. Simplifying detailing and reducing congestion of reinforcing are just some of the many ways InfraBuild Construction Solutions can help improve the construction process.

Continuous Reinforced Concrete Pavements (CRCP)

By incorporating 500PLUS® BAMTEC® rollout carpets into CRCP projects such as highway construction, critical paths can be considerably shortened along with substantially reducing costs and excess labour on site.

Logistics Management and Safety

We look at details such as how prefabricated elements need to be lifted and handled, whether lifting points are required, whether loads have to be pre-slung before they leave the yard and, if so, how and where. InfraBuild Construction Solutions understands these requirements to save you time and improve safety onsite.

Detailing and Scheduling

Accurate and timely scheduling is crucial in keeping a project running smoothly. InfraBuild Construction Solutions has the largest and most experienced scheduling team in Australia, available to ensure your project stays on track, on time and trouble free.

Project Management

InfraBuild Construction Solutions has dedicated project managers to work with your team to manage changes while keeping everyone informed and the project on schedule.

Prefab Columns and Cages

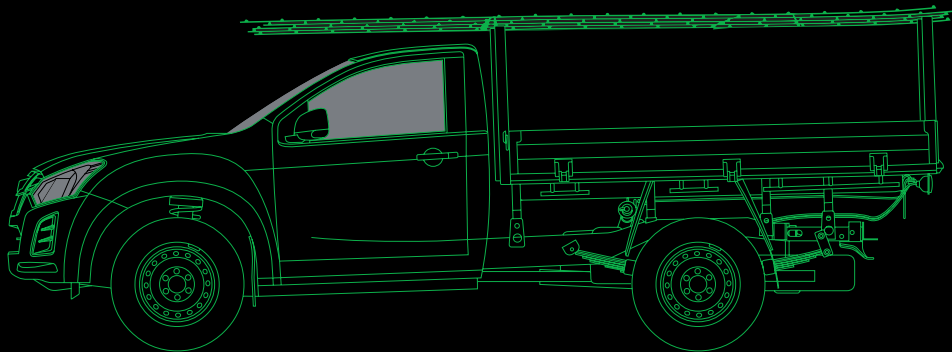
Offsite prefabrication significantly increases accuracy and speed on infrastructure projects. Reinforcing columns, cages and other reinforcing elements can be manufactured in various shapes, diameters and sizes, then transported to site when required, reducing onsite congestion.





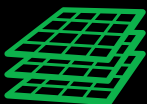
ONEMESH[®] Ribbed UTEMESH[®]

Perfect for smaller
projects



UTEMESH[®] 4 x 2 m sheets are designed to be transported by ute or small truck. They are ideal for slabs, driveways, patios and pavements on sites where manoeuvrability is limited.

Cost-efficient as well as practical, UTEMESH[®] can improve cover by up to 8 per cent through lap efficiency across and along the sheet.



Transportable by
ute or small truck



Can be carried by
a single person



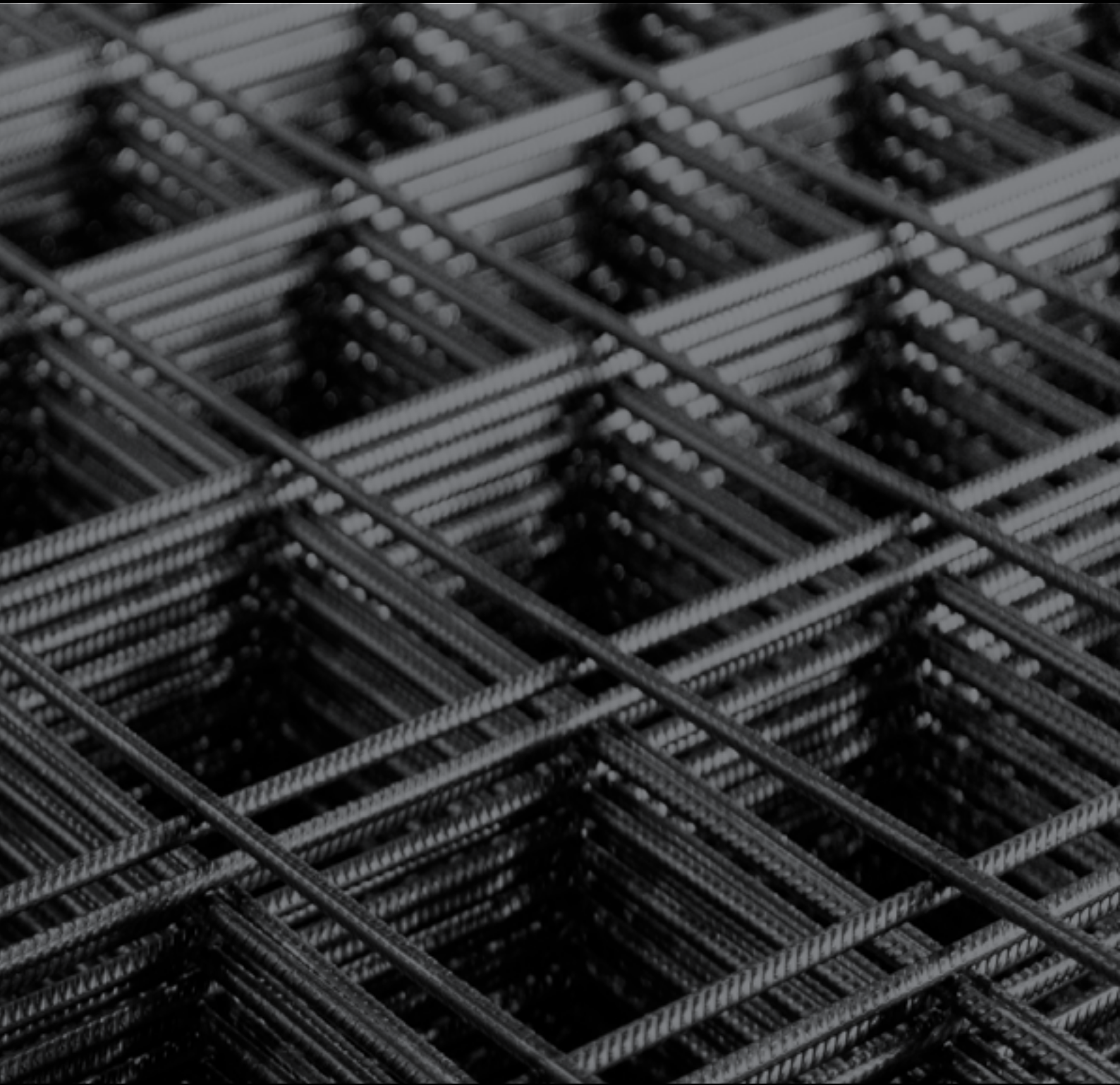
Cost-efficient
mesh cover



www.infrabuild.com

a company of
LIBERTY

Reinforcing Mesh



Reinforcing Mesh

ONEMESH® is a Class L reinforcing mesh made from 500 MPa welded ribbed wires.

ONEMESH® Properties Slab Mesh

Square Mesh (SL) with edge lap wires

Product Code		SL62	SL72	SL82	SL92	SL102	SL81
Cross Sectional Area	Longitudinal Wires	339	429	544	694	852	1134
	Cross Wires	848	1074	1361	1743	2126	2722

Rectangular Mesh (RL)

Product Code		RL718	RL818	RL918	RL1018	RL1118	RL1218
Cross Sectional Area	Longitudinal Wires	895	1134	1452	1772	2248	2781
	Cross Wires	1361	1361	1361	1361	1361	1361

Trench Mesh – 8 mm

Product Code		L8TM200	L8TM300	L8TM400
Width (mm)		200	300	400
Mass (kg)		6.8	9.2	11.6
Wire Diameter (mm)		7.6		
Longitudinal Wires	No.	3	4	5
	Cross Sectional Area (mm ²)	136	181	227

Trench Mesh – 11 mm

Product Code		L11TM200	L11TM300	L11TM400
Width (mm)		200	300	400
Mass (kg)		13.3	17.7	22.3
Wire Diameter (mm)		10.7		
Longitudinal Wires	No.	3	4	5
	Cross Sectional Area (mm ²)	270	360	450

Trench Mesh – 12 mm

Product Code		L12TM200	L12TM300	L12TM400
Width (mm)		200	300	400
Mass (kg)		15.8	21.2	26.5
Wire Diameter (mm)		11.9		
Longitudinal Wires	No.	3	4	5
	Cross Sectional Area (mm ²)	334	445	556

Note: InfraBuild reserve the right to change specifications without notice. Not all products are available at all InfraBuild Branches. Check with your local InfraBuild Branch for product availability. Warranties given on all accessories are manufacturers warranties only.

ONEMESH® Ribbed Square Mesh

Typical Uses

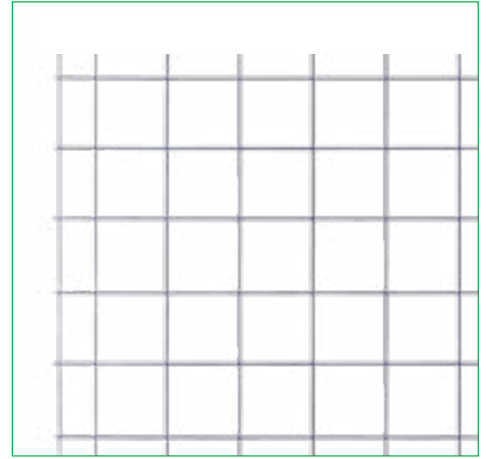
- Concrete pavements
- Flooring
- Precast concrete sections
- Driveways and patios

Features

- Multi-purpose square mesh
- Length may vary*
 - Non-structural flying ends removed for safety

Relevant Standards

- AS/NZS 4671 *Steel for the reinforcement of concrete*
- AS 3600 *Concrete structures*
- AS 3727 *Guide to residential pavements*
- AS 2870 *Residential slabs and footings*



ONEMESH® Ribbed Square Mesh – 500L					
Product Code	Std Unit	Longitudinal Wires**	Cross Wires**	Nominal Mass (kg)	Effective Area (m)
SL62	Sheet	10 x 6 @ 200 + 4 x 4.24 @ 100	30 x 6 @ 200	33	5.8 x 2.4
SL72		10 x 6.75 @ 200 + 4 x 4.75 @ 100	30 x 6.75 @ 200	41	
SL82		10 x 7.6 @ 200 + 4 x 5.35 @ 100	30 x 7.6 @ 200	52	
SL92		10 x 8.6 @ 200 + 4 x 6 @ 100	30 x 8.6 @ 200	66	
SL102		10 x 9.5 @ 200 + 4 x 6.75 @ 100	30 x 9.5 @ 200	80	
SL81		25 x 7.6 @ 100	60 x 7.6 @ 100	105	5.9 x 2.4

*Effective length is 5.8 m and 5.9 m between the outer most cross wires. Total length can be up to 6 m with non-structural fly ends

** Number of Wires x Diameter (mm) @ Spacing (mm)

ONEMESH® Ribbed Rectangular Mesh

Typical Uses

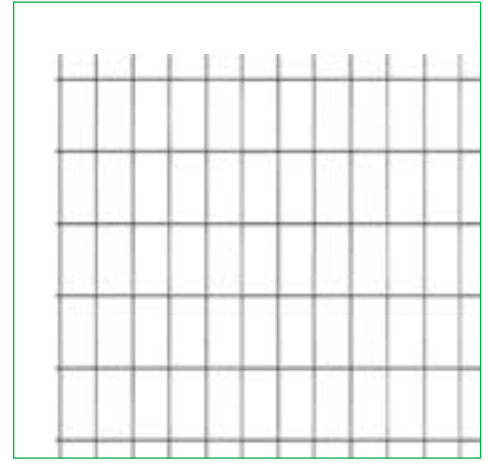
- Concrete pavements
- Flooring
- Precast concrete sections
- Suspended flooring

Features

- Multi-purpose rectangular mesh
- Length may vary*
 - Non-structural flying ends removed for safety

Relevant Standards

- AS/NZS 4671 *Steel for the reinforcement of concrete*
- AS 3600 *Concrete structures*
- AS 3727 *Guide to residential pavements*
- AS 2870 *Residential slabs and footings construction*



ONEMESH® Ribbed Rectangular Mesh – 500L

Product Code	Std Unit	Longitudinal Wires**	Cross Wires**	Nominal Mass (kg)	Effective Area (m)
RL718	Sheet	25 x 6.75 @ 100	30 x 7.6 @ 200	67	5.8 x 2.4
RL818		25 x 7.6 @ 100		79	
RL918		25 x 8.6 @ 100		93	
RL1018		25 x 9.5 @ 100		109	
RL1118		25 x 10.7 @ 100		130	
RL1218		25 x 11.9 @ 100		157	

*Effective length is 5.8 m between the outer most cross wires. Total length can be up to 6 m with non-structural fly ends

** Number of Wires x Diameter (mm) @ Spacing (mm)

Plain Mesh 4 mm

Typical Uses

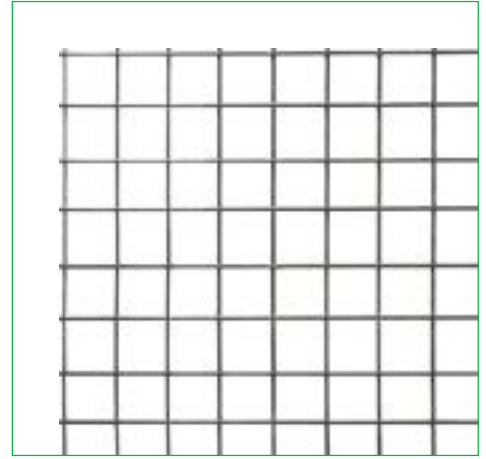
- Concrete tanks
- Precast concrete sections

Features

- Multi-purpose square mesh
- Available in sheets and rolls

Relevant Standards

- Note: not manufactured to AS/NZS 4671



Plain Square Mesh					
Product Code	Std Unit	Longitudinal Wires*	Cross Wires*	Mass (kg)	Dimensions (m)
F411	Roll	25 x 4 @ 100	601 x 4 @ 100	290	60 x 2.4
F41ST		23 x 4 @ 100		275	
F41	Sheet	25 x 4 @ 100	61 x 4 @ 100	29	6 x 2.4

* Number of Wires x Diameter (mm) @ Spacing (mm)

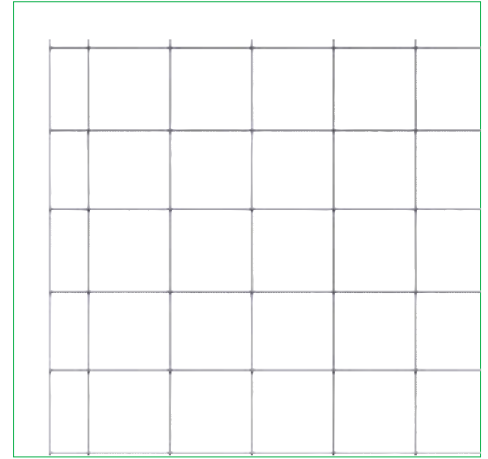
ONEMESH® Ribbed UTEMESH®

Typical Uses

- Concrete pavements
- Driveways and patios
- Alfresco slabs

Features

- Mesh for ute trays and small truck trays
- Versatile and lightweight
- Minimises wastage
- Legal to transport
- Easy to set up, place and tie
- Can be handled by one person
(using the correct handling techniques)



Relevant Standards

- AS/NZS 4671 *Steel for the reinforcement of concrete*
- AS 3600 *Concrete structures*
- AS 3727 *Guide to residential pavements*
- AS 2870 *Residential slabs and footings construction*

ONEMESH® Ribbed UTEMESH® 500L

Product Code	Std Unit	Longitudinal Wires*	Cross Wires*	Mass (kg)	Dimensions (m)
SL62UTE	Sheet	8 x 6 @ 200 +4 x 4.24 @ 100	20 x 6 @ 200	18	4 x 2
SL72UTE		8 x 6.75 @ 200 +4 x 4.75 @ 100	20 x 6.75 @ 200	23	
SL82UTE		8 x 7.6 @ 200 +4 x 5.35 @ 100	20 x 7.6 @ 200	30	

* Number of Wires x Diameter (mm) @ Spacing (mm)



Made-to-Size Mesh

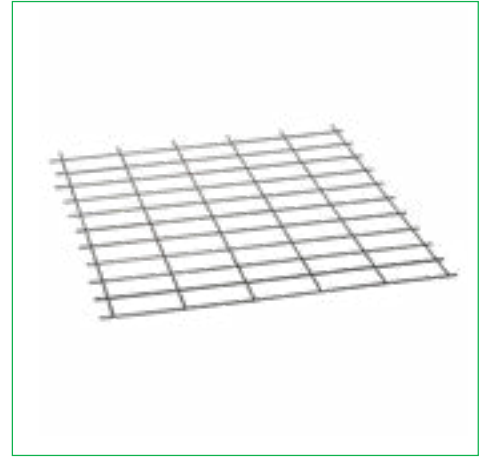
Made-to-Size (MTS) mesh is a customised mesh manufactured by InfraBuild Construction Solutions. Sheets up to 9 x 3 m are manufactured on state-of-the-art equipment. MTS mesh minimises waste and saves time and labour by eliminating excess carrying, cutting, tying and lapping of mesh sheets. MTS mesh can also create construction efficiency with precast tilt-up concrete panels manufactured on site. The machine is able to offer reduced flying ends and variable wire spacing in order to maximise the efficiency of mesh use.

Features

- Minimises waste
- Saves time and labour

Relevant Standards

- AS/NZS 4671 *Steel for the reinforcement of concrete*
- AS 3600 *Concrete structures*
- AS 3727 *Guide to residential pavements*
- AS 2870 *Residential slabs and footings construction*



Trench Mesh Reinforcing Mesh

Typical Uses

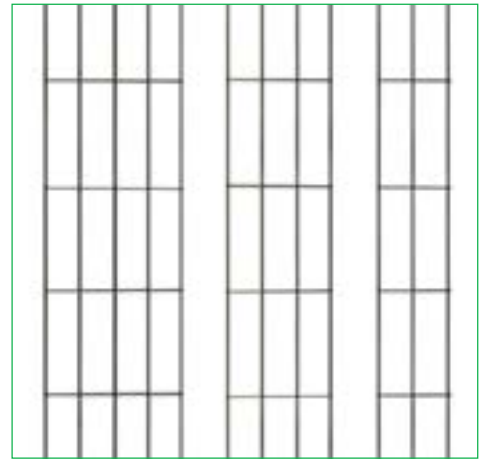
- Residential, industrial and commercial footing trenches

Features

- Available in a variety of sheet sizes and wire diameters

Relevant Standards

- AS/NZS 4671 *Steel for the reinforcement of concrete*
- AS 3600 *Concrete structures*
- AS 3727 *Guide to residential pavements*
- AS 2870 *Residential slabs and footings construction*



Trench Mesh 500L – 8 mm

Product Code	Std Unit	Longitudinal Wires*	Mass (kg)	Dimensions (m)
L8TM200	Sheet	3 × 7.6 @ 100	6.8	6 × 0.2
L8TM300		4 × 7.6 @ 100	9.2	6 × 0.3
L8TM400		5 × 7.6 @ 100	11.6	6 × 0.4
L8TM500		6 × 7.6 @ 100	13.9	6 × 0.5

Trench Mesh 500L – 11 mm

Product Code	Std Unit	Longitudinal Wires*	Mass (kg)	Dimensions (m)
L11TM200	Sheet	3 × 10.7 @ 100	13.3	6 × 0.2
L11TM300		4 × 10.7 @ 100	17.7	6 × 0.3
L11TM400		5 × 10.7 @ 100	22.3	6 × 0.4
L11TM500		6 × 10.7 @ 100	26.8	6 × 0.5

Trench Mesh 500L – 12 mm

Product Code	Std Unit	Longitudinal Wires*	Mass (kg)	Dimensions (m)
L12TM200	Sheet	3 × 11.9 @ 100	15.8	6 × 0.2
L12TM300		4 × 11.9 @ 100	21.2	6 × 0.3
L12TM400		5 × 11.9 @ 100	26.5	6 × 0.4
L12TM500		6 × 11.9 @ 100	31.9	6 × 0.5

Trench Mesh 500L – 16 mm

Product Code	Std Unit	Longitudinal Wires*	Mass (kg)	Dimensions (m)
FTM16200	Sheet	3 × 16 @ 100	30.6	6 × 0.2
FTM16300		4 × 16 @ 100	41.1	6 × 0.3

* Number of Wires x Diameter (mm) @ Spacing (mm)

Note: InfraBuild reserve the right to change specifications without notice. Not all products are available at all InfraBuild Branches. Check with your local InfraBuild Branch for product availability. Warranties given on all accessories are manufacturers warranties only.

Reinforcing Wire



Reinforcing Wire

Class L Smooth and Ribbed Wire

Typical Uses

- Reinforcing elements

Features

- Available in a range of diameters
- Wire products can be processed on request

Relevant Standards

- AS/NZS 4671 *Steel for the reinforcement of concrete*



Smooth Wire – 500L

Product Code	Wire Diameter (mm)	Length (m)	Mass (kg/m)	Length (m/t)*
W4S	3.97	6	0.10	10140
W5S	4.75		0.15	6490
W6.00S	6.23		0.25	4500
W7S	7.02		0.31	3310
W8.00S	7.90		0.40	2530
W10S	9.88		0.62	1580

Ribbed Wire – 500L

Product Code	Wire Diameter (mm)	Length (m)	Mass (kg/m)	Length (m/t)*
RW6.00S	6	6	0.23	4500
RW6.75S	6.75		0.29	3560
RW7.60S	7.6		0.39	2810
RW8.60S	8.6		0.47	2190
RW9.50S	9.5		0.59	1800
RW10.70S	10.7		0.74	1408
RW11.90S	11.9		0.89	1145

* Approximate

Fitments

Typical Uses

- Used to form footing cages and provide shear reinforcement in concrete beams
- Separates top and bottom layers of trench mesh

Features

- Available to suit a wide range of footing beam sizes



Fitments – 250N					
Product Code	Dimensions (mm)	Bar diameter (mm)	No. Per Bundle		
R6F2015	200 x 150	6.5	10		
R6F3015	300 x 150				
R6F4015	400 x 150				
R6F2020	200 x 200				
R6F2520	250 x 200				
R6F3020	300 x 200				
R6F3520	350 x 200				
R6F4525	450 x 250				
R6F3025	300 x 250				
R6F4025	400 x 250				
R6F3030	300 x 300				
R6F3530	350 x 300				
R6F4030	400 x 300				
R6F4530	450 x 300				
R6F4020	400 x 200				
R6F4035	400 x 350				
R6F4540	450 x 400				
R10F2020	200 x 200			10	10
R10F3020	300 x 200				
R10F3030	300 x 300				
R10F3520	350 x 200				
R10F4020	400 x 200				

Viribar®750

Viribar®750 is a new range of high-strength reinforcing steels with normal ductility for column fitments.

With 33 % less mass than 500N Standard fitments, Viribar®750 requires less raw material and energy to produce, and so is more sustainable. The reduced mass delivers savings in fixing costs and reduces transport and crange costs. It results in lighter manual handling with reduced risk of back injuries and other on-site risks, and has the potential to significantly improve the sustainability credentials of construction projects.

Produced in Equivalent Force Capacity diameters to make the direct substitution of Viribar®750 fitments for 500N fitments easy with no redesign requirements for the general case, it conforms to Australian Standards and is compliant to the National Construction Code (NCC) because it conforms to the Building Code of Australia (BCA).

Typical Uses

- Sustainable substitution fitment for 500N Standard fitments

Features

- Available in equivalent force capacity diameters that allow it to be directly substitutable for standard 500N fitment
- No redesign requirements for the general case
- Identifiable by a rolled-in mark showing the bar to 750N
- Recognised by GBCA and ISCA
- Lower transport, handling and fixing costs
- Reduced safety risk



Relevant Standards

- AS/NZS 4671 *Steel for the reinforcement of concrete*
- AS 3600:2018 Clause 10.7.3.3
- NCC and BCA deemed-to-satisfy

To lodge an enquiry, visit the **Viribar®750 enquiries page:**

www.infrabuild.com/en-au/resource-centre/forms/viribar-enquiries/



Substitution Table:

Equivalent Diameters (mm)			Minimum Capacity (kN) $A_{b,fit} \times f_{sy,f}$
Standard $f_{sy,f} = 500$ MPa	Viribar®750 $f_{sy,f} = 750$ MPa	Viribar®750 Designation	
10	8.2	V8.2	39.3
12	9.8	V9.8	56.5
16	13.1	V13	100.5

Mass savings using Viribar™750 vs equivalent 500 MPa fitments:

Viribar®750		500 MPa		Mass Saving (kg/m)	Saving (%)
Designation	Mass (kg/m)	Designation	Mass (kg/m)		
V8.2	0.43	N10	0.64	0.21	33
V9.8	0.62	N12	0.93	0.31	33
V13	1.10	N16	1.65	0.55	33

Note: InfraBuild reserve the right to change specifications without notice. Not all products are available at all InfraBuild Branches. Check with your local InfraBuild Branch for product availability. Warranties given on all accessories are manufacturers warranties only.



VIRIBAR[®] 750

A new range of high-strength reinforcing steels with normal ductility for column fitments



With 33% less mass than 500N Standard fitments, Viribar™ 750 is more sustainable, delivers savings in fixing costs and reduces transport and crange costs. The reduced mass of Viribar™ 750 also results in lighter manual handling with reduced risk of back injuries and other on-site risks.



Improved sustainability credentials



Lower transport, handling and fixing costs



Reduced safety risk



www.infrabuild.com

a company of
LIBERTY

Fabricated Cages

Fabricated cages increase the speed of installation for various footing applications. Available in Class N bar or Class L wire, fabricated Z cages are available in heights from 200 – 500 mm for bar cages and 200 – 400 mm for wire cages.

Fabricated Z Cage

Typical Uses

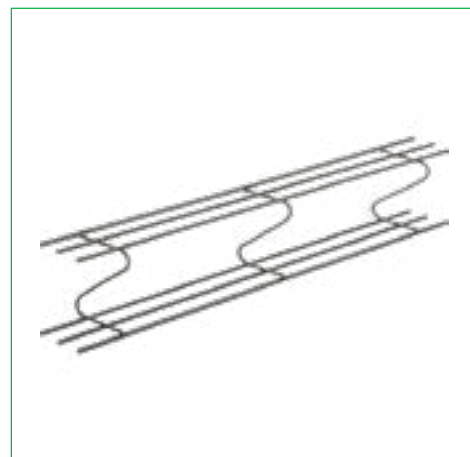
- Z cages provide reinforcing for various concrete strip footing applications

Features

- Increase the speed of installation for various footing applications

Relevant Standards

- AS/NZS 4671 *Steel for the reinforcement of concrete*
- AS 2870 *Residential slabs and footings construction*



Fabricated Z Cage – 500L

Product Code	No. of Wires	Height (mm)	Width (mm)
ZC111	6 x RW10.70	200	200
ZC711		300	
ZC811		400	
ZC11	8 x RW10.70	200	300
ZC18		300	

Fabricated Z Cage – 500N

Product Code	No. of Bars	Height (mm)	Width (mm)
ZC4Y	4 x N12	200	200
ZCY12435		350	150
ZC9Y	6 x N12	300	200
ZC10Y		400	
ZC12635		350	150
ZC11Y		500	200
ZC16Y	6 x N16		



Note: InfraBuild reserve the right to change specifications without notice. Not all products are available at all InfraBuild Branches. Check with your local InfraBuild Branch for product availability. Warranties given on all accessories are manufacturers warranties only.

Footing Bars

Features

- Provides a positive connection between the slab and the footing beam reinforcing

Relevant Standards

- AS/NZS 4671 *Steel for the reinforcement of concrete*
- AS 2870 *Residential slabs and footings construction*



Z Bar – 250N

Product Code	Wire Diameter (mm)	Dimensions (mm)	No. Per Bundle
R10Z203030	10	200 x 300 x 300	25
R10Z203530		200 x 350 x 300	
R10Z204030		200 x 400 x 300	
R10Z204530		200 x 450 x 300	
R10Z2032		200 x 320 x 200	

Non-Standard Wire Fitments

Typical Uses

- Used to form footing cages and provide shear reinforcement in concrete beams
- Separates top and bottom layers of trench mesh

Features

- Available to suit a wide range of footing beam sizes



Wire Fitments – 500L

Product Code	Dimensions (mm)	Wire Diameter (mm)
W6F	Variable	6
W8F		8
W10F		10

Footing Cages

Typical Uses

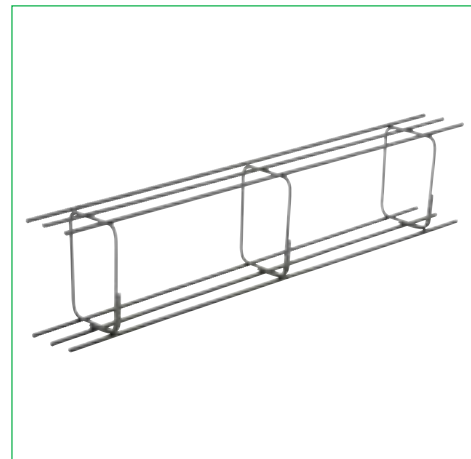
- Z cages provide reinforcing for various concrete strip footing applications

Features

- Increase the speed of installation for various footing applications

Relevant Standards

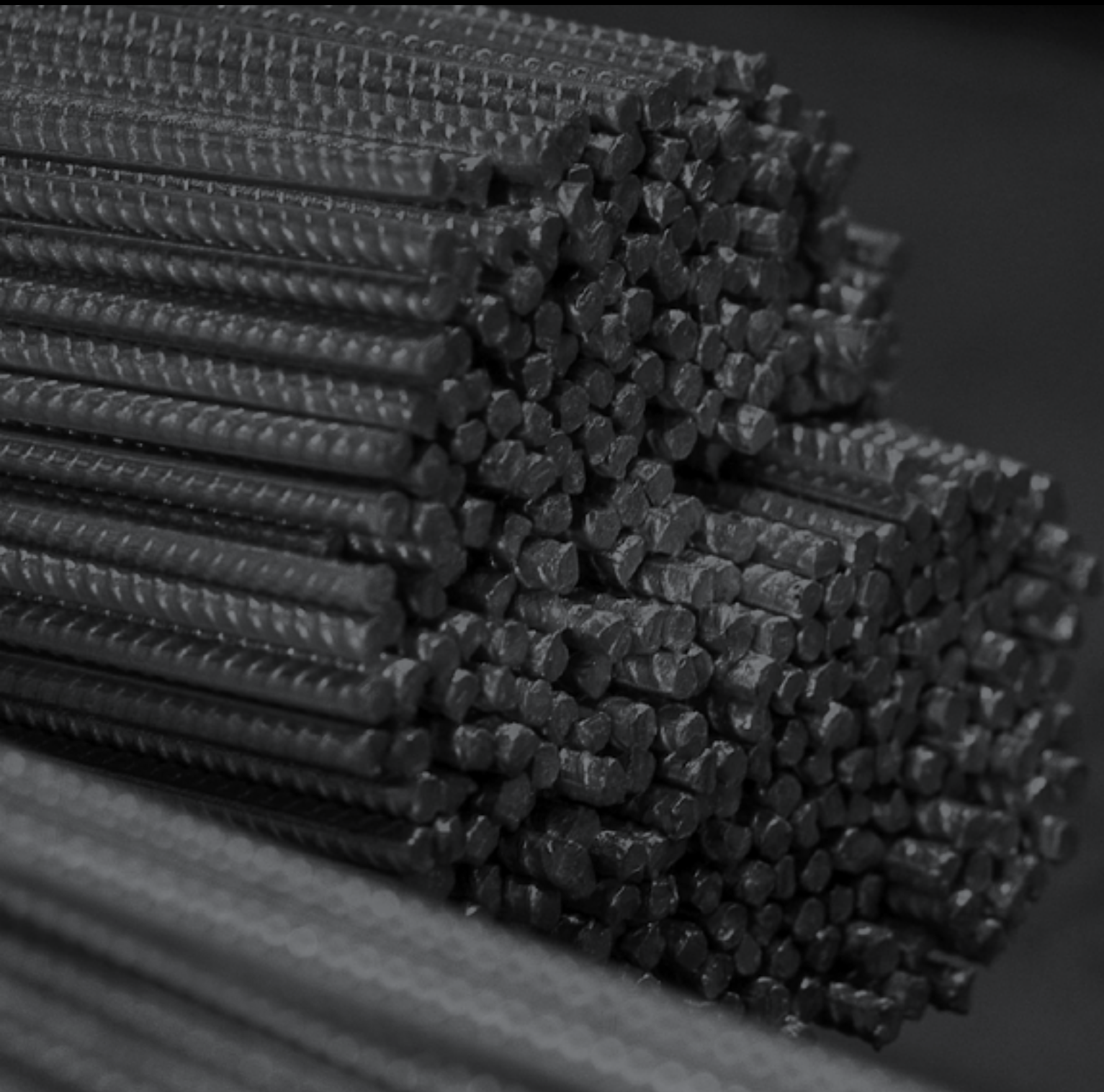
- AS/NZS 4671 *Steel for the reinforcement of concrete*
- AS 2870 *Residential slabs and footings construction*



Footing Cages								
Depth (mm)	Product Code	L8TM Top & Bottom		L11TM Top & Bottom		L12TM Top & Bottom		L8TM200 Top & L11TM200 Bottom
		Cage Width (mm)						
		200	300	200	300	200	300	200
200	SE QLD	ZC110	ZC12	ZC111	ZC11	–	–	–
	NSW	8ZC2020	8TC3020	11ZC2020	11TC3020	12ZC020	–	–
300	SE QLD	ZC210	ZC17	ZC711	ZC18	ZC9Y	–	ZC7A
	NSW	8ZC2028	8TC3030	11ZC2028	11TC3030	12ZC2028	12TC3028	–
400	SE QLD	ZC310	FC19	ZC811	FC20	–	–	FC8A
	NSW	8ZC2040	–	11ZC2040	–	12ZC2040	–	–

Note: Standard length = 6 m

Reinforcing Bar



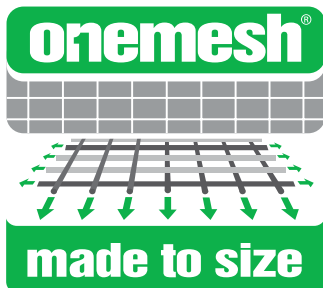
Rebar and REOMESH®

Identification Markings



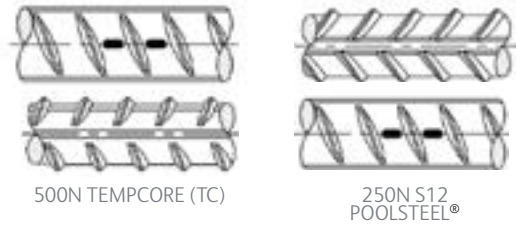
Identification markings are rolled into the different types of rebar and the wire in REOMESH® so the manufacturing facility of origin and steel type can be identified.

The identifiers for rebar have been standardised as a combination of horizontal marks placed between the ribs at intervals as shown to the right:



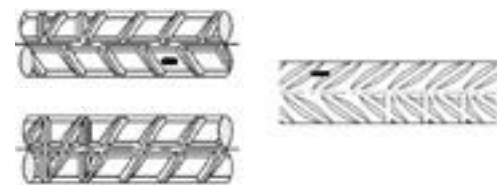
The identifiers for REOMESH® have been standardised as a combination of horizontal and diagonal marks placed between the ribs at intervals. Before 2010, InfraBuild rolled the word 'one' into wire for REOMESH®.

Sydney Bar Mill



Newcastle Rod Mill

500N MICROALLOY (MA)



Laverton Bar Mill

500N TEMPCORE (TC)



Laverton Bar Mill

500N MICROALLOY (MA)



Reinforcing wire/mesh identifiers for manufacturing facilities

AS/NZS 4671 Grade 500L: 5 – 12 mm

Brisbane – Acacia Ridge™	- / -
Sydney – Revesby™	- \ -
Melbourne – Sunshine™	// -

Number of Bars	Cross sectional area (mm ²)								
	Bar diameter (mm)								
	10	12	16	20	24	28	32	36	40
1	79	113	201	314	452	616	804	1018	1257
2	157	226	402	628	905	1232	1608	2036	2513
3	236	339	603	942	1357	1847	2413	3054	3770
4	314	452	804	1257	1810	2463	3217	4072	5027
5	393	565	1005	1571	2262	3079	4021	5089	6283
6	471	679	1206	1885	2714	3695	4825	6107	7540
7	550	792	1407	2199	3167	4310	5630	7125	8796
8	628	905	1608	2513	3619	4926	6434	8143	10053
9	707	1018	1810	2827	4072	5542	7238	9161	11310
10	785	1131	2011	3142	4524	6158	8042	10179	12566

Bar Spacing (mm)	Cross sectional area per unit width (mm ² /m)								
	Bar diameter (mm)								
	10	12	16	20	24	28	32	36	40
100	790	1130	2010	3140	4520	6160	8040	10180	12570
125	632	904	1608	2512	3616	4928	6432	8144	10056
150	527	753	1340	2093	3013	4107	5360	6787	8380
175	451	646	1149	1794	2583	3520	4594	5817	7183
200	395	565	1005	1570	2260	3080	4020	5090	6285
225	351	502	893	1396	2009	2738	3573	4524	5587
250	316	452	804	1256	1808	2464	3216	4072	5028
275	287	411	731	1142	1644	2240	2924	3702	4571
300	263	377	670	1047	1507	2053	2680	3393	4190

Bar Diameter (mm)	Approximate number of bars per tonne						
	Length (m)						
	6	7	8	9	10	12	15
10	258	–	–	–	–	–	–
12	179	153	134	119	107	89	–
16	100	86	75	67	60	50	–
20	64	55	48	43	38	32	25
24	44	38	33	29	26	22	17
28	33	28	24	22	19	16	13
32	25	21	18	16	15	12	10
36	19	17	14	13	11	9	7
40	–	–	–	–	–	–	6

Shaded areas are standard stock lengths. Not all stock lengths are available at InfraBuild Construction Solutions branches.

Note: InfraBuild reserve the right to change specifications without notice. Not all products are available at all InfraBuild Branches. Check with your local InfraBuild Branch for product availability. Warranties given on all accessories are manufacturers warranties only.

Positioning Tolerances for Reinforcement to AS 3600

In accordance with Clause 17.5.3:

	Application	Allowable Deviation
Position controlled by cover	Beams, slabs, columns and walls	-5, +10 mm
	Slabs on ground	-10, +20 mm
	Footings cast in ground	-10, +40 mm
Position not controlled by cover	End of reinforcement	50 mm
	Spacing of bars or fitments in walls, slabs, beams or columns	10% of the specified spacing or 15 mm whichever is greater

Note: A positive value indicates the amount the cover may increase and a negative value indicates the amount the cover may decrease relative to the specified cover.

Calculating Reinforcing and Accessory Quantities

Accessories for REOMESH®

Mesh Round Up:

Slab Area (m²) ÷ 12.5 = No. of 6 x 2.4 m sheets

Bar Chairs:

Slab Area (m²) ÷ 0.56 = No. of bar chairs

Polyethylene Film:

Slab Area (m²) ÷ 180 = No. of 200 m² rolls

Duct Tape: 2 rolls per 200 m² roll of Polyethylene film

Accessories for Rebar

Bar Chairs:

Slab area (m²) ÷ 0.56 = No. of bar chairs

Tie Wire:

3 kg per tonne of rebar (for bar sizes up to 20 mm)

1.5 kg per tonne of rebar (for bar sizes above 20 mm)

Accessories for Strip Footings

Support Chairs:

7 chairs per 6 m length

Rebar

Number of Bars:

Round Up $\left(\frac{\text{Coverage Length (m)}}{\text{Bar Spacing (m)}} \right) + 1$

Bar Length:

Concrete dimension (mm) –
Σ {cover each end (mm)}

Stock Bars:

Allow for lapping of bars when calculating No. of bars.

Spirals

Diameter:

Concrete dimension (mm) - cover each side (mm)

Pitch:

Specified on drawing. Maximum of half diameter of spirals

No. of Turns:

Round Up

$$\left(\frac{\text{Coverage Length (m)}}{\text{Bar Spacing (m)}} \right) + 4$$

Processing Tolerances for Reinforcement to AS 3600

The nominal internal diameter of a reinforcement bend or hook shall be taken as the diameter of the pin around which the reinforcement is bent. The diameter of the pin shall be not less than the value determined from the table as appropriate.

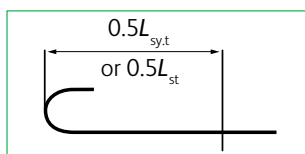
- Must be indicated on drawing that bars are to be straightened or rebent
- InfraBuild recommends that 500PLUS® TEMPCORE® be used as pull-out bars rather than MicroAlloy or ContiStretch rebar.

Standard Processing Tolerances:

Product Use	Tolerance	Allowable Tolerance (mm)
On any overall dimension for bars and mesh except where used as a fitment	≤ 600 mm overall	-25, +0
	> 600 mm overall	-40, +0
On any overall dimension of bars and mesh used as a fitment	Deformed bars and mesh	-15, +0
	Plain round bars and wire	-10, +0
For offset dimension of a cranked column bar		-0, +10

500PLUS® Rebar Standard Hooks and Cogs

In accordance with Clause 13.1.2.6 of AS 3600, a standard hook or cog provides half of the tensile development length for that end of the bar, measured from the outside of the hook/cog. In accordance with Clause 13.1.2.7, their details are as follows:



Standard Hook

A hook consisting of a 180° bend with a nominal internal diameter complying with Clause 17.2.3.2 plus a straight extension of $4d_b$ or 70 mm, whichever is greater.



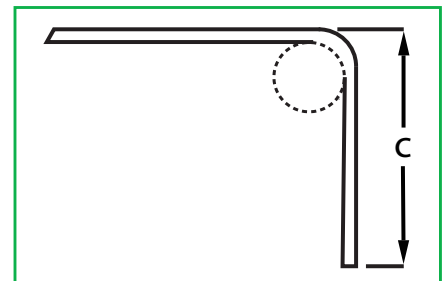
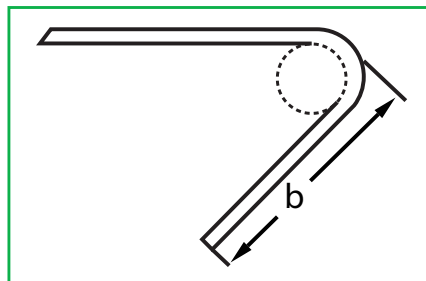
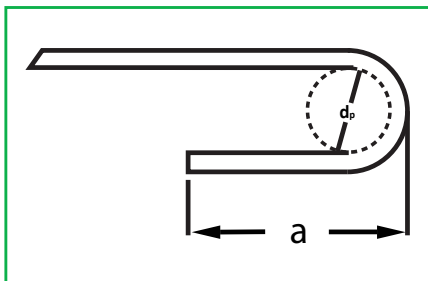
Standard Cog

A cog consisting of a 90° bend with a nominal internal diameter complying with Clause 17.2.3.2 but not greater than $8d_b$ and having the same total length as required for a 180° hook of the same diameter bar.

Standard Hooks and Cogs to Clause 13.1.2.7 of AS 3600








Minimum Dimensions:

D500N bar diameter, d_b (mm)	Pin diameter factor (f_p) (Pin diameter $d_p = f_p d_b$)	180° hook	135° hook	90° cog
		a (mm)	b (mm)	c (mm)
10	4 for fitments	100	120	140
	5	105	130	155
12	4 for fitments	110	130	155
	5	115	145	170
16	4 for fitments	120	150	185
	5	130	165	205
20	4 for fitments	140	180	220
	5	150	200	245
24	4 for fitments	170	220	265
	5	180	240	295
28	5	210	280	345
32	5	240	320	395
36	5	270	355	440
40	5	300	395	490










Minimum Dimensions for Standard Shapes Processed to AS 3600

Minimum Dimensions (mm) for Class N 500PLUS® and Rebar standard shapes that can be processed complying with AS 3600:

Std Pin Size	5d _b		5d _b	5d _b	5d _b	5d _b	4d _b	
Rebar Type and Size								
	a	b	a	a	a	a	a	a
N10	130	80	170	130	150	130	400	140
N12	135	95	190	160	160	155	400	160
N16	150	125	220	210	210	210	420	210
N20	175	155	260	260	260	260	500	260
N24	205	185	315	315	315	315	550	315
N28	235	220	365	365	365	365	600	365
N32	265	250	420	420	420	420	800	420
N36	295	280	470	470	470	470	1000	–
N40	325	310	520	520	520	520	1200	–

Minimum Dimensions for Standard Shapes Processed to AS 3600

Minimum Dimensions (mm) for R rebar and standard shapes that can be processed complying with AS 3600:

Code Pin Size	4d _b		5d _b	5d _b	5d _b	5d _b	3d _b	
Rebar Type and Size								
	a	b	a	a	a	a	a	a
R6	165	50	200	80	90	80	150	105
R10	175	80	230	130	150	130	170	140
R12	185	90	250	155	160	155	200	160

The pin sizes used in this table are for hot-rolled bar, which are not to be subsequently straightened or rebent. Values indicated are a guide only and may vary depending on equipment of supply locations. Some values are governed by processing equipment rather than minimum standard requirements. If you require a shape smaller than indicated please contact your InfraBuild Construction Solutions representative.

Processing 500PLUS[®] Rebar and Wire to AS 3600

Technical Notes

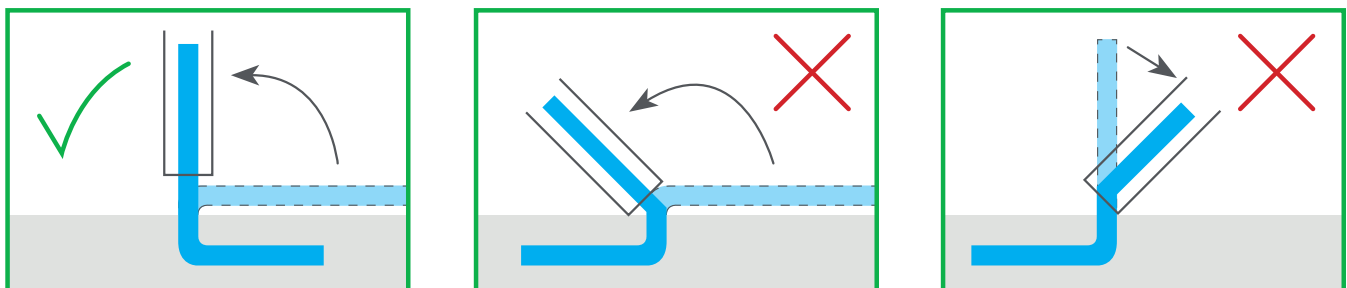
Rebar Bending and Rebending/Straightening

- Bending of 500PLUS[®] Rebar should be carried out in accordance with Clause 17.2.3 of AS 3600
- If engineers/builders request pin diameters smaller than those required by AS 3600, such bends can only be supplied if the engineer gives written approval to the order
- Rebending 500PLUS[®] Rebar on site – due to limitations of adequate rebending facilities on site, we recommend that the customer’s attention is drawn to the guidelines set out in AS 3600
- Care must be taken when bending, straightening or rebending is performed on a construction site. to ensure that the bend radii are not formed below the prescribed minimum sizes in AS 3600
- InfraBuild Construction Solutions recommends that 500PLUS[®] TEMPCORE[®] be used as pull-out bars rather than MicroAlloy or ContiStretch Rebar.

Bending Reinforcing Bars to Clause 17.2.3.3 – AS 3600:

Product Use	Product Description	Pin Size
(a) Fitments	Ribbed or round 500L wire and 250N rebar	3d _b
	D500N rebar	4d _b
(b) Other than specified in (c) or (d)	Reinforcement of any grade	5d _b
(c) Reinforcement in which the bend is intended to be straightened or rebent* (Note: not for galvanized)	≤ 16 mm diameter	4d _b
	20 or 24 mm diameter	5d _b
	≥ 28 mm diameter	6d _b
(d) Reinforcement that is galvanized or epoxy coated either before or after bending	≤ 16 mm diameter	5d _b
	≥ 20 mm diameter	8d _b

* A number of situations may arise where bars must be bent or rebent on site, or where pre-bent bars must be straightened. For smaller diameter bars (i.e. 10, 12 and 16 mm), this is preferably performed at ambient temperature. See the diagram below:



Diameter (mm)	AS 3600 Requirements (d_b)	Galvanized or Epoxy Coated Bars* (d_b)
≤ 16	5 generally, but 4 for fitments	5
≥ 20	5 generally, but 4 for fitments	8

* The bending limits shown in this column have been specified in AS 3600 to minimise spalling of the galvanized coating.

Diameter (mm)	AS 3600 Limits
≤ 16	$4d_b$
20 or 24	$5d_b$
≥ 28	$6d_b$

In accordance with Clause 17.2.3.1 of AS 3600, to cold bend D500N bars not exceeding 16 mm in diameter:

- The initial bend should be performed around a mandrel or former of diameter not less than $4d_b$
- Do not use impact blows to bend or rebend the steel
- Take care to minimise mechanical damage to the bar surface and visually inspect rebent area for cracks.

For larger diameter bars, the application of heat (e.g. from an acetylene flame) may be used to reduce the bending force, but a reduction in bar strength may result. Ref: AS 3600 Clause 17.2.3.1(b).

A pipe must not be used to make the initial bend, or to rebend back past the straight position. Rebending of bars that have been bent prior to galvanizing is not recommended, as cracking on the inside of the original bend may result.

Rebending or straightening should be performed using a powered bending tool, or a pipe with an internal diameter not greater than $2 \times$ the nominal bar diameter.

Heating and Welding 500PLUS® Rebar

After heating, the resultant ambient temperature properties of reinforcing steels may be significantly altered. This is an important consideration if the bars have been welded or heat has been applied to assist with bending or the bars have been subjected to heat from fire. To indicate the temperature during the heating or welding process the use of temperature indicator crayons is recommended.

Heating

Heating should be avoided if the original bar properties are required. Bending should always be around a former of the appropriate size (refer processing to AS 3600). AS 3600, Clause 17.2.3.1 states that reinforcement may be bent hot, provided that all of the following are complied with:

- i) the steel is heated uniformly through and beyond the portion to be bent
- ii) the temperature of the steel does not exceed 600°C
- iii) the bar is not cooled by quenching, and
- iv) if during heating the temperature of the bar exceeds 450°C, the characteristic Yield Stress (f_{sy}) of the steel after bending is taken as 250 MPa.

Welding

500PLUS® Rebar produced by the TEMPCORE®, MicroAlloyed and ContiStretch processes has a maximum carbon equivalent (CEV) of 0.46 and, as such, requires no pre-heating prior to welding. Pre-heating is not required when bars are welded in accordance with AS/NZS 1554.3 Part 3 – Welding of reinforcing steels. Hydrogen controlled electrodes are required for all weld types, and matching-strength electrodes are required for butt welds.

Note: Some types of welded splices can reduce the ductility of the connected bars.

Threading 500PLUS® Rebar

The design tensile capacities of fine-threaded 500PLUS® Rebar can be determined in accordance with AS 4100 Steel structures. Based on the results of testing, fine-threaded 500PLUS® Rebar has a reduced characteristic Yield Stress equal to 75 % of the normal characteristic Yield Stress (500 MPa) and a reduced characteristic tensile strength equal to 85 % of the lower characteristic tensile strength (540 MPa) based on the thread stress area.

It follows that InfraBuild Construction Solutions' 500PLUS® Rebar when cut with AS 1275 metric threads and fitted with AS 1112 ISO metric hexagon nuts property Class 5 nuts, has the values of design tensile capacity specified in the below table. These design

tensile capacities are based on the effective tensile stress areas (A_s) from AS 1275: Metric screw threads for fasteners, a strength reduction factor (Φ) = 0.8, and a characteristic tensile strength equal to $0.85 \times 540 = 459$ MPa. Design Tensile Capacity = $\Phi A_s \times 0.85 \times TS$ where $TS = 540$ MPa.

Bar Diameter (mm)	Normal Thread Size (mm)	Stress Area (mm ²)	500PLUS® Rebar Design Tensile Capacity (kN)
12	M10	58	21
16	M12	84	31
20	M16	157	58
24	M20	245	90
28	M24	353	130
32	M30	561	205
36	M33 [^]	694	255
40	M36	817	300

[^] Denotes second choice thread size. Nuts may be difficult to obtain. N.B. Engineers should be aware that threading reinforcing bars this way may reduce the ductility to less than the minimum requirements for Class N bars specified in AS/NZS 4671.

Reinforcing Bar

Deformed Bar

Deformed reinforcing bar, also known as rebar, is a Class N reinforcing bar. It is available in 500 MPa in 10 – 50 mm bar diameters. In addition to stock lengths, rebar can be processed to suit your project requirements. Always consult an engineer before choosing the bar suited for your application.

Typical Uses

- Used to increase tensile strength in various concrete applications

Features

- Available in a range of stock lengths, commonly stocked in 6, 9 or 12 m lengths
- Diameters ranging 10 – 50 mm

Relevant Standards

- AS/NZS 4671 *Steel for the reinforcement of concrete*
- AS 3600 *Concrete structures*
- AS 5100.5 *Bridge design: Concrete*



Deformed Reinforcing Bar – Class N

Product Code	Mass (kg/m)	Length* (m/t)
N10S	0.64	1552
N12S	0.93	1077
N16S	1.65	605
N20S	2.58	387
N24S	3.71	269
N28S	5.05	198
N32S	6.59	151
N36S	8.35	119
N40S**	10.3	97
N50S**	16.02	64

* Approximate ** Available only on request – lead time required

Note: InfraBuild reserve the right to change specifications without notice. Not all products are available at all InfraBuild Branches. Check with your local InfraBuild Branch for product availability. Warranties given on all accessories are manufacturers warranties only.

Plain Reinforcing Round Bar

Round rebar is a Class N (normal ductility) bar and is available in 250 MPa for diameters 10 – 36 mm.

In addition to stock lengths, round bar can be processed to suit your project requirements. Always consult an engineer before choosing the bar suited for your application.

Typical Uses

- Commonly used to manufacture fitments and dowel bars

Features

- Available in a range of stock lengths, commonly stocked in 6 m lengths (available in other lengths on request)
- Diameters ranging 10 – 36 mm

Relevant Standards

- AS/NZS 4671 Steel for the reinforcement of concrete



Plain Reinforcing Round Bar – 250R

Product Code	Mass (kg/m)	Length* (m/t)
R10S	0.64	1552
R12S	0.93	1077
R16S	1.65	606
R20S	2.58	387
R24S	3.71	269
R27S	4.69	213
R30S	5.8	172
R33S	7.01	143
R36S	8.35	119

* Approximate

POOLSTEEL®

POOLSTEEL® Rebar (reinforcing bar) has been specifically developed for use in concrete swimming pools.

Typical Uses

- In-ground pools

Features

- 250N Grade 12 mm diameter
- Can be bent on-site for design flexibility
- ACRS Certified

Relevant Standards

- AS/NZS 4671 *Steel for the reinforcement of concrete*



POOLSTEEL® (S12) – 250N

Product Code	Mass (kg/m)	Stock Lengths (m)	Bars per Tonne*
S12S6	0.93	6	179
S12S9		9	119

* Approximate



Note: InfraBuild reserve the right to change specifications without notice. Not all products are available at all InfraBuild Branches. Check with your local InfraBuild Branch for product availability. Warranties given on all accessories are manufacturers warranties only.



POOLSTEEL®

Independently certified and trusted
for use in all Australian pools



POOLSTEEL® 250N Grade 12 mm diameter is preferred by steel fixers. Its durability has been proven in thousands of swimming pools across Australia over many years.

POOLSTEEL® meets AS/NZS 4671 and is ACRS independently certified.



www.infrabuild.com

a company of
 LIBERTY

Metric Threaded Bar

Typical Uses

- General purpose fastening in commercial and infrastructure projects

Features

- Available in 12 mm, 16 mm and 20 mm bar diameters
- Various lengths available



Metric Threaded Bar			
Product Code	Bar diameter (mm)	Length (mm)	Mass (kg)
N12TB50	12	500	0.46
N12TB65*		650	0.59
N16TB55	16	550	0.9
N16TB60		600	0.97
N16TB75*		750	1.23
N20TB60	20	600	1.64
N20TB65		650	
N20TB90*		900	2.31

* QLD Stock Codes

Wall Bars/Starter Bars

Typical Uses

- Tying concrete or masonry walls to slabs and footings

Features

- Available in 12 mm and 16 mm bar diameters
- Various lengths available

Relevant Standards

- AS/NZS 4671 *Steel for the reinforcement of concrete*



Wall Bars/Starter Bars			
Product Code	Bar diameter (mm)	Dimensions (mm)	Mass (kg)
N12L5050	12	500 x 500	0.9
N12L8020		800 x 200	
N12L10015		1000 x 150	1.05
N12L10020		1000 x 200	
N12L6060		600 x 600	1.1
N12L10515		1050 x 150	
N12L26015		2600 x 150	2.5
N16L7070		16	700 x 700
N16L8080	800 x 800		2.59
N16L10018	1000 x 180		1.91
N16L6060	600 x 600		1.94
N16L26015	2600 x 150		4.45

Starter Bar (Darwin Only)			
Product Code	Bar diameter (mm)	Dimensions (mm)	Mass (kg)
N12HL100150	12	1000 x 150	1.24
N12V10045		65 x 450 x 100	0.56





Reinventing reinforcing for a sustainable future

InfraBuild Construction Solutions is committed to providing reinforcing steel solutions to enable safe, efficient and sustainable construction throughout Australia.

Building for sustainability

Sustainability is no longer a negotiable in construction – it is essential to the building of a more liveable, functional infrastructure and built environment for a future full of possibilities.

Sustainable steelmaking

We lead the development of groundbreaking innovations in lighter, stronger products and the use of recycled steel and sustainably sourced energy in the manufacture of reinforcing steel. Our team bring expertise in optimising materials usage. Our range of prefabricated products and solutions help minimise waste in construction.

Sustainability credentials

Our products are supplied with Environmental Product Declarations recognised by the Infrastructure Sustainability Council of Australia (ISCA) and the Green Building Council of Australia (GBCA) to support customers' sustainability objectives.

Collaboration for sustainability

Our team collaborates with customers early in the design stage to identify and recommend design solutions for reinforcing material optimisation. And we understand the importance of consistency and reliability in delivering to our customers what we promise.

**We believe in a future full of possibilities.
InfraBuild Construction Solutions.
Building Possibilities.**

www.infrabuild.com

Supporting information and environmental claims for specific products given above can be found at www.infrabuild.com

*Over the next decade
Liberty will transition
its blast furnaces to
Electric Arc Furnaces
(EAFs), invest in new
EAFs and harness
breakthrough
technology such
as hydrogen
steelmaking.*



Prefabrication Solutions

Optimised performance with reduced waste



InfraBuild Construction Solutions offers a wide range of offsite reinforcing prefabrication solutions that help optimise the efficiency, safety and sustainability of construction projects. Our wide range of products and services, which include columns, cages, mesh, mats and other reinforcing elements, and come in various sizes, shapes and diameters, are used in commercial and infrastructure projects around Australia.



Minimise onsite risks



Earn Green Star® and IS rating points



Construction accuracy and speed

ONEMESH®

Made-to-size engineered mesh minimises duplication of reinforcing steel and scrap losses that result from excess lapping and trimming of mesh sheets.

BARMAT®

Engineered mat with customisable variable bar sizing and spacing, made to bespoke specifications. Offers efficiencies and reduction of waste.

BAMTEC®

Engineered reinforcing bar carpet, with variable bar diameter, length and spacing reduces the need for off-cuts associated with traditional onsite steel-fixing.

PROCAGE™, PROPILE™, CUSTOMCAGE™ and ROMTECH®

Prefabricated cage column and lattice solutions that enable optimised size and positioning of reinforcing steel.

Prefabrication Solutions





Cage Diameter (mm) Machine Made	Cage Diameter (mm) Manual Fabrication	Cage Length (m)	Bar Diameter (mm)	Spiral Diameter (mm)	Spiral Pitch (mm)
250 – 1950	160 – 2500	Up to 15 m	12 – 40	10, 12, 16 & 20	50 – 300

Markets

- Commercial, Civil and Infrastructure, Residential, Industrial

Certification

- Lifting certification available upon request

Application

- Bored piers, precast piles

Benefits

- Enhanced quality – made in controlled environment
- Improved efficiency
- Reduction of waste and on-site labour
- Speed and simplicity of construction
- Increased site safety
- Customised to meet project requirements

Note: Please check with your local InfraBuild Construction Solutions representative for availability of products and services and to discuss your requirements.

Fabricated using machine and manual processes, PROPILE™ provides accuracy, flexibility and robustness. Plus, downtime on site is reduced because off-site fabrication isn't weather dependent.





CUSTOMCAGE

Cage Configurations	Cage Length (m)	Bar Diameter (mm)
Custom Shape	Up to 15 m	10 – 40

Markets

- Commercial, Civil and Infrastructure, Residential, Industrial, High-rise

Certification

- Lifting certification available upon request

Application

- Columns, headstocks, beams, footings, diaphragm walls

Benefits

- Customised to meet project specific requirements
- Enhanced quality – made in controlled environment
- Reduction of waste and on-site labour
- Speed and simplicity of construction
- Increased site safety
- Improved efficiency

Note: Please check with your local InfraBuild Construction Solutions representative for availability of products and services and to discuss your requirements.

Factory fabricated using manual processes, CUSTOMCAGE™ is customised to suit your project requirements.





Mat Width (m)	Mat Length (m)	Configuration	Diameter (mm)	Bar length and spacing
0.8 – 4	0.8 – 12	Any shape with penetrations. Perimeter shapes and angles also available	8, 10, 12, 16, 20 (Class N) 7.6, 8.55, 9.75 (Class L)	Variable to Suit

Add On: trimmer and additional bars to suit design.

Markets

- Precast, Commercial, Civil and Infrastructure, High-rise

Certification

- Lifting certification available upon request

Application

- Precast panels and culverts, parapet, diaphragm walls, shotcrete walls, suspended slab, sound barrier

Benefits

- Significantly reduces steel fixing
- Potential for reduced concrete
- Tighter tolerances with offsite prefabrication
- Reduces lapping
- Less offcuts and wastage
- Reduces congestion on site
- Improves safety through less handling
- Increases site safety
- Off Coil manufacturing minimises waste

Note: Can be bent to shape.

BARMAT® is a customised prefab bar mat offering. Fabricated offsite, using automated machine manufacturing that allows steel to be prefabricated with variable bar sizes, and spacing in a variety of mat shapes, configurations and sizes.



Cage Configurations	Cage Length (m)	Bar Diameter (mm)
Round, rectangular, square	Up to 15 m	10 – 40

Markets

- Commercial, Civil and Infrastructure, Residential, Industrial, High-rise

Certification

- Lifting certification available upon request

Application

- Columns, beams, footings, walls, pile caps

Benefits

- Enhanced quality – made in controlled environment
- Improved efficiency
- Reduction of waste and on-site labour
- Speed and simplicity of construction
- Increased site safety
- Customised to meet project requirements

Note: Please check with your local InfraBuild Construction Solutions representative for availability of products and services and to discuss your requirements.

With customisable cage shape options, bar diameters and lengths available, PROCAGE™ is manufactured bespoke to match individual project needs for above ground applications.





Carpet Length (m)	Bar Diameter (mm)	Bar spacing	Carpet Mass (t)
Up to 12 m	10 – 32	Variable to Suit	Up to 1.5

Markets

- Commercial, Civil and Infrastructure, Industrial, Precast

Certification

- Lifting certification available upon request

Application

- Slab-on-ground, suspended slab, Continuously Reinforced Concrete Pavement (CRCP), wind farm foundation, precast panels

Benefits

- Design efficiency – fabricated to specified bar centres
- Reduction of waste and on-site steel fixers
- Speedy, efficiency and accuracy of site installation
- Increased site safety
- Enhanced quality

Note: Please check with your local InfraBuild Construction Solutions representative for availability of products and services and to discuss your requirements.

BAMTEC® reinforcing rollout bar carpets are used to speed up construction and reduce steelfixing on commercial and infrastructure applications.



Lattice Girder Configuration	Length (m)	Truss and Cord Diameter (mm)
Manufactured to bespoke design	Custom length	12 – 32

Markets

- Civil and Infrastructure

Certification

- Lifting certification available upon request

Application

- Strata control, tunnel and ground support (hard and soft ground conditions)

Benefits

- Customised to meet project-specific requirements
- High strength-to-weight ratio
- Simplified transport and handling due to lightweight sections
- Ease of installation due to simple connection details
- Enhanced quality – made in a controlled environment
- Ease of installation due to simple connection details
- Increased site safety

Note: Please check with your local InfraBuild Construction Solutions representative for availability of products and services and to discuss your requirements.

ROMTECH® is an innovative tunnel support system of rebar lattice girders.



Other Mesh



HANDIMESH®

HANDIMESH® is a versatile, general purpose welded mesh used for a wide range of applications and DIY projects such as fencing, shelving, security applications, guarding, trailers and gates.

HANDIMESH® Sheet

Typical Uses

- Used from simple domestic applications to commercial and industrial projects
- Ideal for pet enclosures, garden arches, security screens, wine racks, storage bins, fishpond covers, shelving, guarding, fencing, trailer enclosures
- Handi-sized sheets are ideal for small jobs



HANDIMESH® Sheet – Black

Product Code	Std Unit	Longitudinal Wires*	Cross Wires*	Mass (kg)	Dimensions (m)
B224	Sheet	49 x 4 @ 50	61 x 4 @ 50	29	3 x 2.4
B234			41 x 4 @ 75	24	
B445		25 x 4.75 @ 100	31 x 4.75 @ 100	23	

HANDIMESH® Sheet – Galvanized

Product Code	Std Unit	Longitudinal Wires*	Cross Wires*	Mass (kg)	Dimensions (m)
G112A	Sheet	97 x 2.5 @ 25	121 x 2.5 @ 25	22	3 x 2.4
G122A			61 x 2.5 @ 50	17	
G113		97 x 3.2 @ 25	121 x 3.2 @ 25	36	
G123			61 x 3.2 @ 50	27	
G234		49 x 4 @ 50	41 x 4 @ 75	24	
G235		49 x 5 @ 50	41 x 5 @ 75	38	
G224		49 x 4 @ 50	61 x 4 @ 50	29	
G225		49 x 5 @ 50	61 x 5 @ 50	45	
G445		25 x 5 @ 100	31 x 5 @ 100	23	
G445A		25 x 5.6 @ 100	31 x 5.6 @ 100	29	
G465A				21 x 5.6 @ 150	

* Number of Wires x Diameter (mm) @ Spacing (mm).

Note: InfraBuild reserve the right to change specifications without notice. Not all products are available at all InfraBuild Branches. Check with your local InfraBuild Branch for product availability. Warranties given on all accessories are manufacturers warranties only.

HANDIMESH® Sheet Handi Sized – Galvanized

Product Code	Std Unit	Longitudinal Wires*	Cross Wires*	Mass (kg)	Dimensions (m)
G112AHS	Sheet	81 @ 25	49 x 2.5 @ 25	8	2 x 1.2
G122AHS			25 x 2.5 @ 50	6	
G224HS		41 x 4 @ 50	25 x 4 @ 50	10	
G234HS			17 x 4 @ 75	8	
G444HS		21 @ 100	13 x 4 @ 50	5	

HANDIMESH® Sheet Handy Sized – Galvanized

Product Code	Std Unit	Longitudinal Wires*	Cross Wires*	Mass (kg)	Dimensions (m)
G112AHS24	Sheet	81 @ 25	49 x 2.3 @ 25	9	2.4 X 1.2
G122AHS24			25 x 2.3 @ 50	7	
G224HS24		41 x 4 @ 50	25 x 4 @ 50	12	
G234HS24			17 x 4 @ 75	10	
G444HS24		25 x 4 @ 100	13 x 4 @ 100	6	

* Number of Wires x Diameter (mm) @ Spacing (mm).



Stockyard Mesh

IRONBARK® Stockyard Mesh is a range of steel reinforcing mesh products specifically developed for rural applications including stockyards, farm gates, rural gates and infill panels.

IRONBARK®

Typical Uses

- Stockyards
- Farm gates and rural gates
- Farm fencing
- Infill panels

Features

- Galvanized
- 100% fire-proof and rot-proof



IRONBARK® Stockyard Mesh Sheet – Black

Product Code	Horizontal Spacing (mm)	Vertical Spacing (mm)	Wire Diameter (mm)	Mass (kg)	Dimensions (m)
STB569	100	150	5	15	6 X 0.9
STB5611				18	6 X 1.1
STB8812		200	8	46	6 X 1.2
STB8814				51	6 X 1.4

IRONBARK® Stockyard Mesh Sheet – Galvanized

Product Code	Horizontal Spacing (mm)	Vertical Spacing (mm)	Wire Diameter (mm)	Mass (kg)	Dimensions (m)	
STG5109	100	250	5	13	6 X 0.9	
STG51011				15	6 X 1.1	
STG569		150	8	47	18	6 X 0.9
STG5611					18	6 X 1.1
STG8812		200	8	51	47	6 X 1.2
STG8814					51	6 X 1.4

Note: InfraBuild reserve the right to change specifications without notice. Not all products are available at all InfraBuild Branches. Check with your local InfraBuild Branch for product availability. Warranties given on all accessories are manufacturers warranties only.

IRONBARK® Stockyard Mesh Roll – Black

Product Code	Horizontal Spacing (mm)	Vertical Spacing (mm)	Wire Diameter (mm)	Mass (kg)	Dimensions (m)
STB569R	100	150	5	73	30 x 0.9
STB5611R				88	30 x 1.1

IRONBARK® Stockyard Mesh Roll – Galvanized

Product Code	Horizontal Spacing (mm)	Vertical Spacing (mm)	Wire Diameter (mm)	Mass (kg)	Dimensions (m)
STG5109R	100	250	5	63	30 x 0.9
STG51011R				76	30 x 1.1
STG569R		150		75	30 x 0.9
STG5611R				90	30 x 1.1
STG5615R	150			194	60 x 1.5

IRONBARK® Farm Gate Infill – Galvanized

Product Code	Horizontal Spacing (mm)	Vertical Spacing (mm)	Wire Diameter (mm)	Mass (kg)	Dimensions (m)
FGI8	100	196	5	7	2.35 x 1.1
FGI10				8	2.95 x 1.1
FGI12		197		10	3.55 x 1.1
FGI14				11	4.15 x 1.1
FGI16				13	4.65 x 1.1

SENTINEL[®] MINEMESH[®]

New breakthrough technology
SENTINEL[®] Coal MINEMESH[®]
is lighter, stronger, better.

Introducing a major breakthrough from the people who brought you the original MINEMESH[®].

High-tensile SENTINEL[®] Coal MINEMESH[®] harnesses groundbreaking steel technology backed by 25 years of experience in strata control and ground support mesh solutions.

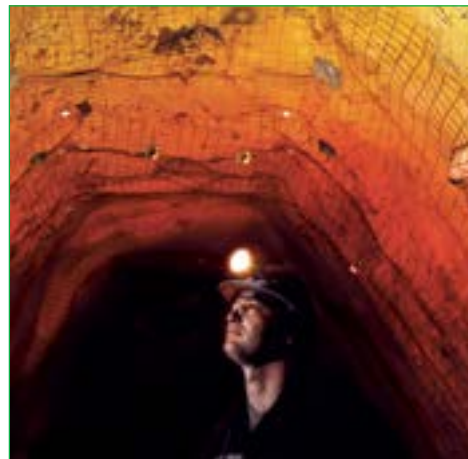
Manufactured from quality Australian steel, this new technology is exclusive to SENTINEL[®] Coal. The product is manufactured using a proprietary high-tensile process, patented worldwide.

What's the difference?

With wire strength that is 50% greater, allowing a mass reduction of 25 – 30 %, SENTINEL[®] Coal offers equivalent performance and strength to standard MINEMESH[®] with significantly reduced mass.

SENTINEL[®] Coal is Australian made and has key benefits compared with standard MINEMESH[®]

- Smaller wire diameter allowing more sheets per pack, more sheets per truck and more sheets per pod



- Better productivity through:
 - Fewer product movements both above and below ground, with a 25 % reduction in transport cycles
 - 25 % fewer truck movements for delivery of mesh
 - More sheets per load of mesh to the mine face, resulting in a faster development rate and reduced delays
 - Reduced storage space above and below ground
 - Improved ergonomics, as a direct result of being 25 – 30 % lighter
- Environmental sustainability – SENTINEL[®] Coal delivers up to 25 % reduction in carbon emissions in the manufacturing process

SENTINEL[®] Coal – Modules for all roof conditions

Grade		Wire Diameter (mm)		Sheet	
		Double Wire Strap	Mesh	Length (m)	Width (m)
Light	L	4	4	4 – 5.5	0.6 – 2
Medium	M	4.75			
Heavy	H	5.6			

eXtra (x) Mid sheet strap for intermediate bolting available on all of the above.



Note: InfraBuild reserve the right to change specifications without notice. Not all products are available at all InfraBuild Branches. Check with your local InfraBuild Branch for product availability. Warranties given on all accessories are manufacturers warranties only.

Bar Chairs



Bar Chairs

Concrete Block Chairs

Concrete block chairs are used as a high-load spacer in steel reinforcement projects. Heat resistant and designed with a flat base to eliminate tilting and rolling, our range of concrete block chairs provide appropriate concrete cover of the reinforcing. Concrete Block Chairs conform to *AS/NZS 2425 Bar chairs in reinforced concrete – Product requirements and test methods*.

Plain Concrete Block Chairs

Typical Uses

- Slab-on-ground

Features

- Available in a wide variety of sizes
- Multiple heights



Product Code	Dimensions (mm)	No./Bag	Mass (kg/Bag)
CB653	65 x 50 x 32	50	12.5
CB654	65 x 50 x 40		15
CB754	75 x 50 x 40	25	9
CB765	75 x 65 x 50		15
CB777	75 x 75 x 75	15	
CB1077	100 x 75 x 75	10	13
CB1119	115 x 100 x 90		20

Galvanized Tie Wire Concrete Block Chairs

Typical Uses

- Civil and infrastructure construction projects
- Slab-on-ground

Features

- Complies with roads authority requirements
- Sets concrete cover
- Stable – integrated galvanized tie wire



Product Code	Concrete Cover (mm)	No./Bag	Mass (kg/Bag)
CB20G	20	200	8.5
CB25G	25	100	15
CB30G	30		6
CB35G	35	50	11
CB40G	40		13
CB45G	45		9
CB50G	50		15
CB55G	55		16
CB60G	60	25	13
CB65G	65		14
CB70G	70		15
CB75G	75		16
CB80G	80	15	13
CB85G	85		10
CB90G	90		15
CB95G	95		11
CB100G	100		12
CB110G	110		16

Metal Bar Chairs

Metal bar chairs are used to set reinforcing bar and reinforcing mesh to the correct position in a variety of steel reinforcement applications. Metal bar chairs conform to AS/NZS 2425 Bar chairs in reinforced concrete – *Product requirements and test methods*.

Plastic-tipped Metal Bar Chair

Typical Uses

- Suspended slab, slab-on-ground with metal base

Features

- Plastic-tipped
- Sets concrete cover
- Four leg wire bar chairs



Product Code	Concrete Cover (mm)	No./Bag	Mass (kg/Bag)
MC20	20	100	2
MC25	25		
MC30	30		
MC35	35		3
MC40	40		
MC45	45		5
MC50	50		
MC60	60		6
MC65	65		
MC70	70		7
MC75	75		
MC80	80		8
MC85	85		
MC90	90		
MC100	100		

Table continued on next page.

Table continued from previous page.

Product Code	Concrete Cover (mm)	No./Bag	Mass (kg/Bag)
MC110	110	50	6
MC120	120		
MC130	130		
MC140	140		7
MC150	150		
MC160	160		
MC170	170		
MC180	180		
MC190	190		
MC200	200		10
MC210	210		
MC220	220		
MC230	230		11
MC240	240		
MC250	250		
MC260	260		12
MC270	270		
MC280	280		
MC290	290	25	8
MC300	300		
MC310	310		
MC320	320		9
MC340	340		
MC350	350		
MC360	360		
MC380	380		
MC400	400		10
			11

Metal Bases

Typical Uses

- Slab-on-ground
- Spreading point loads from bar chairs over wider area of support
- For protecting polyethylene film from puncture by legs of bar chairs

Features

- For use with plastic-tipped metal bar chairs
- Corrosion-resistant steel



Product Code	Product Description	No./Bag
MB	130 x 130 mm – suit metal chair ≤ 110 mm	100
MBS	150 mm dia. base – suit metal chair ≤ 110 mm	
MBL	230 mm dia. base – suit metal chair ≥ 110 mm	50

Metal Top Hat Bases

Typical Uses

- Deep raft slab construction

Features

- Serves as base for U-Bars that support top layer reinforcing steel
- Sits on second layer of reinforcing steel



Product Code	Suit Bar (mm)	Length (mm)
THB16	16	500
THB20	20	

Note: Other sizes available on request.

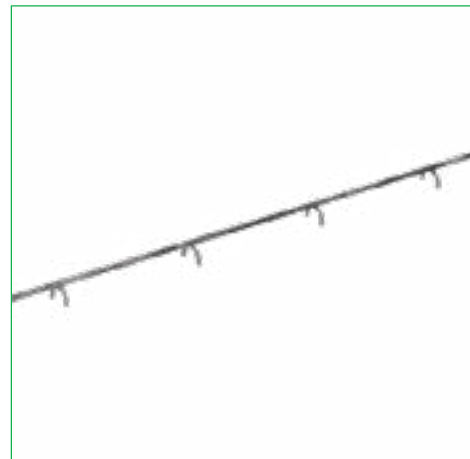
Continuous Metal Bar Chair

Typical Uses

- Suspended slab, slab-on-ground with concrete blinding layer

Features

- Plastic-tipped for corrosion protection
- Continuous spacer
- Allows rapid chairing and placement of reinforcing steel



Product Code	Concrete Cover (mm)	Length (m)	No./Bag
CBCG20	20	2	10
CBCG25	25		
CBCG30	30		
CBCG40	40		
CBCG50	50		
CBCG60	60		
CBCG65	65		
CBCG75	75		
CBCG90	90		
CBCG100	100		

Metal Trench Mesh Spacers

Bogar Enterprises

Typical Uses

- Footing beams

Features

- Joins bottom and top trench mesh to form footing cage
- Suits trench mesh 8 – 12 mm



Product Code	Suit Trench Mesh Wire (mm)	Concrete Cover (mm)	No./Bag
BS8150	8	150	100
BS8200		200	50
BS8250		250	100
BS8300		300	50
BS8400		400	
BS8450		450	
BS8500		500	
BS11200		11	
BS11250	250		
BS11300	300		50
BS11350	350		
BS11400	400		
BS11450	450		
BS11500	500		
BS12200	12		
BS12250		250	
BS12300		300	50
BS12350		350	
BS12400		400	
BS12450		450	
BS12500		500	

Plastic Bar Chairs

Plastic bar chairs are used to set reinforcing bar and mesh to the correct position within the concrete. Plastic bar chairs supplied by InfraBuild Construction Solutions conform to AS/NZS 2425 – *Bar chairs in reinforced concrete – Product requirements and test methods*.

Plastic Bar Chair Combination

Typical Uses

- Slab-on-ground, polystyrene pod slab, swimming pools

Features

- Sets concrete cover
- Dual heights
- Clip-on mechanism for stability
- Integrated base to minimise puncture of polyethylene film
- 50 or 65 mm height chairs available in a convenient 20 - piece bag for smaller jobs



Plastic Bar Chairs		
Product Code	Concrete Cover (mm)	No./Bag
COM2540	25 or 40	100
COM5065	50 or 65	
COM5065C	50 or 65	
COM7590	75 or 90	
COM7590C	75 or 90	
COM85100	85 or 100	
COM105110	105 or 110	
COM115120	115 or 120	
COM125130	125 or 130	
COM135140	135 or 140	
COM145150	145 or 150	
COM155160	155 or 160	
COM165170	165 or 170	

C= Clip-on

Plastic Bar Chairs – Convenient 20 Pack		
Product Code	Concrete Cover (mm)	No./Bag
COM5065C20	50 or 65	20

Plastic Bar Chair Combination Deck Chair

Typical Uses

- Suspended slab and beams, tilt-up panels, precast panels and beams, slab-on-ground when used with base

Features

- Sets concrete cover
- Dual heights
- Corrosion-free support
- Leaves minimal footprint



Product Code	Concrete Cover (mm)	No./Bag
COMDC2025	20 or 25	100
COMDC2530	25 or 30	
COMDC3035	30 or 35	
COMDC3040	30 or 40	
COMDC3540	35 or 40	
COMDC3545	35 or 45	
COMDC4050	40 or 50	
COMDC4550	45 or 50	
COMDC6575	65 or 75	50 or 100
COMDC7590	75 or 90	
COMDC90100	90 or 100	
COMDC110120	110 or 120	
COMDC130140	130 or 140	
COMDC150160	150 or 160	
COMDC170180	170 or 180	
COMDC190200	190 or 200	
COMDCBASE	–	100

Plastic Bar Chair Novabones

Typical Uses

- Columns, super T beams, civil projects, slab-on-ground with blinding layer

Features

- Designed for heavy-duty application
- Suits large bar diameter
- Central hole for tie wire
- Withstands high ambient temperature
- Approved for roads authority projects
- Dual heights



Product Code	Concrete Cover (mm)	No./Bag
FAST2530	25 or 30	100
FAST4050	40 or 50	
FAST6070	60 or 70	50

Continuous Plastic Bar Chair

Action Products

Typical Uses

- BAMTEC® suspended slab, slab-on-ground with concrete blinding layer

Features

- Continuous spacer
- Allows rapid chairing and placement of reinforcing steel
- Provides stable support for reinforcing steel
- Ideal for structures near the coast – corrosion-free support



Product Code	Concrete Cover (mm)	Length (mm)	No./Bundle
CC20	20	2000	100
CC25	25		
CC30	30		
CC40	40		50
CC50	50		

Circular Clip-On Plastic Bar Chair

Typical Uses

- Columns and piers, vertical concrete elements and commercial construction

Features

- Easy clip-on
- Wide range to suit different bar sizes



Product Code	Concrete Cover (mm)	Suit Bar Size (mm)	No./Bag
CPC15	15	4 – 16	100
CPC20	20	6	
CPC206		6	
CPC25	25	4 – 16	
CPC25A		12 – 20	
CPC30	30	4 – 16	
CPC30A		12 – 20	
CPC40	40	4 – 16	
CPC40A		12 – 20	
CPC50	50	8 – 12	
CPC50A		12 – 20	
CPC60	60	8 – 12	
CPC60A		12 – 20	
CPC65	65	8 – 12	
CPC75	75	8 – 12	
CPC75A		12 – 20	

Clipfast Plastic Bar Chair

Typical Uses

- Pre-cast and tilt-up, walls and panels

Features

- Designed specifically for bar
- Easy clip-on
- Small foot configuration – minimal exposure at concrete surface
- Suits different bar sizes



Product Code	Concrete Cover (mm)	Suit Bar Size (mm)	No./Bundle
PC20B	20	4 – 16	100
PC25B	25		
PC30B	30		
PC32B	32		
PC35B	35		
PC40B	40		
PC50B	50		
PC55B	55		
PC65B	65		
PC75B	75		
PC40B+	40	18 – 28	100
PC45B+	45		
PC50B+	50		
PC55B+	55		
PC65B+	65		
PC75B+	75		
PCB		Base	

+ = Large

Clipfast Plastic Bar Chair Mesh

Danley™

Typical Uses

- Pre-cast and tilt-up, walls and panels

Features

- Designed specifically for mesh
- Easy clip-on
- Small foot configuration – minimal exposure at concrete surface
- Suits different mesh sizes



Product Code	Concrete Cover (mm)	No./Bag
PC20M	20	100
PC25M	25	
PC30M	30	
PC32M	32	
PC40M	40	
PC50M	50	
PC65M	65	
PC75M	75	

Trench Mesh Support Plastic

Typical Uses

- Footing beams, waffle pod slab perimeter

Features

- Support and locate trench mesh
- Suits all trench mesh sizes



Product Code	Concrete Cover (mm)	Suit Bar Size (mm)	No./Bag
TMS65	65	8 – 12	25
TMS6016	60	16	

SOG® Plastic Bar Chair

Danley™

Typical Uses

- Thick slabs and roadways, commercial and civil projects
- Continuously Reinforced Concrete Pavement (CRCP)

Features

- Lightweight chairs with integral bases
- 500 kg capacity



Product Code	Concrete Cover (mm)	No./Bag
RSOG95	95	100
RSOG100	100	
RSOG110	110	
RSOG120	120	
RSOG130	130	
RSOG140	140	
RSOG150	150	
RSOG95C	95	
RSOG100C	100	
RSOG105C	105	
RSOG108C	108	
RSOG115C	115	
RSOG127C	127	

C = Clip-on

Continuous Deck Rail Plastic Bar Chair

Danley™

Typical Uses

- BAMTEC® suspended slab, slab-on-ground with concrete blinding layer
- Precast, Tilt-up panels

Features

- Continuous spacer
- Allows rapid chairing and placement of reinforcing steel
- Provides strong and stable support for reinforcing steel
- Minimum soffit exposure
- Plastic base to suit slab-on-ground application
- Male and female connection to extend length



Product Code	Concrete Cover (mm)	Length (mm)	No./Bag
CDR25C	25	750	25
CDR30C	30		
CDR35C	35		
CDR40C	40		
CDR45C	45		
CDR50C	50		
CDR55C	55		
CDR60C	60		
CDR65C	65		
CDR70C	70		
CDR75C	75		
CDR80C	80		
CDR85C	85		
CDR90C	90		
CDR95C	95		
CDR100C	100		
CDRBASE	Base		

Note: When using Deck Rail Base, customers should consider the 5 mm thickness of the base which may affect concrete cover.

Tilt Wall Panel Plastic Bar Chair

Danley™

Typical Uses

- Pre-cast and tilt-up, walls and panels

Features

- Clip-on and dual height
- Protrusion at leg base for minimal concrete surface exposure
- Strong and stable



Product Code	Concrete Cover (mm)	No./Bag
BCTWP3040	30 or 40	100
BCTWP5060	50 or 60	
BCTWP6575	65 or 75	

kwik ZIP® Centralizers

Typical Uses

- Soil nails
- Rock bolts
- Anchors
- Other post-tension systems

Features

- Wide bow and simple integrated 'cable tie' method of assembly



Product Code	Bow Height (mm)	Suit Bar Size (mm)	No./Box
KWIKZIP10	10	20 – 50	100
KWIKZIP20	20		
KWIKZIP30	10		
KWIKZIP40	20		

Bar Size (mm)	No. of Units per Assembly
20 – 28	2
32 – 40	3
50	4

Bow Height = distance between the surface of the bar and the hole.

Note: InfraBuild reserve the right to change specifications without notice. Not all products are available at all InfraBuild Branches. Check with your local InfraBuild Branch for product availability. Warranties given on all accessories are manufacturers warranties only.

Fibre Concrete Spacers

Australia's premier supplier of fibre concrete spacers and bars, Max Frank offers products to meet horizontal and vertical reinforcement needs.

Max Frank bars and spacers conform to *AS/NZS 2425 Bar chairs in reinforced concrete – Product requirements and test methods.*

Fibre Concrete Square Bar

Typical Uses

- For particularly heavy reinforcement

Features

- Large support area spreads load and prevents tipping



Product Code	Concrete Cover (mm)	Length (mm)	No./Pallet	Mass* (kg/Pallet)
FCSB50330	50	330	600	1065
FCSB501000		1000	250	1318
FCSB701000	70			100

* Approximate

Fibre Concrete B Rail Bar

(Lead time required)

Typical Uses

- High load-bearing capacity

Features

- Curve-shaped for stability
- Rapid and efficient laying



Product Code	Concrete Cover (mm)	Length (mm)	No./Pallet	Mass* (kg/Pallet)
FCRB50330	50	330	1080	650
FCRB75330	75		800	1000
FCRB100330	100		1000	1300
FCRB1001000		1000	600	850

* Approximate

Fibre Concrete Banana N Bar

(Lead time required)

Typical Uses

- Designed for use with exposed concrete

Features

- Curve-shaped for stability
- Notches provide fewer points of contact with formwork



Product Code	Concrete Cover (mm)	Length (mm)	No./Pallet	Mass* (kg/Pallet)
FCBB35330	35	330	2060	1200
FCBB50330	50		1080	650
FCBB75330	75		700	600

* Approximate

Fibre Concrete Triangular Bar

Typical Uses

- For support of horizontal mesh and loose bars

Features

- Continuous spacer for ease of steel fixing
- High compressive strength
- Impermeable to water
- Equilateral triangle, same concrete cover in any position



Fibre Concrete Triangular Bar – 330mm

Product Code	Concrete Cover (mm)	Length (mm)	No./Pallet	Mass* (kg/Pallet)
FCTB50330	50	330	1089	1330
FCTB55330	55		990	1426
FCTB60330	60		500	845
FCTB65330	65			900
FCTB70330	70		400	918
FCTB75330	75			920

Fibre Concrete Triangular Bar – 1000mm

Product Code	Concrete Cover (mm)	Length (mm)	No./Pallet	Mass* (kg/Pallet)
FCTB251000	25	1000	1000	1010
FCTB301000	30			1350
FCTB351000	35		750	1348
FCTB401000	40		500	1165
FCTB451000	45		400	1128
FCTB501000	50		350	1440
FCTB551000	55			1490
FCTB601000	60		300	1535
FCTB651000	65		200	1232
FCTB701000	70		250	1740
FCTB751000	75		150	1185
FCTB801000	80		100	880
FCTB901000	90			1173
FCTB1001000	100			1418

* Approximate

Note: InfraBuild reserve the right to change specifications without notice. Not all products are available at all InfraBuild Branches. Check with your local InfraBuild Branch for product availability. Warranties given on all accessories are manufacturers warranties only.

Pile Wheels

Co-Packers' pile wheels come in a range of sizes and strengths to ensure correct concrete cover. They are suitable for different bar sizes and meet the requirements of *AS/NZS 2425 Bar chairs in reinforced concrete – Product requirements and test methods*.

Heavy Duty Pile Wheel

Typical Uses

- For pile cages, diaphragm walls and deep foundations

Features

- Circular plastic spacer
- Provides perimeter cover
- Push fit for ease of installation
- Wider flange rim and rigid spoke wheel minimises skew action
- Suits different bar sizes



Product Code	Concrete Cover (mm)	Spiral (mm)	Thickness (mm)	No./Bag	
CPCH25HD	25	10 – 19	30	250	
CPCH35HD	35		40	200	
CPCH40HD	40		42	100	
CPCH50HD	50		40	60	
CPCH65HD	65		39	40	
CPCH75HD	75		45	30	
CPCH80HD	80		44	25	
CPCH85HD	85		43		
CPCH100HD	100				30

Pile Cage Foot

Typical Uses

- For pile cages, diaphragm walls and deep foundations

Features

- Provides concrete cover at the bottom end of the reinforcing pile cage
- Suitable for 16 – 40 mm bars



Product Code	Concrete Cover (mm)	Maximum Load Capacity (kg)	No./Bag
PCF85	85	500	60
PCF100	100		
PCF150	150		

Carbon Fibre Pile Wheel

Typical Uses

- For pile cages, diaphragm walls and deep foundations

Features

- Expands to bond and seal inside concrete
- Flame resistant
- Suitable compressive strength for use with concrete
- Polymer-based spacer compliant with roads authority requirements
- Compliant with roads authority requirements



Product Code	Concrete Cover (mm)	Spiral (mm)	Thickness (mm)	No./Bag
CPCH40CF	40	10 – 19	40	100
CPCH50CF	50		42	60
CPCH65CF	65		40	40
CPCH75CF	75		39	30
CPCH80CF	80		45	25
CPCH85CF	85		44	
CPCH100CF	100		43	30

Note: InfraBuild reserve the right to change specifications without notice. Not all products are available at all InfraBuild Branches. Check with your local InfraBuild Branch for product availability. Warranties given on all accessories are manufacturers warranties only.

Accessories



Safety Caps

Plastic Safety Caps reduce the risk of cuts and abrasions from exposed reinforcing bar ends, dowels and star pickets.

Safety Caps

Typical Uses

- Bar ends
- Star pickets

Features

- Suit all bar sizes
- Reduce the chance of cuts and abrasions from exposed bar ends
- Coloured for visibility
- Not designed for high-load vertical impacts



Product Code	Colour	No./Bag
BSC	Yellow	100

Start-A-Cap® Action Products

Typical Uses

- Bar ends
- Star pickets
- Safety barriers

Features

- Protection from exposed bars or star pickets
- UV-stabilised polypropylene
- Reusable
- High-visibility colours



Product Code	Suit Bar (mm)	Colour	No./Bag
STARTACAP1220	12 – 20	Yellow	50
STARTACAP2436	24 – 36	Green	

Note: InfraBuild reserve the right to change specifications without notice. Not all products are available at all InfraBuild Branches. Check with your local InfraBuild Branch for product availability. Warranties given on all accessories are manufacturers warranties only.

Lifeguard™ Safety Caps Plastic

Danley™

Typical Uses

- Bar ends
- Safety barriers

Features

- Manufactured from robust, UV-stabilised polypropylene
- Offer protection from exposed or protruding reinforcing steel bars
- Encapsulated domed steel plate 2 mm thick with central raised boss
- Internal ribs within sleeve to hold cap centrally on bar
- Reusable



Product Code	Suit Bar (mm)	Colour	No./Bag
LIFEGUARD1220	12 – 20	Yellow	50
LIFEGUARD2436	24 – 36	Orange	

Reosok® Safety Caps Plastic

Danley™

Typical Uses

- Bar ends
- Safety barriers

Features

- Manufactured from robust, UV-stabilised polypropylene
- Offer protection from exposed or protruding reinforcing steel bars
- Can be connected in unison with a lacer bar for added fall protection
- Internal ribs within sleeve to hold cap centrally on bar
- Reusable



Product Code	Suit Bar (mm)	Colour	No./Bag
REOSOK12	12 – 20	Yellow	50
REOSOK24	24 – 36	Orange	

Safety Cushion Caps

Connolly®

Typical Uses

- Guarding against injury from protruding steel reinforcing bars and star pickets

Features

- Concave top design and supporting internal webbing minimises the risk of injury by absorbing impact
- Injection moulded for accurate tolerances and consistency
- Reflective stripe on large cap for excellent night time visibility
- Small caps fit bars 12 – 20 mm
- Large caps fit bars 20 mm up to 33 mm and star pickets
- Colour and strength of caps not degraded by UV exposure
- Reusable



Product Code	Suit Bar (mm)	Suits Star Picket	Colour	No./Bag
CSCC1220	12 – 20	No	Green	50
CSCC2032	20 – 32	Yes		

Tie wire

Tie wire is used as a steel fixing aid, suitable for tying bars and mesh. Tie wire is available in galvanized and black finishes.

Tie Wire Belt Pack

Typical Uses

- Tying bar and mesh

Features

- Annealed wire



Tie Wire Belt Pack – Black

Product Code	Wire Diameter (mm)	Length (m)
BP1.4	1.4	100
BP1.5	1.57	93

Tie Wire Belt Pack – Galvanized

Product Code	Wire Diameter (mm)	Length (m)
BP1.5GAL	1.5	93

Bag Tie

Typical Uses

- Tying bar and mesh

Features

- Annealed wire
- Pre-cut lengths
- Bundles of 2000
- Available in black and galvanized finishes
- Used with a twisting tool or nips



Bag Tie – Black

Product Code	Length (mm)
BT110	110
BT125	125
BT150	150
BT175	175
BT200	200

Bag Tie – Galvanized

Product Code	Length (mm)
BT110G	110
BT125G	125
BT150G	150
BT200G	200

Tie Wire Roll Black

Typical Uses

- Tying bar and mesh

Features

- Annealed wire



Product Code	Wire Diameter (mm)	Mass*(kg)	Length* (m)
TW	1.6	3	60
TW5		5	320
TW10		10	650
TW315	3.15	50	16

* Approximate

Tie Wire Pre-cut Black

Typical Uses

- Tying bar and mesh

Features

- Annealed wire
- Pre-cut lengths
- For use with a twisting tool or nips



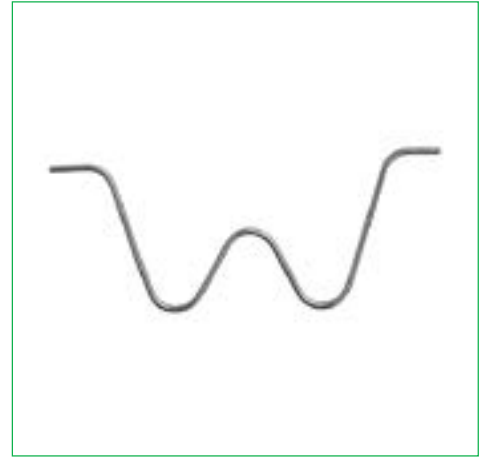
Product Code	Wire Diameter (mm)	Length (mm)	Mass* (kg)
TWC11	1.57	280	3
TWC14		355	
TWC125280	1.25	280	
TWC125355		355	

* Approximate

Bond Beam Ties

Typical Uses

- Closing-off concrete blocks where core filling is not required beneath bond beams, lintel beams or sill beams (block out plates)
- Holding bars in bond beams and block walls where two bars are specified (W ligs)



Product Code	Description	No./Bag
BBVT	V Tie	100
BOP	Block Out Plate	
WLIGS	Fitment	

Block Wall Ties

Typical Uses

- Tying in unreinforced block walls
- Controlling cracking where blocks do not intersect or overlay



Product Code	No./Bundle
BWT250	50

Polyethylene Building Films

Polyethylene building films act as a vapour barrier and waterproof membrane for slab-on-ground applications.

Polyethylene Building Film

Typical Uses

- Slab-on-ground moisture barrier and/or overlay curing sheets for newly poured concrete

Features

- High and medium impact polyethylene building film available
- Wide range of widths, lengths and thicknesses

Relevant Standards

- AS 2870 Residential slabs and footings
- AS/NZS 2904 Damp-proof courses and flashings



Polyethylene Building Film – High Impact Black

Product Code	Thickness (µm)	Width (m)	Length (m)	Mass* (kg)
PB22H	200	2	50	18
PB2425H		4	25	
PB24H			50	36
PB26H		6	33	

Polyethylene Building Film – Medium Impact Black

Product Code	Thickness (µm)	Width (m)	Length (m)	Mass* (kg)
PB141	100	4	100	36
PB22	200	2	50	18
PB24		4		36
PB2425			25	18
PB26		6	33	36
PB26300			50	54
PB34		300		4

* Approximate

Tables continued next page.

Note: InfraBuild reserve the right to change specifications without notice. Not all products are available at all InfraBuild Branches. Check with your local InfraBuild Branch for product availability. Warranties given on all accessories are manufacturers warranties only.

Polyethylene Building Film – Medium Impact Orange

Product Code	Thickness (µm)	Width (m)	Length (m)	Mass* (kg)
PBO34	300	4	25	28
PO22	200	2	50	18
PO24		4		36

Polyethylene Building Film – High Impact Orange

Product Code	Thickness (µm)	Width (m)	Length (m)	Mass* (kg)
POV24H	200	4	25	18
POV34H	300			27
POV26	200	6	33	36
POV22		2	50	18
POV24		4		36

Polyethylene Building Film – Medium Impact Clear

Product Code	Thickness (µm)	Width (m)	Length (m)	Mass* (kg)
PN053	50	3	100	14
PN12	100	2		9
PN14		4		18

* Approximate

Polyethylene Building Tape**Typical Uses**

- For joining and sealing polyethylene building film

Features

- Silver and orange colours
- Lengths of 30 m and 75 m



Product Code	Width (mm)	Length (m)	Colour
PTR	48	30	Silver
PVC		75	Orange

Note: InfraBuild reserve the right to change specifications without notice. Not all products are available at all InfraBuild Branches. Check with your local InfraBuild Branch for product availability. Warranties given on all accessories are manufacturers warranties only.

STEGO® Vapour Barrier

STEGO® wrap vapour barrier has an extremely low permeance preventing water vapour, soil gases and soil sulphates from compromising the integrity of the building envelope and leading to serious problems with the concrete slab, floor coverings and indoor air quality.

Typical Uses

- Prevention of water vapour, soil gases and soil sulphates from compromising the integrity of the building envelope

Features

- Low permeance characteristics
- Tear and puncture resistant
- Quick and easy to install
- Helps reduce long term slab curling



Product Code	Type	Thickness (µm)	Width (m)	Length (m)
STEGOVB38	Vapour Barrier	380	4.3	43

STEGO® Tape

Typical Uses

- STEGO® seaming tape, a low-permeance tape designed for protective sealing, hanging, seaming, splicing and patching applications that has been engineered to bond specifically to STEGO® wrap for sealing seams and penetrations
- STEGO® claw tape, a multi-layered tape used to seal STEGO® wrap around the perimeter of the slab while the concrete is placed
- STEGO® tack tape, a double-sided adhesive strip used to bond and seal STEGO® wrap to concrete, masonry, wood, metal and other surfaces. Its flexibility and mouldability allow for a variety of applications and installations including sealing the perimeter



Product Code	Type	Width (mm)	Length (m)
STEGOST95	Seaming Tape	95	55
STEGOCT75	Claw Tape	75	

Dowels

Dowels are short steel bars that allow movement and load transfer between slabs. Highly durable and resistant to corrosion, dowels supplied by InfraBuild Construction Solutions are available in a range of sizes, shapes, lengths and finishes.

Square Reinforcing Dowels

Typical Uses

- Concrete construction

Features

- Friction cut
- Provide positive load transfer across concrete joints
- Smooth bars allow movement in the joint due to shrinkage and temperature changes



Square Dowels – Black and Galvanized

Product Code	Size (mm)	Length (mm)	Finish
SQ16D400F	16	400	Black
SQ16D500F		500	
SQ16D600F		600	
SQ20D400F	20	400	
SQ20D500F		500	
SQ20D600F		600	
SQ25D400F	25	400	
SQ25D500F		500	
SQ25D600F		600	
SQ16D400FG	16	400	Galvanized
SQ16D500FG		500	
SQ16D600FG		600	
SQ20D400FG	20	400	
SQ20D500FG		500	
SQ20D600FG		600	
SQ25D400FG	25	400	
SQ25D500FG		500	
SQ25D600FG		600	

Note: InfraBuild reserve the right to change specifications without notice. Not all products are available at all InfraBuild Branches. Check with your local InfraBuild Branch for product availability. Warranties given on all accessories are manufacturers warranties only.

Round Reinforcing Dowels

Typical Uses

- Concrete construction

Features

- Friction cut
- Provide positive load transfer across concrete joints
- Smooth bars allow movement in the joint due to shrinkage and temperature changes
- Other diameters and lengths are available



Round Dowels – Black

Product Code	Diameter (mm)	Length (mm)
R16D300F	16	300
R16D400F		400
R16D450F		450
R16D600F		600
R20D300F	20	300
R20D350F		350
R20D450F		450
R20D600F		600
R20D1000F		1000
R24D450F	24	450
R24D600F		600

Round Dowels – Galvanized

Product Code	Diameter (mm)	Length (mm)
R12D300FG	12	300
R12D600FG		600
R16D300FG	16	300
R16D400FG		400
R16D450FG		450
R16D500FG		500
R16D600FG		600
R16D1000FG		1000
R20D300FG	20	300
R20D350FG		350
R20D450FG		450
R20D600FG		600
R20D1000FG		1000
R20D1200FG		1200
R24D350FG	24	350
R24D450FG		450
R24D600FG		600
R24D1000FG		1000

Note: InfraBuild reserve the right to change specifications without notice. Not all products are available at all InfraBuild Branches. Check with your local InfraBuild Branch for product availability. Warranties given on all accessories are manufacturers warranties only.

Glass Fibre Reinforced Polymer Dowel

Typical Uses

- Structures near the coast / marine environment
- Medical facilities requiring electromagnetic neutrality
- Footpaths, slab-on-ground, ports, tunnels

Features

- Corrosion resistant
- No locking of the joint in the slab
- Electromagnetic neutrality
- Lighter than steel (2 g/cm³, 4 x lighter)
- Other diameters are available. Lead time applies



Product Code	Diameter (mm)	Length (mm)
GFRPD18	18	Made to order
GFRPD20	20	
GFRPD25	25	



Note: InfraBuild reserve the right to change specifications without notice. Not all products are available at all InfraBuild Branches. Check with your local InfraBuild Branch for product availability. Warranties given on all accessories are manufacturers warranties only.

Diamond® Dowels Danley™

A high-load capacity plate that allows movement and minimises differential deflection between concrete slabs, Danley™ Diamond® Dowels are ideal for perimeter-of-pour dowel applications at construction joints. The flange on the sleeve ensures the dowel is perpendicular to the form board and is stable.

Typical Uses

- Perimeter-of-pour dowel applications at construction joints

Features

- Colour-coded one-piece PVC sleeves
- Minimises differential deflection between slabs
- Allows two-directional movement in the horizontal plane
- Flange-on-sleeve ensures dowel is perpendicular to form board and is stable
- Supplied with fixing nails
- Stainless steel alternatives are available. Lead time applies
- Other thicknesses are available



Product Code	Finish	Colour	Plate Thickness (mm)	Size (mm)	No. Per Box	Mass/Box (kg)
DDDBLNP6	Black	Orange	6	110 x 110	25	16
DDDBLNP10		Blue	10		15	15
DDDGNP6	Galvanized	Orange	6		25	16
DDDGNP10		Blue	10		15	15
DDD20G		Green	20	114 x 114	7	16

PD3™ Plate Dowel® Cradles with RynoBar™

Danley™

PD3™ Plate Dowel® Cradles with RynoBar™ are used in concrete construction and are tapered plate dowels assembled into cradles of 3 m nominal length, offering a highly efficient dowel system well suited for contraction joints. The tapered plate dowels are 300 mm long and are made from AS/NZS 3679.1 Grade 300 steel. The RynoBar™ self yielding travel bar device eliminates the need to cut bars before concrete delivery.



Typical Uses

- For limiting joint deflection to provide superior joint stability

Features

- The PD3™ Plate Dowel Cradle features a plate dowel with bond breaker allowing concrete-to-steel contact
- It utilises a tapered plate dowel that allows lateral movement without the use of a plastic sleeve
- The wire cradle construction ensures the accurate placement and alignment of the plate dowels at the correct centres and height within the slab

Relevant Standards

- Exceeds CI360R-10 design specifications for <0.25 mm load deflection
- AS/NZS 3679.1 *Structural steel*

PD3™ Plate Dowel® Cradles – Black

Product Code	Plate Thickness (mm)	Dowel Length (mm)	Dowel Spacing (mm)	Suit Slab (mm)	Cradle Length (m)
PD306450125B	6	300	450	125	3
PD306450150B				150	
PD306450175B				175	
PD306450200B				200	
PD310450150B	10			150	
PD310450175B				175	
PD310450200B				200	

PD3™ Plate Dowel® Cradles – Galvanized

Product Code	Plate Thickness (mm)	Dowel Length (mm)	Dowel Spacing (mm)	Suit Slab (mm)	Cradle Length (m)	
PD306450125G	6	300	450	125	3	
PD306450150G				150		
PD306450175G				175		
PD306450200G				200		
PD310450150G	10		300	450	150	3
PD310450175G					175	
PD310450200G					200	
PD320300250G	20		300	300	230 – 275	1.2
PD320300300G		280 – 330				
PD320400350G		400		400	340 – 390	1.6
PD320400400G					400 – 450	

Square Flange Box with Galvanized Dowels

Danley™

Square Dowels with flange dowel boxes are used in construction joints in both ground and elevated slabs. Suitable for post-tension slab joints and also in elevated slabs as a shear connector, they allow for large lateral movement and have expansion joint capability.

Typical Uses

- Construction joints in ground and elevated slabs
- Post-tension slab joints
- Elevated slabs as a shear connector

Features

- Allows for large lateral movement
- Expansion joint capability
- Formed from galvanized sheet steel
- Rigid foam void filler inside
- Supplied with integral nailing flanges with location marks



Product Code	Dowel Size (mm)	Dowel Length (mm)	Flange Box Length (mm)
FDBS16G	16 x 16	400	220
FDBS20G	20 x 20	300	
FDBS25G	25 x 25		
FDBS32G	32 x 32	500	270
FDBS40G	40 x 40	400	220

Biscuit Plate Dowels

Connolly®

Biscuit Plate Dowels are designed to transfer loads across construction joints in slab-on-ground applications. The plastic sleeve encases one half of the plate dowel to de-bond the dowel from the concrete. Connolly® Biscuit Plate Dowels allow for expansion, contraction and lateral movement at the joint. With pre-installed nails and V-notches on all sides, they can easily and accurately be installed on conventional formwork, ensuring dowel alignment. Injection moulded from polystyrene for accuracy and stiffness, Biscuit Dowel Sleeves minimise the vertical movement across the joint. Biscuit Dowel Sleeves are colour coded to indicate the plate dowel thickness.



Typical Uses

- Load transfer in construction joints

Features

- Minimises differential deflection between slabs
- Allows for contraction, expansion and lateral movement
- V-notches and pre-installed nails for ease of installation
- Speeds up dowel installation
- Available in black or hot dip galvanized finish

Relevant Standards

- AS/NZS 3679.1 *Structural steel – Hot-rolled bars and sections*
- AS/NZS 4680 *Hot dip galvanized (zinc) coatings on fabricated ferrous articles*

Biscuit Plate Dowels – Black				
Product Code	Plate Thickness (mm)	Size (mm)	No./Box	Sleeve cover
BPD6B	6	110 x 150	10	Red
BPD10B	10			Green

Biscuit Plate Dowels – Galvanized				
Product Code	Plate Thickness (mm)	Size (mm)	No./Box	Sleeve cover
BPD6G	6	110 x 150	10	Red
BPD10G	10			Green

Plate Dowel Cradles

Connolly®

Plate Dowel Cradles are used for load transfer in saw cut contraction joints. They are a welded wire assembly that ensures the horizontal and vertical alignment of dowels at the correct spacing and height. All Connolly® Plate Dowel Cradles are supplied with a de-bonding sleeve to one half of the dowel to allow for contraction and lateral movement. Manufactured in a rigid 6 mm welded wire assembly, they are capable of withstanding the harsh treatment they frequently encounter during construction activities. Cradles are easy to transport, handle and install, saving time and money for the contractor.



Typical Uses

- Load transfer in saw cut contraction joints

Features

- Pre assembled and welded to ensure accuracy
- Ensures dowel alignment is maintained during concrete placement
- Minimises dowel installation time
- Custom cradles are available

Relevant Standards

- AS/NZS 3679.1 *Structural Steel – Hot-rolled bars and sections*
- AS/NZS 4680 *Hot dip galvanized (zinc) coatings on fabricated ferrous articles*

Plate Dowel Cradles – Black

Product Code	Plate Thickness (mm)	Dowel Length (mm)	Dowel Spacing (mm)	Suit Slab Length (mm)	Cradle Length (m)
CCP6450125	6	300	450	125	3
CCP6450150				150	
CCP6450175				175	
CCP6450200				200	
CCP10450180	10	300	450	180	
CCP10450200				200	
CCP10450250				250	

Note: InfraBuild reserve the right to change specifications without notice. Not all products are available at all InfraBuild Branches. Check with your local InfraBuild Branch for product availability. Warranties given on all accessories are manufacturers warranties only.

Plate Dowel Cradles – Galvanized

Product Code	Plate Thickness (mm)	Dowel Length (mm)	Dowel Spacing (mm)	Suit Slab Length (mm)	Cradle Length (m)
CCP6450125G	6	300	450	125	3
CCP6450150G				150	
CCP6450175G				175	
CCP6450200G				200	
CCP10450180G	10	180			
CCP10450200G		200			
CCP10450250G		250			

DSD Shear Load Connectors

Ancon®

Ancon® DSD Shear Load Connectors are used in expansion and contraction joints of reinforced concrete structures to transfer vertical shear loads while allowing the required expansion and contraction. Each connector is a two-part assembly comprising a stainless steel sleeve and a stainless steel dowel component.

Ancon® DSD Shear Load Connectors are double dowels that come in a wide range of load classes to suit different conditions. Ancon® ESD single dowels are used where loads are small, but where alignment is critical.

The Ancon® ESDQ and DSDQ shear load connector uses the same dowel as the ESD and DSD respectively, but the cylindrical sleeve is contained within a rectangular box section to allow lateral movement or rotation in addition to longitudinal movement.

Typical Uses

- Slab-to-slab / Slab-to-wall



Features

- Effective in transferring loads and allowing movement
- Nail plate on the sleeve ensures subsequent alignment of the dowel component
- Elimination of traditional dowels
- Manufactured from stainless steel to ensure a high degree of corrosion resistance
- Q product range allows lateral movement

DSD Double Shear Load Connectors

Product Code	Dowel Diameter (mm)	Dowel Length (mm)	Sleeve Length (mm)	Lateral Movement
DSD25	14	250	120	No
DSD30	16	260		
DSD50	18	280	135	
DSD65	20	300	155	
DSD75	22	340		
DSD100	30	400	210	
DSD130	35	470	265	
DSD150	42	550	275	
DSDQ30	16	260	140	Yes
DSDQ50	18	280	160	
DSDQ65	20	300	175	
DSDQ75	22	340		
DSDQ100	30	400	240	
DSDQ130	35	470	290	
DSDQ150	42	550	305	

Q = product allows for lateral movement.

Note: InfraBuild reserve the right to change specifications without notice. Not all products are available at all InfraBuild Branches. Check with your local InfraBuild Branch for product availability. Warranties given on all accessories are manufacturers warranties only.

ESD Shear Load Connectors

Ancon®

Ancon® ESD Shear Load Connectors are used in expansion and contraction joints of reinforced concrete structures to transfer vertical shear loads while allowing the required expansion and contraction.

Each connector is a two-part assembly comprising a stainless steel sleeve and a stainless steel dowel component.

Ancon® ESD single dowels are used where loads are small, but where alignment is critical.

The Ancon® ESDQ shear load connector uses the same dowel as the ESD, but the cylindrical sleeve is contained within a rectangular box section to allow lateral movement or rotation in addition to longitudinal movement.

Typical Uses

- Slab-to-slab / Slab-to-wall



Features

- Effective in transferring loads and allowing movement
- Nail plate on the sleeve ensures subsequent alignment of the dowel component
- Elimination of traditional dowels
- Manufactured from stainless steel to ensure a high degree of corrosion resistance
- Q product range allows lateral movement

ESD Single Shear Load Connectors				
Product Code	Dowel Diameter (mm)	Dowel Length (mm)	Sleeve Length (mm)	Lateral Movement
ESD10	20	300	175	No
ESD15	22			
ESD20	30			
ESD25	35	350	200	Yes
ESDQ10	20	300	175	
ESDQ15	22			
ESDQ20	30			
ESDQ25	35	350	195	

Q = product allows for lateral movement.

Lockable Dowels

Ancon®

Ancon® Lockable Dowels are designed for use in temporary movement joints. They allow initial shrinkage of the concrete to take place and are then locked in position, by mechanical and chemical means, to prevent further movement taking place.

Ancon® Lockable Dowels eliminate the need for complicated formwork and are ideal for slab-to-slab and slab-to-wall connections in a variety of steel reinforcement applications.

The complete dowel set comprises the dowel itself, the sleeve including the lid, the locking plate, and a 2-part epoxy resin.



Typical Uses

- Slab-to-slab
- Slab-to-wall
- Temporary movement joints

Features

- Eliminate pour strips
- Reduce propping times
- Reduce formwork
- Faster, safer construction
- Proven performance and simple installation
- Guaranteed alignment allows movement
- Allows for inspection before locking

Product Code	Size (mm)	Sleeve Size (mm)	Application
ESDQL20	435 x 30	240 x 170	Slab-to-slab
HLDQL30	475 x 30	280 x 170	Slab-to-slab High Load
ESDQL20W	270 x 30	240 x 170	Slab-to-wall

EGCODORN® Shear Dowels

Max Frank

Expansion joints are provided in concrete structures to decouple components and avoid stress cracks. EGCODORN® shear dowels are used for the transmission of shear forces which occur in such joints.

Typical Uses

- Permanent Movement Joint (PMJ), alternative to corbel design

Features

- Shear dowel
- Stainless steel sleeve, load-bearing core and silicone rubber end capping
- Type WQ – for longitudinal and lateral movements and mainly used for static loads



Product Code	Size (mm)	Type	Mass* (kg)
EDWQ40	40	WQ	3.1
EDWQ50	50		4.6
EDWQ70	70		6.5
EDWQ95	95		9.3
EDWQ100	100		9.7
EDWQ120	120		16.2
EDWQ150	150		17.3
EDWQ210	210		30
EDWQ300	300		32
EDWQ350	350		35.8

* Approximate

Dowel Caps and Sleeves

Round Dowel Caps

Features

- Allows longitudinal movement



Product Code	Suit Dowel Diameter (mm)	No./Bag
DCP16	16	100
DCP1620	16 or 20	
DCP2024	20 or 24	
DCP24	24	

Round Expansion Caps

Typical Uses

- Concrete reinforcement applications

Features

- Allows longitudinal movement
- Designed with hinged cap providing firm fit over the dowel
- 10 mm internal pin to locate dowel centrally and to create void for expansion



Product Code	Suit Dowel Diameter (mm)	No./Bag
DCPX	12 – 20	100
DCP36	24 – 36	

Round Dowel Sleeves – Speed Sleeve™

Danley™

Speed Sleeve™ Round Dowel Sleeves are designed for concrete reinforcement applications and minimise vertical movement and reduce damage at joints. Speed Sleeves™ are easy to install and eliminate the need for greased bars and drilling foam boards. Speed Sleeves™ are also suitable for galvanized dowels. Reusable nailing plates are available for fixing to forms sold separately.



Typical Uses

- Concrete reinforcement applications

Features

- Eliminates need for drilling form boards
- Eliminates greased bars
- Minimises vertical movement at joint
- Reusable nailing plate
- Nailing plates available for fixing to forms

Product Code	Description	Suit Dowel Diameter (mm)	Length (mm)	Colour
DSPSLR1620	Sleeve	16	240	Green
DSPSLR1630			310	
DSPSLNP16			–	
DSPSLR2020	Sleeve	20	240	Red
DSPSLR2030			310	
DSPSLNP20			–	
DSPSLR2420	Sleeve	24	240	Brown
DSPSLR2430			310	
DSPSLNP24			–	
DSPSLR3320	Sleeve	33	240	Blue
DSPSLR3330			310	
DSPSLNP33			–	

Square Dowel Sleeves – Dowelmaster™ Danley™

A plastic cover for square dowels that allows slab movement in two directions and prevents slab lock-up, Danley™ Dowelmaster™ Square Dowel Sleeves are suitable for 300 mm and 400 mm dowels. Simply secure the sleeves to the construction joint forms with the optional nailing plates, pour the concrete, strip the forms and insert square dowels into the sleeves – ready for the second pour.



Typical Uses

- Concrete reinforcement applications

Features

- Allows slab movement in two directions
- Prevents slab lock-up
- Nailing plate available for wood forms
- Supplied with fixing stake and wedge
- Compatible with Danley™ Key Joint
- Also suitable for timber formwork utilising the nail plates
- 25 mm Dowelmaster™ has built-in nailing flange

Product Code	Description	Colour	Suit Dowel Diameter (mm)	Length (mm)
DWLM16	Sleeve	White	16	200
DWLM16NP	Nailing Plate			–
DWLM20	Sleeve	Yellow	20	250
DWLM20NP	Nailing Plate			–
DWLM25	Sleeve with Built-in Nailing Flange	Purple	25	250

Universal Dowel Sleeves

Connolly®

Universal Dowel Sleeves (UDS) are available for round and square dowels to allow for load transfer across joints in slab-on-ground applications. The sleeve encases one half of the dowel to de-bond the dowel from the concrete. All Connolly® Universal Dowel Sleeves allow for expansion and contraction at the joint. Square UDS also allow for lateral movement at the joint.



Typical Uses

- Construction, contraction and expansion joints

Features

- Patented Twist and Lock feature integrates with Connolly® Key Joints and Expansion Joints
- Patented integrated support leg
- Colour coded
- Available for square and round dowels
- Square dowel sleeves provide for lateral movement
- Includes nailing plate

Product Code	Suit Dowel Size (mm)	Suit Dowel Length (mm)	Colour	Suit Dowel Shape
UDSR16230	16	450	Pink	Round
UDSR16300		600		
UDSR20230	20	450	Blue	
UDSR20300		600		
UDSR24230	24	450	Brown	
UDSR33230		33	450	
UDSR33300	600			
CUDSR36230	36	450	White	
CUDSR36300		600		
UDSSQ16230	16	450	Green	
UDSSQ16300		600		
UDSSQ20230	20	450	Yellow	
UDSSQ20300		600		

Round Dowel Sleeves Dowelsert

Danley™

Typical Uses

- Concrete reinforcement applications

Features

- Two-piece cast-in socket for construction joint dowels
- High-density black polypropylene ensures positive bearing capacity between the dowel and concrete



Product Code	Suit Dowel Diameter (mm)	Length (mm)
DWLSERT16	16	200
DWLSERT20	20	300

Crack Inducers

Crack-A-Joint™

PaveX™

An alternative to saw cutting and tooled joints, PaveX™ Crack-A-Joint™ induces an immediate controlled crack to the full depth of the concrete. It is extruded from corrosion-free UV stabilised uPVC, reducing the risk of cuts and abrasions caused by sharp edges on traditional steel profiles. PaveX™ Crack-A-Joint™ Rip-A-Strip Capping and Clip-on Joiners are sold separately.

Typical Uses

- Weakened plane joints in footpaths, bicycle paths, driveways and urban streetscapes

Features

- Finish the slab the same day with no need to return the next day for saw-cutting
- Can be placed quickly, with precision and is lightweight and easy to carry around the job site
- Will butt up to any given edge, including columns
- Profile heights of 25 mm and 38 mm initiate controlled cracks in slabs between 75 mm and 150 mm in depth
- Reduces the risk of early shrinkage cracking, producing architecturally aesthetic pavements
- No joint filler required: The edge of the PaveX™ Crack-A-Joint™ profile acts as a support for the edge of the concrete and stops unsightly fraying and spalling



- Unique profile complements aggregate interlock, which facilitates load transfer
- Provides a low-noise transition over weakened plane joints

Relevant Standards

- AS 3727.1 Residential pavements

Product Code	Description	Height (mm)	Length (m)	Qty Per Pack	Mass* (kg)
PXCAJ25	PaveX™ Crack-A-Joint™ Light Grey	25	3	10	4.3
PXCAJ38	PaveX™ Crack-A-Joint™ Light Grey	38			6.1
PXCAJCJ	Clip-On Joiner	–	–	50	0.8
PXCAJG	Rip-A-Strip Capping, Grey	–	60	1	3.7
PXCAJB	Rip-A-Strip Capping, Black	–			

* Approximate

Note: InfraBuild reserve the right to change specifications without notice. Not all products are available at all InfraBuild Branches. Check with your local InfraBuild Branch for product availability. Warranties given on all accessories are manufacturers warranties only.

Ground Crack Inducers

Danley™

Ground Crack Inducers produce a weakening in a slab that induces a crack where planned.

Typical Uses

- Produces a weakening in a slab which induces a crack where planned

Features

- Durable PVC extrusion
- Supplied in standard 3 m lengths
- Available in 25 mm and 50 mm heights
- Ideal for use with Danley™ PD3™ Dowel Cradles



Product Code	Height (mm)	Length (m)	Suit Slab (mm)
DCI25	25	3	Up to 150
DCI50	50		150 – 250

Crack Inducers

Connolly®

Crack Inducers are an economical surface crack control strip for small pours and decorative concrete applications. Installed in wet concrete, Connolly® Crack Inducers eliminate the need for tooled or sawn joints and protects the joint against the ingress of foreign matter.

Connolly® Crack Inducers are a roll formed galvanized steel section available in 3 m lengths. They are available in 25 mm and 45 mm heights and can be supplied with or without a permanent, flexible PVC capping. The permanent PVC capping is available in a range of colours and comes with a tear-off-strip to allow for a slurry-free finish.



Typical Uses

- Joints in stenciled finishes
- Small concrete pours including footpaths, entertaining areas and small driveways

Features

- Permanent capping with Tear-off strip
- Replaces saw cuts
- Available in a range of colours
- Allows for a slurry-free finish

Product Code	Height (mm)	Length (m)	Suit Slab (mm)
CSCI25	25	3	Up to 150
CSCI45	45		150 – 250

Ground Crack Inducers

Connolly®

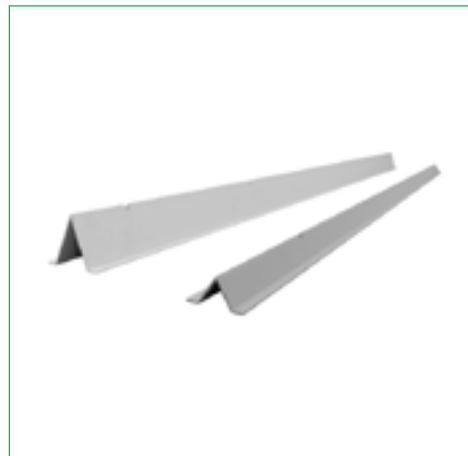
Ground Crack Inducers are designed to produce controlled cracking in slabs at specific points.

Typical Uses

- Produces a weakening in a slab which induces a crack where planned

Features

- Easy installation
- Secures easily to the ground using PC pins to prevent movement during pours
- Lightweight and durable
- Ideally suited for use with the Connolly® Dowel Cradles
- Can save money by helping reduce slab cutting depth



Product Code	Height (mm)	Length (m)	Suit Slab (mm)
CGCI25	25	3	Up to 150
CGCI50	50		150 – 250

Expansion Joints

Used as a gap filler, Expansion Joints are flexible, lightweight and able to be formed around curved objects.

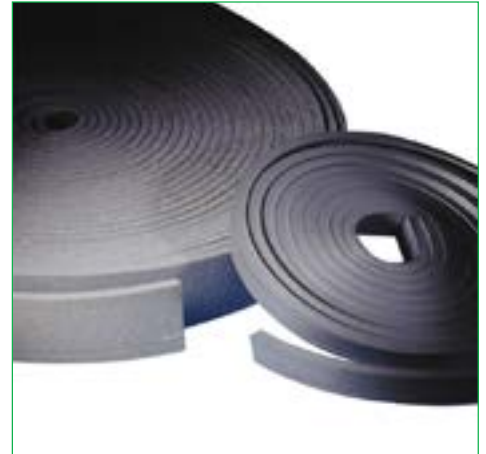
Flexible Expansion Joint

Typical Uses

- Used as a gap seal
- For contraction and expansion joints

Features

- Flexible
- Lightweight
- Can be formed around curved objects



Expansion Joint – Flexible

Product Code	Height (mm)	Thickness (mm)	Length (m/roll)
AFX1050	50	10	25
AFX1075	75		
AFX10100	100		
AFX10125	125		
AFX10150	150		
AFX10200	200		
AFX10300	300		

Expansion Joint – Sticky Back

Product Code	Height (mm)	Thickness (mm)	Length (m/roll)
AFX1050S	50	10	25
AFX1075S	75		
AFX10100S	100		
AFX10125S	125		
AFX10150S	150		
AFX10200S	200		
AFX10300S	300		

Expansion Joint

Typical Uses

- Designed to relieve stress on building materials caused by building movement induced by thermal expansion and contraction caused by temperature changes



Expansion Joint – Ridge Flex

Product Code	Height (mm)	Thickness (mm)	Length (m)
RF50	50	10	2.4
RF75	75		
RF100	100		
RF150	150		

Expansion Joint – Bitumen Impregnated Fibre Board

Bitumen Impregnated Fibre Board is a compressible bitumen-impregnated joint filler used to seal movement in joints with concrete slabs and elements. The high bitumen content allows the board to adopt the shape of expansion joints, ensuring complete sealing. The rigidity enables it to withstand rough handling on site so it is not damaged during placing and compaction of concrete. It is available in heights from 50 to 200mm, thicknesses of 10 mm and a standard length of 2.4 m.



Typical Uses

- Used to seal movement joints in concrete slabs and elements

Features

- Compressible
- Can withstand rough handling on site
- Knockouts allow use of 16 and 20 mm Dowelmaster™ sleeves and square dowels

Product Code	Height (mm)	Thickness (mm)	Length (m)
JNTX50	50	10	2.4
JNTX75	75		
JNTX100	100		
JNTX125	125		
JNTX150	150		
JNTX200	200		

Key Joints

Key Joint Expanda™ Joint Danley™

Key Joint Expanda™ Joint is designed specifically to overcome slab alignment problems. Key Joint Expanda™ comprises Danley™ Key Joint fitted with 5 mm close cell foam which provides for thermal expansion of adjacent slabs. This allows expansion of the concrete, giving a high-performing, cost-effective expansion system with a joint finish. Similar to Key Joint, Key Joint Expanda™ is self-supporting and height adjustable utilising the Danley drive-n-twist™ stake system.



Typical Uses

- Ideal for Dowelmaster™ and square dowels
- Allows for continuous concrete slab pours

Features

- Provides the same benefits as key joint as well as expansion joint capability
- One side faced with 5 mm closed cell foam
- Multiple cappings available
- Drive-n-twist™ stake system
- Knockouts allow use of 16 and 20 mm Dowelmaster™ sleeves and square dowels

Product Code	Height (mm)	Length (m)
EXPKJ3100S	100	3
EXPKJ3125S	125	
EXPKJ3150S	150	
EXPKJ3200S	200	
EXPKJ3250S	250	

Key Joint

Danley™

Danley Key Joints incorporate a unique drive-n-twist™ stake system to make installation simple and provide a more uniform joint line at a fraction of the cost of conventional formwork.

Typical Uses

- Light traffic areas

Features

- Enables transfer of vertical loads across the joints between slabs
- Allows lateral movement between the slabs, but limits vertical differential movement between the slabs
- Allows continuous concrete placement with preformed internal joints
- Incorporates drive-n-twist™ stake system
- Knock-outs provide for square dowels



Key Joint		
Product Code	Height (mm)	Length (m)
KJD3100	100	3
KJD3125	125	
KJD3150	150	
KJD3200	200	
KJD3250	250	
KJD6100	100	6
KJD6125	125	
KJD6150	150	
KJD6200	200	

Key Joint – Stakes				
Product Code	Diameter (mm)	Length (mm)	Suit Key Joint (mm)	No. Per Pack
KJDPEG3	10	350	100 – 150	8
KJDPEG4		450	200	
KJDPEG5		550	250	

Key Joint – Capping					
Product Code	Description	Colour	Width (mm)	Set Down (mm)	Length (m)
DRASB	Permanent (Rip-A-Strip)	Black	13	2	25
DRASG		Grey			
KJDCAPR10	Removable – Standard	Black	10	3	
KJDCAPR12	Removable – Block	Black	12	10	

Note: InfraBuild reserve the right to change specifications without notice. Not all products are available at all InfraBuild Branches. Check with your local InfraBuild Branch for product availability. Warranties given on all accessories are manufacturers warranties only.

Key Joint System

Connolly®

Connolly® Key Joints are a roll formed galvanized steel section used as a leave-in-place formwork to control shrinkage induced cracking. The profile is fixed in place using the patented peg and wedge system. For higher load applications the preformed knock-outs allow Key Joints to be used in conjunction with Connolly Universal Dowel Sleeves (UDS).

Typical Uses

- Contraction joints in slab-on-ground applications
- Shear load transfer through contraction joints

Features

- Rigid connection between key joint and Connolly® Universal Dowel Sleeves through patented twist-fix feature
- Patented Wedge fixing mechanism for fast and accurate height adjustment
- Additional stiffening ribs (KJ150, KJ200 and KJ300 only) to ensure straighter joints
- Can be used to screed off which makes getting the right level quick and easy



Key Joint – Galvanized

Product Code	Height (mm)	Length (m)
CKJ1003000	100	3
CKJ1503000	150	
CKJ2003000	200	
CKJ3003000	300	
KJ100	100	6
KJ150	150	
KJ200	200	
KJ300	300	

Key Joint Capping

Product Code	Description	Colour	Width (mm)	Set Down (mm)	Length (m)
KJCAP	Removable	Grey	7.5	3	24
KJPCAP	Permanent	Black	9.5		
KJCAPTBLK	Permanent – Tearoff		9	4	

Product tables continued on next page.

Key Joint – Capping Foam Filler Strips

Product Code	Colour	Width (mm)	Set Down (mm)	Length (m)	Suit Key Joint (mm)
KJF100	Black	10	8	6	100
KJF150					150
KJF200					200 – 300

Key Joint – Rebate Mould

Product Code	Colour	Width (mm)	Set Down (mm)	Rebate Height	Length (m)
KJRM12	Yellow	12	14	12	3
KJRM20	Grey	20	12	10	

Key Joint – Accessories

Product Code	Description	Length (mm)
KJJ100	Joiner to Suit 100 mm key joint	–
KJJ150	Joiner to Suit 150 mm key joint	
KJJ200	Joiner to Suit 200 mm key joint	
KJPEG100	Stake	350
KJPEG150		390
KJPEG200		500
KJWEDGE	Wedge	–
KJWP4	Wedge and Stakes	400
KJWP5		500

Expansion Joint System

Connolly®

Expansion Joints are a roll formed galvanized steel section with 10 mm cross linked foam to provide a leave in place formwork that allows for joint expansion. The profile is fixed in place using the patented peg and wedge system.

The Expansion Joint has pre-formed holes which allow it to be used in conjunction with Connolly Universal Dowel Sleeves (UDS). The Expansion Joint profile is available in 3 m length for slab thicknesses from 100 mm to 200 mm. Included in the system are dowels, dowel sleeves, pegs and wedges.



Typical Uses

- Expansion joints in slab-on-ground applications
- Shear load transfer through expansion joints

Features

- Pre-formed holes allow for use with Connolly Universal Dowel Sleeves (UDS)
- Rigid connection between Expansion Joint and Connolly Universal Dowel Sleeves through patented twist-fix feature
- Provides expansion capacity over the full depth of the slab
- Permanent capping and rebate mould available
- Galvanized coating for corrosion protection
- Patented Wedge fixing mechanism allows fast and accurate height adjustment
- Additional stiffening ribs (CEKJ3125, CEKJ3150 and CEKJ3200) to ensure straighter joints
- Can be used to screed off which makes getting the right level quick and easy

Product Code	Height (mm)	Length (m)
CEKJ3100L	100	3
CEKJ3125L	125	
CEKJ3150L	150	
CEKJ3200L	200	

Pullout Bar Boxes

Keybox Reinforcement Continuity System

Ancon®

The Ancon® Keybox Reinforcement Continuity System simplifies formwork design and eliminates drilling of shutters. Each unit consists of a galvanized steel casing that is dimpled to provide an effective concrete bond. Pre-bent reinforcement bars are housed within the casing and are enclosed by a protective cover. When the cover is removed the reinforcement bars can be straightened ready for lapping onto the main reinforcement.

Quick and easy to install, Ancon® Keybox maintains continuity of reinforcement at construction joints and includes 12 mm reinforcement bar. The embedded bar is available in a variety of different shapes and configurations.

Typical Uses

- Slab-to-slab wall connections

Features

- Quick and easy to install
- Maintains continuity of reinforcement at construction joints in concrete
- Simplification of formwork design
- No need for drilling shutters

Relevant Standards

- AS/NZS 4671 *Steel for the reinforcement of concrete*
- AS 3600 *Concrete structures*

See table on next page.



See product on previous page.

Product Code	Bar Diameter (mm)	Bar Spacing (mm)	Box Length (mm)	Bar Shape	Suit Slab* (mm)
KB85L7	12	150	1000	L	90 – 140
KB85L9		110			
KB120U4		250		U	140 – 160
KB120U5		200			
KB120U7		150			
KB150U5		200			
KB150U6		200	1200		160 – 200
KB150U7		150	1000		
KB150U9		110			
KB150U11		110	1200		
KB190U5		200	1000	200 – 250	
KB190U7		150			
KB190U9		110			
KB190U11		110	1200		
KB190U4		250	1000		220 – 300
KB190U6		200	1200		
KB220U5		200	1000		
KB220U9		110			
KB220U6		200	1200		
KB220U11		110			

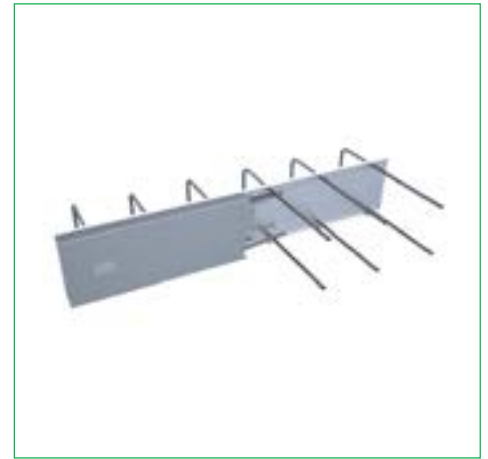
* Minimum slab dimensions based on 20 mm cover to reinforcement.

ReBox™ Pull Out Box Connection System

Reid™

Features

- Floor-to-wall reinforcing bar joining system
- Unique dimpled rebate box stays in place eliminating the need for scabbling
- Galvanized steel rebate box
- The Reid™ Rebox™ is easily attached to formwork and/or the reinforcing cage
- After the concrete has been poured and the formwork stripped, the design of the Rebox™ allows for easy opening of the unit and access to the reinforcement bars ready for deployment



Relevant Standards

- AS 3600 *Concrete structures*

Product Code	Bar Diameter (mm)	Bar Spacing (mm)	Suit Slab (mm)	Box Length (mm)
REB151512	12	150	150 – 160	1000
REB151516	16			
REB152012	12	200		
REB152016	16			
REB152512	12	250		
REB152516	16			
REB153012	12	300		
REB153016	16			
REB181512	12	150	180 – 200	
REB181516	16			
REB182012	12	200		
REB182016	16			
REB182512	12	250		
REB182516	16			
REB183012	12	300		
REB183016	16			

Table continued on next page.

Table continued from previous page.

Product Code	Bar Diameter (mm)	Bar Spacing (mm)	Suit Slab (mm)	Box Length (mm)
REB251512	12	150	250	1000
REB251516	16			
REB252012	12	200		
REB252016	16			
REB252512	12	250		
REB252516	16			
REB253012	12	300		
REB253016	16			
REB301512	12	150	300	
REB301516	16			
REB302012	12	200		
REB302016	16			
REB302512	12	250		
REB302516	16			
REB303012	12	300		
REB303016	16			

Stabox® Continuity Strip

Max Frank

Typical Uses

- Light shaft connection
- Ground slab
- Underground parking
- Basement stairway connection
- Wall-to-slab

Features

- Simplification of formwork
- No need to pierce the formwork
- A variety of stirrup widths



Product Code	Bar Diameter (mm)	Bar Spacing (mm)	Suit Slab (mm)	Box Length (mm)
STABOX141012	12	100	140	1250
STABOX191012			190	
STABOX221012			220	
STABOX251012			250	
STABOX121512		150	120	
STABOX141512			140	
STABOX191512			190	
STABOX221512			220	
STABOX251512		250		
STABOX122012		200	120	
STABOX142012			140	
STABOX192012			190	
STABOX222012			220	
STABOX252012			250	



Expertise in high-rise construction



InfraBuild Construction Solutions' expert team of project managers, detailers, schedulers and prefabrication specialists are here to ensure your project is delivered to schedule.

We collaborate closely with customers to optimise steel usage and ensure project cost efficiencies, and provide a comprehensive range of AS/NZS-compliant, ACRS-certified and sustainable reinforcing products and solutions.

Learn more about the award-winning high-rise projects we've helped our customers deliver at our website.



www.infrabuild.com

a company of
 LIBERTY

Formwork

Suitable for permanent formwork in floor slabs, ceilings and walls Stremaform® lies between the continuous reinforcement layers so that there is no need to interrupt the reinforcement. An expanded metal sheet welded between the bars provides a rough surface that eliminates concrete scabbling.

Stremaform® Standard Max Frank

Typical Uses

- Construction joints in deep slabs, hydrostatic slabs and composite slabs
- High-strength column containment
- Lost formwork in form slabs, ceilings and walls

Features

- Expanded metal sheet welded between bars provides rough surface that eliminates concrete scabbling
- Reinforcing bar continuity from one pour to another
- A range of sizes is available



Stremaform® – Standard			
Product Code	Height (mm)	Length (mm)	Mass* (kg)
STREMASTD0100	100	2400	2.4
STREMASTD0200	200		4.1
STREMASTD0250	250		4.5
STREMASTD0300	300		5
STREMASTD0350	350		6.2
STREMASTD0400	400		6.6
STREMASTD0450	450		7.1
STREMASTD0500	500		8.3
STREMASTD0600	600		9.2
STREMASTD1000	1000		15.2

Stremaform® – Strong with Stiffening			
Product Code	Height (mm)	Length (mm)	Mass* (kg)
STREMASTIFF0600	600	2400	11.4
STREMASTIFF1000	1000		19

* Approximate

Note: InfraBuild reserve the right to change specifications without notice. Not all products are available at all InfraBuild Branches. Check with your local InfraBuild Branch for product availability. Warranties given on all accessories are manufacturers warranties only.

Stremaform® Water Bar Cage

Max Frank

Typical Uses

- Construction joints in deep slabs, hydrostatic slabs and composite slabs
- High-strength column containment
- Lost formwork in form slabs, ceilings and walls

Features

- Expanded metal sheet welded between bars provides rough surface that eliminates concrete scabbling
- Reinforcing bar continuity from one pour to another
- A range of sizes is available



Product Code	Height (mm)	Length (mm)	Mass* (kg)
STREMACAGE0420	420	2400	2.59
STREMACAGE0525	525		2.78
STREMACAGE0670	670		3.94

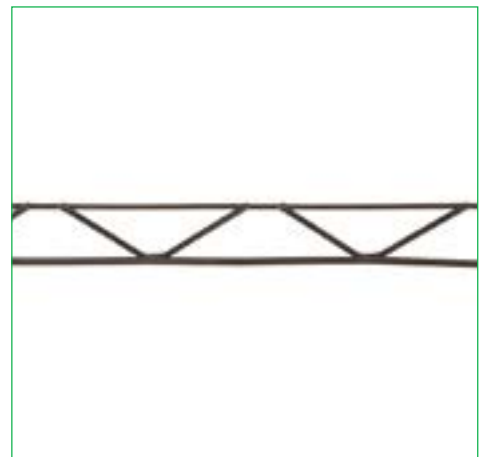
* Approximate

Stremaform® Girders

Max Frank

Features

- Can be used to accommodate any slab depth
- Ideal for large structural components
- Rear anchoring in the first concrete pour, hence no additional formwork required for the second concrete pour



Product Code	Length (mm)
STREMAGIRDER	2400

Stremaform® Spacer

Max Frank

Typical Uses

- Suitable for slabs with very heavy reinforcement
- Construction joints in deep slabs, hydrostatic slabs and composite slabs

Features

- Various concrete covers available
- Suitable for slabs with very heavy reinforcement
- Custom cleavages available



Product Code	Height (mm)	Length (mm)	Mass* (kg)
STREMASPACER0050	50	1200	1.5

* Approximate

Pecafil®

Max Frank

Max Frank Pecafil® is a flat sheet wire mesh with a heat-shrunk layer of polyethylene applied to both sides. Strong and lightweight, it is an alternative to conventional formwork.

Typical Uses

- An alternative to conventional formwork

Features

- Flat sheet wire mesh with a heat-shrunk layer of polyethylene applied to both sides
- Strong and lightweight
- Can be pre-formed prior to delivery
- Backfill after installation and pour concrete
- Does not require stripping



Product Code	Vertical Wire Size (mm)	Horizontal Wire Size (mm)	Width (mm)	Length (mm)
PECAFIL6600	5.5	4	600	2250
PECAFIL6900			900	
PECAFIL61200			1200	
PECAFIL61500			1500	
PECAFIL61800			1800	

Note: InfraBuild reserve the right to change specifications without notice. Not all products are available at all InfraBuild Branches. Check with your local InfraBuild Branch for product availability. Warranties given on all accessories are manufacturers warranties only.

Expanda™

PaveX™

PaveX™ Expanda™ is a core component of the broader PaveX™ Residential Pavement eco-system. Designed and developed in conjunction with councils and concrete contractors, PaveX™ Expanda™ is a lightweight uPVC, corrosion-free and modular expansion joint system that is quick and easy to install.

Typical Uses

- Expansion and construction joints in footpaths, bicycle paths, driveways and urban streetscapes

Features

- Supplied to site in a simple 3 pack kit: includes 15 lineal metres of joint and PaveX™ components
- Innovative formwork channel engages the stake bracket, dowel sleeves and joiner
- Twist-n-Lock stake and stake bracket for levelling of formwork with PaveX™ Joiner doubling as a stake tool
- Clip-on feet help position and support the formwork during installation and pour
- Formwork supplied with pre-fitted, stay-in-place capping
- Expanda™ End Caps mitigate the ingress of debris into the expansion voids of the profile. End Caps are sold separately
- PaveX™ Expanda™ load-supporting capping features a removable strip, if joint fillers are specified



- PaveX™ Expanda™ joint formwork provides for 10 mm thermal expansion of concrete
- 14 mm diameter GFRP dowels and sleeves provide load transfer

Relevant Standards

AS 3727.1 Residential pavements

PaveX™ Expanda™ Kit

Product Code	Height (mm)	Length (m)	Mass* (kg)
PX075KIT	75	3	21
PX100KIT	100		23
PX125KIT	125		25

Note: Kit includes 3 packs

Pack 1 – Expanda™ profile with capping x 5 pcs

Pack 2 – Stakes and Brackets x 32 pcs, Joiners x 5 pcs, Clip-On feet x 20 pcs

Pack 3 – 14 mm glass fibre reinforced polymer dowels and sleeves x 50 pcs

PaveX™ Expanda™ Accessories

Product Code	Description	Height (mm)	Qty Per Pack	Mass* (kg)
PX075EC	Expanda™ End Cap	75	50	0.3
PX100EC	Expanda™ End Cap	100		0.4
PX125EC	Expanda™ End Cap	125		0.5

* Approximate

Note: InfraBuild reserve the right to change specifications without notice. Not all products are available at all InfraBuild Branches. Check with your local InfraBuild Branch for product availability. Warranties given on all accessories are manufacturers warranties only.

Expanda™ HD

PaveX™

PaveX™ Expanda™ HD is a core component of the broader PaveX™ Residential Pavement eco-system. Designed specifically for use in heavy duty residential pavement applications including service vehicle cross-overs, driveways, shared bikeways and urban streetscapes. PaveX™ Expanda™ HD is a lightweight uPVC, modular expansion joint system that is quick and easy to install.

Typical Uses

- Heavy duty residential pavement applications including service vehicle cross-overs, driveways, shared bikeways and urban streetscapes

Features

- Supplied in a Set – 15 lineal metres of joint, complete with all PaveX™ components
- Expanda™ HD is designed for use with 6 mm Danley™ Diamond™ Galvanized Dowels and Sleeves at 450 mm centres. Diamond™ Dowels are sold separately
- PaveX™ Expanda™ joint formwork provides for 10 mm thermal expansion of concrete
- Innovative formwork channel engages the stake bracket, dowel sleeves and joiner
- Twist-n-Lock stake and stake bracket for levelling of formwork with



PaveX™ Joiner doubling as a stake tool

- Clip-on feet help position and support the formwork during installation and pour
- Formwork supplied with pre-fitted, stay-in-place capping
- PaveX™ Expanda™ HD load supporting capping features a removable strip if joint fillers are specified

Relevant Standards

AS 3727.1 Residential pavements

PaveX™ Expanda™ HD					
Product Code	Description	Height (mm)	Length (m)	Qty Per Pack	Mass* (kg)
PX150SET	Expanda™ Heavy Duty Set	150	3	Set	21.4
PX150EC	Expanda™ End Cap		–	50	0.6

Note: Heavy duty set includes two packs
 Pack 1 – Expanda™ profile with capping x 5 pcs
 Pack 2 – Stakes and brackets x 32 pcs, Joiners x 5 pcs, Clip-On feet x 20 pcs

*Approximate

Rediwall®

AFS Systems

A permanent PVC formwork system that snaps or slides into place, AFS Rediwall® is a rapid assembly solution which achieves a low-maintenance wall surface.

Typical Uses

- Load-bearing solution for building subterranean structures (basements, blade walls, retention tanks, car parks)
- Overhead applications (party walls, columns, retaining walls)

Features

- High-quality, semi-gloss finish
- Interconnectability
- Offer a low-maintenance wall surface
- Requires almost no machinery-aided installation



Rediwall® Panels and Corners

Product	Product Code	Thickness (mm)	Width (mm)	Length (mm)	Mass (kg/m)
Panels	RW110PANEL	110	250	As required	2.7
	RW156PANEL	156	250		3.0
	PW200PANEL	200	250		3.1
	PW256PANEL	256	250		3.6
Corner	RW110CORNER	110	-		3.0
	RW156CORNER	156			3.9
	RW200CORNER	200			4.6

Rediwall® Spacers and End Caps

Product	Product Code	Thickness (mm)	Width (mm)	Length (mm)	Mass (kg/m)
Spacer	RW156SPACER3000	156	-	3000	4.7
	RW1200SPACER3000	200			4.9
	RW156SPACER3600	156		3600	5.7
	RW200SPACER3600	200			5.9
End Cap	RW110EC3000	110	-	3000	2.2
	RW156EC3000	156			2.5
	RW200EC3000	200			3.2
	RW256EC3000	256			4.4
	RW110EC3600	110		3600	2.6
	RW156EC3600	156			3.0
	RW200EC3600	200			3.8
	RW256EC3600	256			5.2

Table continued on next page.

Note: InfraBuild reserve the right to change specifications without notice. Not all products are available at all InfraBuild Branches. Check with your local InfraBuild Branch for product availability. Warranties given on all accessories are manufacturers warranties only.

Rediwall® Joiners and Floor Tracks

Product	Product Code	Thickness (mm)	Length (mm)	Mass (kg/m)
Joiner	RW156JOINER3000	156	3000	2.3
	RW200JOINER3000	200		2.3
	RW256JOINER3000	256		2.7
	RW156JOINER3600	156	3600	2.8
	RW200JOINER3600	200		2.8
	RW256JOINER3600	256		3.2
H - Joiner	RW110HJ3000	110	3000	2.9
	RW156HJ3000	156		3.3
	RW200HJ3000	200		3.7
	RW110HJ3600	110	3600	3.4
	RW156HJ3600	156		3.9
	RW200HJ3600	200		4.5
T-Joiner	RW110TJ3000	110	3000	1.2
	RW156TJ3000	156		1.4
	RW200TJ3000	200		1.5
	RW110TJ3600	110	3600	1.4
	RW156TJ3600	156		1.7
	RW200TJ3600	200		1.8
Floor Track	RW110FT3000	110	3000	1.8
	RW156FT3000	156		2.0
	RW200FT3000	200		2.1
	RW256FT3600	256		3.5
	RW156JT3000	156		3.3
J-Track	RW200JT3000	200		3.4

Rediwall® Accessories

Product Code	Description	Length (mm)	Mass (kg/m)
RW110FCS3000	110 mm Fibre Cement Strip	3000	5.6
RW156FCS3000	156 mm Fibre Cement Strip		8.1
RW200FCS3000	200 mm Fibre Cement Strip		10.4
RW256FCS3000	256 mm Fibre Cement Strip		13.5
RWBACE1500	Brace	1500	0.6
RWBACE3000		3000	0.8
RWBACE4500		4500	1.3
RWSCREW	Screw	–	1.2
RWSA	Squint Angle	As required	–

Note: InfraBuild reserve the right to change specifications without notice. Not all products are available at all InfraBuild Branches. Check with your local InfraBuild Branch for product availability. Warranties given on all accessories are manufacturers warranties only.

ReidBar™ System

ReidBar™ is manufactured to AS/NZS 4671 Steel for the reinforcement of concrete. The bars are hot-rolled with the deformations forming a continuous right hand thread. ReidBar™ is part of a proprietary system using a range of fittings to simplify reinforcement. ReidBar™ fittings are designed to develop the breaking strength of the ReidBar™ bar, with the exception of some Reidbrace™ and formwork fittings.

Features

- A continuously threaded, hot-rolled, Grade 500 reinforcing bar that can be cut at any point along its length, then simply joined end to end by a coupler. This unique feature enables an entirely new approach to reinforcement placing and fixing
- Ultimate strength development is possible with short embedment depths
- Suitable for thin concrete sections, such as wall panels
- Full range of threaded fittings for joining, anchoring and terminating
- Splice at any point along the bar without specialised splicing equipment
- Reduces bar congestion problems
- Eliminates cast-in starter bars to simplify transport and handling
- Eliminates the need to drill holes in formwork and shutters for starter bars

Specifications and Sizes

Product Code	Bar Diameter (mm)	Nominal Thread Pitch (mm)	Characteristic Values			Mass (kg/m)	Nominal Area (mm ²)
			Yield Strength* (kN)	Ultimate Strength* (kN)	Shear* (0.62 x ultimate strength)		
RB12	12	8	56.5	61.0	37.8	0.91	113
RBA16	16	9	100.6	108.5	67.3	1.62	201
RBA20	20	10	157.0	169.6	105.2	2.53	314
RB25	25	12.9	245.5	265.1	164.4	3.95	491
RB32	32	16.4	402.0	434.2	269.2	6.47	804

Bar Diameter (mm)	Cross-sectional Area (mm ²)	Yield Stress (MPa)	Design Yield Capacity (kN)	Design Tensile Capacity (kN)	Max Tensile Working Load (kN)	Design Shear Capacity (0.62 min ult) (kN)	Minimum Hole for Clearance (mm)	Minimum Length 'a' for L bar with Coupler (mm) (5d _b pin)
RB12	113	500	56.5	61.0	39.0	37.8	15	145
RBA16	201		100.6	108.5	70.0	67.3	20	185
RBA20	314		157.0	169.6	109.0	105.2	24	230
RB25	491		245.5	265.1	171.0	164.4	29	295
RB32	804		402.0	434.2	281.0	269.2	38	365

* The load that a threaded insert can provide is dependent on its anchorage (refer to ReidBar™ Design Guide).

Note: InfraBuild reserve the right to change specifications without notice. Not all products are available at all InfraBuild Branches. Check with your local InfraBuild Branch for product availability. Warranties given on all accessories are manufacturers warranties only.

ReidBar™

This unique system consists of continuously threaded 500N Grade reinforcing bar and a complementary range of fittings and accessories that have been proven to simplify the detailing and fixing of reinforcing bar. ReidBar™ reinforcing bars can be cut and joined together at any point without the loss of strength, or the material wastage arising from lapped connections.

Note: Additional lead time is required for galvanized bars and fittings.

ReidBar™ is a hot-rolled, continuously coarse-threaded concrete reinforcing steel bar that complies with the requirements in AS/NZS 4671 for Class N reinforcing.

When used in conjunction with ReidBar™, it offers the designer flexibility to overcome challenging design or buildability issues. These tables list the material properties and the common accessories available for ReidBar™.

ReidBar™ Design Guide and case studies are available from www.infrabuild.com



Note: InfraBuild does not recommend ReidBar™ for use in formwork.

ReidBar™ Starter Bar System

Threaded ReidBar™ Starter Bar Systems have been developed to provide full-strength and positive connections between precast concrete panels, floor slabs and in situ suspended floors.

The system comprises ReidBar™ Threaded Inserts, ReidBar™ Starter Bars, specially designed Placement Chairs, Nailing Plates and Antenna Caps.

The versatility of the system allows the contractor to set up the ReidBar™ Inserts prior to the panel being poured or to 'puddle them in' before the panel is finished.

Whatever the method used, ReidBar™ Starter Bar Systems offer strength, stability, price effectiveness and ease of operation that you just don't get with standard N Bar starter bars.

Features

- Available in RB12, RBA16 and RBA20 – off the shelf
- Thread diameter is true to size – not an N20 bar with a thread turned down to 16 mm
- Coarse thread on the bar resists damage and minimises foreign materials blocking the threads of the cast-in ReidBar™ insert
- System components are purpose designed and offer speed of set up and installation either in the precast yard or on site
- Non-standard lengths are easily catered for as starter bars are cut from standard 6 or 12 m lengths of ReidBar™

Comparison Table ReidBar™ – Starter Bars vs N-bar Starter Bars

Product Code	Grade (MPa)	Metric Thread	Stressed Area (mm ²)	Maximum Force Capacity (kN)	Limit State Strength* ϕ_{sy} (kN)
N12	500	M10	58	22	17
RB12		RB12	113	57	45
N16		M12	84	32	25
RBA16		RBA16	201	101	80
N20		M16	157	59	47
RBA20		RBA20	314	157	126
N24		M20	245	92	74
RB25		RB25	491	246	196

* Refer to the Reid Design Manual

ReidBar™ Soil and Rock Anchoring

Features

- ReidBar™ has closely defined mechanical properties that provide consistent performance under long-term anchor loading
- Supplied in the hot-rolled condition
- Class N and smooth, relatively flat rate of strain hardening ensures a high margin of safety against tensile/shear overload in the case of transverse movements in the rock or soil
- Resists dynamic loads (e.g. traffic wheel loads)
- Preloading to the full working load ensures that the load transmitted to the anchorage medium (rock or soil) is constant; i.e. live loads are not transmitted to the anchorage medium
- Rugged thread is resistant to damage
- May be tensioned, released and re-tensioned with ease
- Simplicity in applying the prestress with jacks, torque wrenches or air operated tools
- The rigidity of the anchors makes them easy to install especially in overhead applications
- High shear bond as deformations are designed for shear interlock with concrete or resin
- Transmits the anchor forces efficiently to the grout body without additional fittings
- Offcut bars may be used for all standard concrete reinforcement applications in the construction site while small pieces are ideal for formwork, starter bars or hangers in underground works
- Can be cut and spliced at any point along its length

Mechanical Properties and Working Loads – ReidBar™

Product Code	Bar Diameter (mm)	Yield Stress* (MPa)	Strength* (kN)	Ult Strength* (kN)	Shear 0.62 ultimate* (kN)
RB12	12	500	56.5	61	37.8
RBA16	16		100.6	108.5	67.3
RBA20	20		157.0	169.6	105.2
RB25	25		245.5	265.1	164.4
RB32	32		402.0	434.2	269.2

* Minimum Characteristic

ReidBar™

Frequently Asked Questions

Is tightening torque critical in the performance of ReidBar™ components?

Provided the bar is screwed tightly against the centre stop, or fully through the component, whichever is appropriate, the full breaking strength of the bar will be developed.

Reid recommends using a wrench with a minimum length of 300 mm to ensure the bar is fully engaged.

Can ReidBar™ be bent and rebent?

Rebending ReidBar™ is not recommended because steel strain hardens when it is bent and loses some of its ductility, an effect that is usually increased when the steel is rebent.

Can cast ReidBar™ fittings be welded?

Although cast SG Iron fittings can be welded using specialised techniques it is not a recommended practice because it will degrade the strength and ductility of the fitting and it will no longer meet the performance characteristics stated in this manual. Hot forged nuts can be welded and nuts manufactured from free machining steels can also be welded but caution needs to be exercised if load capacity is critical. If you have further questions regarding welding contact Reid for clarification.

How does ReidBar™ connect one precast concrete element to another?

The best way to join two concrete elements is by casting a ReidBar™ Grout Sleeve into the top of the lower element and a ReidBar™ Coupler into the bottom

of the upper element. This eliminates the need for any starter bars protruding from the precast elements that are susceptible to damage and bending. Immediately prior to final placing a starter bar of the correct length is screwed into the coupler and non-shrink grout is poured into the grout sleeve cup.

The two elements are then brought together into the final position, levelled and propped.

Note: This pre-grout method avoids the necessity for casting in grout tubes and the need for a separate grouting operation. To effectively anchor a grout sleeve it requires a lap length of bar protruding from and screwed into the threaded end.

What is the best way of cutting ReidBar™ before joining?

It is preferable to cut ReidBar™ with an abrasive cut-off wheel or cut-off saw.

What end treatment is required before coupling?

If difficulty is encountered because of burring or distortion of the end during cutting or shearing then a light dressing with an angle grinder to remove the damage is all that is required.

What are the minimum cover requirements for ReidBar™ and fittings?

ReidBar™: Standard requirements for reinforcing must be observed. Refer to AS 3600 Concrete structures.

Components: Because the two main factors to be considered are Fire and Corrosion sufficient protection for the components should be specified by the designer according to the requirements of the application, taking into consideration the relevant standards and the following notes.

Fire: The temperature of the concrete reinforcing steel is affected by the cover of concrete over the full extent of the embedded bar. The temperature is averaged over the steel by conduction along its length which acts to quickly dissipate any localised temperature variations. A minor reduction in the cover in a very localised area (e.g. at a coupler) would therefore not lead to any significant increase in steel temperature and no increased loss in strength.

Corrosion: (1) Those metal ReidBar™ components not made of ductile iron require the same cover as the bar itself unless galvanized or otherwise protected.

(2) ReidBar™ components in sizes larger than RB12 are generally manufactured from alloyed high strength ductile iron. Ductile iron corrodes at about 30% of the rate of reinforcing steels and the products of the corrosion are not expansive. Therefore it does not lead to the spalling and flaking problems commonly associated with the corrosion of steels in concrete. Because of this good corrosion resistance cover for

Ductile Iron components can be reduced, although it is suggested that cover be maintained to at least 50% of standard requirements for reinforcing steel. The exception to the better corrosion resistance of ductile iron is sea water and in that case, it is preferable to use the same cover limitation as the bar.

Can the ReidBar™ system be used at temperatures below freezing?

All low-temperature applications should be considered carefully, especially where impact loads are also present.

ReidBar™ Stock

Typical Uses

- ReidBar™ is a 500N Grade continuous threaded reinforcing system, enabling fast, easy and efficient reinforcement connections in any concrete structure

Features

- Ultimate strength development is possible with short embedment depths
- Suitable for thin concrete sections, such as wall panels
- Full range of threaded fittings for joining, anchoring and terminating
- Splice at any point along the bar without specialised splicing equipment
- Reduces bar congestion problems
- Eliminates cast-in starter bars to simplify transport and handling
- Eliminates the need to drill holes in formwork and shutters for starter bars



Relevant Standards

- AS/NZS 4671 Steel for the reinforcement of concrete

ReidBar™ Stock – Black

Product Code	Diameter (mm)	Length (m)
RB12S6	12	6
RBA16S6	16	
RBA20S6	20	
RB25S6	25	
RB32S6	32	
RBA16S12	16	12
RBA20S12	20	
RB25S12	25	
RB32S12	32	

ReidBar™ Stock - Galvanized

Product Code	Diameter (mm)	Length (m)
RB12SG	12	6
RBA16SG	16	
RBA20SG	20	
RB25SG	25	
RB32SG	32	

Note: InfraBuild reserve the right to change specifications without notice. Not all products are available at all InfraBuild Branches. Check with your local InfraBuild Branch for product availability. Warranties given on all accessories are manufacturers warranties only.

ReidBar™ Processed

Typical Uses

- ReidBar™ is a 500N Grade continuous threaded reinforcing system, enabling fast, easy and efficient reinforcement connections in any concrete structure

Features

- Can be cut at any point along its length, then simply joined end to end by a coupler
- Ultimate strength development is possible with short embedment depths
- Suitable for thin concrete sections, such as wall panels
- Full range of threaded fittings for joining, anchoring and terminating
- Splice at any point along the bar without specialised splicing equipment
- Reduces bar congestion problems
- Eliminates cast-in starter bars to simplify transport and handling
- Eliminates the need to drill holes in formwork and shutters for starter bars



Relevant Standards

- AS/NZS 4671 Steel for the reinforcement of concrete

ReidBar™ Processed – Black	
Product Code	Diameter (mm)
RB12	12
RBA16	16
RBA20	20
RB25	25
RB32	32

ReidBar™ Processed - Galvanized	
Product Code	Diameter (mm)
RB12G	12
RBA16G	16
RBA20G	20
RB25G	25
RB32G	32

Note: Cut-to-length and / or bent-to-shape as required.

ReidBar™ Couplers

Reid™

Typical Uses

- Beams, columns, slab-to-slab, core wall and beam-to-slab applications

Features

- Internally threaded couplers for joining Grade 500N ReidBar™ lengths
- Provides continuity of reinforcing, especially for heavily congested areas
- Eliminates the need for lapping and protruding bars



ReidBar™ Couplers – Black

Product Code	Suit ReidBar™ (mm)	Length (mm)	Thread Depth (mm)	Body OD (mm)	Hex A/C (mm)
RB12C	12	90	43	22	29
RBA16C	16	102	47	30	34
RBA20C	20	129	55	33	42
RB25C	25	180	87	43	52
RB32C	32	210	102	55	66

ReidBar™ Couplers – Galvanized

Product Code	Suit ReidBar™ (mm)	Length (mm)	Thread Depth (mm)	Body OD (mm)	Hex A/C (mm)
RB12CG	12	90	43	22	29
RBA16CG	16	102	47	30	34
RBA20CG	20	129	55	33	42
RB25CG	25	180	87	43	52
RB32CG	32	210	102	55	66

ReidBar™ Nut

Reid™

Typical Uses

- Beams, columns, slab-to-slab, core wall and beam-to-slab applications
- Fastening of structural elements
- Bracing and tie-back applications
- Soil anchorings



ReidBar™ Nut – Black

Product Code	Suit ReidBar™ (mm)	Length (mm)	Hex A/F (mm)	Hex A/C (mm)
RB12N	12	40	25	25
RBA16N	16	45	30	34
RBA20N	20		36	42
RB25N	25	65	46	53
RB32N	32	82	55	63.5

ReidBar™ Nut – Galvanized

Product Code	Suit ReidBar™ (mm)	Length (mm)	Hex A/F (mm)	Hex A/C (mm)
RB12NG	12	40	25	25
RBA16NG	16	45	30	34
RBA20NG	20		36	42
RB25NG	25	65	46	53
RB32NG	32	82	55	63.5

ReidBar™ Threaded Insert

Reid™

Typical Uses

- Beams, columns, slab-to-slab, core wall-to-slab and beam-to-slab applications

Features

- Cast into concrete and designed to accept ReidBar™
- Provides full anchorage in thin walled panels
- Ensures sufficient embedment to develop the full strength of the bar
- On-site bending of bar is eliminated and site efficiencies are improved, resulting in faster floor cycles



ReidBar™ Threaded Inserts – Black

Product Code	Suit ReidBar™ (mm)	Length (mm)	Thread Length (mm)	OD (mm)	Foot Diameter (mm)
RB12TI	12	100	53	22	38
RBA16TI	16	118	47	30	50
RBA20TI	20	148	60	35	64
RB25TI	25	191	78	43	80
RB32TI	32	210	102	55	101

ReidBar™ Threaded Inserts – Galvanized

Product Code	Suit ReidBar™ (mm)	Length (mm)	Thread Length (mm)	OD (mm)	Foot Diameter (mm)
RB12TIG	12	100	53	22	38
RBA16TIG	16	118	47	30	50
RBA20TIG	20	148	60	35	64
RB25TIG	25	191	78	43	80

ReidBar™ Grout Sleeve

Reid™

Typical Uses

- Precast elements and tilt-wall panels
- Connecting ReidBar™ lengths where one side of the connection must be female or when converting to standard reinforcing bar. The internal surfaces are ribbed to ensure full bar break after sleeve has been filled with high-performance cementitious grout (65 MPa, 28-day compressive strength)
- Connecting ReidBar™ lengths where one side of the connection cannot be spun
- Converting to standard reinforcing bar or for vertical connections where continuity of reinforcing is required



Product Code	Size (mm)	Length (mm)	Depth (mm)	Thread OD (mm)	Max Bar Embedment (mm)
RBA16GS	16	240	47	50	190
RBA20GS	20	290	55	60	224
RB25GS	25	360	78	70	274
RB32GS	32	445	109	75	320

ReidBar™ Galvanized Base Plate and Spherical Washers

Reid™

Typical Uses

- Soil nailing and rock anchoring when the ReidBar™ is not perpendicular to the bearing face

Features

- Accommodates an inclination up to 20 degrees



ReidBar™ Galvanized Base Plate

Product Code	Suit ReidBar™ (mm)	Length /width (mm)	Thickness (mm)
RBA20BPG	16 Or 20	100	6
RB32BPG	25 or 32	150	10

ReidBar™ Galvanized Spherical Washers

Product Code	Suit ReidBar™ (mm)	Dimensions – OD x ID x T (mm)
RBA20SWG	16 or 20	50 x 24 x 18
RB32SWG	25 or 32	70 x 37 x 24

ReidBar™ Metric Threaded Couplers

Reid™

Typical Uses

- Ideal when a fully engineered, full capacity fixing is required close to an edge of a panel or at close spacings

Features

- Galvanized finish



Product Code	Suit (mm)	Length (mm)	Metric Thread Length (mm)	Hex A/C (mm)
RB12M16CG	RB12 to M16	90	40	29
RBA16M20CG	RBA16 to M20	102	45	34
RBA20M24CG	RBA20 to M24	119	45	43

Note: InfraBuild reserve the right to change specifications without notice. Not all products are available at all InfraBuild Branches. Check with your local InfraBuild Branch for product availability. Warranties given on all accessories are manufacturers warranties only.

ReidBar™ Polyurethane Board

Reid™

Typical Uses

- Max board length – 1200 mm
- Customised to suit ReidBar™ connection size and spacing specifications



Product Code	Type	Width (mm)	Thickness (mm)	Length (mm)	Mass (kg/m)
RBBOARDS	Single	90	30	As required	2.8
RBBOARDDD	Double	180			5.6

ReidBar™ Rebate Insert

Reid™

Typical Uses

- Precast wall panels

Features

- Designed to be used in thin walled panels and panels with rebates, where standard ReidBar™ Inserts will not fit
- Includes a cross hole to suit N12 bar
- Minimum rebate of 25 mm required to achieve bar break connection



Product Code	Suit ReidBar™ (mm)	Length (mm)	Thread Depth (mm)	Foot Dia (mm)	Cross Hole Dia (mm)
RB12RI	12	78	53	39	14.5
RBA16RI	16	96	47	51	

ReidBar™ Caps

Reid™

Features

- Plastic
- Antenna caps are used to seal and locate Reidbar fittings in 'near face' applications
- Sealing caps used to protect the internal thread of the threader inserts or couplers



(Antenna cap shown)

ReidBar™ Antenna Caps

Product Code	Suit Fittings (mm)
RB12AC	12
RBA16AC	16

ReidBar™ Sealing Caps

Product Code	Suit Fittings (mm)
RB16CAP	16
RB20CAP	20
RB25CAP	25
RB32CAP	32

ReidBar™ Tilt Wall Panel

Reid™

Typical Uses

- Precast and tilt-up panels

Features

- Enables ReidBar™ inserts to be easily used in near-face applications
- Fully adjustable
- Can be used for all metric and coil thread inserts with appropriate nailing plate



Product Code	Suit Panel Thickness (mm)	No./Box
RBTICHAIR	125 – 200	90

ReidBar™ Nailing Plates

Reid™

Features

- Plastic
- Support for fixing to formwork for positioning all ReidBar™ fittings



Product Code	Suit Fittings (mm)
RB12NP	12
RBA16NP	16
RBA20NP	20
RB25NP	25
RB32NP	32

ReidBar™ Reidbrace™

Reid™

Features

- Eliminates expensive threaded rods
- Eliminates welding and threading
- Over-length bar can be cut without dismantling the bracing assembly
- All components sold separately
- Engineered design, tested and certified to exceed the ultimate capacity of the Grade 500N ReidBar™



Product Code	Suit
RB12BRACE	RB12 and RBA16
RBA20BRACE	RBA20
RB25BRACE	RB25 and RB32
RB12BRACEEND	RB12
RBA16BRACEEND	RBA16
RBA20BRACEEND	RBA20
RB25BRACEEND	RB25
RB32BRACEEND	RB32

Note:

All components are sold separately.

Additional two ReidBar™ nuts are required for each Reidbrace™

ReidBar™ Reidbox Threaded Insert

Reid™

Typical Uses

- Core wall-to-slab applications

Features

- Pre-assembled boxes
- Offers a fast, cost-effective way to position and locate ReidBar™ threaded inserts



Product Code	Suit ReidBar™ Threaded Insert (mm)	Insert Spacing (mm)	Inserts/Box
RBA16BOX150TI	16	150	5
RBA16BOX150TI2			2
RBA16BOX150TI3			3
RBA16BOX200TI		200	4
RBA16BOX200TI2			2
RBA16BOX200TI3			3
RBA16BOX300TI3			300
RBA20BOX150TI	20	150	5
RBA20BOX150TI2			2
RBA20BOX150TI4			4
RBA20BOX200TI		200	2
RBA20BOX200TI2			2
RBA20BOX200TI3			3
RBA20BOX250TI3			250
RBA20BOX300TI3		300	
RB25BOX150TI2	25	150	2
RB25BOX150TI3			3
RB25BOX150TI4			4
RB25BOX150TI5			5
RB25BOX200TI2			200
RB25BOX200TI3		3	
RB25BOX200TI4		4	
RB25BOX300TI2		300	2
RB25BOX300TI3			3
RB32BOX150TI5	32	150	5
RB32BOX200TI2		200	2
RB32BOX200TI3			3
RB32BOX200TI4			4
RB32BOX300TI3		300	3

Note: InfraBuild reserve the right to change specifications without notice. Not all products are available at all InfraBuild Branches. Check with your local InfraBuild Branch for product availability. Warranties given on all accessories are manufacturers warranties only.

Dextra

Dextra Griptec[®] mechanical splices are a full-performance system covering tensions, compression, cyclic and fatigue. Dextra Griptec[®] are roads authority approved and conform to the slip requirements of AS 3600 and AS 5100.

Griptec[®] Standard Couplers

Dextra

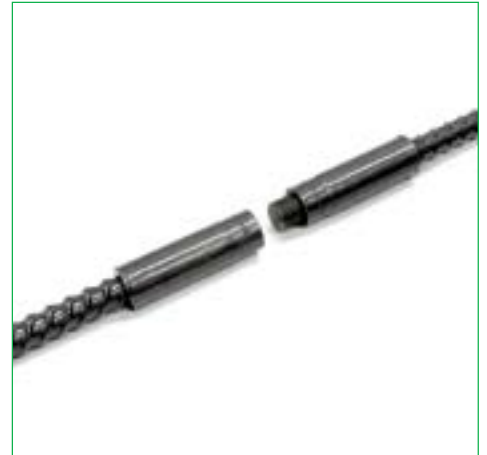
Dextra Griptec[®] has a patented extrusion process that includes a systematic, non-destructive tensile test that performs a tension test. Standard Dextra Griptec[®] splices are achieved by use of a standard female coupler and a standard male coupler of the matching size.

Typical Uses

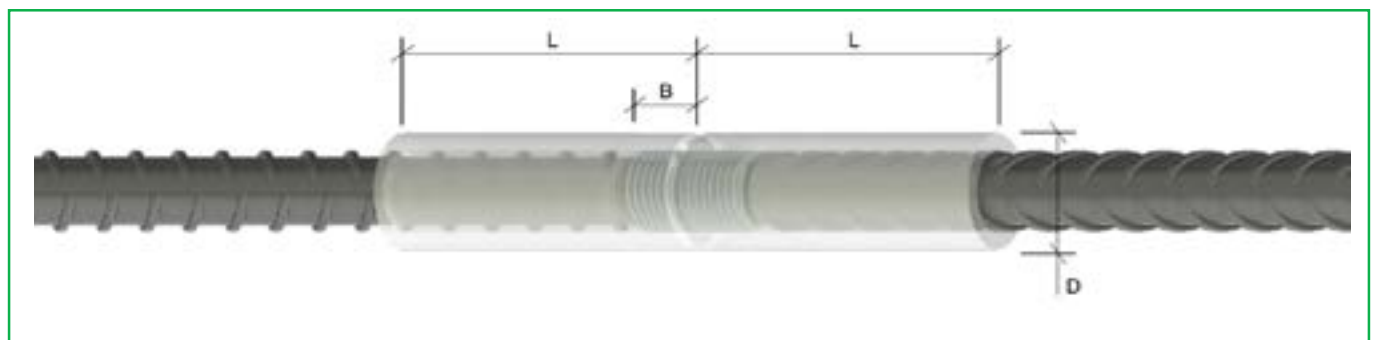
- Dextra Griptec[®] Standard Couplers provide an easy connection by bar rotation until full thread engagement

Features

- Roads authority approved system
- A full-performance (tension, compression, cyclic, fatigue) mechanical splice designed for the connection of reinforcing bars



Product Code (Male)	Product Code (Female)	Suit Bar Diameter (mm)	D (mm)	B (mm)	L (mm)
GT12CM	GT12CF	12	19	16	72
GT16CM	GT16CF	16	25	21	100
GT20CM	GT20CF	20	31	25	110
GT24CM	GT24CF	24	38	26	120
GT28CM	GT28CF	28	42	30	105
GT32CM	GT32CF	32	47	40	140
GT36CM	GT36CF	36	54	41	143
GT40CM	GT40CF	40	61	52	170



Note: InfraBuild reserve the right to change specifications without notice. Not all products are available at all InfraBuild Branches. Check with your local InfraBuild Branch for product availability. Warranties given on all accessories are manufacturers warranties only.

Griptec® Position Couplers

Dextra

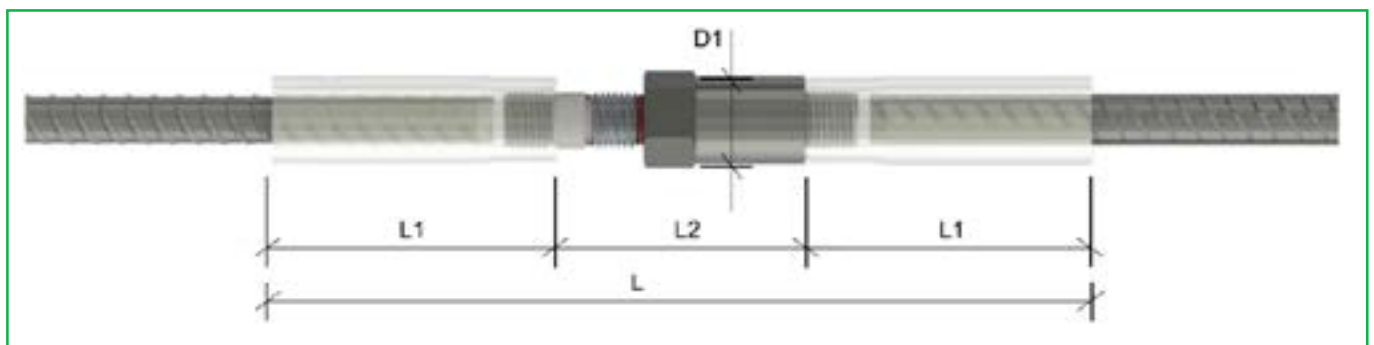
The Dextra Griptec® position coupler assembly is made of a threaded stud, a position coupler and a lock nut.

Typical Uses

- When both reinforcing bars cannot be rotated, a Dextra Griptec® Position Coupler (incorporating a lock nut) can then be used together with standard male and female sleeves



Product Code	Suit Bar Diameter (mm)	D1 (mm)	L1 (mm)	L2 (mm)	L (mm)
GT12CP	12	19	72	60	204
GT16CP	16	25	100	77	277
GT20CP	20	34	110	94	314
GT24CP	24	40	120	107	347
GT28CP	28	44.5	105	119	329
GT32CP	32	50	140	134	414
GT36CP	36	56	143	150	436
GT40CP	40	64	170	162	502



Griptec® Bridging Couplers

Dextra

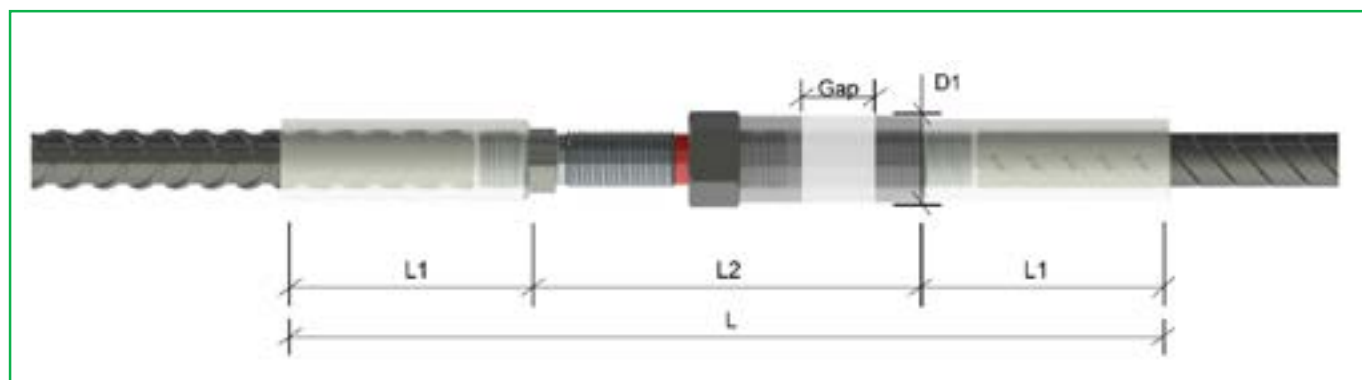
This Dextra Griptec® bridging coupler assembly is made of a threaded stud, a bridging coupler and a lock nut.

Typical Uses

- When the reinforcing bars cannot be rotated nor be brought butt to butt, a Griptec® Bridging Coupler (incorporating a lock nut) can then be used together with standard male and female sleeves



Product Code	Suit Bar Diameter (mm)	D1 (mm)	L1 (mm)	L2 (mm)	L (mm)	GAP (mm)
GT12CB	12	19	72	131	275	35
GT16CB	16	25	100	150	350	36
GT20CB	20	34	110	167	387	37
GT24CB	24	40	120	196	436	45
GT28CB	28	44.5	105	205	415	44
GT32CB	32	50	140	220	500	
GT36CB	36	56	143	240	526	45
GT40CB	40	64	170	254	594	47



Unitec® Couplers

Dextra

Typical Uses

- Dextra Unitec® is a shear-bolt coupling system for the connection of concrete reinforcement bars from 12 to 50 mm

Features

- The Dextra Unitec® system does not require any bar end preparation
- Roads authority approved system



Product Code	Suit Bar Diameter (mm)	Outside Diameter (mm)	Length (mm)	Mass (kg)	Bolts per Coupler	Bolt Size	Average Torque to Shear Bolts (Nm)
UNITEC12	12	48	140	1.5	6	M12	140
UNITEC16	16	48	140	1.6	6	M12	140
UNITEC20	20	59	180	2.5	8	M16	140
UNITEC24	24	62	240	2.8	6	M16	250
UNITEC28	28	76	220	6.8	6	M20	680
UNITEC32	32	83	280	8.5	8	M20	680
UNITEC36	36	89	360	12.2	10	M20	680
UNITEC40	40	95	425	15.4	12	M20	680

Sonitec Tubes

Dextra

Typical Uses

- Verification of depth of foundation
- Coring
- Post-grouting

Features

- Enlarged end makes connection between two tubes easy
- Bell mouth and rubber gasket ensure concrete-tight joint
- Fast and easy handling



Product Code	Description	Diameter (mm)	Length (mm)	Wall Thickness (mm)
STTUBE501	Tube	50	5800	1
STCAP501	Cap	50	75	–
STGASKET502	Gasket	51	46	2

Note: InfraBuild reserve the right to change specifications without notice. Not all products are available at all InfraBuild Branches. Check with your local InfraBuild Branch for product availability. Warranties given on all accessories are manufacturers warranties only.

Griptec® Anchor Plates

Dextra

Dextra Griptec® Anchor Plates are an efficient alternative to L-shaped/hooked bars as end anchorages in congested areas.

Typical Uses

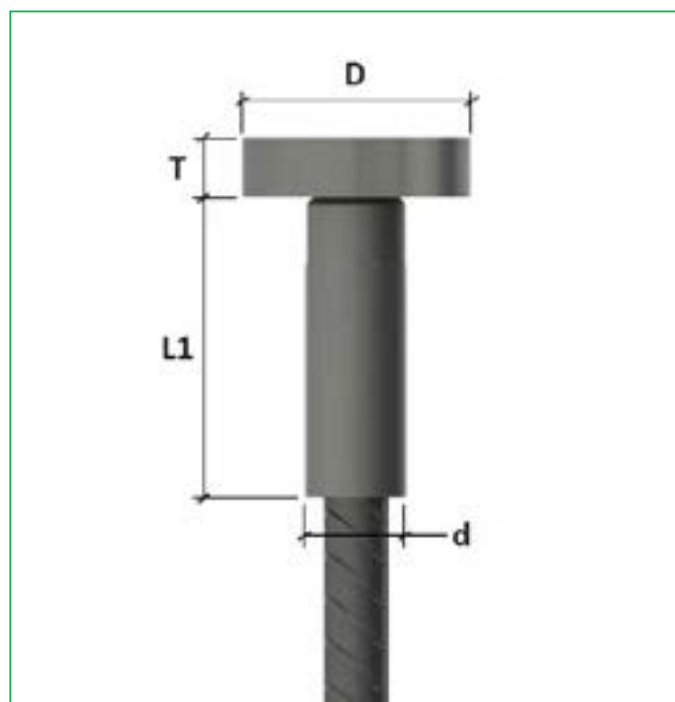
- Beam-column connections, pile caps, cantilevered members, corbels

Features

- Standard Griptec anchor plates are circular, and are fixed to the bar end by screwing them onto male sleeve



Product Code	Suit Bar Diameter (mm)	D (mm)	T (mm)	L1 (mm)	d (mm)	Net Surface Area (mm ²)	Area Ratio
GT12AP	12	45	12	72	19	1307	12
GT16AP	16	55	16	100	25	1873	9
GT20AP	20	70	20	110	31	3094	10
GT24AP	24	90	22	120	38	5228	12
GT28AP	28	95	25	105	42	5722	9
GT32AP	32	110	32	140	47	7768	10
GT36AP	36	125		143	54	9982	
GT40AP	40	140	38	170	61	12471	



Note: InfraBuild reserve the right to change specifications without notice. Not all products are available at all InfraBuild Branches. Check with your local InfraBuild Branch for product availability. Warranties given on all accessories are manufacturers warranties only.

Griptec® Weldable Couplers

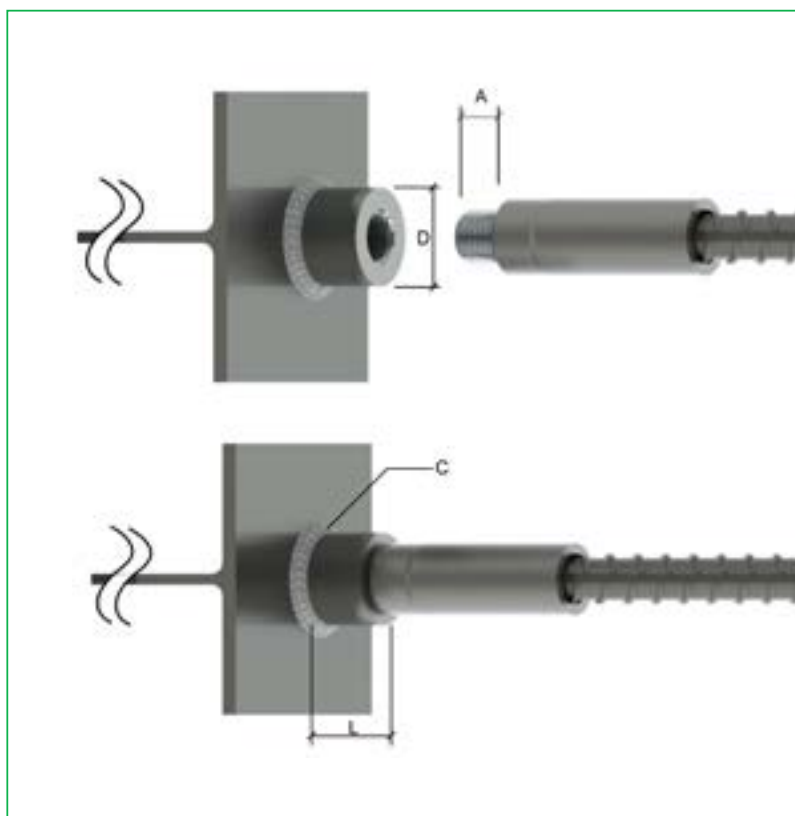
Dextra

Typical Uses

- For composite construction where concrete reinforcement bars must be welded to structural steel



Product Code	Suit Bar Diameter (mm)	D (mm)	L (mm)	A (mm)	C (mm)
GT12CW	12	22	18	12	4
GT16CW	16	28	25	16	5
GT20CW	20	38	35	20	5
GT24CW	24	45	39	22	6
GT28CW	28	50	45	25	5
GT32CW	32	55	40	28	7
GT36CW	36	65	47	32	8
GT40CPW	40	72	51	34	9



Note: InfraBuild reserve the right to change specifications without notice. Not all products are available at all InfraBuild Branches. Check with your local InfraBuild Branch for product availability. Warranties given on all accessories are manufacturers warranties only.

Griptec® Transition Stud

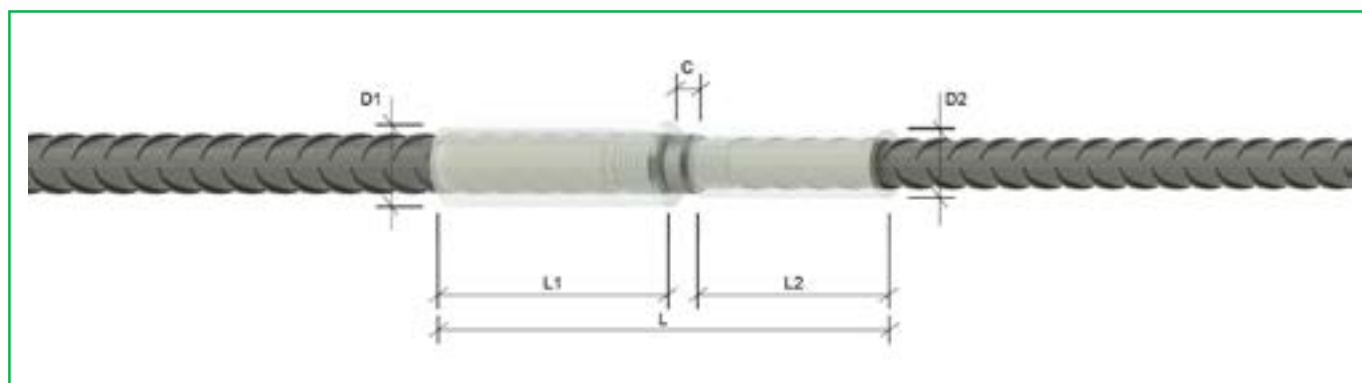
Dextra

Typical Uses

- When there is a need to splice bars of different sizes, the Griptec® Transition Stud connects two standard male sleeves with a two-stepped threaded stud



Product Code	D1 (mm)	D2 (mm)	L1 (mm)	L2 (mm)	C (mm)	L (mm)
GT1216TS	22	19	85	72	8	165
GT1220TS	31		110		100	11
GT1620TS		38		25		120
GT1624TS	31		140		110	
GT2024TS		47		38		170
GT2032TS	42		42		140	
GT2428TS		47		47		143
GT2432TS	61		54		170	
GT2440TS		47		42		140
GT2832TS	54		47		143	
GT3236TS		61		54		170
GT3240TS	47		42		140	
GT3640TS		54		47		143



BT Type A Couplers

Ancon®

The Ancon® BT coupler system consists of two threaded bars that are connected through an internally threaded coupler. The Type A system utilises an Ancon® BT coupler and two reinforcing bars with Type A threads. To produce a Type A thread the bar end is upset and threaded for half the length of the coupler. The Type A system is suitable for applications where the continuation bar can be rotated.



Typical Uses

- Mechanical splicing of reinforcing bars
- Used for applications where the continuation bar can be rotated

Features

- Available in a wide variety of sizes
- Utilises internally threaded couplers with a single right hand thread
- Fully compliant with roads authority requirements

Relevant Standards

- AS 3600 *Concrete structures*
- AS 5100.5 *Bridge design: Concrete*

Product Code	Suit Bar Size (mm)	Coupler Length (mm)	Coupler Outside Diameter (mm)
BT12A	12	28	22
BT16A	16	40	30
BT20A	20	48	35
BT24A	24	60	42
BT28A	28	66	48
BT32A	32	78	55
BT36A	36	92	60
BT40A	40	98	65

BT Type B Couplers

Ancon®

The Type B system utilises an Ancon® BT coupler and two reinforcing bars, one with a Type A thread and the other with a Type B thread. The Type B thread is produced in a similar way to a Type A thread but with a thread length equal to the full coupler length.

Typical Uses

- Mechanical splicing of reinforcing bars
- Used for applications where it is difficult but not impossible to rotate the continuation bar

Features

- Available for all common reinforcing bar diameters
- Utilises internally metric threaded couplers
- Only requires partial rotation of the continuation bar
- Fully compliant with roads authority requirements

Relevant Standards

- AS 3600 *Concrete structures*
- AS 5100.5 *Bridge design: Concrete*



Product Code	Suit Bar Size (mm)	Coupler Length (mm)	Coupler Outside Diameter (mm)
BT12B	12	28	22
BT16B	16	40	30
BT20B	20	48	35
BT24B	24	60	42
BT28B	28	66	48
BT32B	32	78	55
BT36B	36	92	60
BT40B	40	98	65

BT Type C Couplers

Ancon®

The Type C system utilises an Ancon® BT coupler, two locknuts and two reinforcing bars, one with a Type C1 thread and the other with a Type C2 thread. To produce a Type C1 thread the bar end is upset and threaded to a length equal to half the length of the coupler plus the length of a locknut. The Type C2 thread is produced in a similar way with a thread length equal to the full coupler length plus a locknut.

Typical Uses

- Mechanical splicing of reinforcing bars
- Used for applications where the continuation bar cannot be rotated

Features

- Available for all common reinforcing bar diameters
- Utilises internally metric threaded couplers
- Does not require any rotation of the continuation bar
- Fully compliant with roads authority requirements



Relevant Standards

- AS 3600 *Concrete structures*
- AS 5100.5 *Bridge design: Concrete*

Couplers BT – Type C

Product Code	Suit Bar Size (mm)	Coupler Length (mm)	Coupler Outside Diameter (mm)
BT12C	12	28	22
BT16C	16	40	30
BT20C	20	48	35
BT24C	24	60	42
BT28C	28	66	48
BT32C	32	78	55
BT36C	36	92	60
BT40C	40	98	65

Lock Nut

Product Code	Suit Bar Size (mm)	Coupler Length (mm)	Coupler Outside Diameter (mm)
BT12LN	12	11	22
BT16LN	16	16	30
BT20LN	20	19	34
BT24LN	24	24	42
BT28LN	28	26	48
BT32LN	32	29	55
BT36LN	36	34	60
BT40LN	40	36	65

Note: InfraBuild reserve the right to change specifications without notice. Not all products are available at all InfraBuild Branches. Check with your local InfraBuild Branch for product availability. Warranties given on all accessories are manufacturers warranties only.

BT Headed Anchors

Ancon®

Ancon® BT Headed Anchors create an anchorage in the concrete, replacing the need for coggled or hooked bar ends. They can simplify scheduling and bar placement, and reduce congestion in the concrete. Ancon® BT Headed Anchors are internally threaded with metric threads to suit the BT coupler system. They create a full strength joint, the mode of failure being bar break.

Typical Uses

- Anchorage of reinforcement bars
- Replaces the need for coggled or hooked bar ends by creating an anchorage in the concrete

Features

- Meets requirements of AS 3600
- Minimises embedment lengths – reduces congestion

Relevant Standards

- AS 3600 *Concrete structures*



Product Code	Suit Bar Size (mm)	Length (mm)	External Diameter (mm)
BTANCHOR12	12	16	38
BTANCHOR16	16	20	50
BTANCHOR20	20	24	64
BTANCHOR24	24	30	76
BTANCHOR28	28	33	89
BTANCHOR32	32	36	102
BTANCHOR36	36	42	114
BTANCHOR40	40	45	127

MBT Couplers

Ancon®

MBT Couplers provide a method of joining reinforcing bars without the need of bar end preparation such as threading. Bars are locked in place by two serrated saddles and a series of special lockshear bolts, the heads of which shear off when the predetermined tightening torque is reached, providing a visual check of correct installation.

Typical Uses

- Column splicing, bridge applications, piling, splicing to protruding dowels cast in concrete, closure pours, beams

Features

- Mechanically bolted coupler that doesn't require bar end preparation or rotation
- The bolt heads shear off at a predetermined torque to provide an instant check of correct installation.
- Can be used in applications where traditionally couplers do not work

Relevant Standards

- AS 3600 *Concrete structures*
- AS 5100.5 *Bridge design: Concrete*



Product Code	Suit Bar Size (mm)	No. of Bolts	Length (mm)	Coupler Outside Diameter (mm)	Mass (kg)
MBT12	12	6	140	33	0.7
MBT16	16		160	42	1.2
MBT20	20	8	204	48	2
MBT24	24		258	54	3
MBT28	28	10	312	67	5.8
MBT32	32			71	6.5
MBT36	36	12	420	75	8.6
MBT40	40	14	484	81	11.3

MBT Headed Anchors

Ancon®

MBT Headed Anchors replace the need for coggled or hooked bar ends by creating an anchorage in the concrete. MBT Headed Anchors can simplify scheduling and rebar placement, and reduce congestion in the concrete. They do not require any bar end preparation or rotation of the connected bar.

Typical Uses

- Replaces the need for coggled or hooked bar ends by creating an anchorage in the concrete
- Pile caps

Features

- Provides end anchorage
- Reduces congestion
- Can be used in applications where traditional end anchors do not work

Relevant Standards

- AS 3600 *Concrete structures*



Product Code	Suit Bar Size (mm)	No. of Bolts	Length (mm)	Anchor Head Size L x W x T (mm)	Mass (kg)
MBTHA12	12	3	85	70 x 70 x 10	1
MBTHA16	16		92	80 x 80 x 10	1.1
MBTHA20	20	4	114	90 x 90 x 10	1.9
MBTHA24	24		139	100 x 100 x 10	2.4
MBTHA28	28	5	168	110 x 110 x 12	4
MBTHA32	32		171	130 x 130 x 15	5.1
MBTHA36	36	6	230	150 x 150 x 15	7.2
MBTHA40	40	7	262		7.7

KSN Anchors

Ancon®

The use of KSN Anchors with BT threaded reinforcing bars can simplify concrete design at construction joints, typically in wall-to-slab applications. The anchor is cast into the face of the concrete wall. When the formwork and thread protection is removed, the KSN Anchor is ready to receive a reinforcing starter bar that is equipped with an Ancon® BT Thread. Once all other reinforcement is installed, the adjoining slab is cast to complete the installation.



Typical Uses

- Slab-to-wall connections

Features

- Eliminates the drilling of formwork or concrete and the dangers associated with projecting bars and on-site bar straightening
- Replaces cogged or hooked bar ends simplifying bar scheduling
- Minimises congestion in the wall

Relevant Standards

- AS 3600 *Concrete structures*

Product Code	Suit Bar Size (mm)	Length (mm)	Thread (mm)	Mass (kg)
KSN12115	12	115	M14 x 2.0	0.39
KSN12150		150		0.43
KSN16130	16	130	M20 x 2.5	0.66
KSN16160		160		0.81
KSN16190		190		0.95
KSN20150	20	150	M24 x 3.0	0.99
KSN20190		190		1.25
KSN20230		230		1.51

KSN Nailing Plates

Ancon®

Typical Uses

- Securely fasten KSN Anchors to formwork during concrete pour

Features

- They share the same thread as Ancon® BT Reinforcement Couplers meaning they can be used to connect couplers to the formwork wherever the Ancon® BT System is used at construction joints



Product Code	Suit Bar Size (mm)	Colour	Quantity Per Bag
KSN12NP	12	Orange	100
KSN16NP	16	Blue	
KSN20NP	20	Yellow	

Shearfix Punching Shear Reinforcement

Ancon®

Shearfix is a custom-made concrete accessory designed to be used as punching shear reinforcement around columns. Ancon® Shearfix is suitable for flat plate construction and offers advantages over loose shear links, which can be time-consuming to install. The custom-made system consists of double-headed studs welded to flat rails, which are positioned in the slab around the column. The studs are welded to the rail at the centres specified in the design to ensure installation at the most effective position. Ancon® provides free software to determine the optimum system design.



Typical Uses

- Column/floor intersection and flat slab construction

Features

- Provides resistance to punching shear failure
- Easy to install either 'top down' or 'bottom up', depending on user preference
- Custom-made to suit
- Faster to install compared to loose shear links
- Free software available through Ancon®
- Lead time applies

LENTON® Couplers – Type A12

nVENT

The nVent LENTON® self-aligning, taper-threaded design provides for ease of installation, consistent performance and durability. LENTON® systems conform to AS 3600 Concrete structures.

Features

- Self-aligning tapered thread
- Provides strength in tension, compression and stress reversal applications
- Quick and easy to install
- Provides load transfer



Product Code	Suit Bar Diameter (mm)	Length (mm)	Outside Diameter (mm)	Thread Depth (mm)
LA1212	12	50	17	19
LA1216	16	61	22	24
LA1220	20	87	27	35
LA1224	24	97	35	40
LA1228	28	101	40	42
LA1232	32	108	45	45
LA1236	36	121	50	52
LA1240	40	131	55	57

LENTON® Couplers – Type P13

nVENT

Typical Uses

- Joining prefabricated cages, bored pile cages and diaphragm walls

Features

- Tapered thread provides positive locking to reduce ‘slip’
- Designed to splice two curved, bent or straight bars, when neither bar can be rotated



Product Code	Suit Bar Diameter (mm)	Length (mm)	Extended Length (mm)	OD (mm)
LP1312	12	124	159	22
LP1316	16	144	186	27
LP1320	20	199	260	33
LP1324	24	221	287	41
LP1328	28	229	298	46
LP1332	32	249	321	52
LP1336	36	271	349	58
LP1340	40	290	374	64

LENTON® Weldable Couplers – Type C13

nVENT

Typical Uses

- Designed for connecting reinforcing bar to structural steel sections or plate

Features

- Made of low carbon steel suitable for welding
- Preformed J groove to receive weld
- Provides load transfer



Product Code	Suit Bar Diameter (mm)	Length (mm)	Outside Diameter (mm)	Thread Depth (mm)
LC1312	12	40	20	19
LC1316	16	45	25	24
LC1320	20	59	30	35
LC1324	24	68	40	40
LC1328	28	74		42
LC1332	32	75	50	45
LC1336	36	87		52
LC1340	40	91	60	57

LENTON® Lock nVENT

Typical Uses

- Column splicing, bridge applications, piling
- Splicing to protruding dowels cast in concrete
- Closure pours
- Beams
- Repair and renovations

Features

- Works in repair, bent bar, retrofit, precast and new construction applications
- The bolt heads shear off at a predetermined torque to provide an instant check of correct installation



Product Code	Suit Bar Diameter (mm)	Length (mm)	Outside Diameter (mm)	Mass (kg)
LL12	12	127	29	0.6
LL16	16	159	35	0.9
LL20	20	222	48	1.7
LL24	24	254	54	3.4
LL28	28	287	60	4.6
LL32	32	323	65	5.9
LL36	36	358	72	7.8
LL40	40	400	80	10.9

LENTON® Terminator

nVENT

Typical Uses

- Simplified rebar placement

Features

- D16 = 5 x bar cross section area
- D14 = 10 x bar cross section area available
- Eliminates rebar hook – simplifies bar placement
- Minimises embedment lengths – reduces congestion
- Allows greater design flexibility
- Faster installation lowers in-place costs



nVent Lenton® Anchor Terminator – Type D14

Product Code	Suit Bar Diameter (mm)	Length (mm)	Outside Diameter (mm)	Area Ratio
LT12D14	12	18	45	14
LT16D14	16	24	55	12
LT20D14	20	35	65	11
LT24D14	24	40	80	11
LT28D14	28	42	95	12
LT32D14	32	45	105	11
LT36D14	36	52	115	10
LT40D14	40	58	130	11

nVent Lenton® Anchor Terminator – Type D16

Product Code	Suit Bar Diameter (mm)	Length (mm)	Outside Diameter (mm)	Area Ratio
LT12D16	12	19	28	5
LT16D16	16	24	36	5
LT20D16	20	35	45	5
LT24D16	24	40	57	6
LT28D16	28	42	64	5
LT32D16	32	46	72	5
LT36D16	36	52	81	5
LT40D16	40	58	89	5

Mechanical Splicing



According to AS 3600, splices shall be made by mechanical splices, by welding, or by lapping.



Use of mechanical splices offers several advantages as opposed to the use of lapping or welding.

- Splices for tension-tie members and for bars with diameter larger than 40 mm
- Reduces bar congestion problems in heavily reinforced areas due to lapping, cogs, etc.
- Eliminates cast-in starter bars to simplify transport and handling
- Eliminates the need to drill holes in formwork and shutters for starter bars
- Eliminates material wastage arising from lapped connections
- Offers the designer flexibility to overcome challenging design or buildability issues

InfraBuild Construction Solutions offers a wide range of mechanical splicing products and services which include:

ReidBar™

ReidBar™ is a 'bar break' system such that the ReidBar™ itself is designed to yield well before the ReidBar™ connections. ReidBar™, a parallel and continuously course-threaded Grade 500N reinforcing bar, is a revolutionary development in reinforcement placement and fixing which allows reinforcing to be cut at any point and screwed into one of the large variety of ReidBar™ components. ReidBar™ is available in stock at InfraBuild Construction Solutions, therefore has a short lead-time.

LENTON®

LENTON® System is a unique self-aligning taper thread mechanical splice that provides continuity and structural integrity. Quick and easy to install, LENTON® System provides excellent cyclic performance and a full load transfer with full strength in tension, compression and stress reversal applications. The LENTON® System requires torque using wrench to tighten the connection due to its taper threads, while other systems only require hand tightening. The LENTON® System is roads authority approved and conforms to the slip requirements of AS 3600 and AS 5100.

Griptec®

Griptec® mechanical splices are a full-performance system covering tensions, compression, cyclic and fatigue. Griptec® has a patented extrusion process that includes a systematic, non-destructive tensile proof testing. The Griptec® mechanical splice system consists of roll-threaded sleeves that are extruded onto the reinforcing bar ends. A combination of male and female sleeves creates the connection. Designed for the connection of concrete reinforcing bars in sizes Ø12 through 40 mm. The Griptec® system uses isometric parallel threads, so its mechanical performance in compression equals that in tension. Griptec® is roads authority approved and conforms to the slip requirements of AS 3600 and AS 5100.

BT System

BT System is designed to exceed the tensile strength of reinforcing bars to AS 3600 and AS 4671. The BT system is one of the smallest and the most cost-effective coupler systems when used on large-scale, high-coupler volume projects. The ends of the bars are enlarged and a parallel thread is cut onto the ends to suit the coupler. The BT system is roads authority approved and conforms to the slip requirements of AS 3600 and AS 5100.



ONESLAB®

Make slab installation easy



InfraBuild's ONESLAB® **Waffle Slab** and **Slab-on-ground** packages are an all-inclusive, fixed-price solution for builders and concreters. With quicker installation than traditional slabs and delivery scheduled to ensure there's no downtime, they provide greater control over costs and reduce on-site labour requirements. Prefabricated specified footing cages can be supplied for difficult sites.



Inclusive slab solution



Reduces downtime



Streamlined admin



Guaranteed sqm price

Waffle Slab Package includes:

- ONEMESH®
- Reinforcing Bars
- Bar Chairs
- Tie Wires
- Plastic Sheeting
- Polystyrene Waffle Pods
- Spacers
- Tape

Slab-on-ground Package includes:

- ONEMESH®
- Trench Mesh
- Reinforcing Bars
- Bar Chairs
- Ties Wires
- Plastic Sheeting
- Tape



www.infrabuild.com

a company of
LIBERTY

Polystyrene Pods

Polystyrene Pods

Typical Uses

- Void former
- Designed for residential, commercial and industrial slabs

Features

- Lightweight and durable
- Made from recyclable material
- Lowers the amount of concrete required for a build
- Polystyrene pods provide under-slab insulation and support
- Reduction of soil movement



Product Code	Height (mm)	Dimensions (mm)
POD150	150	1100 x 1100
POD175	175	
POD225	225	
POD300	300	
POD375	375	

Compressible Void Former

Typical Uses

- To alleviate ground forces on concrete slabs

Features

- Compressible
- Light weight
- Recycled material



Product Code	Height (mm)	Dimensions (mm)
POD140C	140	1100 x 1100
POD225C	225	
POD300C	300	

TRIPOD® Pod Chair

Typical Uses

- Slab-on-ground and polystyrene pods

Features

- Triangular design enhances ease of installation and construction speed
- Aperture design allows continuous concrete flow
- Guarantees two-wire minimum support of reinforcing mesh
- Continuous length ensures load distribution minimising damage to polystyrene pods
- Part of the ONESLAB® package



Product Code	Height (mm)	Length (mm)	No. Per Pack
TP45	45	430	20
TP50	50	400	

Pod Spacers

Typical Uses

- Slab-on-ground and polystyrene pods

Features

- 2-way or 4-way spacers forming internal beam between polystyrene pods
- Supports reinforcing bars
- Provides concrete cover
- Designed to ensure continuous concrete flow



Product Code	Description
EB300	Edge Spacer 300 mm
INSPACE2	2-Way Interlock Spacer
INSPACE4	4-Way Interlock Spacer
PODEDGE	Edge Spacer
PODINT1	1-Way Internal Spacer
PODEXT2	2-Way External Spacer
PODEXT3	3-Way External Spacer
PODINT4	4-Way External Spacer
PODSP	4-Way Internal Spacer

CUPOLEX® Pod Domes

CUPOLEX® Pod Domes are used in the construction of aerated floors, raised slabs and lightweight fill replacement. One of the principal advantages of the system is the healthiness of the building due to its provision of good air circulation.

Typical Uses

- Construction of aerated floors, raised slabs and lightweight fill replacement

Features

- Igloo-shaped elements give the slab a unique geometry



Product Code	Height (mm)
CUPOLEX200	200
CUPOLEX260	260
CUPOLEX350	350

CUPOLEX® Beton & Flat Stop

CUPLOEX® Beton & Flat Stop is an accessory element used to close lateral apertures, and prevent the concrete cast entering the hollowed space.

Typical Uses

- Construction of aerated floors, raised slabs and lightweight fill replacement



Product Code	Height (mm)
BENTONSTOP200	200
BENTONSTOP260	260
BENTONSTOP350	350
FLATSTOP200	200
FLATSTOP260	260
FLATSTOP350	350

PODRAIL™ Pod Chairs

Danley™

Typical Uses

- Residential polystyrene pods floors

Features

- Strong spikes pierce the pod to tightly hold the PODRAIL™ in position
- Allows load distribution from reinforcing mesh to polystyrene pods
- Offset wings on base for excellent stability
- Speed of use. Faster layout than traditional bar chairs
- Less physical stress on installers
- Smooth flat top for ease of mesh placement and positioning
- Broad feet eliminate chair punch-through on the pod
- Higher integrity slab

Relevant Standards

- AS/NZS 2425 Bar chairs in reinforced concrete



Product Code	Height (mm)	Length (mm)	No. Per Pack
BPODR40S	40	600	25

Polystyrene Pod Bags and Miscellaneous

Typical Uses

- Facilitates collection of pod scraps

Features

- Clear bags permit visibility to ensure non-contamination
- Rubbish pick-up enhances ONESLAB® offer to recycle pod scraps



Product Code	Description
PODBAG	Clear Clean Up Bags
PODRUB	Rubbish Pickup Charge
PODDEL	Delivery Charge

Note: InfraBuild reserve the right to change specifications without notice. Not all products are available at all InfraBuild Branches. Check with your local InfraBuild Branch for product availability. Warranties given on all accessories are manufacturers warranties only.

Designer Concrete Coatings

Designer concrete coatings provide a modern, stylish alternative to conventional concrete finishes. They include stenciled, stamped and coloured concrete coatings that offer you an incredible aesthetic and long-lasting durability at an affordable price.

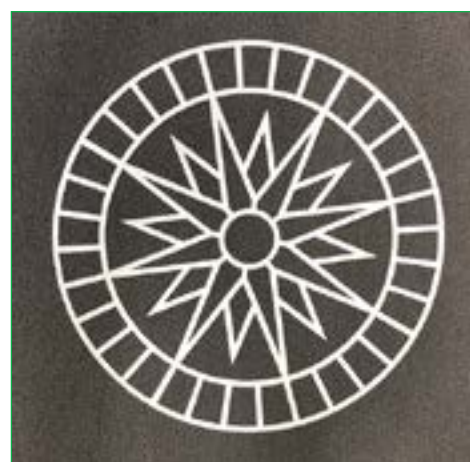
Concrete Stencils

Typical Uses

- A decorative finish to complement patios, driveways, pool surrounds, footpaths, courtyards, streetscapes

Features

- Popular traditional brick and tile stencil paving patterns
- Colour sealer range for cast-in-place concrete paving
- Purpose-made clear sealer range for decorative concrete surfaces



Product Code	Description	Type	Length (m)
STENHEAD100	Header	Stencil	50
STENHD100BLOCK	Header	Block	
STENHD100BRIC	Header	Brick	
STENHD100COBBLE	Header	Cobble	
STENHD100CONVICT	Header	Convict	
STENHD100EDGE	Header	Edge Brick	
STENHD100LGTILE	Header	Large Tile	

Product Code	Description	Area (m ²)
STEN050BASKT	Basket Weave	50
STEN050BLOCK	Block	
STEN050BUSH	Bushrock	
STEN050COBBLE	Cobblestone	
STEN050CONVICT	Convict Brick	
STEN050LGTILE	Large Tile	
STEN050RUN	Running Bond	

Note: InfraBuild reserve the right to change specifications without notice. Not all products are available at all InfraBuild Branches. Check with your local InfraBuild Branch for product availability. Warranties given on all accessories are manufacturers warranties only.

Sealer and Solvent

Typical Uses

- New concrete surfaces: two-coat system recommended.
Prime and Seal + Clear Concrete Sealer finish coat
- Clear Concrete Sealer compatible with:
 - new concrete resurfacing
 - cast-in-place decorative concrete paving finishes
 - resealing pre-sealed exposed concrete surfaces
- Colour sealer application – use DCC recommended application method

Features

- Prime and Seal application (as appropriate) aids concrete curings



Important note: Precautions and limitations apply to sealer use. Read sealer specifications before application.

Product Code	Description	Colour	Size
STENADDSLIP	Slip Resistant Additive	–	300 grams
STENPRIMER	Sealer Prime and Sealer		20 L
STENSEALER	Clear Concrete Sealer		
STENSOLVENT	Solvent		
TINTSEALER	Clear Sealer Base for Sealer Tint		
STENTINTBLUESTON	Sealer Tint	Bluestone	1 L
STENTINTBRICRED		Brick Red	
STENTINTCHAR		Charcoal	
STENTINTCOFF		Coffee	
STENTINTDARKTERA		Dark Terracotta	
STENTINTFAWN		Fawn	
STENTINTFOS		Fossil	
STENTINTFREGRAY		French Grey	
STENTINTGUNMET		Gunmetal	
STENTINTJETBLACK		Jet Black	
STENTINTLIGHTERA		Light Terracotta	
STENTINTLITEGRY		Light Grey	
STENTINTLITESTONE		Light Stone	
STENTINTMOC		Mocha	
STENTINTREP		Reptile	
STENTINTSDBEIGE		Sandy Beige	
STENTINTSDSTONE		Sandstone	
STENTINTSMOKEY-BLACK		Smokey Black	
STENTINTTRU		Truffle	

Note: InfraBuild reserve the right to change specifications without notice. Not all products are available at all InfraBuild Branches. Check with your local InfraBuild Branch for product availability. Warranties given on all accessories are manufacturers warranties only.

Concrete Resurfacing

Typical Uses

- A decorative finish to complement patios, driveways, pool surrounds, footpaths, courtyards, streetscapes

Features

- Colour sealer range for cast-in-place concrete paving
- Purpose-made clear sealer range for decorative concrete surfaces



Product Code	Description	Colour	Size
STENSPDESWHT	Designer White	-	20 kg
STENSPRAYNEUTRAL	Neutral		
CRSSEALER	CRS Resurfacing Sealer		
CRSMODIFIER	CRS Resurfacing Modifier		20 L
STENSPADDANTIQUE-BEIGE	Spray On Tint	Antique Beige	275 ml
STENSPADDBONDISAND	Spray On Tint	Bondi Sand	
STENSPADDCAS	Spray On Tint	Cashmere	
STENSPADDCHARRED	Spray On Tint	Charred	
STENSPADDCHESTNUT	Spray On Tint	Chestnut	
STENSPADDDSA	Spray On Tint	Desert Sand	
STENSPADDHAR	Spray On Tint	Harvest	
STENSPADDINSPIRATION	Spray On Tint	Inspiration	
STENSPADDLITESHALE	Spray On Tint	Light Shale	
STENSPADDMARLEGRY	Spray On Tint	Marle Grey	
STENSPADDMER	Spray On Tint	Merlot	
STENSPADDMETALSTN	Spray On Tint	Metal Stone	
STENSPADDMIN	Spray On Tint	Mink	
STENSPADDPIM	Spray On Tint	Pimento	
STENSPADDRRO	Spray On Tint	River Rock	
STENSPADDSMOK-EYSLATE	Spray On Tint	Smokey Slate	
STENSPADDSTEELGRY	Spray On Tint	Steely Grey	
STENSPADDTUMBLE-WEED	Spray On Tint	Tumbleweed	

Multimix

Typical Uses

- For surface-formed colouring of fresh cast-in-place concrete paving
- For stencil pattern and stamp impression concrete construction



Product Code	Description	Mass (kg)
STENCILBLUESTN	Bluestone	20
STENCILCHAR	Charcoal	
STENCILFAWN	Fawn	
STENCILFOSSIL	Fossil	
STENCILFREGRAY	French Grey	
STENCILGUNMET	Gunmetal	
STENCILLITEGRY	Light Grey	
STENCILLITESTON	Lightstone	
STENCILMOCHA	Mocha	
STENCILREPTILE	Reptile	
STENCILSMOKEYBLACK	Smokey Black	
STENCILTRUFFLE	Truffle	

Concrete Tools and Accessories

Product Code	Description	Dimension
BUCKETRUBBER15LT	Flexible rubber bucket	15 L
STENCOVER230	Roller Cover	230 mm
STENCOVER270	Roller Cover	270 mm
STENEXTPOLE	Roller Extension Pole	1.8 m
STENFRAME230	Roller Frame	230 mm
STENFRAME270	Roller Frame	270 mm
STENFILATAPE	Filament Tape	6, 9, 12 mm x 45 m



Lintels

GALINTEL® designs and manufactures Australia's highest-quality steel lintels for the building industry. The specialised range of lintels includes flats, angles, T-bars, Cavi-T-Bar™, J-Bar™ and Rendabar®, all designed for optimum support of brickwork above clear openings.

GALINTEL® Hot Dipped Galvanized Steel Lintels achieve an R3 durability rating and meet AS/NZS 4680 Hot dip galvanized (zinc) coatings on fabricated ferrous articles, AS/NZS 2699.3 Built in components for masonry and AS/NZS 1170.1 Structural designs actions set.

Flats

GALINTEL®

Typical Uses

- Supporting brickwork over openings (windows and doors) in the building and construction industry

Features

- Guaranteed against defects in materials and workmanship
- GALINTEL® hot dip galvanized steel lintels are 40 % lighter than solid lintels
- High strength-to-weight ratio



Flat Bar – 85 x 7 mm

Product Code	Length (m)	Clear Opening (m)
TF08	0.8	0.6
TF09	0.9	0.7
TF10	1	0.8
TF11	1.1	0.9
TF12	1.2	1

Traditional Flat Bar – 75 x 10 mm

Product Code	Length (m)	Clear Opening (m)
A1FG08	0.8	0.6
A1FG09	0.9	0.7
A1FG10	1	0.8
A1FG11	1.1	0.9
A1FG12	1.2	1
A1FG13	1.3	
A1FG14	1.4	1.1
A1FG15	1.5	1.2

Note: InfraBuild reserve the right to change specifications without notice. Not all products are available at all InfraBuild Branches. Check with your local InfraBuild Branch for product availability. Warranties given on all accessories are manufacturers warranties only.

Traditional Angle

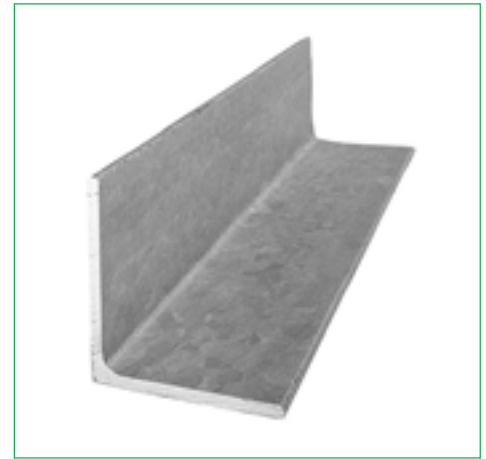
GALINTEL®

Typical Uses

- Supporting brickwork over openings (windows and doors) in the building and construction industry

Features

- Achieves an R3 durability rating
- Guaranteed against defects in materials and workmanship
- GALINTEL® hot dip galvanized steel lintels are 40 % lighter than solid lintels
- High strength-to-weight ratio



Traditional Angle – 100 x 75 x 10 mm		
Product Code	Length (m)	Clear Opening (m)
A2LG12	1.2	0.9
A2LG15	1.5	1.2
A2LG18	1.8	1.5
A2LG21	2.1	1.8
A2LG24	2.4	2.1
A2LG27	2.7	2.4
A2LG30	3	2.7
A2LG60	6	5.7

Traditional Angle 150 x 100 x 10 mm		
Product Code	Length (m)	Clear Opening (m)
A3LG18	1.8	1.5
A3LG21	2.1	1.8
A3LG24	2.4	2.1
A3LG27	2.7	2.4
A3LG30	3	2.7
A3LG33	3.3	3
A3LG36	3.6	3.3
A3LG40	4	3.7
A3LG45	4.5	4.2
A3LG50	5	4.7
A3LG55	5.5	5.2
A3LG60	6	5.7

Solid Base Angle

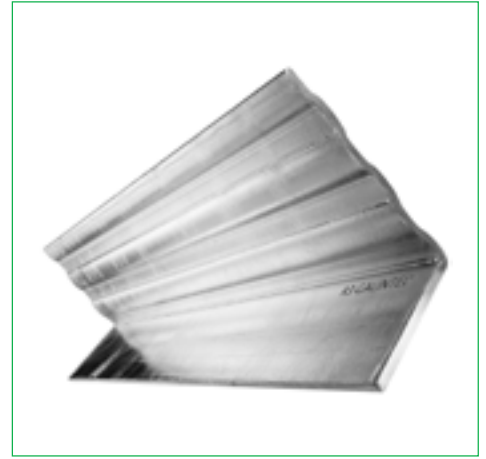
GALINTEL®

Typical Uses

- Supporting brickwork over openings (windows and doors) in the building and construction industry

Features

- Achieves an R3 durability rating
- Guaranteed against defects in materials and workmanship
Galintel® hot dip galvanized steel lintels are 40% lighter than solid lintels
- High strength-to-weight ratio



Solid Base Angle – 100 x 100 x 6 mm

Product Code	Length (m)	Clear Opening (m)
GRL109	0.9	0.6
GRL112	1.2	1
GRL115	1.5	1.2
GRL118	1.8	1.5
GRL121	2.1	1.8
GRL124	2.4	2.1
GRL127	2.7	2.4

Solid Base Angle – 150 x 100 x 6 mm

Product Code	Length (m)	Clear Opening (m)
GRL218	1.8	1.5
GRL220	2	1.7
GRL221	2.1	1.8
GRL224	2.4	2.1
GRL227	2.7	2.4
GRL230	3	2.7
GRL233	3.3	3
GRL236	3.6	3.3
GRL240	4	3.7

Rendabar®

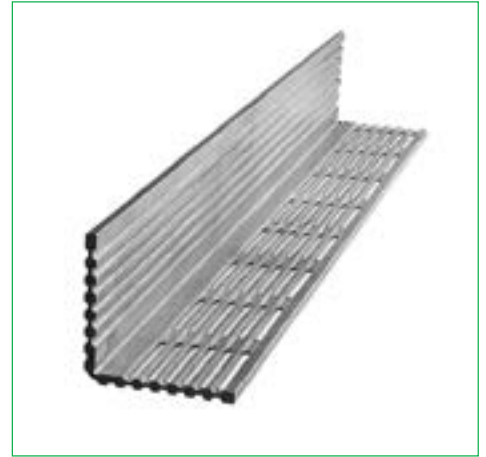
GALINTEL®

Typical Uses

- Specifically designed to facilitate cement rendering

Features

- Lighter than other forms of lintels used with rendered finish
- Ribbed profile forms a composite beam of superior strength
- Complies with Australian Building Code requirements



Rendabar® – 100 x 100 x 8 mm

Product Code	Length (m)	Clear Opening (m)
RDB09	0.9	0.6
RDB12	1.2	0.9
RDB15	1.5	1.2
RDB18	1.8	1.5
RDB21	2.1	1.8
RDB24	2.4	2.1

Rendabar® – 150 x 100 x 8 mm

Product Code	Length (m)	Clear Opening (m)
RDBL18	1.8	1.5
RDBL21	2.1	1.8
RDBL24	2.4	2.1
RDBL27	2.7	2.4
RDBL30	3	2.7
RDBL33	3.3	3
RDBL36	3.6	3.3
RDBL40	4	3.7

Multi-Rib T-Bar

GALINTEL®

Features

- Total load bearing lintel designed to support 230 mm brickwork over clear openings
- The Multi-Rib profile forms a superior bond between mortar
- Up to 40% lighter than traditional T-Bars
- Australian designed and manufactured
- High strength-to-weight ratio



Multi-Rib T-Bar – 200 x 200 x 7 mm

Product Code	Length (m)	Clear Opening (m)
TB709	0.9	0.6
TB712	1.2	0.9
TB715	1.5	1.2
TB718	1.8	1.5
TB721	2.1	1.8
TB724	2.4	2.1
TB727	2.7	2.4
TB730	3	2.7
TB733	3.3	3

Multi-Rib T-Bar – 200 x 200 x 9 mm

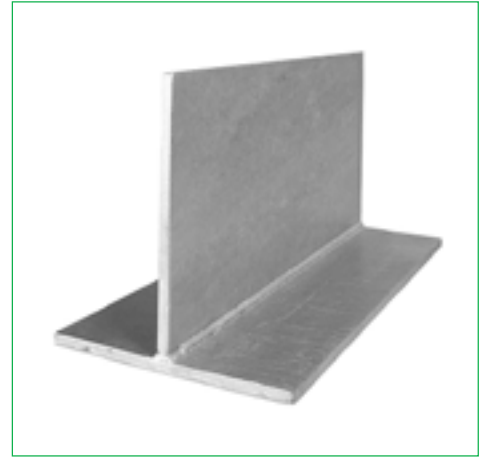
Product Code	Length (m)	Clear Opening (m)
TB936	3.6	3.3
TB939	3.9	3.6
TB942	4.2	3.9
TB945	4.5	4.2
TB948	4.8	4.5
TB951	5.1	4.8
TB954	5.4	5.1
TB957	5.7	5.4
TB960	6	5.7
TB963	6.3	6

Traditional T-Bar

GALINTEL®

Features

- Product certified by Unisearch Limited
- Fully machine welded
- 300 MPa grade steel
- All surfaces, including ends, fully hot dip galvanized with a 600 g/m² zinc coating
- Does not rely on composite action



Traditional T-Bar – 200/10 mm (V) x 200/10 mm (P)

Product Code	Length (m)	Clear Opening (m)
TTB102027	2.7	2.4
TTB102033	3.3	3
TTB102052	5.2	4.9
TTB102060	6	5.7
TTB102063	6.3	6

Traditional T-Bar – 250/10 mm (V) x 200/10 mm (P)

Product Code	Length (m)	Clear Opening (m)
TTB102554	5.4	5.1
TTB102560	6	5.7

Cavi-T-Bar™

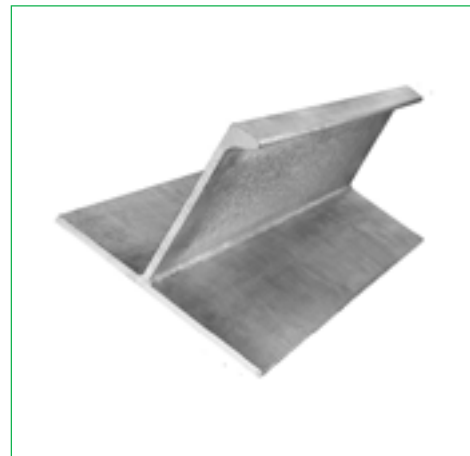
GALINTEL®

Typical Uses

- Ideal for cavity walls (double brick or brick veneer)

Features

- Up to 25% lighter than built-up steel sections
- Convenient, economical substitute for built-up steel sections such as parallel flange channel and plate
- Fully hot dip galvanized (600 g/m²)
- Available in standard lengths



Cavi-T-Bar™ – Vertical Leg 180 x 8 mm Platform Leg 240 x 8 mm

Product Code	Length (m)	Clear Opening (m)
CAVT27	2.7	2.4
CAVT30	3	2.7
CAVT33	3.3	3
CAVT36	3.6	3.3

Cavi-T-Bar™ – Vertical Leg 240 x 9.5 mm Platform Leg 240 x 8 mm

Product Code	Length (m)	Clear Opening (m)
CAVTL39	3.9	3.6
CAVTL42	4.2	3.9
CAVTL45	4.5	4.2
CAVTL48	4.8	4.5
CAVTL52	5.2	4.9
CAVTL54	5.4	5.1
CAVTL56	5.6	5.3
CAVTL60	6	5.7

J-Bar™

GALINTEL®

Typical Uses

- Ideal for cavity walls (double brick or brick veneer)

Features

- Header flange pre-drilled and galvanized for timber fixing
- Bottom flange pre-drilled and galvanized for column connection
- Up to 20% lighter than built-up steel sections
- Fully hot dip galvanized including ends (600 g/m²)
- Standard range of lengths
- Non-standard lengths available to order
- Convenient 'off the shelf' solution



J-Bar™ – Vertical Leg 260 x 9 mm, Bottom Platform Leg 200 x 10 mm, Top Flange 90 x 14 mm

Product Code	Length (m)	Clear Opening (m)
JBAR42	4.2	3.9
JBAR45	4.5	4.2
JBAR48	4.8	4.5
JBAR51	5.1	4.8
JBAR54	5.4	5.1
JBAR57	5.7	5.4
JBAR60	6	5.7
JBAR63	6.3	6

Metal Decking

BONDEK® Metal Decking (Galvanized)

Lysaght

BONDEK® is a highly efficient, versatile and robust formwork, reinforcement and ceiling system for concrete slabs for residential, commercial and civil projects. With a yield strength of 550 MPa, BONDEK® metal decking acts as a permanent formwork with minimal propping and requires no stripping.



Typical Uses

- Floor slab construction in residential, commercial and many industrial applications

Features

- Superior spanning capacities for greater strength and less deflection
- Acts as permanent formwork with minimal propping
- Fast and easy to install
- Works as composite slab
- Backed by a BlueScope Steel warranty

BONDEK® Metal Decking – Galvanized

Product Code	Base Metal Thickness (mm)	Mass (kg/m ²)**	Width Coverage (mm)*
BD60	0.6	8.4 or 8.5	590
BD75	0.75	10.3 or 10.5	
BD100	1	13.6 or 13.8	

BONDEK® Accessories

Product Code	Description	Height (mm)	Length (mm)
BDEND	Poly Filler Strip	54	1200
BEF100	Edge Form	100	–
BEF120	Edge Form	120	
BEF125	Edge Form	125	
BEF150	Edge Form	150	
BEF200	Edge Form	200	
BEFM	Edge Form Made to Order	–	
BEPP	End Plugs (poly)	–	
PLINST	Infill Strip	–	300

* BONDEK Plus® is an available alternative to BONDEK® which has a width coverage of 600 mm.

Note that BONDEK Plus® is only available in QLD, NSW, ACT, and NT.

** Mass variances represent difference between BONDEK Plus® and BONDEK®.

Note: InfraBuild reserve the right to change specifications without notice. Not all products are available at all InfraBuild Branches. Check with your local InfraBuild Branch for product availability. Warranties given on all accessories are manufacturers warranties only.

KingFlor® Steel Composite Formwork Fielders

KingFlor® Steel Composite Formwork is stronger than similar decks due to the patented ReLok corner embossments, which develops a strong mechanical interlock with concrete slabs.

Typical Uses

- Floor slab construction in residential, commercial and many industrial applications

Features

- Greater spanning capacities
- Patented ReLok corner embossments develops a strong mechanical interlock with the concrete slab
- RF55® is stronger than similar decks in positive bending and end shear due to the dovetail ribs, which resist lateral deflection



Kingflor® RF55®						
Base Metal Thickness (mm)	Zinc Coating (g/m ²)	Yield Strength (MPa)	Mass			
			(kg/m ²)*		(k/m)**	
			2-PAN	3-PAN	2-PAN	3-PAN
0.6	350	550	8.6	8.8	3.4	5
0.75			10.6	10.3	4.2	6.2
1			13.9	13.6	5.6	8.1

KingFlor® KF57				
Product Code	Base Metal Thickness (mm)	Effective Width (mm)	Height (mm)	Mass (kg/m ²)
CKF60	0.6	300	57	8.09
CKF75	0.75			9.97
CKF100	1			13.1

KingFlor® KF70				
Product Code	Base Metal Thickness (mm)	Effective Width (mm)	Height (mm)	Mass (kg/m ²)
KF75	0.75	600	70	8.97
KF100	1			11.78

* Average mass of 2-PAN/3-PAN deck per plan area (kg/m²)

** Mass of individual 2-PAN/3-PAN length (kg/m)

Condeck HP® Composite Decking

Stramit

Stramit Condeck HP® Composite Decking is supplied with a standard Z350 coating, hinged lapping, enclosed ribs and manufactured with no restrictions on shear studs.

Typical Uses

- Floor slab construction in residential, commercial and industrial applications
- Suitable for use in both steel frame and concrete frame construction

Features

- Manufactured from high-strength galvanized steel
- Alternative material available for highly corrosive environments
- Hinged Lapping – No need for side lap fasteners. Easier construction, plus time and cost savings
- Flat Soffit – Flush fitting panels from an attractive ceiling ready for painting
- Enclosed Ribs – No need for end closures
- Effective Width = 300 mm, Height = 55 mm



Condeck HP®

Product Code	Thickness (mm)		Mass		Yield Strength (MPa)
	Base Metal Thickness*	Total Coated Thickness*	(kg/m ²)	(kg/m)	
COND75	0.75	0.78	10.1	3	550
COND90	0.9	0.93	12	3.6	
COND100	1	1.03	13.3	4	

Condeck HP® Edgeforma™

Product Code	Width (mm)	Length (mm)
CEF100	100	Size to Order
CEF120	120	
CEF125	125	
CEF150	150	
CEF180	180	
CEF200	200	

* Base Metal Thickness (BMT) is used for structural design analysis, while Total Coated Thickness (TCT) values are approximate and given for reference only.

Steel Fixing Tools

Nips

Typical Uses

- Concreting and construction applications
- Wire cutting
- Steel fixing of rebar and reinforcing mesh



Nips	
Product Code	Description
KNIPSC200	Crescent Nips
KNIPSK200	Nips
KNIPSK280	Nips

Steel Fixing Accessories	
Product Code	Description
ACROW-TOOL	Bag Tying Tool
RTWTOOL	Twisting Tool – Rod Tie Wire
BPREEL	Belt Pack Reel – Alloy
TTOOL	Twisting Tool – Bar Tie
REEL	Belt Pack Reel – Plastic
IDLBELT	Belt To Suit Reels
TTMS	Small Hand Twisting Tool
IDLREEL	Belt Pack Reel

Cutting Tools

Trimming Knife

Features

- Retractable blade
- Ergonomic grip
- Quick blade changes
- Magnetic blade holder
- Replacement blades available



Product Code	Description
KNIFEGRIP	Rhino Tuff Total Grip Knife
KNIFEBLADE	Black Rhino 10 pk Heavy Duty Blades

Bolt Cutters

Features

- Heat treated alloy jaws
- Rated to cut HRC49
- Fully adjustable with replaceable jaws



Product Code	Length (mm)
BOLTC450	450
BOLTC600	600
BOLTC750	750
BOLTC900	900
BOLTC1050	1050
BOLTC900PF	900

Note: InfraBuild reserve the right to change specifications without notice. Not all products are available at all InfraBuild Branches. Check with your local InfraBuild Branch for product availability. Warranties given on all accessories are manufacturers warranties only.

Cutting Blades

Features

- Cured Concrete blade is laser welded
- Superior Diamond blade cuts all construction materials, including steel



Blades Cured Concrete

Product Code	Diameter (mm)
14LACU	350
16LACU	400

Blades Green Concrete

Product Code	Diameter (mm)
14LAGC	350
16LAGC	400

Blades Superior Diamond

Product Code	Diameter (mm)
DRB04MPS	105
DRB05MPS	125
DRB09MPS	230
DRB14MPS	350

Concrete Tools

Concrete Float

Typical Uses

- Concrete smoothing

Features

- Available in a variety of materials



Float Wood

Product Code	Size (mm)
FLOATW50450	450 x 50
FLOATW112300	300 x 112
FLOATW112380	380 x 112
FLOATW112450	450 x 112

Float Aluminium

Product Code	Length (mm)
FLOATBAL600	600
FLOATBAL900	900
FLOATBAL1200	1200
FLOATBAL1500	1500
FLOATBAL1800	1800
FLOATBM	*

* Bull float mechanism

Float Steel

Product Code	Size (mm)
FLOATS160210	210 x 160
FLOATS290100	290 x 100
FLOATS150380	380 x 150

Float Magnesium

Product Code	Length (mm)
FLOATM406	406
FLOATM508	508

Note: InfraBuild reserve the right to change specifications without notice. Not all products are available at all InfraBuild Branches. Check with your local InfraBuild Branch for product availability. Warranties given on all accessories are manufacturers warranties only.

Bullnose Edger

Features

- Made from stainless steel
- DuraGrip™ handle for comfort



Product Code	Size (mm)
T401S	180 x 75
T403	180 x 75
T702	190 x 130
T706	180 x 105

Stainless Steel Lip Edger

Features

- Made from stainless steel
- DuraGrip™ handle for comfort



Product Code	Size (mm)	Lip (mm)
EDGER100180	180 x 100	19 x 19
EDGER130190	190 x 130	25 x 22
EDGER145215	215 x 145	32 x 16

Concrete Rake

Features

- 1500 mm long handle with soft grip
- Braced for extra strength
- Powder coated finish



Product Code	Description
PLACERALUM	1500 mm handle with soft grip

Concrete Finishing Broom

Features

- Cast aluminium back
- Premium fibre bristles
- Complete with adaptor



Product Code	Width (mm)
FINBROOM900	900

Screed

Features

- Made from heavy duty structural alloy
- Ergo grip handle
- Cutting and pushing edge positioned for comfort



Product Code	Length (mm)
SCREEDCH1200	1200
SCREEDCH1200V	
SCREEDCH1500	1500
SCREEDCH1500V	
SCREEDCH1800	1800
SCREEDCH1800V	
SCREEDCH2100	2100
SCREEDCH2100V	
SCREEDCH2400	2400
SCREEDCH2400V	
SCREEDCH2700	2700
SCREEDCH2700V	
SCREEDCH3000	3000
SCREEDCH3000V	
SCREEDCH3600	3600
SCREEDCH3600V	

V = includes vial.

HDPE Telescopic Handle

Features

- Ergo grip
- HDPE screw-lock fitting
- Fluted profile
- 'T' section 'twist top'



Product Code	Length (mm)
HANDLETEL1200	1200 – 2400
HANDLETEL2700	2700 – 5000

Marking Spray

Typical Uses

- Marking in concrete and other applications

Features

- Available in a variety of colours
- Refills available



Product Code	Description	No. Per Pack
MPAINT	Survey Marking Spray Can Paint	–
MRKCRYN	Fluro Yellow Spot Marking Paint	12
MRKPENCILGREEN	Hanson Green Hard Carp's Pencils	72
MRKPENCILRED	Hanson Red Medium Carp's Pencils	–
CHALKLINEHD30	Heavy Duty Chalk Line Reel	
CHALKRFL4R	Hanson Red Chalk Refill	
CHALKRFL4W	Hanson White Chalk Refill	
CHALKRFL8R	Hanson Red Chalk Refill	
STRINGLINE100	String Line	

Note: InfraBuild reserve the right to change specifications without notice. Not all products are available at all InfraBuild Branches. Check with your local InfraBuild Branch for product availability. Warranties given on all accessories are manufacturers warranties only.

Trowel Bracket

Typical Uses

- Concreting applications

Features

- Available in four options: adjustable formwork brackets, fresno trowel brackets, walking trowel mechanical stand brackets and walking trowel brackets



Product Code	Description
BRACKETTRWSTAND	Walking Trowel Mechanical Stand Bracket
BRACKETTRWWALK	Walking Trowel Bracket

Kneeling Board

Features

- Extra-large grip handles
- Firm foam pad for effective knee support



Product Code
BOARDKNEEL

Trowels

Features

- A range of sizes and shapes
- Stainless steel
- Duragrip® and soft grip handles available



Trowel Square		
Product Code	Size (mm)	Description
TRWSQL115405	405 x 120	Square Finishing Trowel
T102A	280 x 120	
TRWSQ114280	280 x 114	
TRWSQ127457	457 x 127	

Trowel Walking		
Product Code	Size (mm)	Description
TRWWLK	900 x 120	Stainless Steel Walking Trowel

Trowel Pool		
Product Code	Size (mm)	Description
TRWPOOLSS100300	300 x 100	Stainless Steel Pool Trowel – Flexible
TRWPOOLSS100356	356 x 100	

Trowel Pointed Light		
Product Code	Size (mm)	Description
TRWPL115405	405 x 115	Pointed Finishing Trowel
TRWPL115450	450 x 115	
TRWPL115500	500 x 115	
TRWPL115600	600 x 115	
TRWPL120355	355 x 120	
TRWPL120365	365 x 120	

Trowel Pointed Light		
Product Code	Size (mm)	Description
TRWPFIN100355A	355 x 100	Pointed Fin Trowel Duragrip™
TRWPFIN100356M	356 x 100	Pointed Fin Trowel Soft Grip Handle
TRWPFIN100362M	362 x 120	
TRWPFIN100400M	405 x 115	
TRWPFIN100451M	450 x 115	

Note: InfraBuild reserve the right to change specifications without notice. Not all products are available at all InfraBuild Branches. Check with your local InfraBuild Branch for product availability. Warranties given on all accessories are manufacturers warranties only.

Trowel Machine

Typical Uses

- Finishing large concrete slabs

Features

- Powerful engine
- Finishing blades
- Oil viewing glass



Product Code	Diameter (mm)
TRWLMACH24	600
TRWLMACH34	865
TRWLMACH36	915

Hopper Gun

Features

- High-impact plastic hopper for lightweight operation
- Cast aluminium housing
- Includes three nozzles



Product Code	Description
HOPPERGUNKIT	Hopper Gun Maintenance Kit
HOPPERGUNSQ	Hopper Gun Square Hopper

Mixing Paddle

Typical Uses

- Concrete mixing

Features

- Ideal for small concrete batches
- Efficient mixing blades



Product Code	Length (mm)
MIXPADDLE10120600	600
MIXPADDLE890500	500

Note: InfraBuild reserve the right to change specifications without notice. Not all products are available at all InfraBuild Branches. Check with your local InfraBuild Branch for product availability. Warranties given on all accessories are manufacturers warranties only.

General Tools

Tape Measure

Features

- Duragrip™ moulded rubber case
- 25 mm blade
- Triple riveted hook end



Product Code	Length (m)
TAPE8	8
TAPE10	10
TAPECON8	8
REELTAPE30	30

Barricade Warning Tape

Features

- Bright red and white colours
- Practical 75 m length



Product Code	Width (mm)	Length (m)	Colour
SAFETAPE	75	75	Red and White

Shovel

Features

- Made from heavy duty steel
- Moulded D-grip handle
- Tempered head



Product Code	Description
SMSHOVEL	Square Mouth Shovel
SMSHOVELLONGHDL	Square Mouth Shovel Long Handle

Hammers

Features

- One-piece drop-forged steel, hardened and tempered (claw hammer)
- Double-faced high-quality drop-forged steel head (sledge hammer)
- Hickory handle fitted with steel wedges (sledge hammer)



Sledge Hammer	
Product Code	Mass (kg)
SH5	5
SH7	7

Claw Hammer	
Product Code	
HAMMERC	

Liquid Hammers

Typical Uses

- For cleaning concrete and mortar without chipping or hammering
- Removing build-up from concrete hauling, handling and finishing equipment

Features

- Non-corrosive
- Biodegradable
- Safe for almost any surface



Liquid Hammer

Product Code	Volume (l)
LH750	8

Liquid Hammer Foamer

Product Code	Volume (l)
LHFOAM8	0.75

Spray Pump

Features

- Stainless steel
- Victor seals
- Spare parts kit included



Product Code	Volume (l)
SPRAYERSS10LT	10

Ratchet Strap

Features

- Load restraint
- Less loading time
- Faster turnaround time
- Less damage to cargo or paintwork



Product Code	WLL (kg)	Length (m)	Width (mm)
RS1250	1250	6	35
RS2500	2500	9	50

Safety PPE

Features

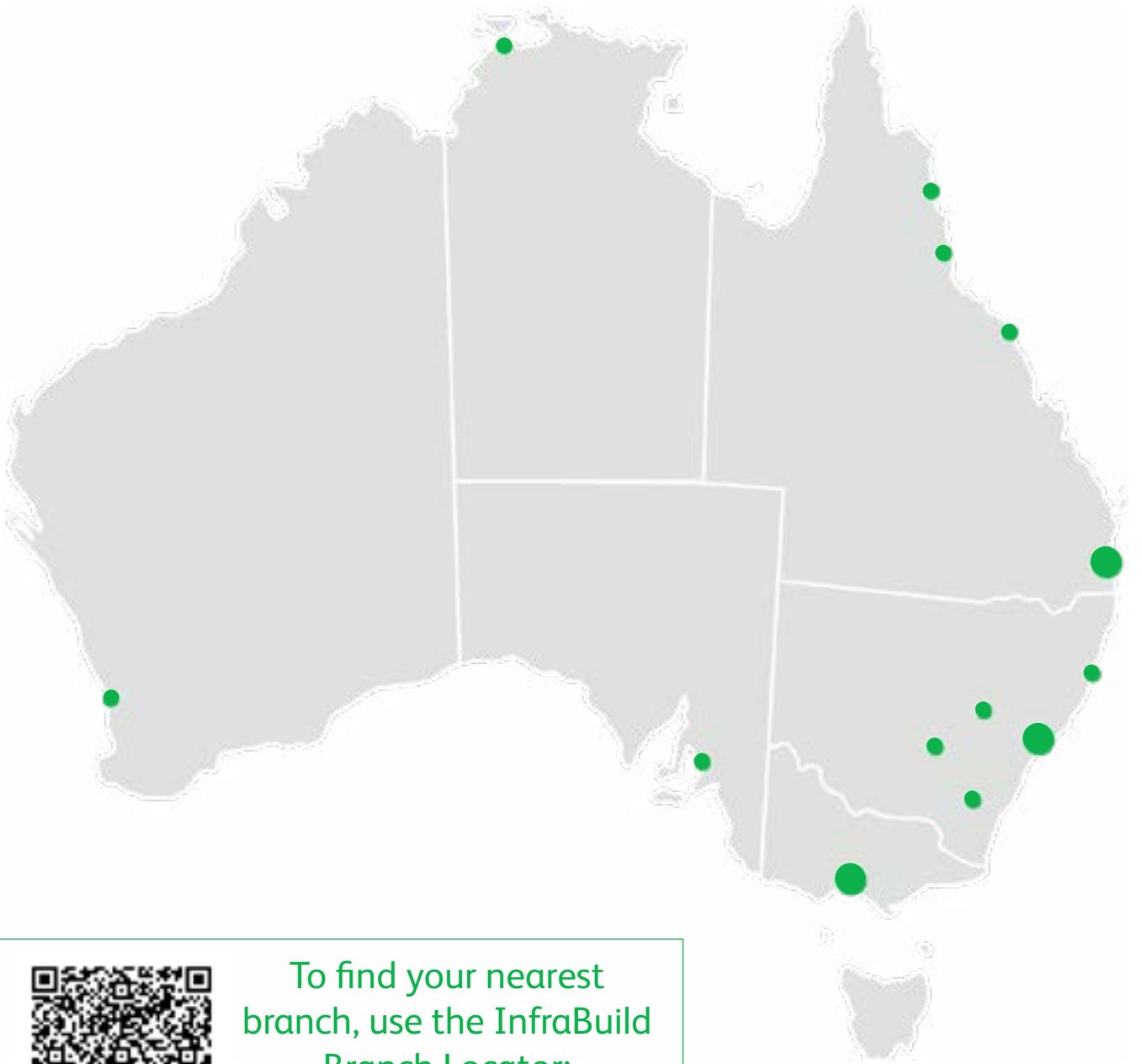
- High-quality protective gloves with a wing thumb and stitch free thumb
- Steel-capped safety gumboot with reinforced ankle and shin
- Resistant to oil, acid, and abrasion



Product Code	Size
GUMBOOT07	7
GUMBOOT08	8
GUMBOOT09	9
GUMBOOT10	10
GUMBOOT11	11
GUMBOOT12	12
GUMBOOT13	13
GLOVE	-

Construction Solutions Branch Network

(Additional authorised distributors in other areas)



To find your nearest
branch, use the InfraBuild
Branch Locator:

www.infrabuild.com/en-au/branch-locator

Call 1800 663 736
to talk to our reinforcing experts

The InfraBuild Construction Solutions difference

Guaranteed quality

- Australian-made rebar and REOMESH®
- Independently certified by ACRS (AS/NZS 4671)
- National Code of Practice compliant

At your service wherever you are

- Australia-wide branch and distributor network
- Unmatched experience and applications knowledge
- Dedicated prefab/cut and bent mesh facilities

Logistics and transport

- Experienced in servicing remote locations
- Special containers for long-distance transport
- Pre-slinging and other OH&S initiatives

Scheduling and technical support

- Experienced national and regional engineers
- Specialised design and detailing assistance
- Advanced reinforcement scheduling solutions

Your one-stop reo shop

- Wide range of accessories and materials
- Comprehensive processing options
- Complete package solutions

For terms and conditions, visit www.infrabuild.com/en-au/about-us/terms-conditions

Note: InfraBuild reserve the right to change specifications without notice. Not all products are available at all InfraBuild Branches. Check with your local InfraBuild Branch for product availability. Warranties given on all accessories are manufacturers warranties only.





InfraBuild Construction Solutions

For further information contact:

Customer Service

T: 1800 663 736

E: constructionsolutions@infrabuild.com

www.infrabuild.com

This publication has been prepared by InfraBuild Australia Pty Ltd ACN 631 112 457 on behalf of its related bodies corporate. © Copyright 2020 InfraBuild Pty Limited. Viribar[®]750, 500PLUS[®], UTEMESH[®], ONEMESH[®], POOLSTEEL[®] are registered trademarks of InfraBuild Construction Solutions Pty Ltd ABN 22 004 148 289.

InfraBuild has made reasonable efforts to ensure that the material was correct as at October 2020 and, to the maximum extent permitted by law, takes no responsibility for any errors or omissions. This guide does not constitute an offer to supply or a supply agreement. Unless otherwise agreed in writing by InfraBuild Construction Solutions, any supply by InfraBuild Construction Solutions is always subject to our standard terms and conditions of sale as updated from time to time – see www.infrabuild.com

