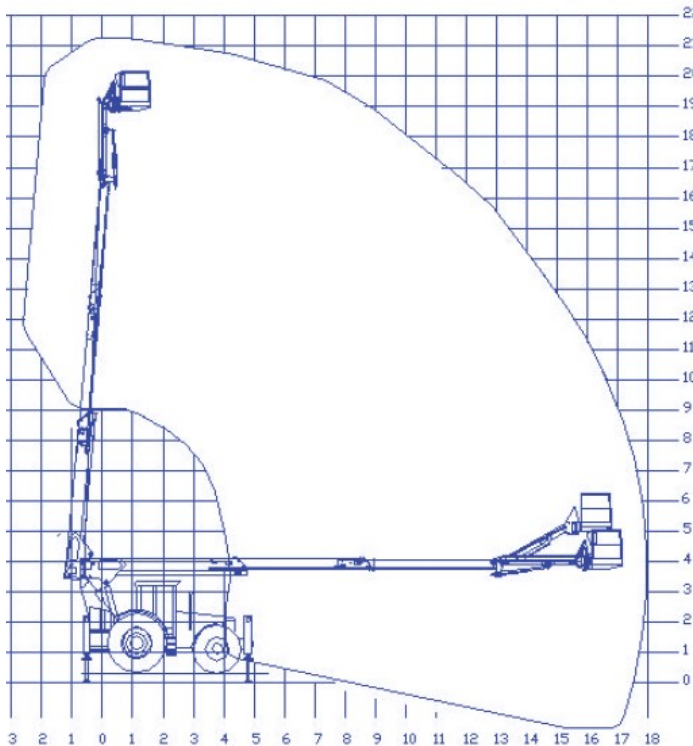


21m working height telescopic boom with jib on agricultural tractor



## 21m working height telescopic boom with jib on agricultural tractor



### KEY SPECIFICATIONS

Maximum working height .....	21.4m
Horizontal reach .....	17.5m
SWL in platform (2 person) .....	280kg
Platform size (1.1m high) .....	1.0 x 1.8 m
Turret rotation - full width jacking.....	360 deg.
Stabiliser spread .....	3.8m
Jacked one side only .....	2.9m
Travel width .....	2.4m
GVW .....	9000kg

### STANDARD FEATURES

Direct hydraulic proportional controls at cage and base

160 degree powered cage rotation

Four H-type hydraulic stabilisers

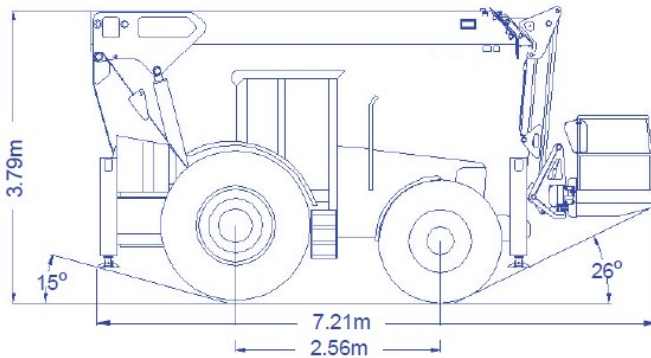
Three section all steel telescopic boom

2.4m long jib with 125 degree working arc

Structural quality tubular aluminium cage

DC powerpack and handpump for emergency lowering

Warning lights for booms not stowed, stabilisers not stowed, cab protection area and stabiliser mode



### TYPICAL CARRIERS

John Deere 6620

Deutz 620