

MODEL "B"

"B" Series

Regular Design

7" Throat Size

(Shown)

Also available with:

Offset Design with 7" Throat

"B" SERIES - BASIC DISPOSER				
TYPE	Model No.	HP	PH	Throat Size
REGULAR	B3P-R	3	3	7"
	B5P-R	5	3	7"
OFFSET	B3P-O	3	3	7"
	B5P-O	5	3	7"

OPTIONAL FEATURES:

□ **ADAPTOR KITS:** Adaptor kits are available to allow installation of Red Goat Disposers to virtually any sink or cone size or configuration. Refer to "**Adaptor Kit Selection Guide**" for specific kit model numbers.

PRODUCT INFORMATION:

□ **APPLICATION:** Heavy waste area of large kitchen. Ideal for rib, steak, or lobster houses and clam bars.

DESIGN AND CONSTRUCTION:

- Waste chamber design permits dual directional operation when used with reversing control or switch, doubling the life cycle of the shattering mechanism. Regular waste chamber available with a 7" throat size.
- Access to waste chamber by means of a cast aluminum lid having a 7" diameter throat opening, removable by means of quick-release head clamps
- Basic body components are cast gray iron, machined, primed and powder coated.
- 10-5/8" Diameter rotor/turntable with exclusive adjustable 45° angle and 6 integral impact breakers constructed of hardened ductile steel alloy for long life use. Matching 45° sizing ring with 24 grind teeth constructed of hardened ductile steel alloy.
- Tight tolerance in the cutting mechanism allows for approximately 1/8" or 3.175mm or less of waste to pass through to sanitary.
- Bolt-on, threaded discharge angle for easy removal and ridged drain connection. Also includes flexible drain connector that slips over angle and fastens quickly to either metal or PVC drain line (2" pipe size). This allows installer options that best fit their need.
- Stainless steel legs and feet, adjustable from 0" to 2".
- Disposer connects to Cone or Sink Assembly by means of a neoprene isolation sleeve and (2) stainless steel clamps.
- Offset Design: For maximum space utilization, disposer is also available with an 8" offset waste chamber for both Cone and Sink attachments.

MOTOR:

- Reversing, continuous duty, 1725 RPM (1425RPM, 50Hz), full rated horsepower, double sealed, permanently lubricated ball bearings.
- Thermal overload protection with manual reset button (3 and 5 HP models only).
- Exclusive shaft extension with 3/4" wrench flats to externally de-jam foreign matter without special tools.
- Available in 3 & 5HP, 3Ph.
- Dual voltage winding: 208-230/460V, 60Hz ; 208/415V, 50Hz

□ **CONTROLS: NOTE:** Electrical switches or control centers not included, must be selected as required.

PLUMBING:

- (1)3GPM @ 20PSIG, 1/2" NPT & (1)10GPM @ 20PSIG, 1/2"NPT
- 2" Drain line with trap
- **Not grease trap compliant**

ELECTRICAL:

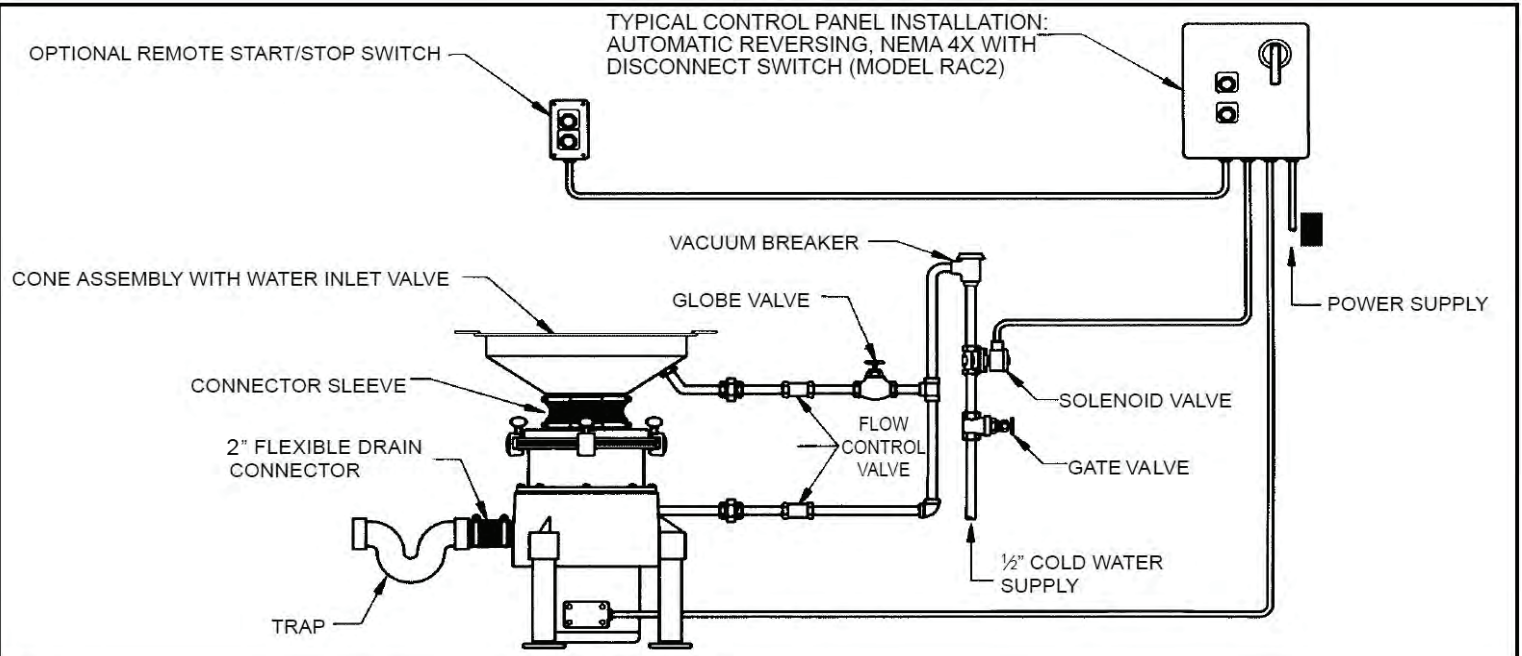
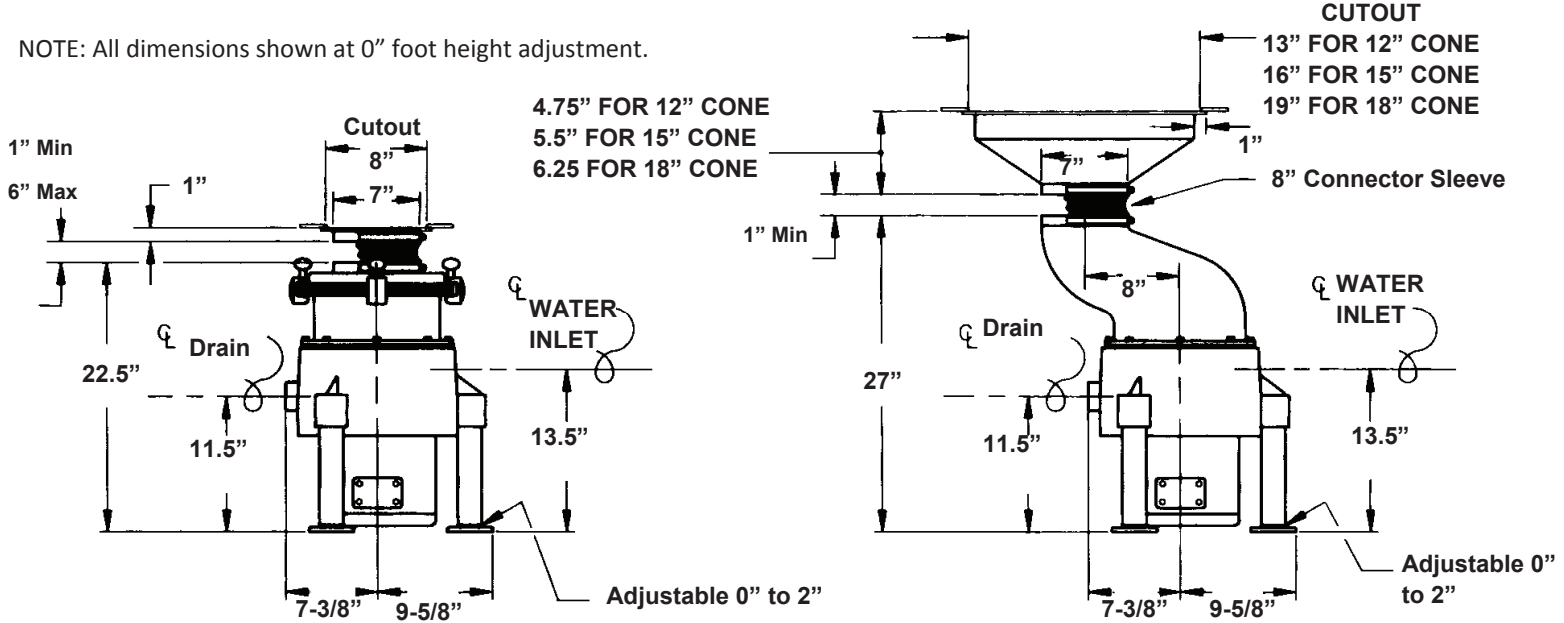
- Please refer to electrical requirements on the last page.

MODEL "B"



HP	THREE PHASE		THREE PHASE	
	Volts/60Hz	Amps	Volts/50Hz	Amps
3	208	9.5	208	10.6
	230	9.2		
	460	4.6		
5	208	14.5	208	19.4
	230	14		
	460	7.5		
7.5	208	23	N/A	N/A
	230	22		
	460	11		
10	208	30	N/A	N/A
	230	28		
	460	14		

NOTE: All dimensions shown at 0" foot height adjustment.



These items are not supplied by Red Goat Disposers.
Trap, Globe Valve, and Gate Valve.