

Contura

FREESTANDING STOVES



Stoves for all homes





There is nothing cosier than a real fire.

Anyone who lives where there is an autumn, winter and spring knows this. But the heat from a fire is not just a cosiness factor that triggers deep feelings of safety and community. It is also a sensible and modern solution that maximises both your and nature's resources.

A stove from Contura will spread warmth and cosiness in your home for many years to come. Therefore you should choose carefully. We make Contura for those who appreciate good design, intelligent functions and a wide choice. We make stoves for those who choose with the heart and the head.



See more of the fire. The symbol for fire visibility indicates how much of the fire the stove shows. Read more on page 25.





It is quite simply, quality of life.

Contents

Welcome to our warm homes!

Contura values	8-9
Be inspired by some warm, cosy homes	10-21
Light with the environment in mind	22

Choose the right stove

Which Contura are you?	24
Flame visibility	25
To bear in mind	26
Good characteristics	27

Product information

Contura 26	28
Contura 30 series	32
Contura 50 series	38
Contura 400 series	44
Contura 500 Style series	48
Contura 600 series	58
Contura 700 series	64
Contura 800 series	70
Accessories	74
Facts about all stoves	80
Dimension diagrams	89
Good heat retention	104
Efficient combustion	109
Lighting in the right way	110



Quality, quality of life and comfort

At Contura, we're proud of our tradition of innovative design and technology. The soul that we incorporate into all of our stoves stands for quality, assurance and home comfort. Our soul and pride are communicated in three sentences that are at the core of our values.

Timeless design, shaped for your lifestyle

Homes come in many styles and sizes. A choice of stove depends on various factors. It's good to know that you'll always find something in our range that's right for you.

- Design and features that last a lifetime
- Suits your style, whoever you are
- Multiple options



Clean burning fires producing world-class natural heat

Fire has driven the evolution of mankind. Today, we're driving the evolution of heating technology. Efficient combustion means you can light up your stove with a clear conscience, knowing that you are being kind to the environment and your wallet.

- Clean glass with world-leading Clean Burning technology
- CO2 neutral
- Efficient combustion technology for excellent heating economy and minimal emissions

Reliability backed by Swedish quality

Superior quality is a hallmark of Contura throughout its entire life, from production of a stove to its installation - and all the years it fills your home with light and heat.

- Made in Sweden, in the most state-of-the-art stove manufacturing facilities in the world, with a focus on reduced environmental impact
- Respect for human rights, good business ethics and high quality standards at every stage of production
- Service and spare parts throughout the life of the stove



Morning comfort all
day long



"It is wonderful to get up early and light a new fire in the stove that has barely cooled from the last load of logs of the evening before. We do not regret the heat tank at all!"

Read more about Contura 596 Style on page 57.

Outdoor comfort
all year round



"We don't like the raw feeling of the conservatory. We get closer to nature. The soapstone stove keeps us warm even when the north wind blows."

Read more about Contura 556T Style on page 54.

The best way to create a good working climate



"A stove is not perhaps the first thing one thinks of when decorating an office. But it should be! Our customers always comment on how good it looks and, of course, it does wonders for the mood of those that work here."

Read more about Contura 35 low on page 36.

High tones, high flames



"It is as if the fire is on stage when it is raised on its pillar, I like that. It stands and burns slightly above everything else, is visible, lights up and inspires."

Read more about Contura 586 Style on page 55.

A room with a view



"This room is our oasis, but it was quite cold before we put the stove in. We like the fact that the light through the windows is reflected by the generous view of the fire and that it has a simple, almost graphic design. The winters feel a lot easier nowadays."

Read more about Contura 35 high on page 34.

Pottering about in the kitchen



"We want to enjoy the fire as much as possible, from all corners of the room. It is so nice to see and feel the fire when preparing the food. You can't beat a meal with the heat and warm glow from the fire"

Read more about Contura 596T Style on page 56.



Light with the environment in mind

Everything we do has an impact on the environment in some way. Today, we often have the opportunity to influence to what extent. One way to contribute to a reduced environmental impact when choosing a stove is to select a high-efficiency, modern clean-burning appliance with the latest combustion technology.

At Contura, we place stringent requirements on our manufacturing processes. This means our products can be recycled without the spread of toxic substances.

The requirements for efficient combustion are also high. It is during combustion that unhealthy particulates and hydrocarbons are formed. Contura stoves have a combustion efficiency that puts them below the permitted limits, provided that you light properly. Learn more about how to light effectively and with most efficiency at www.contura.eu. It is the best for you and the environment.

A wood burning stove is CO₂ neutral, because the carbon dioxide produced during the efficient combustion of bioenergy is taken up in the corresponding quantity as new trees are growing.

By lighting, you get a natural supporting heat in the house, which relieves the load on the house's main heating. It benefits both you and the environment.



Which Contura are you?

Contura is available in a number of models and sizes. Common to all of them is a generous area of glass that shows a lot of the fire as well as Swedish design, quality and manufacturing.

How large an area can the stove heat? What does the area where the stove is be located look like? There are different factors that determine the choice of the size of the firebox, the heating capacity as well as the size of the stove itself. The differences between the stove series are in the shape of the casing and the size of the firebox. Each series has different variants and different stove casings, so that you can choose the exact characteristics you want from your stove. In addition, there are accessories for different purposes, for example, heat retention and wood storage.

When you are clear about what suits your needs, the most important thing remains:
To choose a stove that is easy on the eye and that will be a dear friend to the home for many years to come. We are sure that you will find a favourite.



Stoves



Soapstone stoves



Tiled stoves



Cast iron stoves



THERE ARE LOTS OF ACCESSORIES FOR OUR STOVES
Read more on page 74



'How much of the fire do you want to see?'

Many, many Contura owners appreciate their stoves for one special property:
It shows a lot of the fire. Large front glass and generous side glass means that you can see the fire from (nearly) every angle. Look out for our symbol for flame visibility! It indicates how much of the fire the model shows.



Only front glass.



Front glass with narrow side glass.



Front glass with large side glass.



With a turntable the fire can be seen 360°

Size first

When you have made the decision to purchase a stove it is important to think carefully about which model it should be.

Size is the most important choice - Contura has sizes ranging from the small stove for a cottage to majestic installations for large reception rooms, and everything in-between.

Measure the space where the stove is to stand and check the distances to flammable materials. Calculate the size of the area that the stove is to heat. Now you know what size you should be looking for. The dimensions and heating capacities are given alongside each model.

Choose design

Stoves from Contura are appreciated because they show so much of the fire. This makes the stoves easy to position, even in small spaces. Thanks to the large glass areas, in most models the flames can be seen from at least three sides.

The stoves are available in most shapes, round, angular, oval, tall, low, narrow or wide. Have a good look! We are sure that you will find the one you want.

Different materials

The material makes a up a large part of the stove's properties. The stoves heat up quickly and spread their heat only a few minutes after the fire has caught. When the fire has burned down it cools quite quickly.

The soapstone stoves have, as well as their natural good looks, the ability to retain heat over a long period. Heating up takes a little longer,

but when the stone has been heated after a period of being lit the heat accumulates. When the fire burns low the stone is still very hot and it takes several hours to cool. The tiled stove gives the home a light, classical and homely style. Cast iron stoves are strongly robust. In our interpretation they also have a rugged modern style.

Personal style

With our accessories you can give the stove your own personal style and adapt it to your interests and needs.

You can, for example, choose the colour, a different top plate, door, log box, baking oven, hotplate, fan, heat tank, damper, a connection to outdoor air, floor protector and much more. All accessories are made by Contura for Contura and fit the stoves perfectly. Read more about accessories on pages 66-71.



Good properties a stove needs

- 1 High flame visibility.** Several of Contura's models have generous glass areas that display a lot of the fire. The stove is easy to position so that the flame is visible from several points in the room. Our symbol for flame visibility indicates how much flame a particular model displays.
- 2 Cast iron door.** In order to resist the stresses that arise with the large temperature variations in the stove, the door must be made from shape-retaining cast iron.
- 3 Most efficient in test.** The efficiency is the relationship between the energy the stove gives off and the energy that is supplied in the form of logs. Contura's stoves have an efficiency of up to 81% which is one of the highest on the market according to independent testers.
- 4 Swedish made and guaranteed.** Contura stoves are high quality Swedish products developed and manufactured by NIBE AB. We give a five year factory warranty on all stoves.
- 5 Clean Burning System.** The hot combustion air is flushed out onto the inside of the glass, which prevents soot build-up. This ensures that the fire is always visible in the room.
- 6 Powerful convection.** The cool room air is drawn into the stove from underneath, is heated and rises. Just a few minutes later the hot air flows out into the room.
- 7** All Contura products are CE marked, which guarantees a safe product.
- 8 Simple to use.** Contura stoves are equipped with controls for exact power regulation that allow simple, precise combustion control. The door, grates and ashbox are also easily accessible on our stoves.
- 9 Flexible.** Contura stoves are available in a number of variants and models. It is possible to choose the height, colour and various tops for several of the models in order to give the stove a personal touch.
- 10 Fan and heat retention.** For maximum efficiency in heating, it is possible to choose fans and different heat retention properties for several of Contura's models.
- 11 Many options.** Supplement the stove with one or more options such as a baking oven, warming shelf, drawer, floor protector of sheet metal or glass. A turntable makes it possible to rotate the stove for maximum flame visibility in the room.

Scandinavian style and continental charm

Are you looking for an excellent heat source? Contura 26 is for those of you who want to see a lot of the fire and want to be really warm and cosy. The stoves in the series have curved glass and the casing conceals a heat tank of efficient heat retaining powerstone. They are like an updated tiled stove and if you choose a baking oven you get even more use out of your stove.

Contura 26 is available with a gloss white or matt sand-coloured tile casing and with heat retaining, naturally patterned soapstone.

The heat tank is included in the low models and is optional for the tall models.

Read more about the heat tank and efficiency test of Contura 26 on page 100.

Output	6 kW
Efficiency	79%
Heats	up to 150 m²
Height	1622 mm
Width	582 mm
Depth	462 mm
Weight with baking oven	265 kg
Weight with heat tank	360 kg
Colour	Black, grey
Tiles	White, sand
Max. log length	40 cm



Select options: Fan, baking oven, extra heat tank, floor protector in glass or sheet metal, outside air connection.

CONTURA 26K, high



CONTURA 26T high



Select options: Fan, baking oven, extra heat tank, floor protector in glass or sheet metal, outside air connection.

HIGH FLAME VISIBILITY AND A LOT OF HEAT

Combine the use with the smell of freshly baked bread

Equip the soapstone stove with a baking oven! The high model gives a real heating boost to the house. With a baking oven the heat is exploited to the full. Buns, pizza or pies can be beautifully baked. You can keep an eye on the temperature using the thermometer supplied with the oven. An extra heat tank gives a long cooling period (option). See efficiency tests on page 101.

Output	6 kW
Efficiency	79%
Heats	up to 150 m²
Height	1622 mm
Width	582 mm
Depth	462 mm
Weight with baking oven	480 kg
Colour	Black, grey
Max. log length	40 cm

CONTURA 26T low



Select options: Fan, floor protector in glass or sheet metal, outside air connection.

Spread the heat through the whole house

Contura 26T low has an integrated heat tank and can be equipped with a fan that effectively spreads the heat from room to room. The sturdy handle on Contura 26 makes the door easy to open.

Output	6 kW
Efficiency	79%
Heats	up to 150 m²
Height	1312 mm
Width	582 mm
Depth	462 mm
Weight	420 kg
Colour	Black, grey
Max. log length	40 cm

Warming comfort

The Contura 26K low models are also suitable for when large areas need to be heated. This model occupies a small area but provides the pleasant feeling of a tiled stove. Thanks to the large glass areas the flames can be seen from several directions. The heat tank in powerstone retains heat efficiently (included). Select a glass floor protector to enhance the light, clean impression.

Output	6 kW
Efficiency	79%
Heats	upp till 150 m²
Height	1312 mm
Width	582 mm
Depth	462 mm
Weight	240 kg
Color	Black, grey
Tile	White, sand
Max log length	40 cm

CONTURA 26K low



Select options: Fan, floor protector in glass or sheet metal, outside air connection.

Prized for its design, loved for its warmth

Boldness characterises the 30 Contura series. This is a stove that makes an impression on the room, and lets the fire glow behind a generous expanse of glass. Contura 35T (image) has been awarded the Red dot award for its design and excellent properties. The tall models in the Contura 30 series can be supplemented with heat retaining powerstone. The low models are designed by Vitre design. The material choices combine steel, soapstone, glass, mirrored glass and cast iron for both aesthetics and function.

Contura 30 combines many good things: quick heating, good flame visibility and, if required, heat retention.

Output	5 kW
Efficiency	80%
Heats	up to 120 m ²
Height	1600 mm
Width	550 mm
Depth	430 mm
Weight	250 kg
Weight with heat tank	320 kg
Colour	Black, grey
Max. log length	35 cm

LET THE HEAT
STAY FOR
LONGER

Select options: Fan, heat tank (cannot be combined with fan), floor protector of glass or sheet metal, outside air connection.



CONTURA 35 high



Contura 35 white available with a door in glass or in black cast iron.

Exclusive design with outstanding heat

Contura 35 is a new sibling of the Red dot design Award-winning Contura 35T. With a white steel surround, glass or cast iron door and glass top, it is an exclusive design that suits a number of environments. A generous powerstone heat tank (option) gives off comfortable heat for up to seven hours after the fire has gone out. More of the fire can be seen thanks to side glass areas. Our unique Clean Burning System keeps the glass clean.

Output	5 kW
Efficiency	80%
Heats	up to 120 m²
Height	1600 mm
Width	550 mm
Depth	430 mm
Weight	130 kg
Weight with heat tank	200 kg
Colour	white
Max. log length	35 cm



Select options: Fan, heat tank (cannot be combined with fan), floor protector of glass or sheet metal, outside air connection.

Uncompromising raw power and a lot of fire

Contura 35 is a cousin of the Red dot design Award-winning Contura 35T. Instead of having a soapstone casing, Contura 35 is covered in sheet metal which gives it an austere, industrial feel. The fire has a lot of space behind a generous glass area.

Output	5 kW
Efficiency	80%
Heats	up to 120 m²
Height	1600 mm
Width	550 mm
Depth	430 mm
Weight	130 kg
Colour	Black, grey
Max. log length	35 cm

Prize winning stove that stands out from the crowd

34T
35

The "Red dot quality label for high design quality" is an award for outstanding and innovative design in one of the most prestigious design competitions in the world. Contura 35T received the award in 2010. We are very proud of it – at least as proud as we are that the efficiency level is 80% and that, like all our stoves, it is eco-labelled. Enjoy a little more of the fire!

Output	5 kW
Efficiency	80%
Heats	up to 120 m²
Height	1600 mm
Width	550 mm
Depth	430 mm
Weight	320 kg
Weight with heat tank	390 kg
Colour	Black, grey
Max. log length	35 cm



Select options: Fan, heat tank (cannot be combined with fan), floor protector of glass or sheet metal, outside air connection.

CONTURA 35 low



Contura 35 low white is available with a glass or black cast iron door.

A stove with many faces

Contura 35 low is a stove with a lot of choices: you can choose between three different surrounds, each with its own specific, aesthetic qualities: glossy white steel, sober black steel or natural soapstone. All models have a glass top and side glass areas so more of the fire can be seen.

Output	5 kW
Efficiency	80 %
Heats	up to 120 m ²
Height	1100 mm
Width	550 mm
Depth	430 mm
Weight	116 kg
Colour	white
Max. log length	35 cm

CONTURA 35 low, black



Design, fire and heat with heritage

Contura 35 low is a smaller sibling of the Red dot design Award-winning Contura 35T. The low model makes the stove easy to position in any setting.

Output	5 kW
Efficiency	80 %
Heats	up to 120 m ²
Height	1100 mm
Width	550 mm
Depth	430 mm
Weight	188 kg
Colour	black
Max. log length	35 cm

New versions, providing comfort

Contura 35 low is a stove with a lot of choices: you can choose between three different surrounds, each with its own specific, aesthetic qualities: glossy white steel, sober black steel or natural soapstone. All models have a glass top

This door is available in cast iron or with a glass front. Whichever you choose, you get fantastic heat and the cosy feeling of a lot of fire for a long, long time.

Output	5 kW
Efficiency	80 %
Heats	up to 120 m ²
Height	1100 mm
Width	550 mm
Depth	430 mm
Weight	116 kg
Colour	sort
Max. log length	35 cm

35 low

35T low

CONTURA 35T low



Contura 35T low with cover in naturally heat-storing soapstone for a particularly long-lasting and comforting warmth.

Cast iron for ever and a day

Who doesn't love cast iron? The easily formed, tough and beautiful material has been used for so many appliances through our history. Things that should be really stable, strong and heavy are made of cast iron – manhole covers and Grandma's frying pan, for example. This is the tradition behind Contura's tough and modern cast iron stoves, designed by young Swedish designers. Whichever model you choose you get a small and robust stove that shows a lot of light and heats for a long, long time.

This versatile 5kW stove means you can have a fire with a low output in order to maintain an even and comfortable temperature in the room for a long period. The stoves have high capacities and can heat up to approx 120m² in favourable conditions.

THE LOG GRATE
HOLDS THE LOGS IN
PLACE WHEN THE
DOOR IS OPENED

Output	5 kW
Efficiency	81%
Heats	up to 120 m ²
Height	630 mm
Width	495 mm
Depth	420 mm
Weight	124 kg
Colour	Black or grey
Max. log length	35 cm



Select options: Extra handle matt chrome or black, floor protector in black sheet metal, outside air connection.

CONTURA 51L

CONTURA 51

Swan marked cast iron stove

A modern cast iron stove with convection air. It has four adjustable legs and is prepared for connection to outside combustion air.

Output	5 kW
Efficiency	81 %
Heats	up to 120 m ²
Height	630 mm
Width	495 mm
Depth	420 mm
Weight	124 kg
Colour	Black or grey
Max. log length	35 cm

Select options: Extra handle matt chrome or black, floor protector in black sheet metal, outside air connection.

Straight and discrete but warm and alive

This cast iron stove is designed by the Swedish design group, Myra. With its straight lines and covered sides it has a place in both contemporary and more rustic styles.

Output	5 kW
Efficiency	81 %
Heats	up to 120 m ²
Height	825 mm
Width	495 mm
Depth	420 mm
Weight	135 kg
Colour	Black
Max. log length	35 cm

CONTURA 52

Select options: Extra handle matt chrome or black, floor protector in black sheet metal, outside air connection.

CONTURA 52T

Select options: Hotplate, extra handle in matt chrome, floor protector in black sheet metal, outside air connection.

Substantial stoves in cast iron and soapstone

The cast iron stove has a long tradition that has been given a contemporary interpretation. The 50 range has the same efficient firebox as all Contura stoves. With soapstone sides the heat is retained for a long, long time.

Output	5 kW
Efficiency	81 %
Heats	up to 120 m ²
Height	875 mm
Width	495 mm
Depth	420 mm
Weight	172 kg
Colour	Black
Max. log length	35 cm

CONTURA 54



Select options: Extra handle matt chrome or black, floor protector in black sheet metal, outside air connection.

Rounded with full sides

Contura 54 has fully covering sides with adjustable feet for stability on all surfaces. In the image the detachable handle is removed.

Output	5 kW
Efficiency	81%
Heats	up to 120 m ²
Height	825 mm
Width	550 mm
Depth	455 mm
Weight	149 kg
Colour	Black
Max. log length	35 cm

CONTURA 54T



Select options: Hotplate, extra handle matt chrome or black, floor protector in black sheet metal, outside air connection.

Robust and spacious but small and neat

Contura 54T is the curved model in the 50 range. The fantastic thing with this stove is that it has enormous capacity, despite the fact that it is so compact and easily positioned. A powerhouse! See efficiency tests of Contura 54T on page 105.

Output	5 kW
Efficiency	81%
Heats	up to 120 m ²
Height	875 mm
Width	550 mm
Depth	455 mm
Weight	190 kg
Colour	Black
Max. log length	35 cm

A classical piggy bank.

Contura 400 is a classically styled series for those you want to flirt with a genuine, masonry stove-feel in the home. The fire can be seen as if the stove is open, but the effect is much greater thanks to the protective glass, the efficient firebox and heat retaining power-stone under the cover. Choose a casing with natural heat retaining soapstone and give your home a real piggy bank. All models in the series have a large ash-pan concealed under the door.

Contura 470T (image) is clad in specially designed soapstone. Glass on three sides means that the fire can be experienced by everyone in the room. Thanks to the soapstone and the heat tank under the stove hood, it radiates heat for many hours after the fire has gone out. That saves you money!

Output	6 kW
Efficiency	80%
Heats	up to 150 m ²
Height, medium height/high	2050/2415 mm
Width	664 mm
Depth	560 mm
Weight, med.height/high	328, 355 kg
Colour	Grey
Max. log length	39 cm

LIGHT
ENVIRONMENTALLY
CONSCIOUSLY!
READ MORE AT
WWW.CONTURA.EU

Select options: Fan, additional side glass, extension parts in soapstone, floor protector in grey sheet metal, outside air connection.



CONTURA 470

CONTURA 480



Select options: Fan, hotplate, additional side glass, floor protector in glass or sheet metal, outside air connection.

Heats both body and soul

Soapstone is a pure, natural material with individual veining and good heat retaining characteristics. Contura 480T has a soapstone casing and there is heat retaining powerstone under the cover. The well-tested and efficient firebox in the 400 series gives a generous glass area that allows the fire to light up the room.

Output	6 kW
Efficiency	80%
Heats	up to 150 m²
Height	1250 mm
Width	552 mm
Depth	526 mm
Weight	290 kg
Colour	Grey
Max. log length	39 cm

CONTURA 450



Select options: Additional side glass, fan, floor protector in white, grey or black sheet metal, outside air connection.

Heat retention in the stove cover

The heat retention in the soapstone together with the powerstone under the cover gives off heat for several hours. Contura 450T has glass on three sides, and soft round lines. The glow of the fire spreads around the entire room. The large glass sections reinforce the feeling of warmth. Available in black, white or grey.

Output	6 kW
Efficiency	80%
Heats	up to 150 m²
Height	1195 mm
Width	640 mm
Depth	550 mm
Weight	182 kg
Colour	Black, white, grey
Max. log length	39 cm

Large glass surfaces in the sides

The glass surfaces give a wonderful view into the fire. The efficient firebox and heat tank in the cover also produce good heat in the event of a power cut. A perfect choice for those that value classic design and technical excellence. Available in black, white or grey.

Output	6 kW
Efficiency	80%
Heats	up to 150 m²
Height	1195 mm
Width	640 mm
Depth	550 mm
Weight	164 kg
Colour	Black, grey, white
Max. log length	39 cm

450

450T

480

CONTURA 450T



Select options: Additional side glass, fan, floor protector in white, grey or black sheet metal, outside air connection.



New shapes, clean lines

Contura 500 Style is a development of our most popular models in the 500 series. The lines are cleaner and the functions have been improved. The glass door gives a light, modern appearance while the clean lines of the design allow the stove to blend into your home, whatever style you prefer.

On the Contura 500 Style, the top is thinner and the damper and handles are more integrated into the front of the stove.

You can have your Contura exactly how you want it with the option of extra features, for example, heat tank, fan, hotplate, log box or floor protector. Different models have different options, read about the possibilities for your favourite.

Contura 556, is one of this year's hot new products. The white gloss painted panels and generous glass door are topped by either attractive glass or white painted cast iron.

Output	5 kW
Efficiency	80%
Heats	up to 120 m²
Height	1,066 mm
Width	495 mm
Depth	440 mm
Weight	104 kg
Colour	White, black
Max. log length	33 cm



Select options: Cast iron or glass top, fan, cover, airtable, hotplate, floor protector in glass or sheet metal, outside air connection.

CONTURA 556G *Style* glass door



CONTURA 520 Style, cast iron door



Select options: Cover, turntable, hotplate, floor protector in glass or sheet metal, outdoor air connection.

With powerstone and convection damper for maximum heating

Contura 520 is the new product for those that want the most output from the smallest area. The 100 kg heat retaining powerstone top and convection damper give excellent heat retention and heat distribution.

Output	5 kW
Efficiency	80%
Heats	up to 120 m ²
Height	1,100 mm
Width	570 mm
Depth	477 mm
Weight	205 kg
Colour	Black
Max. log length	33 cm



CONTURA 510G Style glass door



Select options: Cast iron, glass or soapstone top, fan, cover, turntable, hotplate, floor protector in glass or sheet metal, outside air connection.

The new glass door gives a warm glow

The glass door gives the Contura 510 a modern facelift. The fire does not just heat, it lights up the room through the generous door.

Output	5 kW
Efficiency	80%
Heats	up to 120 m ²
Height	1,066 mm
Width	495 mm
Depth	440 mm
Weight	105 kg
Colour	Black
Max. log length	33 cm

CONTURA 510 Style cast iron door



Select options: Cast iron, glass or soapstone top, cover, fan, turntable, hotplate, floor protector in glass or sheet metal, outside air connection.

Beloved base model with a new lease of life

Contura 510 is one of the world's best loved stoves. Style has given the compact, easy to position model a new lease of life with a slim door, larger glass and more efficient combustion.

Output	5 kW
Efficiency	80%
Heats	up to 120 m ²
Height	1,066 mm
Width	495 mm
Depth	440 mm
Weight	100 kg
Colour	Black, grey
Max. log length	33 cm

CONTURA 520T Style



Select options: Fan, cover, turntable, hotplate, floor protector in glass or sheet metal, outdoor air connection.

Clad in soapstone for all those cold days

The soapstone surround gives Contura 520T natural heat retaining properties. At the same time, its compact size means that it is easy to position in the home. The soapstone surround has natural variations and patterns, each stove is unique.

Output	5 kW
Efficiency	80%
Heats	up to 120 m²
Height	1,100 mm
Width	566 mm
Depth	475 mm
Weight	221 kg
Colour	Black, grey
Max. log length	33 cm

CONTURA 556 Style cast iron door



Select options: Cast iron, glass (only for black) or soapstone top, fan, cover, turntable, hotplate, floor protector in glass or sheet metal, outside air connection.

Create your stove as you want it

Contura 556 can be varied almost infinitely. Choose a soapstone, glass or cast iron top. Choose a turntable or a hotplate and a fan for an extra boost to the heat flow.

Output	5 kW
Efficiency	80%
Heats	up to 120 m²
Height	1,066 mm
Width	495 mm
Depth	440 mm
Weight	104 kg
Colour	Black
Max. log length	33 cm

Delightful light, excellent features

Contura 556 is many people's favourite. It is easy to understand why. you get a lot in a compact format. Large, attractive glass that displays a lot of the fire, a lot of features and attractive design. Choose a cast iron or glass door.

Output	5 kW
Efficiency	80%
Heats	up to 120 m²
Height	1,066 mm
Width	495 mm
Depth	440 mm
Weight	100 kg
Colour	Black, grey
Max. log length	33 cm

520T

556

CONTURA 556G Style glass door



Select options: Cast iron, glass or soapstone top, fan, cover, turntable, hotplate, floor protector in glass or sheet metal, outside air connection.

CONTURA 556T Style cast iron door



Select options: Fan, cover, turntable, hotplate, floor protector in glass or sheet metal, outdoor air connection.

See a lot of the fire, enjoy the heat for a long time

Contura 556T has received new, even bigger side lights. With the soapstone surround you get the best of both worlds: the light of the fire is spread through the large glass and the naturally heat retaining soapstone gives you the best heating.

Output	5 kW
Efficiency	80%
Heats	up to 120 m²
Height	1,083 mm
Width	542 mm
Depth	440 mm
Weight	175 kg
Colour	Black, grey
Max. log length	33 cm

CONTURA 586 Style cast iron door



Select options: Cast iron, glass (only for black) or soapstone top, turntable, hotplate, floor protector in glass or sheet metal, outside air connection.

Let the fire be seen

A stove on a pillar has many advantages. The height simplifies care of the fire while the light from the flames is raised.

Choose a cast iron or glass door and from several good options.

Output	5 kW
Efficiency	80%
Heats	up to 120 m²
Height	1,143 mm
Width	495 mm
Depth	440 mm
Weight	104 kg
Colour	Black
Max. log length	33 cm

Increase and spread the energy in the room

Contura 586 with generous side glass is raised on a pillar. Here the fire gets a lot of free space, especially if you choose a turntable and position the stove into the room slightly.

Output	5 kW
Efficiency	80%
Heats	up to 120 m²
Height	1,143 mm
Width	495 mm
Depth	440 mm
Weight	104 kg
Colour	Black, grey
Max. log length	33 cm

556T

586

CONTURA 586G Style glass door



Select options: Cast iron, glass or soapstone top, turntable, hotplate, floor protector in glass or sheet metal, outdoor air connection.

CONTURA 596T Style cast iron door



Select options: Fan, high or low cover, extra heat tank with convection damper*, turntable, floor protector in glass or sheet metal, outdoor air connection.
* Cannot be combined with a fan.

A stove with extra everything, please!

Contura 596T is a stove for those who want it all - a lot of heat, lots of features, to see lots of the fire and to enjoy it for a long time. With an extra heat tank, soapstone surround, new larger sidelights and a convection damper it has everything.



Output	5 kW
Efficiency	80%
Heats	up to 120 m ²
Height	1,544 mm
Width	542 mm
Depth	463 mm
Weight	220 kg
Colour	Black, grey
Max. log length	33 cm

CONTURA 590T Style cast iron door



Select options: Fan, high or low cover, extra heat tank with convection damper, turntable, floor protector in glass or sheet metal, outdoor air connection.

Enjoy the extra large expanse of glass

Contura 596 in black painted sheet metal has new larger side lights that display a lot of the fire. Choose from a cast iron, glass (only for black) or soapstone top. The soapstone top is a practical surface for keeping teapots warm.

Output	5 kW
Efficiency	80%
Heats	up to 120 m ²
Height	1,529 mm
Width	495 mm
Depth	440 mm
Weight	136 kg
Colour	Black, grey
Max. log length	33 cm



The best heating and fire possible

The models in the Contura 590 series give lots of opportunities for personal choices. The basic stove is black painted sheet metal or with a soapstone surround. Then choose a turntable or heat tank, for example, for more functions. A floor protector is practical, easy to maintain and attractive - choose between sheet metal or glass.

Output	5 kW
Efficiency	80%
Heats	up to 120 m ²
Height	1,544 mm
Width	542 mm
Depth	463 mm
Weight	240 kg
Colour	Black, grey
Max. log length	33 cm



590T

596

596T

CONTURA 596 Style cast iron door



Select options: Cast iron or soapstone top, fan, high or low cover, extra heat tank with convection damper*, turntable, floor protector in glass or sheet metal, outdoor air connection.
* Cannot be combined with a fan.

Greater options

The stoves in the 600 series have a larger firebox than their siblings in the 500 series. This means a larger door with larger expanse of glass and that longer logs can be used.

There is a practical space at the top that can either be used as an open warming shelf or baking oven. The taller models can be supplemented with heat retaining powerstone at the top. Of course, there is a huge selection of casings in different styles and with different characteristics.

Contura 620T (image) has a spacious casing in natural heat retaining soapstone.

Output	6 kW
Efficiency	79%
Heats	120 m ²
Height	1220 mm
Width	590 mm
Depth	510 mm
Weight	270 kg
Colour	Black, grey
Max. log length	36 cm



Select options: Soapstone base, drawer, hot-plate, turntable, fan, floor protector of glass or sheet metal, outside air connection.

CONTURA 620T

CONTURA 620S



Soft and lively structures

Sandstone is a sedimentary rock consisting of mainly quartz, lime & iron sand grains that are aggregated together. The naturally-occurring composition of these sand grains determines the stone's vein structure and colour nuances. The result is an alluring, individual and unique appearance in each sandstone-clad stove.

Output	6 kW
Efficiency	79%
Heats	150 m²
Height	1220 mm
Width	590 mm
Depth	510 mm
Weight	270 kg
Colour	Black, grey
Max. log length	36 cm

Accessories: Plinth of steel or sandstone, drawer, hot plate, turntable, fan, glass hearth plate, outside air kit.

A light corner

The room got a new lease of life when we put the new stove in the corner. It fits in beautifully and we really like the fact that the flames are raised up from floor level.

Output	6 kW
Efficiency	79%
Heats	150 m²
Height	1544 mm
Width	551 mm
Depth	478 mm
Weight	156 kg
Colour	Black, grey
Max. log length	36 cm



CONTURA 630T



In harmony with nature

We love the barren and rocky landscape around our house. It was the obvious choice to have a stove fully clad in soapstone – even the base door under the firebox! It feels like it is made of the materials that are outside the windows.

Output	6 kW
Efficiency	79%
Heats	150 m²
Height	1544 mm
Width	551 mm
Depth	478 mm
Weight	260 kg
Colour	Black, grey
Max. log length	33 cm

Select options: Fan, soft closing door in soapstone, heat storage, turntable, floor protector of glass or sheet metal, outside air connection.

620S

630

630T

635

CONTURA 630



Cosiness, heating and light in the loft

When we realised how easy it was to install a stove there was no doubt. And having come to that conclusion, we wanted one that fits in, lights up and heats. Now we have everything!

Output	6 kW
Efficiency	79%
Heats	150 m²
Height	1544 mm
Width	551 mm
Depth	478 mm
Weight	160 kg
Colour	Black, grey
Max. log length	36 cm

EFFICIENCY TESTS
IN PAGE 107

Select options: Cast iron, steel disc or soapstone top, heat storage, fan, turntable, floor protector in glass or sheet metal, outside air connection.

CONTURA 635



Select options: Cast iron-, steel top- or soapstone top, fan, heat storage, turntable, floor protector of glass or sheet metal, outside air connection.



CONTURA 650



Select options: Cast iron, steel disc or soapstone top, warming shelf in steel or soapstone, baking oven, fan, hotplate, drawer (cannot be combined with fan), base plate, turntable, floor protector of glass or sheet metal, outside air connection.

A large room needs a powerful stove

The basic model in the 600 range is an efficient stove in painted metal with a larger firebox and greater output than the 500 range. This means that the actual stove and glass door are bigger, likewise the fire experience. With the wood being close to hand, the fire can be kept going easily and the heat retained.

Output	6 kW
Efficiency	79%
Heats	up to 150 m ²
Height	1200 mm
Width	555 mm
Depth	480 mm
Weight	150 kg
Colour	Black, grey
Max. log length	36 cm

Materials and details that suit your lifestyle.

Choose Contura 655 with side glass to see the fire from all directions. With a cast iron top you get an attractive warming shelf and the box makes for a practical log store. If you choose a soapstone top and shelf you get an extra moment of pleasant heat.

Output	6 kW
Efficiency	79%
Heats	up to 150 m ²
Height	1200 mm
Width	555 mm
Depth	480 mm
Weight	150 kg
Colour	Black, grey
Max. log length	36 cm

CONTURA 655



Select options: Cast iron, steel disc or soapstone top, warming shelf in steel or soapstone, baking oven, fan, hotplate, drawer (cannot be combined with fan), base plate, turntable, floor protector of glass or sheet metal, outside air connection.

CONTURA 660T



Select options: Soapstone warming shelf, baking oven, fan, convection front, hotplate, drawer (cannot be combined with fan), base of sheet metal or soapstone, turntable, floor protector of glass or sheet metal, outside air connection.

Large houses need maximum heat for longer

Soapstone stoves are suitable for those who need to heat large areas. Thanks to the excellent heat retention properties of the stove the heat remains long after you have gone to bed.

Output	6 kW
Efficiency	79%
Heats	up to 150 m ²
Height	1220 mm
Width	590 mm
Depth	510 mm
Weight	270 kg
Colour	Black, grey
Max. log length	36 cm

A tiled stove for large warm homes

The 600 range also includes the tiled stove for the present day. It has been designed to blend in to large rooms and open-plan areas where it matches a tiled kitchen. A tiled top enhances the feeling of a tiled stove.

Output	6 kW
Efficiency	79%
Heats	up to 150 m ²
Height	1220 mm
Width	590 mm
Depth	510 mm
Weight	190 kg
Colour	Black, grey
Tiles	White
Max. log length	36 cm

CONTURA 660K



Select options: Tiled warming shelf, fan, convection front, baking oven, hotplate, drawer (cannot be combined with fan), base of sheet metal or soapstone, turntable, floor protector of glass or sheet metal, outside air connection.

650

655

660T

660K

Grandeur that takes up little space

The Contura 700 series is characterised by a modern soft-lined and narrow shape that makes it easy to position. There are many series variations, choose with or without side glass, high or low base, pillars and several exciting casing materials. Of course, you can choose heat-retaining powerstone, storage door in the same material as the stove casing and much more. The door's large expanse of glass does the fire justice.

The Contura 790K in the image is fully clad in attractive satin matt, black tiles.

Output	5 kW
Efficiency	80 %
Heats	up to 120 m ²
Height	1600 mm
Width	550 mm
Depth	430 mm
Weight	170 kg
Colour	Black, grey
Max. log length	33 cm



Select options: Heat storage (can not be combined with fan), soft closing door in tile, floor protector in glass or sheet metal, outside air connection.

CONTURA 790K, black

CONTURA 780



Select options: Turntable, soft-close door, floor protector in glass or sheet metal, outside air connection.

Fire for a new generation

We have pushed the boundaries of modern stove design with the Contura 700 range.

The contemporary design, by the renowned Swedish design group Myra, makes the stove an obvious focal point in all rooms - without taking up much floor space. Place the stove on a pillar and see even more of the already widely visible fire.

Output	5 kW
Efficiency	80%
Heats	120 m²
Height	1200 mm
Width	459 mm
Depth	372 mm
Weight	103 kg
Colour	Black, grey
Max. log length	30 cm

CONTURA 750



Select options: Soft-close storage door, floor protector in glass or sheet metal, outside air connection.

STORAGE BEHIND A SOFT-CLOSE DOOR

For those who want to stand out

Aluminium gives a really interesting contrast to the glow of the flames. If you want something that feels trendy not just now but for many years to come Contura 750A is an obvious choice. Both sides and rear are clad in aluminium which makes it even more attractive for positioning in the middle of the room.

Output	5 kW
Efficiency	80%
Heats	up to 120 m²
Height	1151 mm
Width	459 mm
Depth	372 mm
Weight	103 kg
Colour	Black, grey
Max. log length	30 cm



Let the stove shine

A high mounted firebox and very generous glass areas make this stove the burning heart of your home, wherever it is.

750

750A

780

Output	5 kW
Efficiency	80%
Heats	up to 120 m²
Height	1151 mm
Width	459 mm
Depth	372 mm
Weight	103 kg
Colour	Black, grey
Max. log length	30 cm

CONTURA 750A



Select options: Soft-close storage door, floor protector in glass or sheet metal, outside air connection.



CONTURA 790K, white high gloss



Select options: Heat storage (can not be combined with fan), soft-closing door in tile, floor protector in glass or sheet metal, outside air connection.

Let the fire take place

High-gloss white tiles give Contura 790K a modern yet classical surround. Add a heat tank for even longer lasting heat. Contura 790K is also available in silk matt, black tiles, see page 61. See efficiency tests on page 103.

Output	5 kW
Efficiency	80%
Heats	120 m²
Height	1600 mm
Width	550 mm
Depth	430 mm
Weight	170 kg
Colour	Black, grey
Max. log length	35 cm

CONTURA 790T



Select options: Heat storage (can not be combined with fan), soft-closing door in tile, floor protector in glass or sheet metal, outside air connection.

With natural heating

Contura 790T is fully clad in natural heat retaining soapstone. The soapstone has distinctive veining with natural variations that makes each stove unique. Choose power-stone heat tank for extra long post heat or fan for excellent heat distribution. See efficiency tests on page 103.

Output	5 kW
Efficiency	80%
Heats	120 m²
Height	1600 mm
Width	550 mm
Depth	430 mm
Weight	250 kg
Weight with heat storage	320 kg
Color	Black, grey
Max. log length	35 cm

A large stove in compact form

Contura 800 has taken its inspiration from the famous superellipse. The shape makes this stove compact and attractive, it is only 36 cm deep and 46 cm wide making it very easy to position, even in small spaces. Thanks to its excellent shape, we have been able to add generous areas of glass without losing efficiency in the firebox.

Contura 800 can be chosen with or without side glass, fully or partially clad in natural heat retaining soapstone, with or without storage. It can even be placed on a pillar with turntable so the fireplace is in the centre of the room.

Output	4 kW
Efficiency	82%
Heats	90 m ²
Height	915 mm
Width	460 mm
Depth	360 mm
Weight	85 kg
Colour	Black, grey
Max. log length	30 cm



CONTURA 850

Accessories: Soft-close door, self-closing door, floor protection in glass or steel, outdoor air connection.

CONTURA 810



Accessories: Soft-close door, self-closing door, floor protection in glass or steel, outdoor air connection.

A little shining star

The base model of the range is available in grey and black with a generous glass area in the door. The chimney can be connected to the top or rear of the stove on all models.

Output	4 kW
Efficiency	82%
Heats	90 m²
Height	915 mm
Width	460 mm
Depth	360 mm
Weight	75 kg
Colour	Black, grey
Max. log length	30 cm

ADJUSTABLE FEET ENSURE THE STOVE IS LEVEL ON UNEVEN FLOORS.

CONTURA 860T



Accessories: Soft-close door, self-closing door, floor protection in glass or steel, outdoor air connection.

The fire can be seen from distance

Contura 860T combines form and function in the perfect way: the generous side glass areas mean that the fire is visible throughout the whole room (and far beyond!) while the soapstone clad back retains the heat long after the embers have died.

Output	4 kW
Efficiency	82%
Heats	90 m²
Height	930 mm
Width	460 mm
Depth	360 mm
Weight	110 kg
Colour	Black, grey
Max. log length	33 cm

810

820T

860T

880

A powerful jewel

The ellipse shaped Contura 820T with soapstone is small in form, but mighty in function. With sides clad in heat retaining soapstone, the unique veined stone makes a wonderful contrast to the flames behind the generous glass in the door.

Output	4 kW
Efficiency	82%
Heats	90 m²
Height	930 mm
Width	460 mm
Depth	360 mm
Weight	125 kg
Colour	Black, grey
Max. log length	30 cm

CONTURA 820T



Accessories: Soft-close door, self-closing door, floor protection in glass or steel, outdoor air connection.

For those who want to stand out

The pillar mounted stove allows the fire to be seen even better in the room. A turntable allows the stove to be turned smoothly all the way around (option).

Output	4 kW
Efficiency	82%
Heats	90 m²
Height	1060 mm
Width	460 mm
Depth	360 mm
Weight	90 kg
Colour	Black, grey
Max. log length	33 cm

DIRECT THE FIRE TOWARDS THE SEATING AREA USING THE TURNABLE!

CONTURA 880



Accessories: Floor protection in glass or steel, outdoor air connection, turntable.

Give Contura a personal touch

You have probably realised that Contura's basic models satisfy most tastes. You may have found your own favourite. Now it is time to choose the options! Thanks to our ingenious, Smålander designs it is possible to make a completely personal Contura that meets your needs.

Contura has options for the economic: A fan that increases the efficiency. Contura has options for the orderly: You can keep a lighter, kindling and gloves behind a hatch.

Contura has options for the aesthete: How do you want to top your Contura? With soapstone, steel plate, glass or cast iron?

Here you can read more about baking ovens, the turntable & floor protection to make your Contura stove fit your homw perfectly.



Turntable



Soft-close door



Baking oven



Glass top



Keep the tea warm on a hotplate
Read about hotplates in the next section



Let the fire spin all the way around!
Read about turntables in the next section



Gather the logs in an attractive and practical basket.

Heat can be used for many things

Several of our models can be supplemented with a fan that gives an extra kick to the heat. A baking oven or soapstone top is an energy saving complement to the usual hob and oven.

DIFFERENT TYPES OF FLOOR PROTECTOR ARE AVAILABLE FOR ALL OUR STOVES

Options for comfort and function

Here is an overview of options that increase the benefits and pleasure of using your stove. The complete range of options can be found at www.contura.eu. Bear in mind that certain options cannot be combined on all models.



Glass top. Give your stove a modern look with a glass top. Suitable for Contura 500 Style.



Cast iron top. The cast iron top can act as a hotplate. Practical for heating food, in the event of a power cut for example.



Soapstone top. Each piece of soapstone is unique in its beautiful veining. The stone retains heat for a long time and also acts as a hotplate.



Warming shelf. Tea can be kept warm on a soapstone warming shelf. The warming shelf is also available for models without soapstone.



Cast iron hot plate. Perfect for when you want to use the stove to heat up food and drink.



Baking oven. The baking oven for Contura 600 gets as hot as a normal oven. A thermometer is included.



New! Can now be connected to outdoor air!

Turntable. Stepless rotation through 360 degrees. The turning angle and the speed of rotation are adjustable. Suitable for all Contura 500, 600 and 780, 880.



Soft-close door. Store logs, matches and protective gloves behind a matching, soft-closing door.



Floor protection. Our practical floor protectors are available in black or grey sheet metal or transparent, toughened glass. In addition to being attractive and protecting the floor they are easy to remove for cleaning.



Fan. Distributes the heat quickly and provides a more even temperature. It is thermostat-controlled and starts when the fire is lit and stops when the fire has gone out. Easy to install and can also be retrofitted.



Heat tank. The powerstone heat tank is concealed in the stove and retains the heat for a long time. In the models of the 500, 600, 700 and 30 ranges the heat tank cannot be combined with the fan.



Log box. A practical compartment under the stove which keeps the logs in order is standard on several models.

Overview – all options

	26K/T low	26K/T high	34T	35 low	35 high	35T low	35T high	51	52	52T	54	54T	450	450T	470	480	510 Style	520 Style
Connection outdoor air (not for turntable) Aluminium hose and condensation insulation, length 1,000 mm, transfer connector from Ø 64 mm to Ø 100 mm, hose clips	•	•	•	•	•	•	•	•	•	•	•	•	•	•	•	•	•	•
Outside air connection to turntable																	•	•
Connection kit for existing chimney¹ Connection kit straight back	•	•	•	•	•	•	•	•	•	•	•	•	•	•	•	•	•	•
Connection kit for existing chimney¹ Connection kit 45°back	•	•	•	•	•	•	•	•	•	•	•	•	•	•	•	•	•	•
Baking oven																		
Curved connection pipe 320 mm with soot door, grey or black				•	•	•	•	•	•	•	•	•					•	•
Curved connection pipe 700 mm with soot door, grey or black	•			•	•	•	•	•	•	•	•	•				•	•	•
Glass hearth plate, front model	•	•	•	•	•	•	•										•	•
Glass hearth plate, full coverage model	•	•	•	•	•	•	•						•	•	•	•	•	•
Extra handle matt chrome or black								•	•	•	•	•						
Additional side glass (for corner installation, per complete pair)													•	•	•	•		
Fan with automatic², 230 V	•	•	•²	•	•²	•	•²						•	•	•	•	•	•
Floor plate, grey or black	•	•	•	•	•	•	•	•	•	•	•	•	•	•	•	•	•	•
Floor plate, white													•	•				
Hotplate (suitable only for rear connection)								•	•	•	•	•					•	•
Lower soft closing cover, low (no additional charge)																		
Lower soft closing cover, high (standard)																		
Lower soft closing cover																	•	•
Soft closing cover in tile																		
Soft closing cover in soapstone																		
Pipe kit for high angle													•	•	•			
Tile base																		
Soapstone base																		
Base plate (can be used to cover outdoor air)																		
Cover for outside air connection								•	•	•								
Extension piece, soapstone, height 407 mm, max. 3																•		
Turntable incl. rotating collar																	•	•
Heat tank²	•	•²		•²	•²													

	520T Style	556 Style	556T Style	586 Style	590T Style	596 Style	596T Style	620T Style	630 Style	630T Style	635 Style	650 Style	655 Style	660K Style	660T Style	750 Style	750A Style	780 Style	790K Style	790T Style	810 Style	820T Style	850 Style	860T Style	880 Style
Connection outdoor air (not for turntable) Aluminium hose and condensation insulation, length 1,000 mm, transfer connector from Ø 64 mm to Ø 100 mm, hose clips	•	•	•	•	•	•	•	•	•	•	•	•	•	•	•	•	•	•	•	•	•	•	•	•	•
Outside air connection to turntable	•	•	•	•	•	•	•	•	•	•	•	•	•	•	•										•
Connection kit for existing chimney¹ Connection kit straight back	•	•	•	•	•	•	•	•	•	•	•	•	•	•	•	•	•	•	•	•	•	•	•	•	•
Connection kit for existing chimney¹ Connection kit 45°back	•	•	•	•	•	•	•	•	•	•	•	•	•	•	•	•	•	•	•	•	•	•	•	•	•
Baking oven								•					•	•	•	•									
Curved connection pipe 320 mm with soot door, grey or black	•	•	•	•	•	•	•	•					•	•	•	•	•	•	•	•	•	•	•	•	•
Curved connection pipe 700 mm with soot door, grey or black	•	•	•	•	•	•	•	•	•	•	•	•	•	•	•	•	•	•	•	•	•	•	•	•	•
Glass hearth plate, front model	•	•	•	•	•	•	•																		
Glass hearth plate, full coverage model	•	•	•	•	•	•	•						•	•	•	•	•	•	•	•	•	•	•	•	•
Extra handle matt chrome or black																									
Additional side glass (for corner installation, per complete pair)																									
Fan with automatic², 230 V	•	•	•	•	•	•	•						•	•	•	•	•	•	•	•	•	•	•	•	•
Floor plate, grey or black	•	•	•	•	•	•	•	•	•	•	•	•	•	•	•	•	•	•	•	•	•	•	•	•	•
Floor plate, white																									
Hotplate (suitable only for rear connection)	•	•	•	•	•	•	•	•					•	•	•	•									
Lower soft closing cover, low (no additional charge)																									
Lower soft closing cover, high (standard)																									
Lower soft closing cover	•	•	•																						
Soft closing cover in tile																									
Soft closing cover in soapstone																									
Pipe kit for high angle																									
Tile base																									
Soapstone base																									
Base plate (can be used to cover outdoor air)																									
Cover for outside air connection																									
Extension piece, soapstone, height 407 mm, max. 3																									
Turntable incl. rotating collar	•	•	•	•	•	•	•	•	•	•	•	•	•	•	•	•	•	•	•	•	•	•	•	•	•
Heat tank²																									

Facts about all stoves

Facts about all the stoves are gathered here, model by model so that you can plan your choice. Using the dimensions diagrams you can measure exactly how the fireplace can be positioned.



Safety tested

CE labelling is an important part of EU product legislation and includes construction products, machinery and toys. The CE label certifies that the product meets the most important characteristic, namely, safety. All products made by Contura and Premodul are CE labelled.

5-year warranty

When you buy a complete stove from Contura you always get a five-year factory warranty. Good service and parts availability are additional assurances during the service life of the stove.



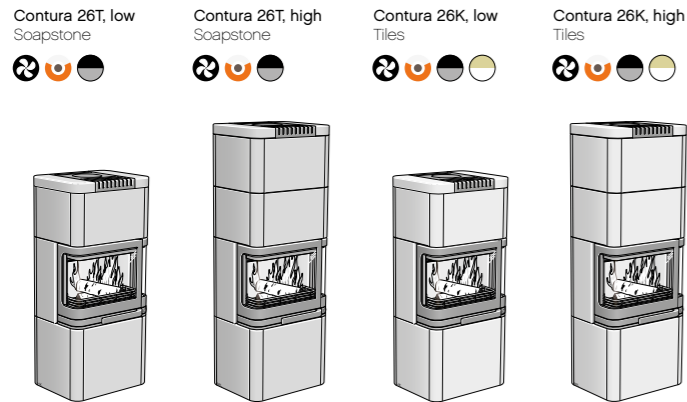
Overview – all models

All Contura's stoves can be compared here. For detailed information about flame visibility, measurements, output and options, see the relevant section.

-  Fan
-  Flame visibility
-  The stove is available in black paint
-  The stove is available in grey paint
-  The stove is available in grey and black paint
-  The stove is available in white, grey or black
-  The tiles are available in sand beige or white

26T

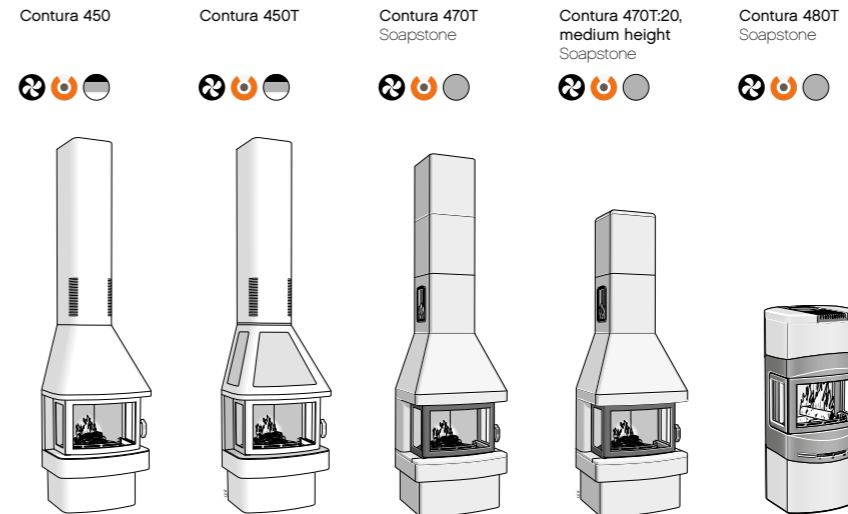
26K



450

470T

480T



34T

35

35T

35

35/35T low



510 Style, cast iron door

510G Style, glass door



51L

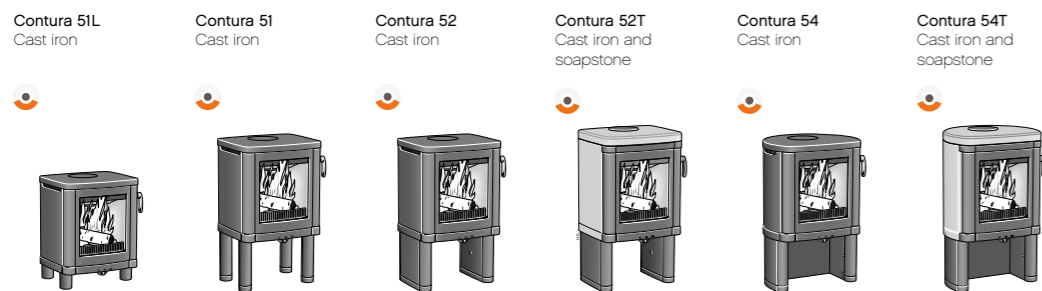
51

52

52T

54

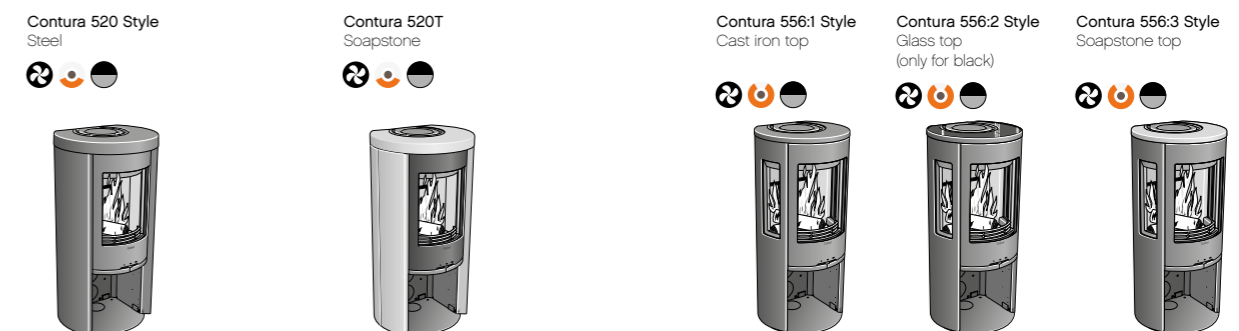
54T




520 Style

520T Style

556 Style cast iron door



 All Contura stoves are approved according to the Swan's tough standards. [Read more on page 18.](#)

556G Style glass door

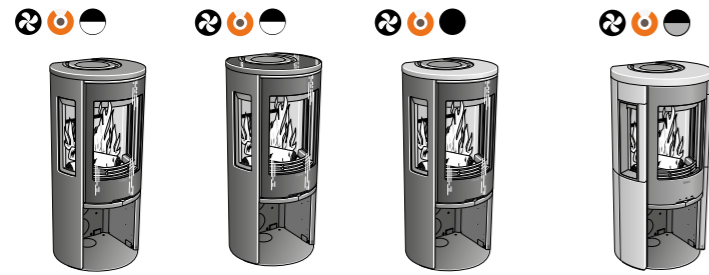
556T Style

Contura 556:1G Style
Cast iron top

Contura 556:2G Style
Glass top

Contura 556:3G Style
Soapstone top

Contura 556T Style
Soapstone



586 Style cast iron door

586G Style glass door

Contura 586:1 Style
Cast iron top

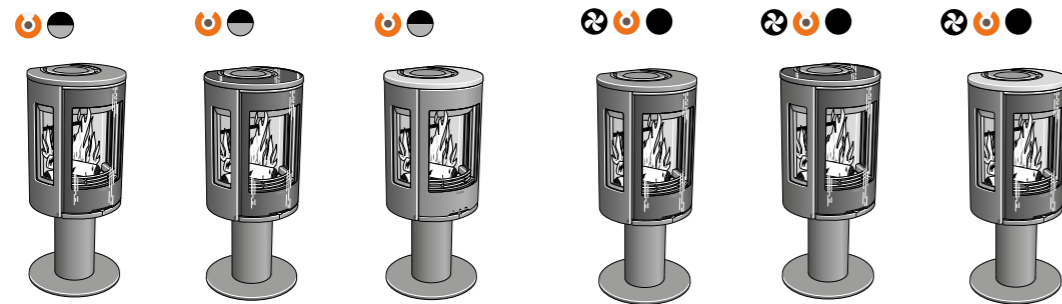
Contura 586:2 Style
Glass top
(only for black)

Contura 586:3 Style
Soapstone top

Contura 586G:1 Style
Cast iron top

Contura 586G:2 Style
Glass top

Contura 586G:3 Style
Soapstone top



590T Style

596 Style

596T Style

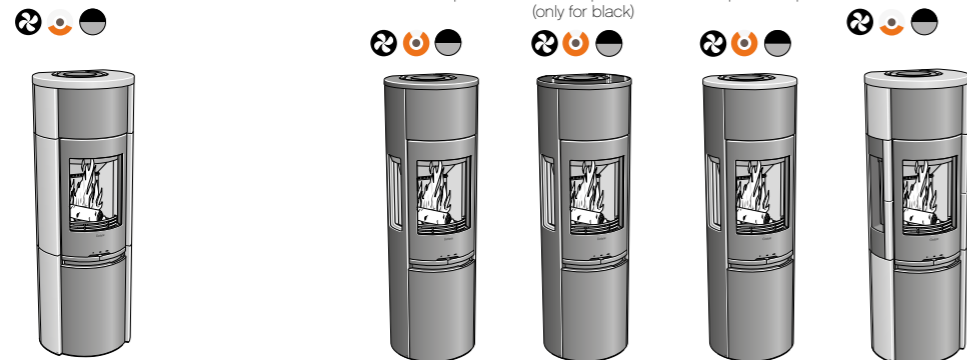
Contura 590T Style
Soapstone

Contura 596:1
Cast iron top

Contura 596:2
Glass top
(only for black)

Contura 596:3
Soapstone top

Contura 590T Style
Soapstone



620T

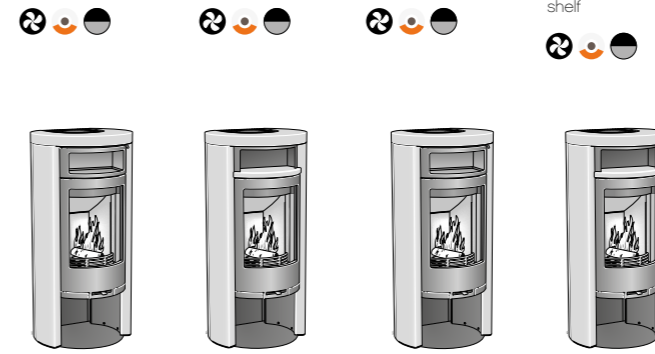
620S

Contura 620T:3
With baking oven

Contura 620T:4
With soapstone
warming shelf

Contura 620S:3
Sandstone with
baking oven

Contura 620S:4
Sandstone with
sandstone warming
shelf



630

630T

635

Contura 630:1
Cast iron top

Contura 630:2
Steel top

Contura 630:3
Soapstone top

Contura 630T
Soapstone















Contura 635:1
Cast iron top

Contura 635:2
Steel top

Contura 635:3
Soapstone top







650

<p>Contura 650:1 With steel disc top and steel warming shelf</p>  	<p>Contura 650:2 With steel disc top and baking oven</p>  	<p>Contura 650:3 With steel disc top and soapstone warming shelf</p>  	<p>Contura 650:4 With soapstone top and steel warming shelf</p>  	<p>Contura 650:5 With soapstone top and baking oven</p>  	<p>Contura 650:6 With soapstone top and soapstone warming shelf</p>  	<p>Contura 650:7 With cast iron top and steel warming shelf</p>  
---	---	---	--	--	--	--








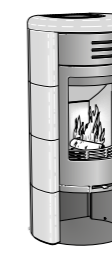




655

<p>Contura 655:8 With cast iron top and baking oven</p>  	<p>Contura 655:9 With cast iron top and soapstone warming shelf</p>  
--	--















660K

<p>Contura 660:8 With cast iron top and baking oven</p>  	<p>Contura 660:9 With cast iron top and soapstone warming shelf</p>  
---	---











660T

<p>Contura 660K:1 With convection front</p>  	<p>Contura 660K:3 With baking oven</p>  	<p>Contura 660K:5 With tiled warming shelf</p>  	<p>Contura 660T:1 With convection front</p>  	<p>Contura 660T:3 With baking oven</p>  	<p>Contura 660T:5 With soapstone warming shelf</p>  
---	--	--	---	--	--

655

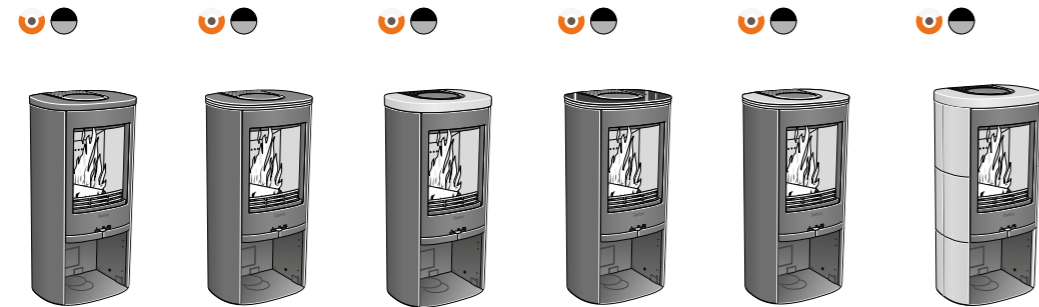
<p>Contura 655:1 With steel disc top and steel warming shelf</p>  	<p>Contura 655:2 With steel disc top and baking oven</p>  	<p>Contura 655:3 With steel disc top and soapstone warming shelf</p>  	<p>Contura 655:4 With soapstone top and steel warming shelf</p>  	<p>Contura 655:5 With soapstone top and baking oven</p>  	<p>Contura 655:6 With soapstone top and soapstone warming shelf</p>  	<p>Contura 655:7 With cast iron top and steel warming shelf</p>  
---	---	---	--	--	--	--

750 750A 780 790K 790T

<p>Contura 750</p>  	<p>Contura 750A</p>  	<p>Contura 780</p>  	<p>Contura 790K White or Black tiles</p>  	<p>Contura 790T Soapstone</p>  
---	--	---	---	--

810

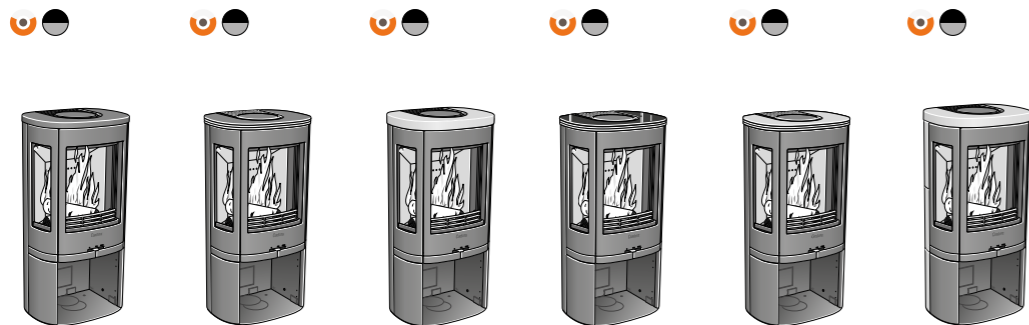
- Contura 810:1 Cast-iron top
- Contura 810:2 Steel top
- Contura 810:3 Soapstone top
- Contura 810:4 Glass top (only available for black stoves)
- Contura 810:5 Stainless steel top
- Contura 820T Soapstone top and sides



820T

850

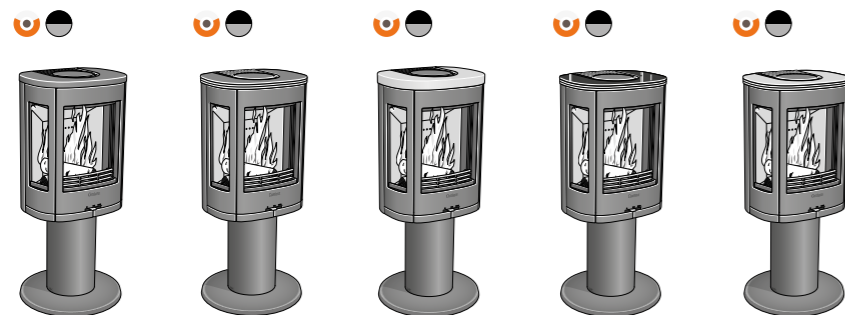
- Contura 850:1 Cast-iron top
- Contura 850:2 Steel top
- Contura 850:3 Soapstone top
- Contura 850:4 Glass top (only available for black stoves)
- Contura 850:5 Stainless steel top
- Contura 860T Soapstone top and sides



860T

880

- Contura 880:1 Cast-iron top
- Contura 880:2 Steel top
- Contura 880:3 Soapstone top
- Contura 880:4 Glass top (only available for black stoves)
- Contura 880:5 Stainless steel top

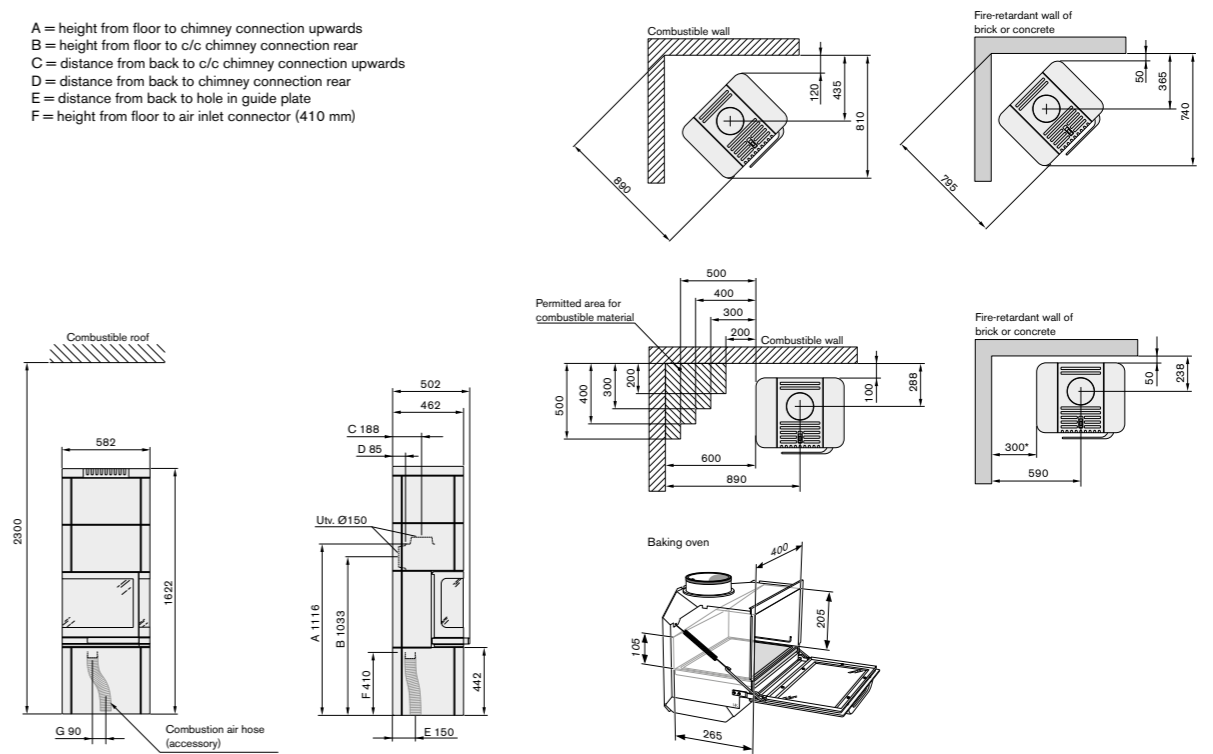


Dimension diagrams

Detailed dimensions diagrams for all Contura stoves are here so that you can plan positioning and installation.

26K high, 26T high

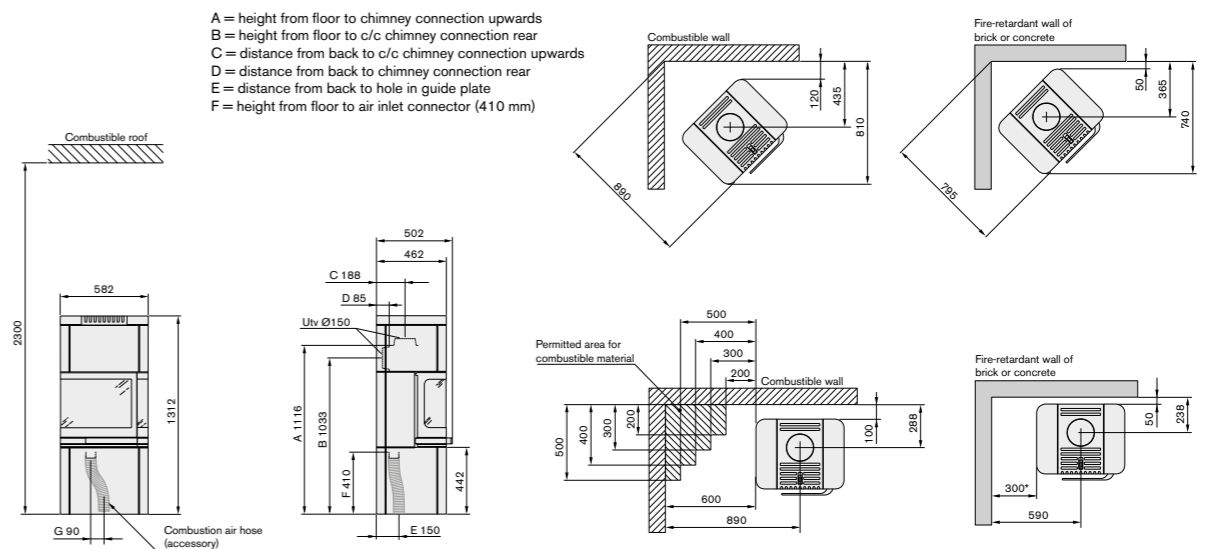
- A = height from floor to chimney connection upwards
- B = height from floor to c/c chimney connection rear
- C = distance from back to c/c chimney connection upwards
- D = distance from back to chimney connection rear
- E = distance from back to hole in guide plate
- F = height from floor to air inlet connector (410 mm)



* Used with baking oven option ** To prevent discolouration of painted non-flammable walls we recommend that the same side distance as to combustible walls is used. When using the 20 series prefabricated hearth plates, observe the different dimensions of combustion air holes in the hearth plate and stove.

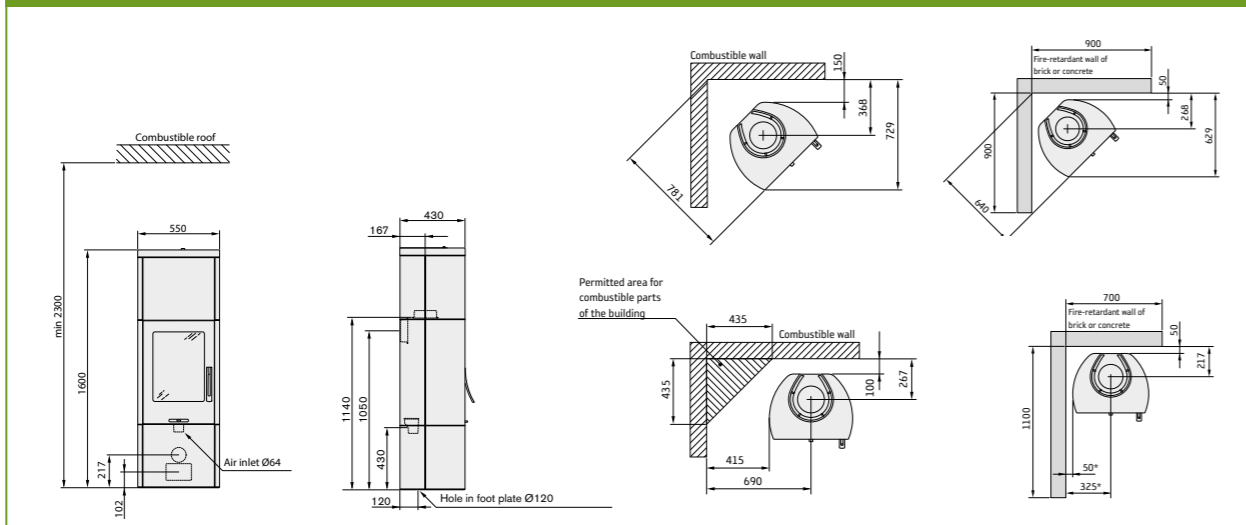
26K low, 26T low

- A = height from floor to chimney connection upwards
- B = height from floor to c/c chimney connection rear
- C = distance from back to c/c chimney connection upwards
- D = distance from back to chimney connection rear
- E = distance from back to hole in guide plate
- F = height from floor to air inlet connector (410 mm)



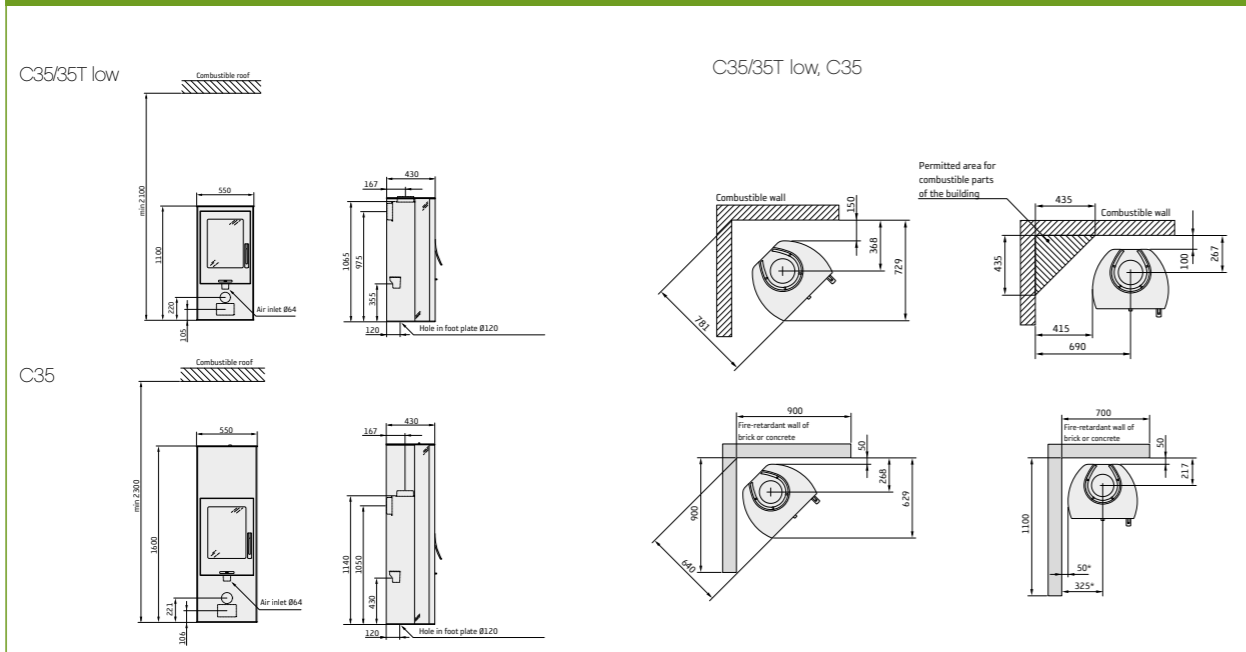
** To prevent discolouration of painted non-flammable walls we recommend that the same side distance as to combustible walls is used. When using the 20 series prefabricated hearth plates, observe the different dimensions of combustion air holes in the hearth plate and stove.

34T



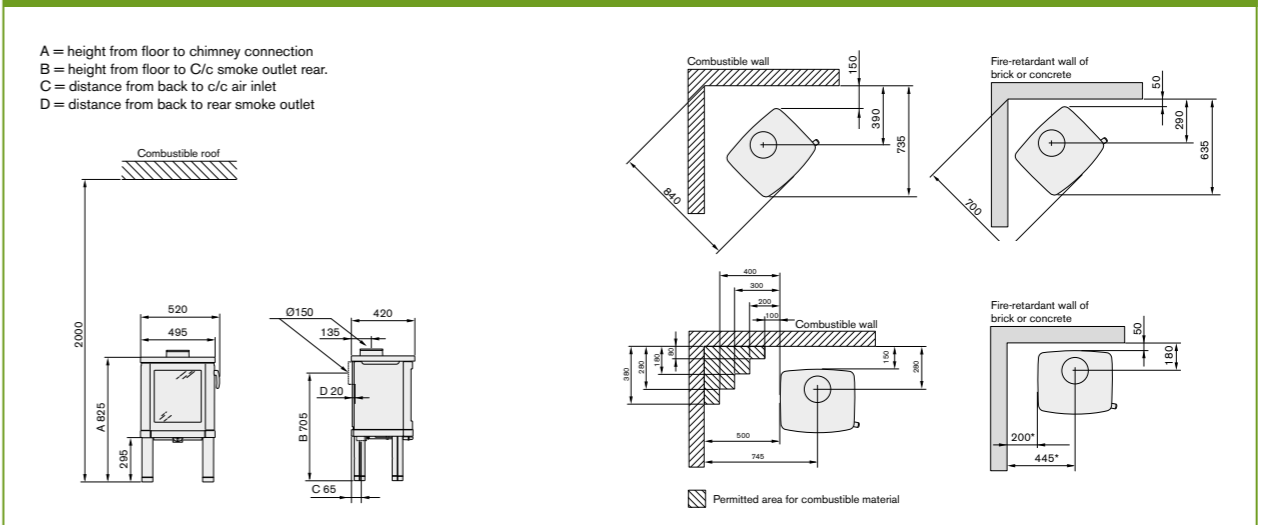
*To prevent discolouration of painted fire walls, we recommend the same side distance as to combustible walls.

35/35T low, 35



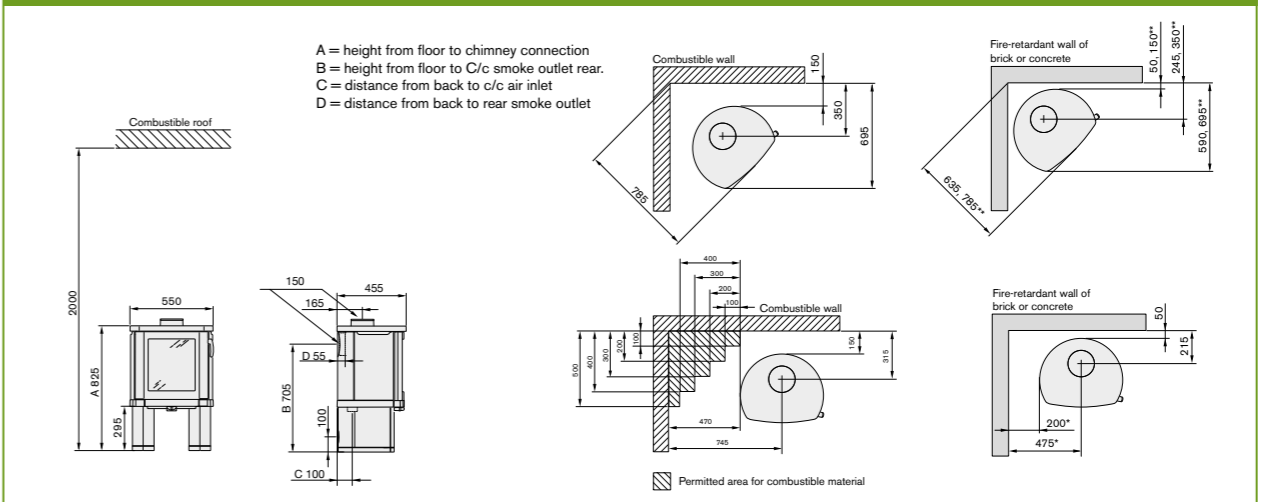
*To prevent discolouration of painted fire walls, we recommend the same side distance as to combustible walls.

51, 52, 52T



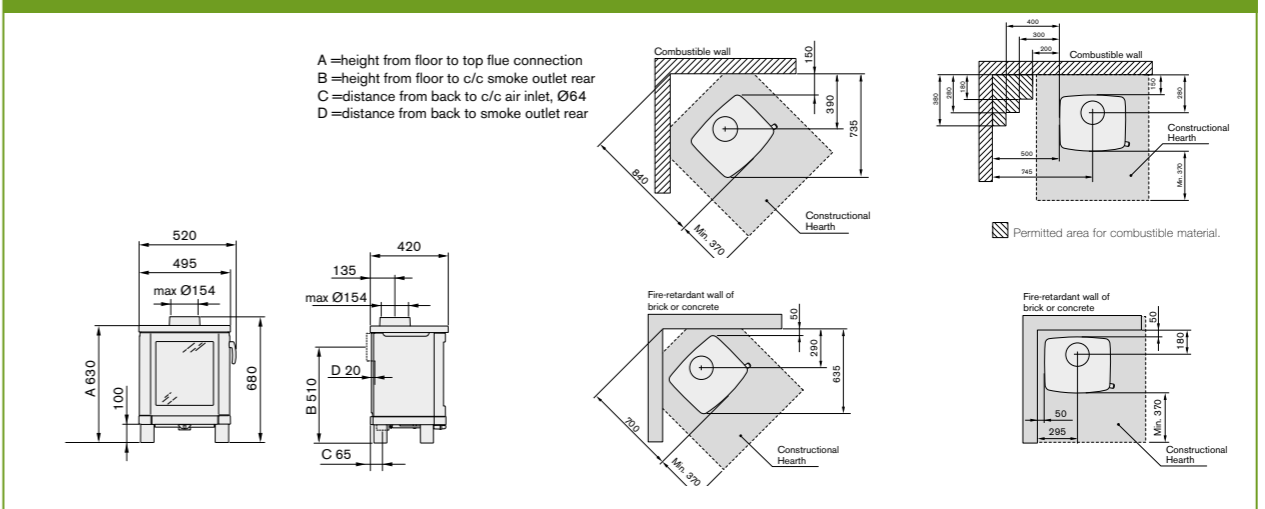
*To prevent discolouration of painted fire walls, we recommend the same side distance as to combustible walls.

54, 54T

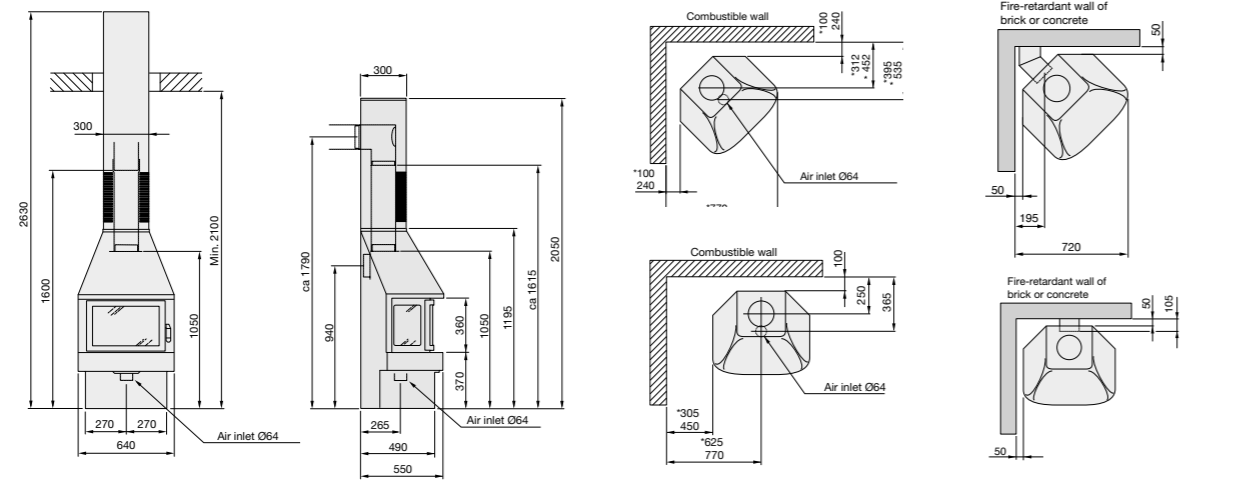


*To prevent discolouration of painted fire walls, we recommend the same side distance as to combustible walls. ** Minimum installation distance when HandØ1 50 floor plate is used, applied both when the combustion air is retrieved from the house and when connected to outdoor air through the floor. If outdoor air is NOT connected through the floor, the stove may be positioned 50 mm from fire walls if Nibe's teardrop shaped floor plate is used.

51L

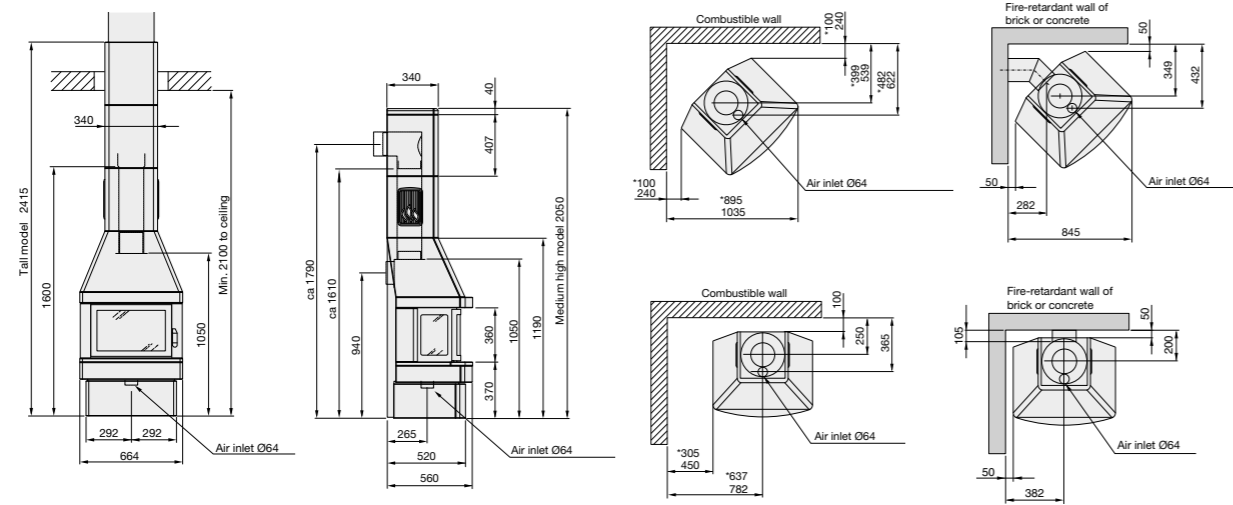


450, 450T



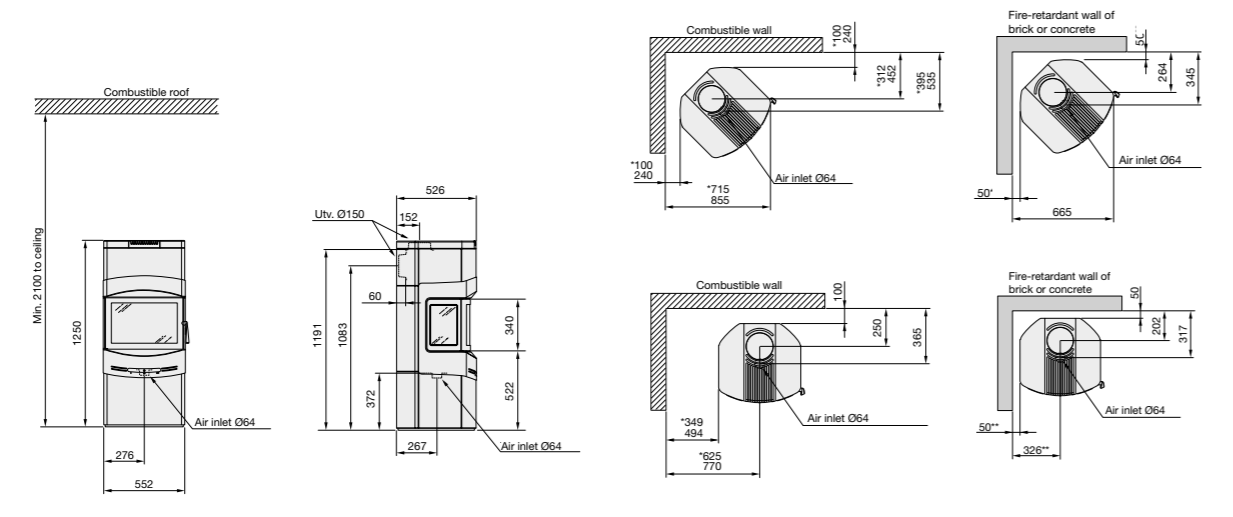
* Only with extra side glass

470T



* Only with extra side glass

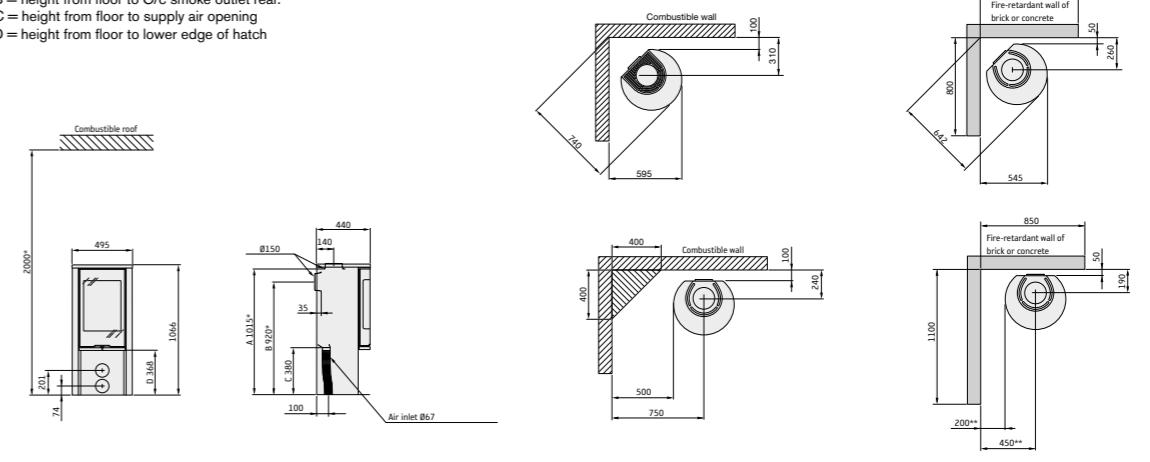
480T



* Only with extra side glass

510/510G Style

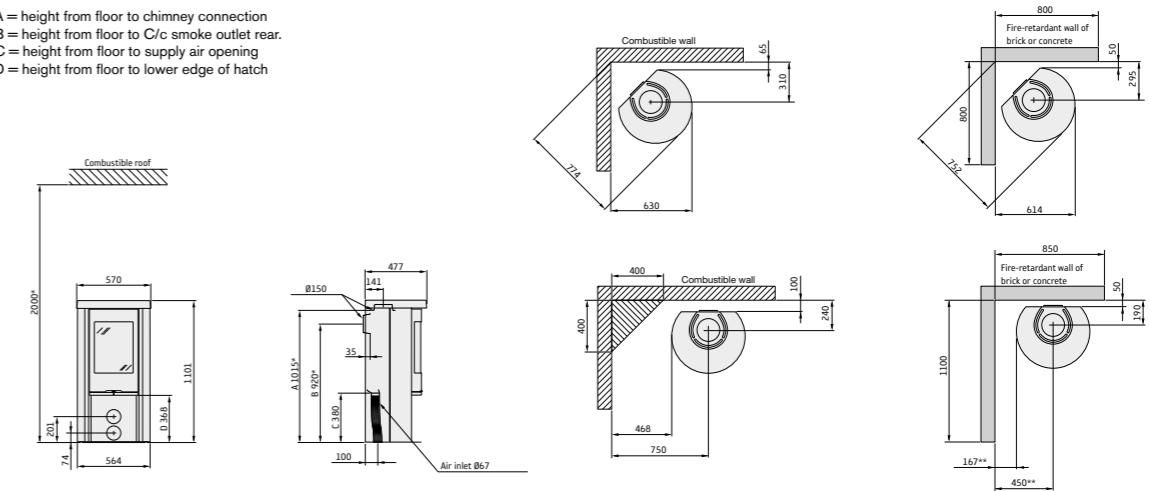
A = height from floor to chimney connection
 B = height from floor to C/c smoke outlet rear.
 C = height from floor to supply air opening
 D = height from floor to lower edge of hatch



* To prevent discolouration of painted non-flammable walls we recommend that the same side distance as to combustible walls is used.
 Note: If the stove is positioned on a turntable the stated installation distances do not apply. Note: The glass hearth plate increases the distance above the floor by approximately 10 mm.

520 Style

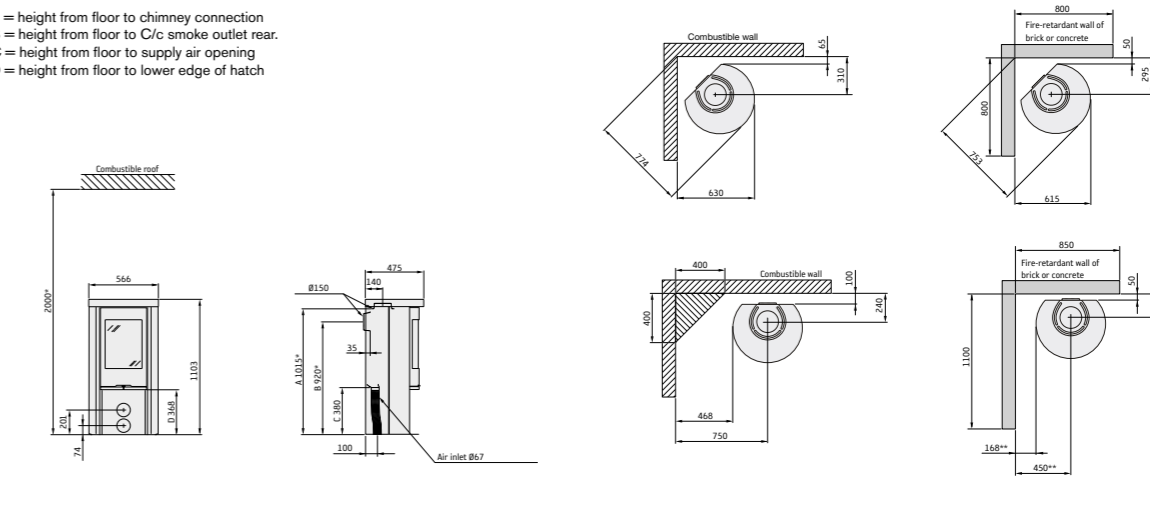
A = height from floor to chimney connection
 B = height from floor to C/c smoke outlet rear.
 C = height from floor to supply air opening
 D = height from floor to lower edge of hatch



* To prevent discolouration of painted non-flammable walls we recommend that the same side distance as to combustible walls is used.
 Note: If the stove is positioned on a turntable the stated installation distances do not apply. Note: The glass hearth plate increases the distance above the floor by approximately 10 mm.

520T Style

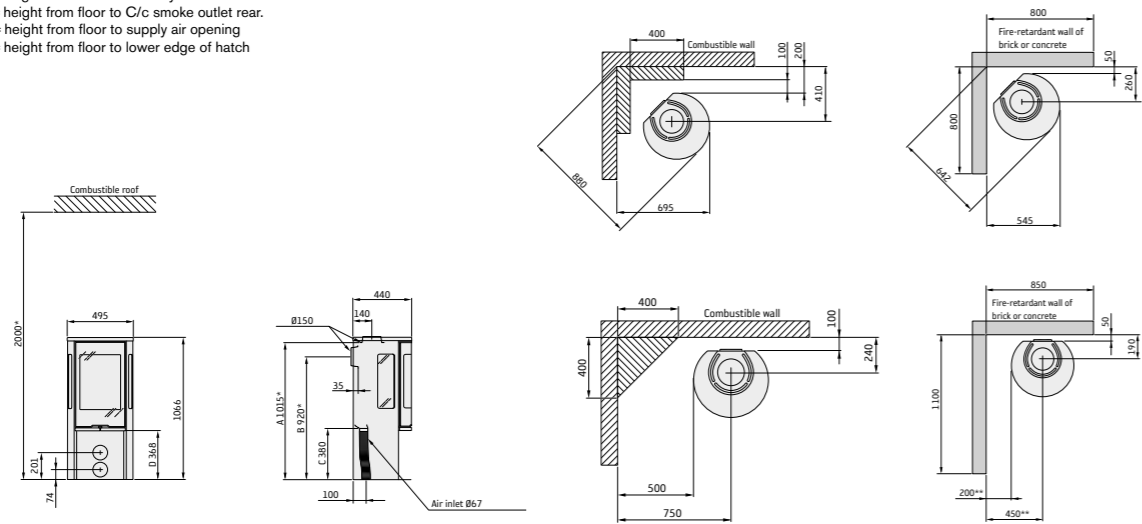
A = height from floor to chimney connection
 B = height from floor to C/c smoke outlet rear.
 C = height from floor to supply air opening
 D = height from floor to lower edge of hatch



* To prevent discolouration of painted non-flammable walls we recommend that the same side distance as to combustible walls is used.
 Note: If the stove is positioned on a turntable the stated installation distances do not apply. Note: The glass hearth plate increases the distance above the floor by approximately 10 mm.

556/556G Style

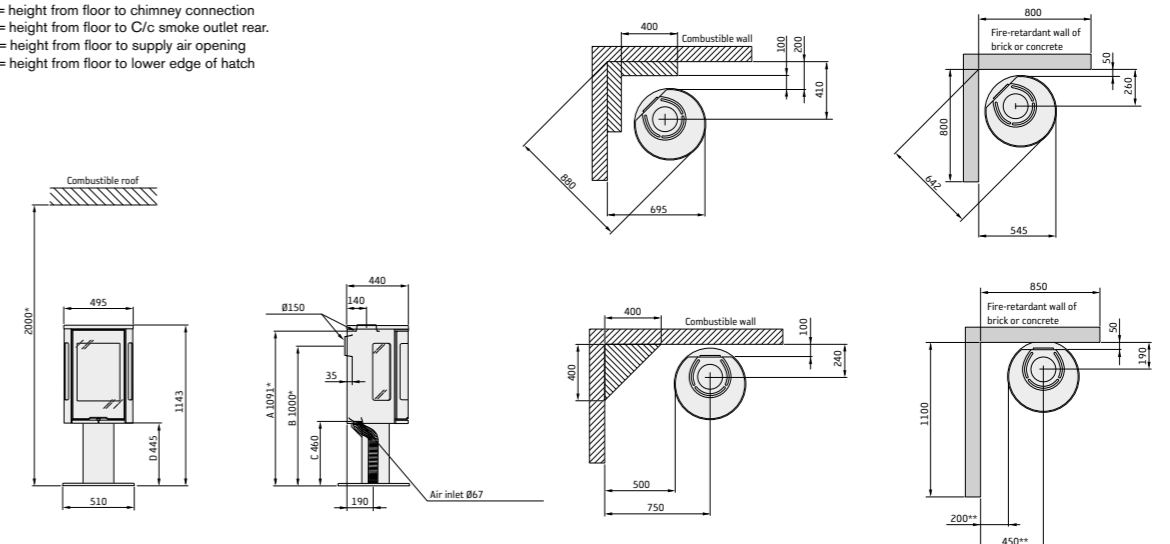
A = height from floor to chimney connection
 B = height from floor to C/c smoke outlet rear.
 C = height from floor to supply air opening
 D = height from floor to lower edge of hatch



* To prevent discolouration of painted non-flammable walls we recommend that the same side distance as to combustable walls is used.
 Note: If the stove is positioned on a turntable the stated installation distances do not apply. Note: The glass hearth plate increases the distance above the floor by approximately 10 mm.

586/586G Style

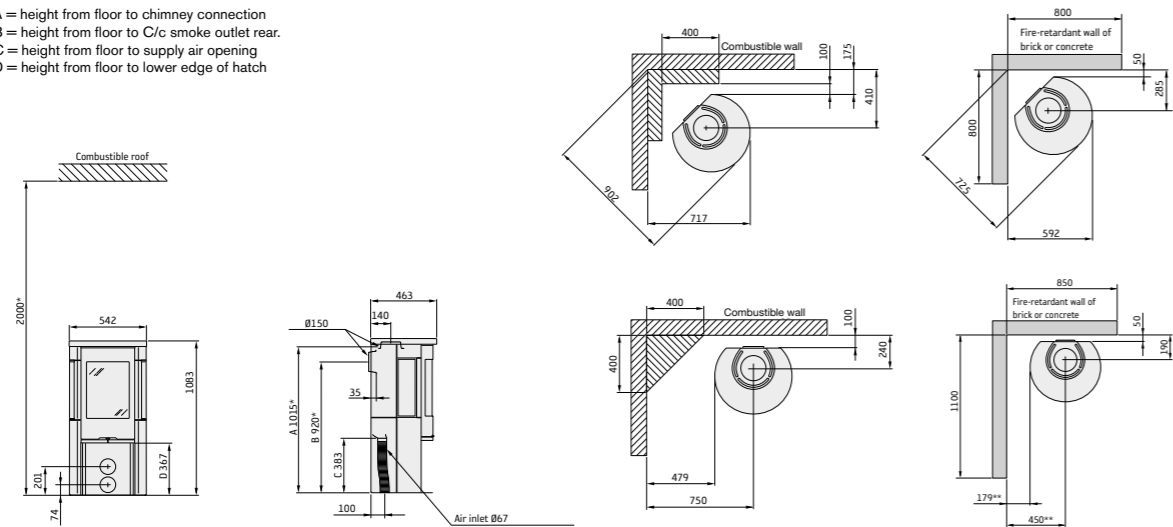
A = height from floor to chimney connection
 B = height from floor to C/c smoke outlet rear.
 C = height from floor to supply air opening
 D = height from floor to lower edge of hatch



* To prevent discolouration of painted non-flammable walls we recommend that the same side distance as to combustable walls is used.
 Note: If the stove is positioned on a turntable the stated installation distances do not apply. Note: The glass hearth plate increases the distance above the floor by approximately 10 mm.

556T Style

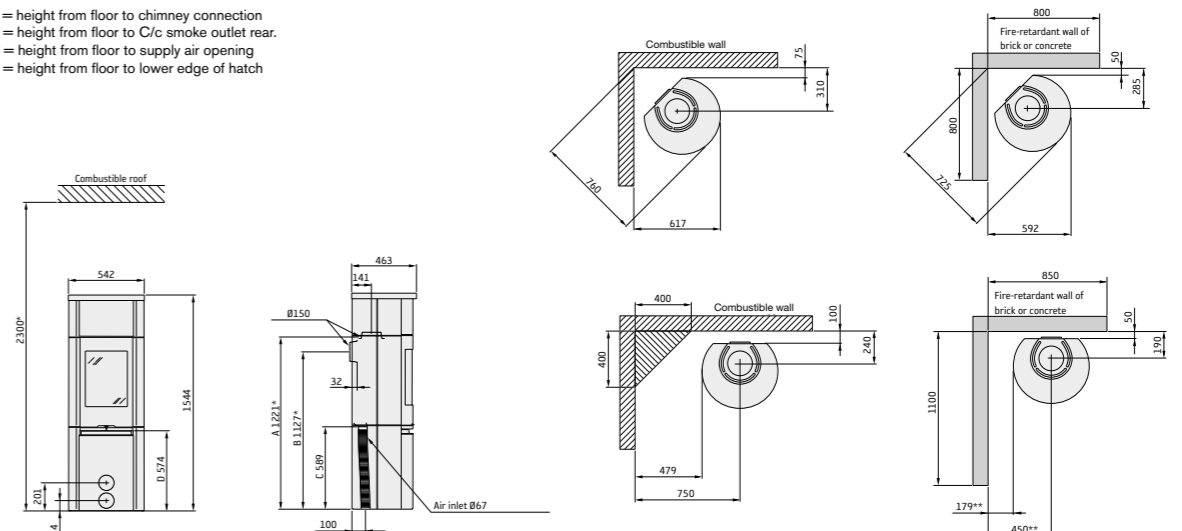
A = height from floor to chimney connection
 B = height from floor to C/c smoke outlet rear.
 C = height from floor to supply air opening
 D = height from floor to lower edge of hatch



* To prevent discolouration of painted non-flammable walls we recommend that the same side distance as to combustable walls is used.
 Note: If the stove is positioned on a turntable the stated installation distances do not apply. Note: The glass hearth plate increases the distance above the floor by approximately 10 mm.

590T Style

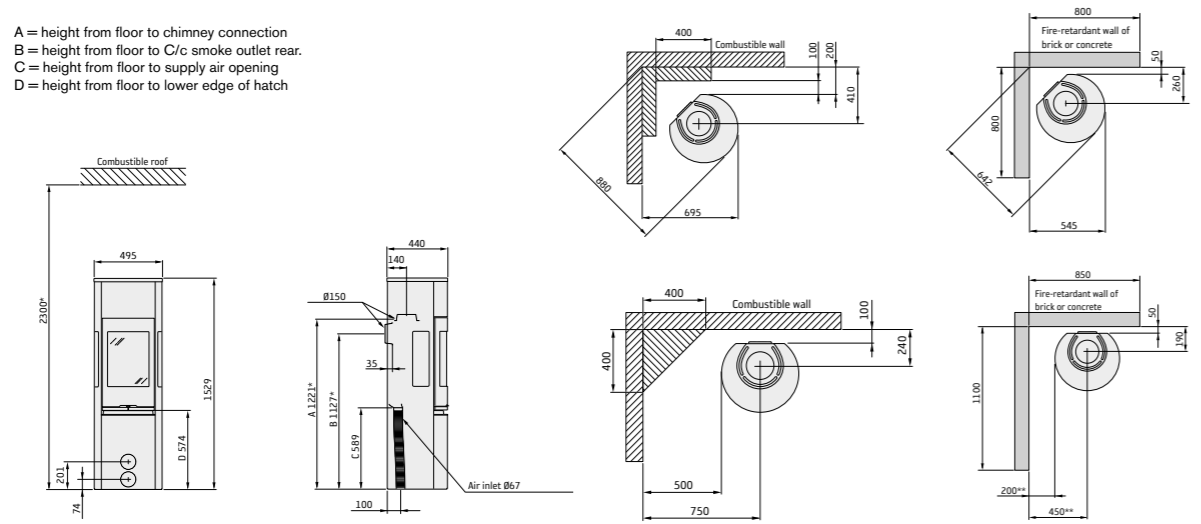
A = height from floor to chimney connection
 B = height from floor to C/c smoke outlet rear.
 C = height from floor to supply air opening
 D = height from floor to lower edge of hatch



* To prevent discolouration of painted non-flammable walls we recommend that the same side distance as to combustable walls is used.
 Note: If the stove is positioned on a turntable the stated installation distances do not apply. Note: The glass hearth plate increases the distance above the floor by approximately 10 mm.

596 Style

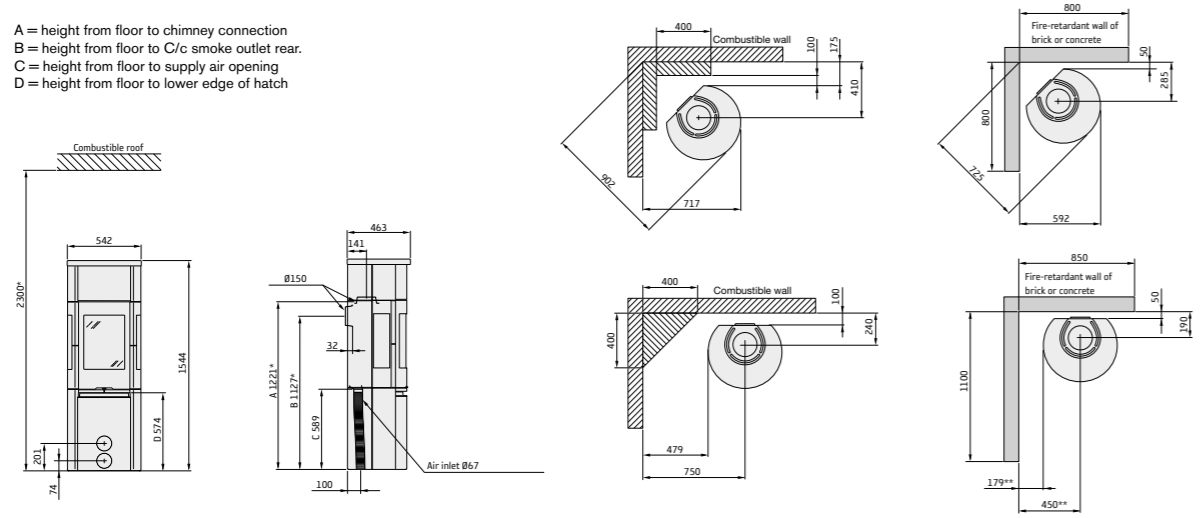
A = height from floor to chimney connection
 B = height from floor to C/c smoke outlet rear.
 C = height from floor to supply air opening
 D = height from floor to lower edge of hatch



* To prevent discolouration of painted non-flammable walls we recommend that the same side distance as to combustible walls is used.
 Note: If the stove is positioned on a turntable the stated installation distances do not apply. Note: The glass hearth plate increases the distance above the floor by approximately 10 mm.

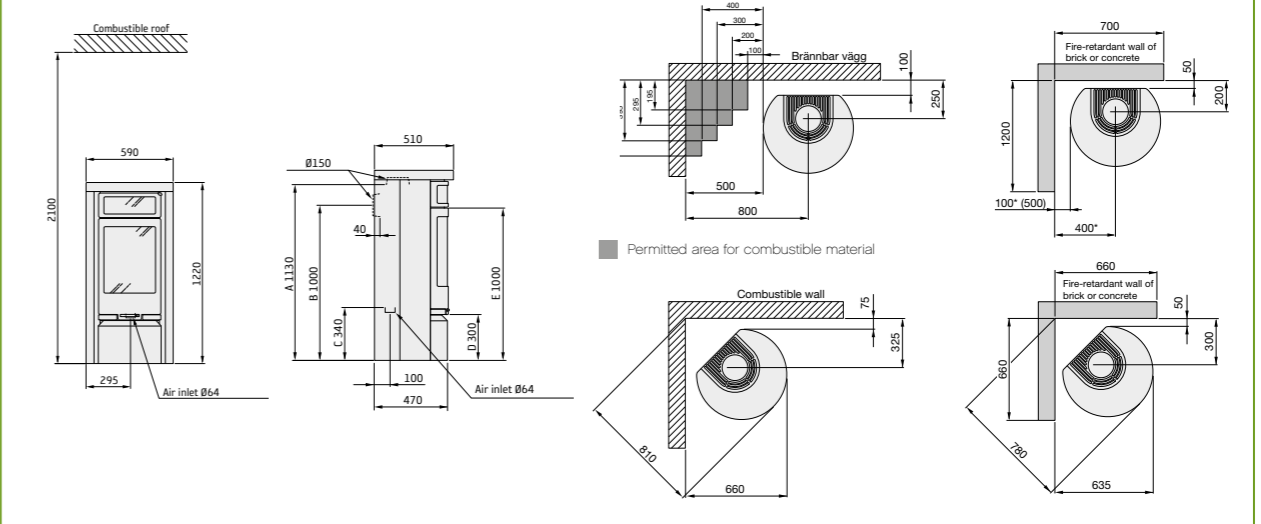
596T Style

A = height from floor to chimney connection
 B = height from floor to C/c smoke outlet rear.
 C = height from floor to supply air opening
 D = height from floor to lower edge of hatch



* To prevent discolouration of painted non-flammable walls we recommend that the same side distance as to combustible walls is used.
 Note: If the stove is positioned on a turntable the stated installation distances do not apply. Note: The glass hearth plate increases the distance above the floor by approximately 10 mm.

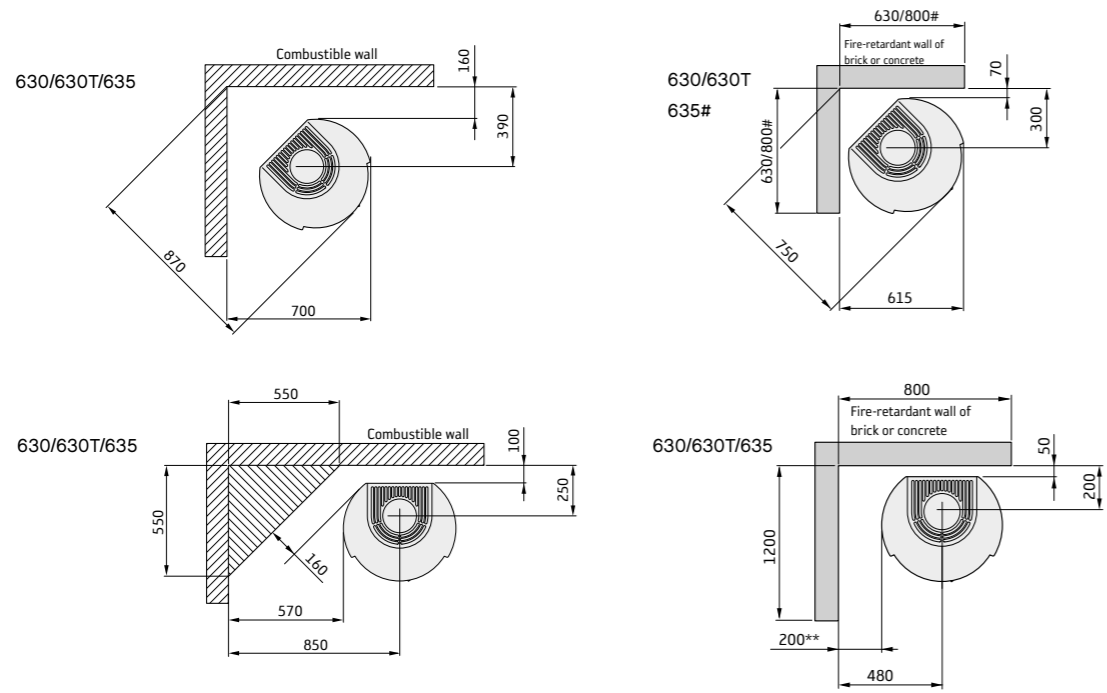
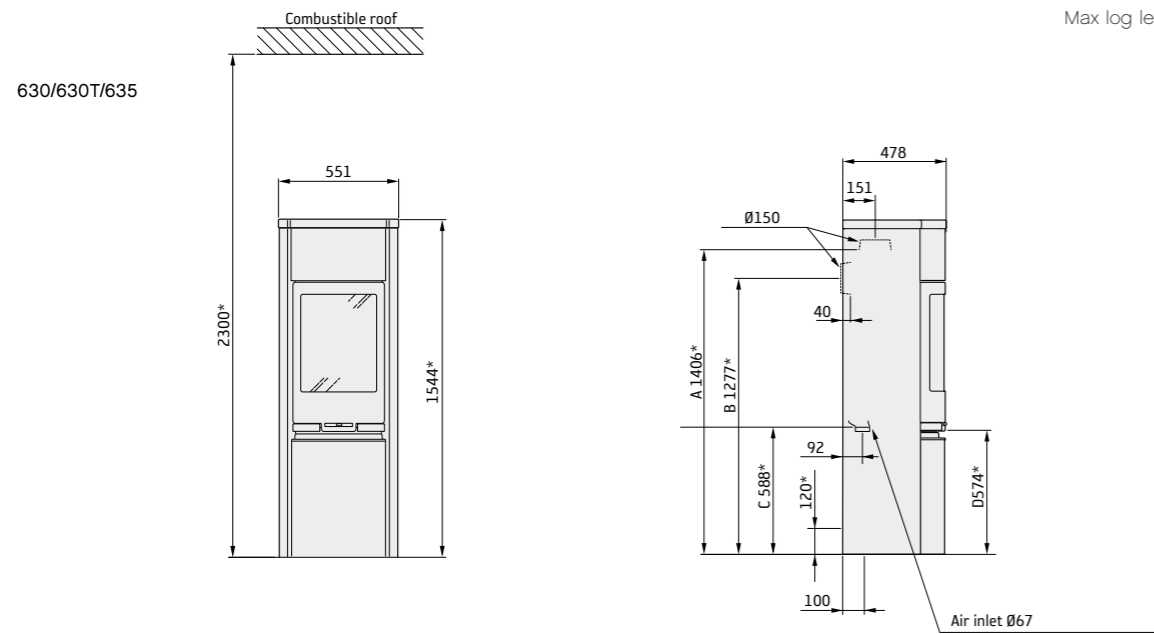
620S/T



* If the stove is placed on a hearth plate, for example, glass (optional) affected the height from the floor with a measure similar fireplace plane's thickness.
 Also applies to detached hearth glass (optional).

630, 630T & 635

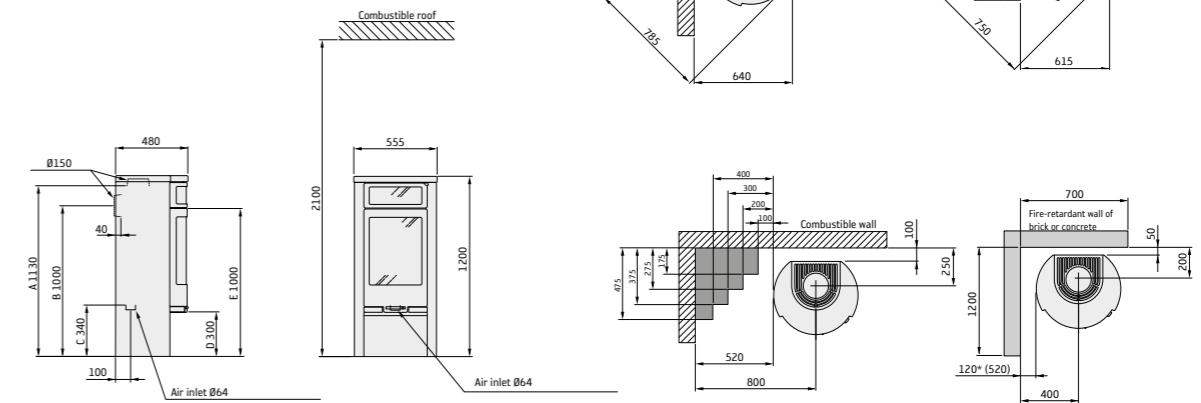
Max log length: 33 cm



* If the stove is positioned on a turntable the stated installation distances do not apply. Note: The glass hearth plate increases the distance above the floor by approximately 10 mm.
 ** To prevent discolouration of painted non-flammable walls we recommend that the same side distance as to combustable walls is used.

650

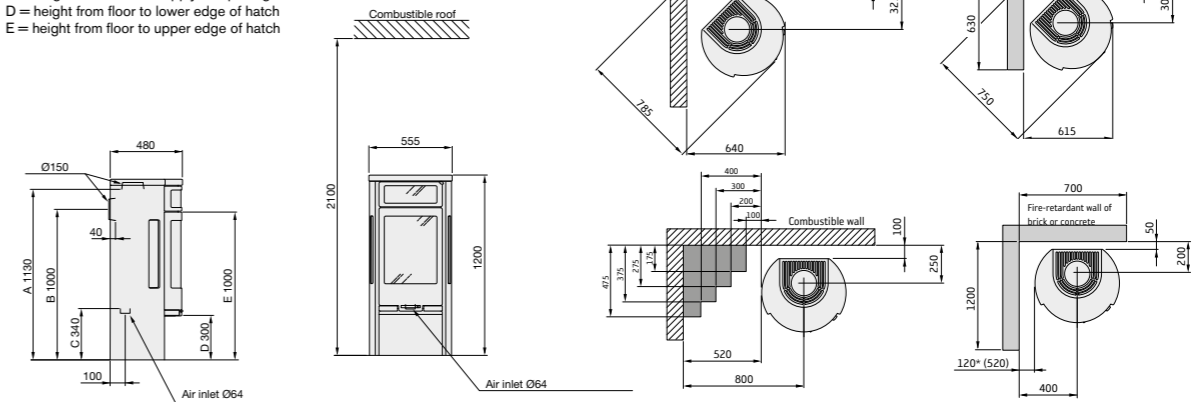
A = height from floor to chimney connection
 B = height from floor to C/c smoke outlet rear.
 C = height from floor to supply air opening
 D = height from floor to lower edge of hatch
 E = height from floor to upper edge of hatch



* To prevent discolouration of painted non-flammable walls we recommend that the same side distance as to combustable walls is used.
 Note: If the stove is positioned on a turntable the stated installation distances do not apply. Note: The glass hearth plate increases the distance above the floor by approximately 10 mm.

655

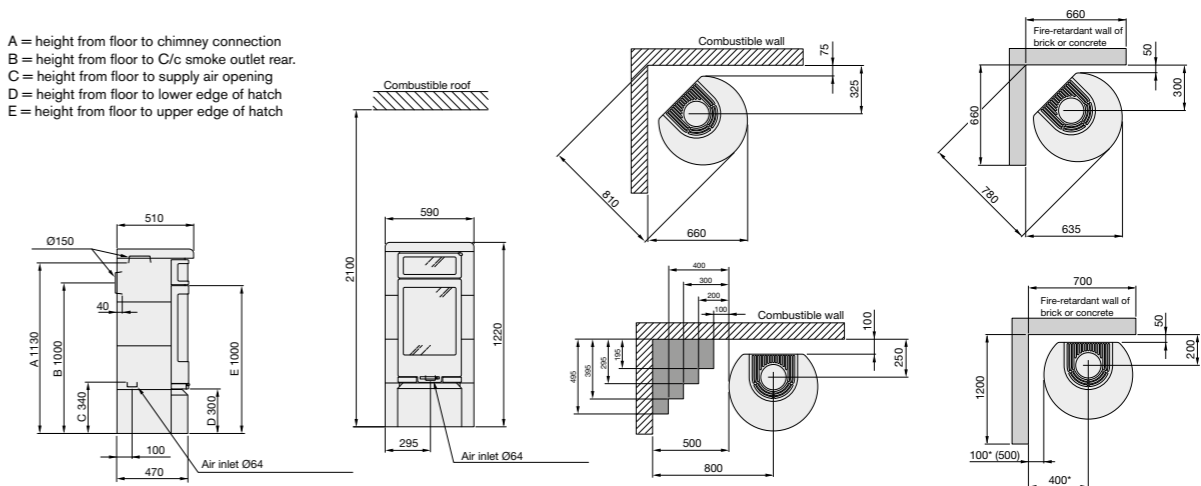
A = height from floor to chimney connection
 B = height from floor to C/c smoke outlet rear.
 C = height from floor to supply air opening
 D = height from floor to lower edge of hatch
 E = height from floor to upper edge of hatch



* To prevent discolouration of painted non-flammable walls we recommend that the same side distance as to combustable walls is used.
 Note: If the stove is positioned on a turntable the stated installation distances do not apply. Note: The glass hearth plate increases the distance above the floor by approximately 10 mm.

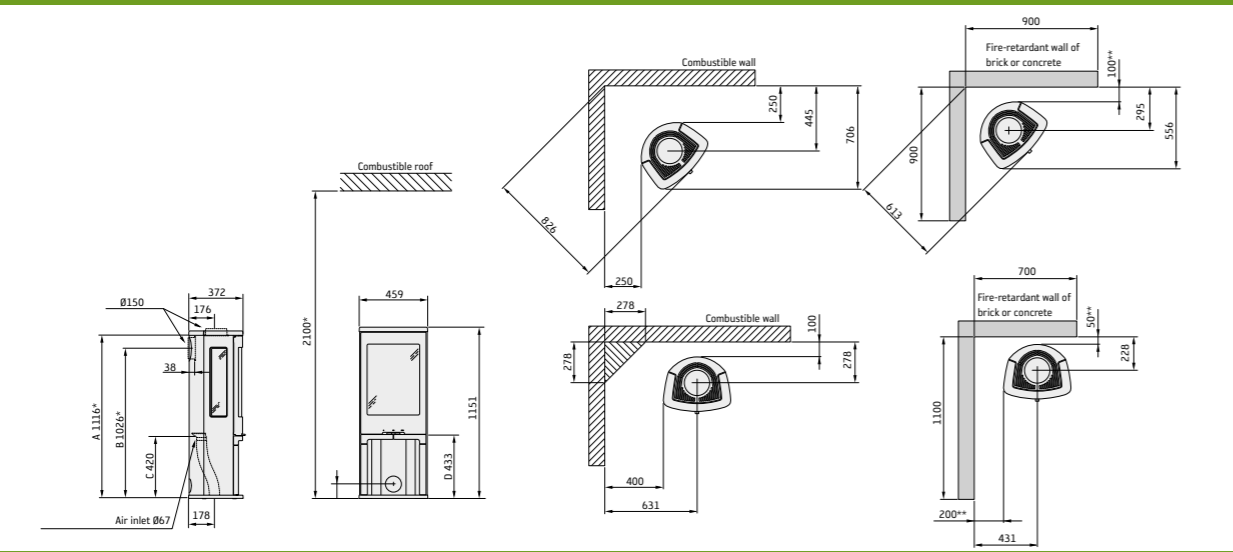
660K, 660T

A = height from floor to chimney connection
 B = height from floor to C/c smoke outlet rear.
 C = height from floor to supply air opening
 D = height from floor to lower edge of hatch
 E = height from floor to upper edge of hatch



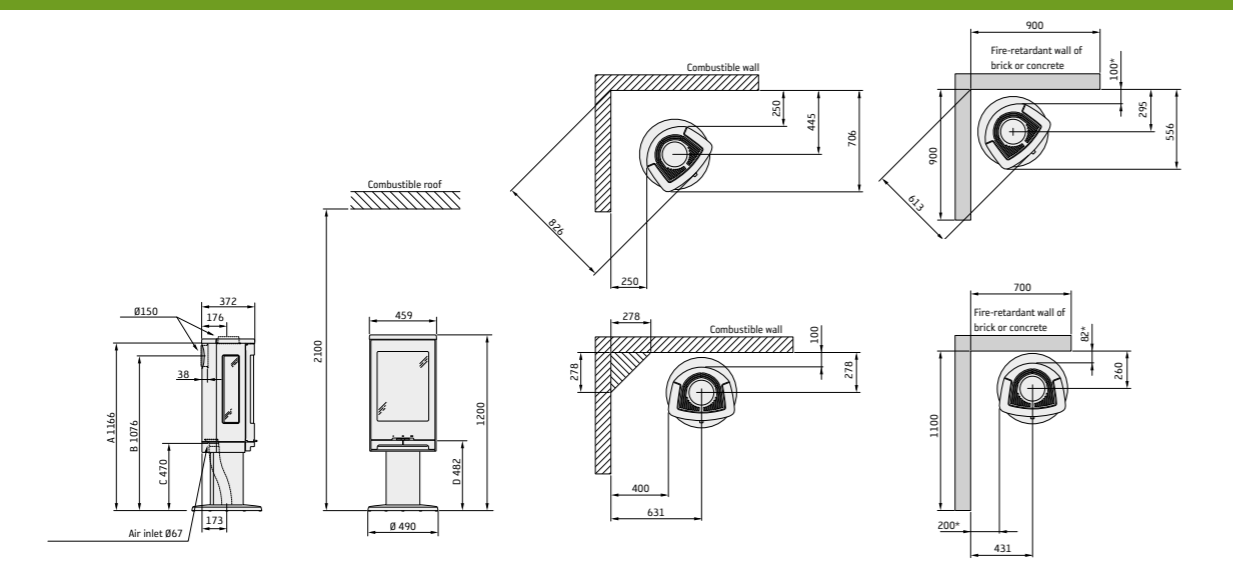
* To prevent discolouration of painted non-flammable walls we recommend that the same side distance as to combustable walls is used.
 Note: If the stove is positioned on a turntable the stated installation distances do not apply. Note: The glass hearth plate increases the distance above the floor by approximately 10 mm.

750, 750A



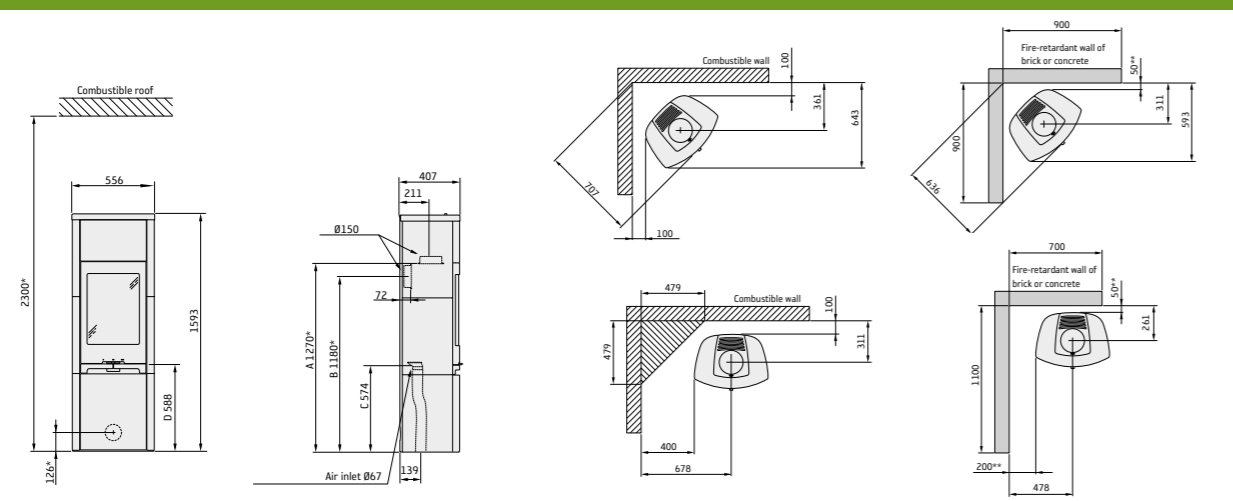
* If the stove is positioned on a turntable the stated installation distances do not apply. Note: The glass hearth plate increases the distance above the floor by approximately 10 mm.
 ** To prevent discolouration of painted non-flammable walls we recommend that the same side distance as to combustable walls is used.

780



* To prevent discolouration of painted non-flammable walls we recommend that the same side distance as to combustable walls is used.
 Note: If the stove is positioned on a turntable the stated installation distances do not apply. Note: The glass hearth plate increases the distance above the floor by approximately 10 mm.

790K/T

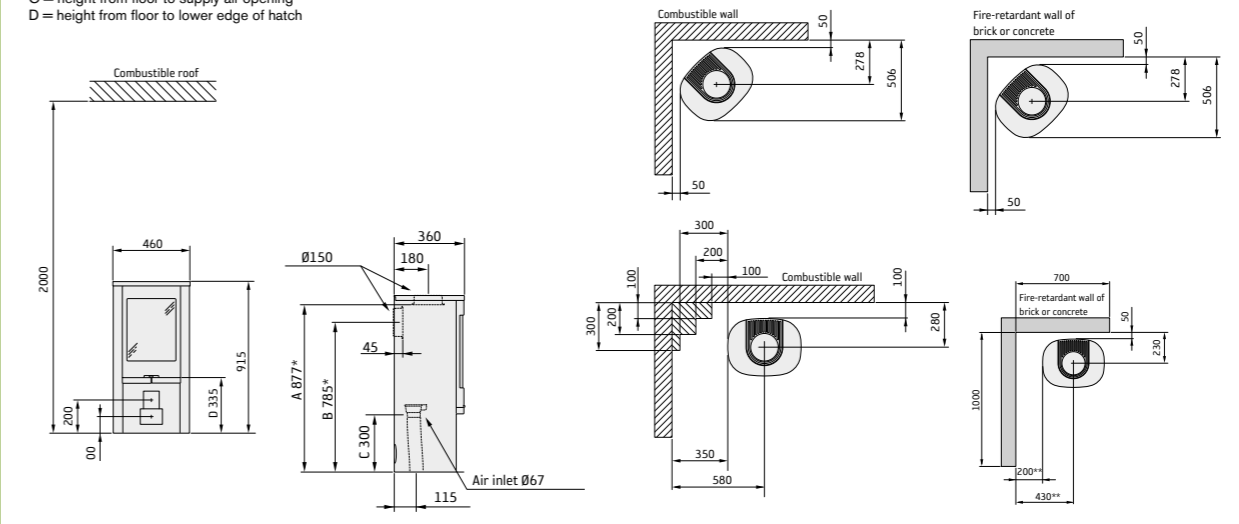


* To prevent discolouration of painted non-flammable walls we recommend that the same side distance as to combustable walls is used.
 Note: If the stove is positioned on a turntable the stated installation distances do not apply. Note: The glass hearth plate increases the distance above the floor by approximately 10 mm.

810

A = height from floor to chimney connection
 B = height from floor to C/c smoke outlet rear.
 C = height from floor to supply air opening
 D = height from floor to lower edge of hatch

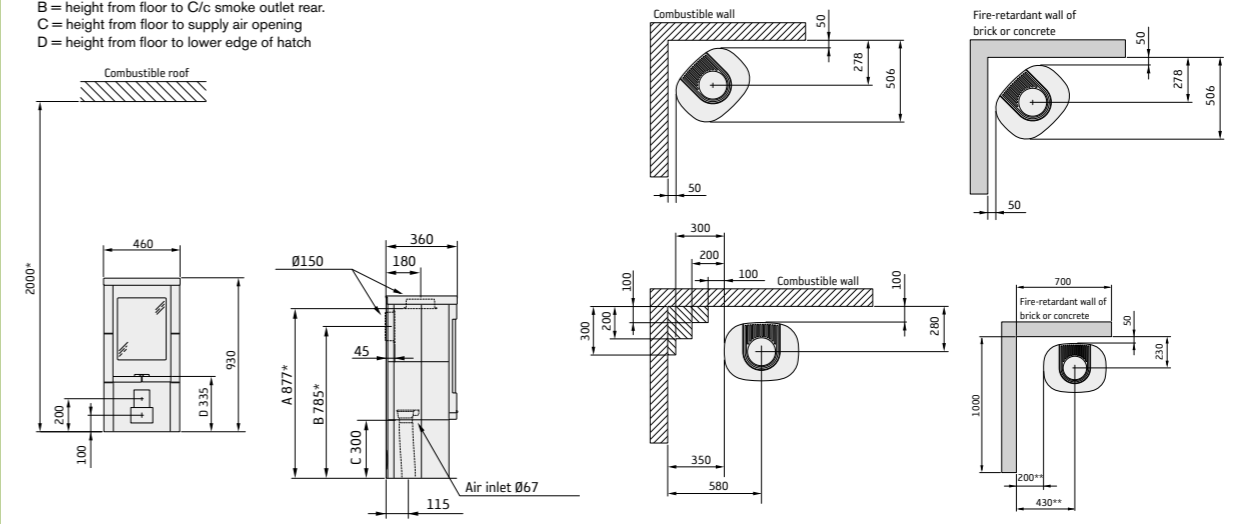
Max log length: 30 cm



820T

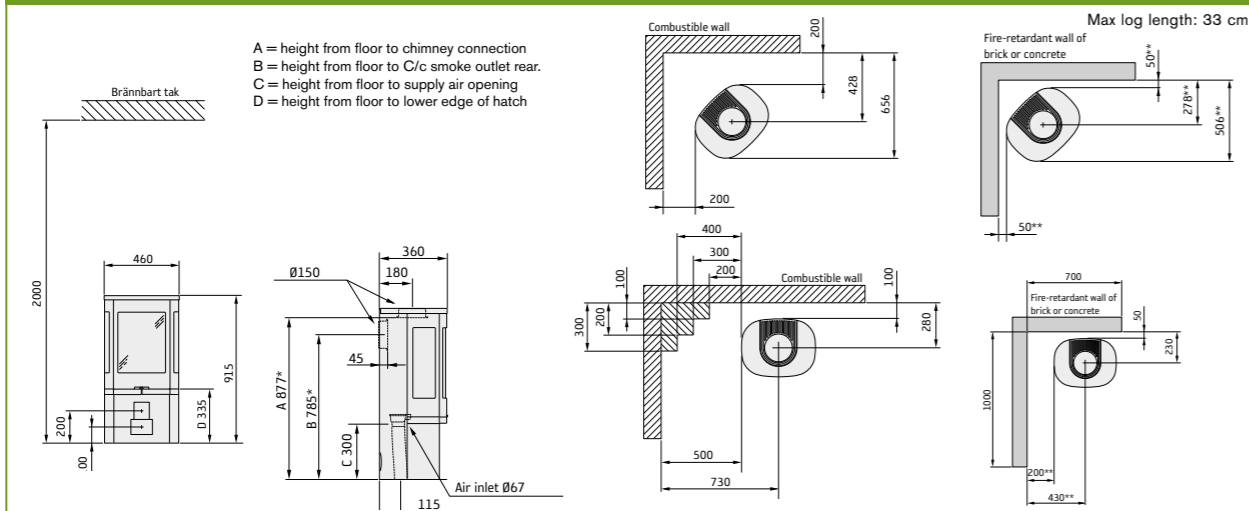
A = height from floor to chimney connection
 B = height from floor to C/c smoke outlet rear.
 C = height from floor to supply air opening
 D = height from floor to lower edge of hatch

Max log length: 30 cm

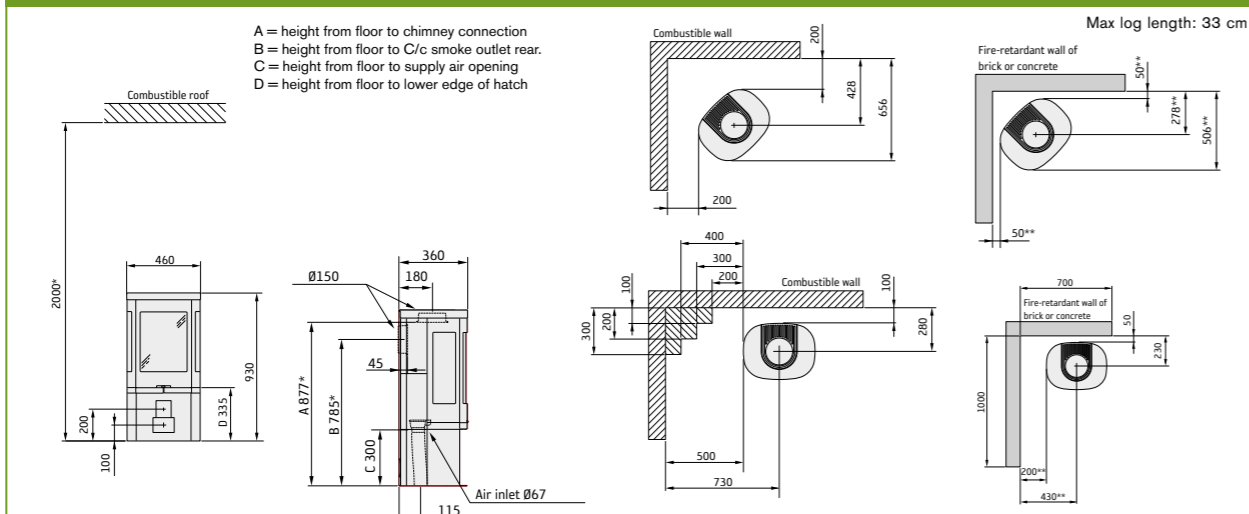


* If the stove is positioned on a turntable the stated installation distances do not apply. Note: The glass hearth plate increases the distance above the floor by approximately 10 mm.
 ** To prevent discolouration of painted non-flammable walls we recommend that the same side distance as to combustable walls is used.

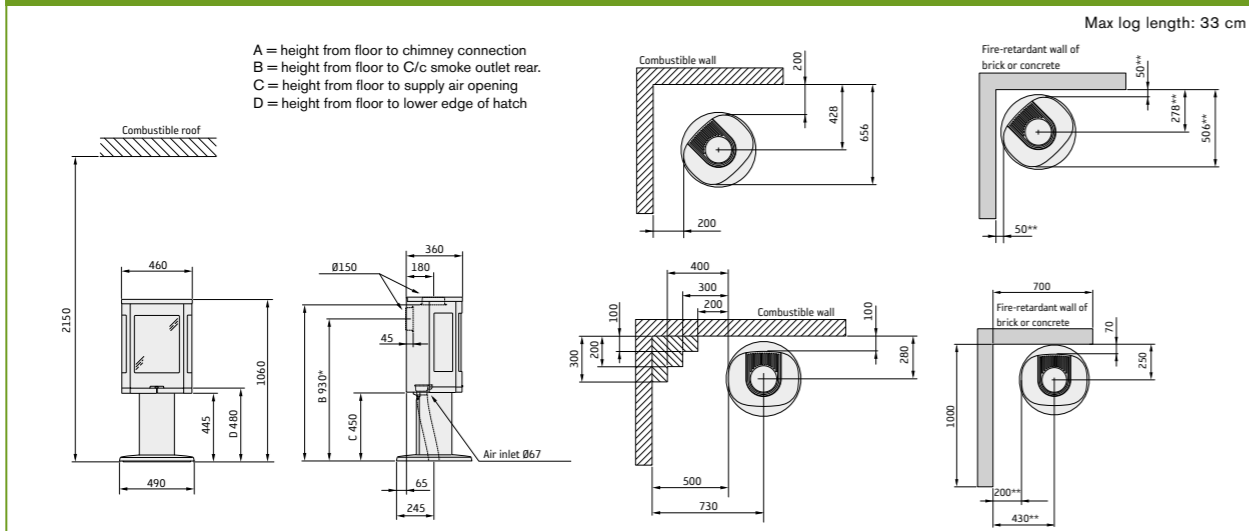
850



860T



880



* If the stove is positioned on a turntable the stated installation distances do not apply. Note: The glass hearth plate increases the distance above the floor by approximately 10 mm.
 ** To prevent discolouration of painted non-flammable walls we recommend that the same side distance as to combustible walls is used.

The importance of wood

Wood is a biofuel

that, when correctly lit, is part of the natural cycle. As a tree grows, it consumes water and carbon dioxide in photosynthesis. This process releases oxygen, which we need to breath. When the wood is burnt or decomposes it releases the water and the carbon dioxide. The oxygen that is created when the tree grew is also consumed in the process. All this takes place in a cycle, which means that burning wood does not contribute to the greenhouse effect.

Logs are best

stored in a woodshed with good air circulation. It is important that the wood does not lie on the ground and that it is as airy as possible at the roof and sides. Logs that have been split early in the spring can in the best cases be used the following winter. But it is better if the wood can dry for two spring seasons because wood dries best in the spring before the leaves bloom. Damp wood burns poorly, gives off less heat and is worse for the environment. Logs to be burnt should not contain more than 20% water.

Split logs dry quicker

than unsplit. Birch logs must be split as quickly as possible, otherwise they become hard and difficult to work with. Pine and fir trees are easier to split if they have been allowed to dry a little. The logs should be stored at room temperature for 24 hours before burning.

Covering the logs

with a tarpaulin for example is not a good idea because the moisture from the ground and the wood cannot then evaporate. Damp wood is more susceptible to rot, which quickly consumes the energy value of the wood.

Never burn

painted wood, impregnated timber, plywood or similar. It can damage the fireplace and the environment. Oak logs are excellent for burning but it is important to mix them with other wood when burning. Oak contains a lot of energy, but also a lot of tannin which is aggressive to both the stove and masonry.

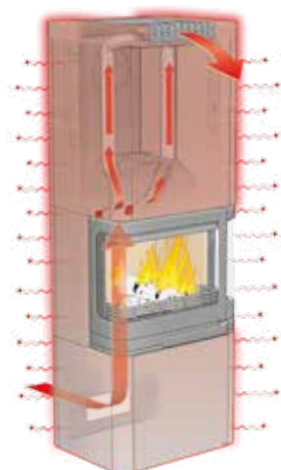
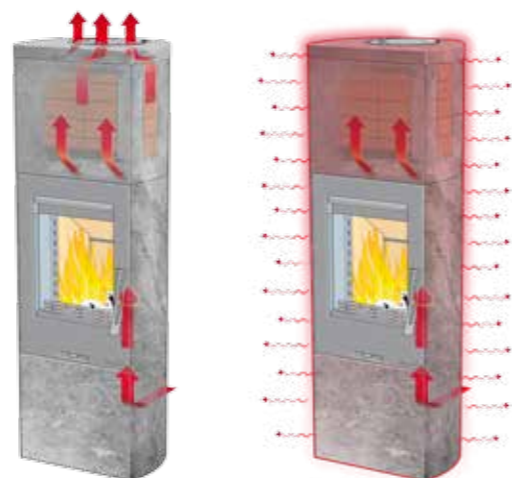
Excellent solutions that maximise the heat with your Contura

The heat tank and hot air damper give more heat for longer.

Heat tank with Powerstone

Powerstone is a stone with excellent heat retention properties. It provides heat long after the fire has gone out. For example, the cooling period is up to 18 hours for Contura 26T with extra heat tank (see page 101).

Heat tank is included in the Contura 400 range and in the low model of the Contura 26K and 26T. A heat tank is also available for 590, 590T, 26K high, 26T high, 34T and 35T.



Adjustable damper

The adjustable damper in Contura 26 enables you to regulate the amount of heated air from the stove. Adjustable damper is provided with Contura 590, 590T, 34T and 35T when a heat tank is selected. A closed damper gives a long cooling down period. An open damper distributes the heat more quickly, which is good when you want to heat a room up quickly.



Dual air system regulates heating and cooling

With two efficient heating systems Contura 26 stoves have a fantastic ability to both control the heat distribution and the cooling down period. The red arrows indicate how cold air is drawn into the rear of the stove, continues through two pipes in the firebox, passes through metal hoses and is distributed into the room at the top of the front side of the stove.

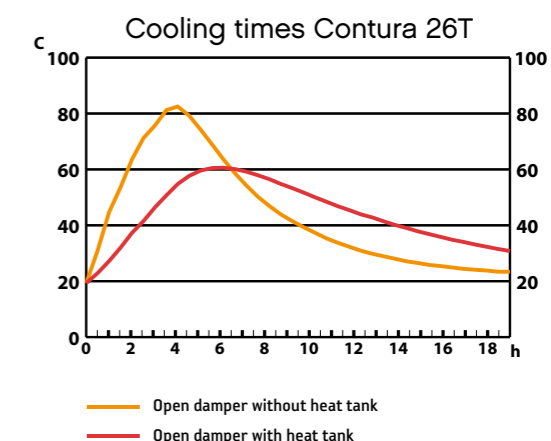
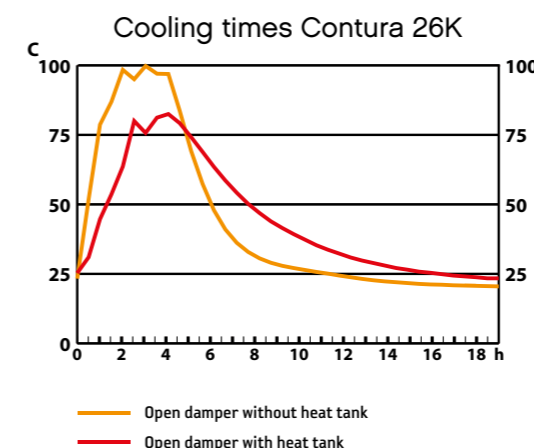
The orange arrows indicate how cold air is drawn in at floor level and heats up between the stove's hot internal parts and the outer tile/soapstone to be spread via the grille.

Test of heat retention in Contura

At Contura we test the function and output of the stoves very thoroughly. We do this so that you know what you are getting when you choose a Contura. On the following pages you can see the cooling times for a selection of our models. To show the differences, we tested the stoves with and without the powerstone heat tank and with and without a natural, heat-retaining, soapstone casing.

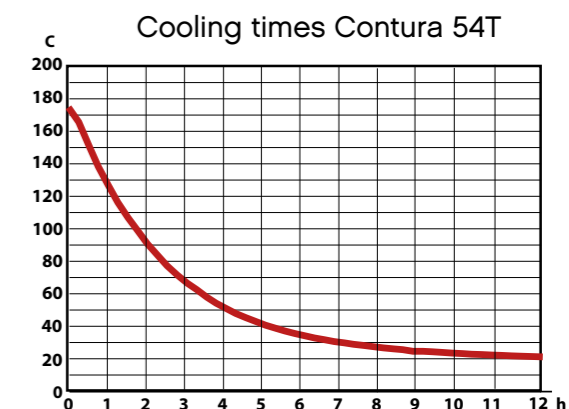
Efficiency test Contura 26

Contura 26 (see page 26) is one of our most heat efficient stove. The test started with a normal starting amount of about 2.5 kg of kindling. Then we loaded the stove four times with a normal amount of 2.5 kg of wood every fifty minutes. The final load of wood is more than capable of keeping the stove warm all night long, until it was time to relight the fire in the morning. Contura 26 has a cooling period of up to 18 hours. With the damper closed the cooling period is extended.

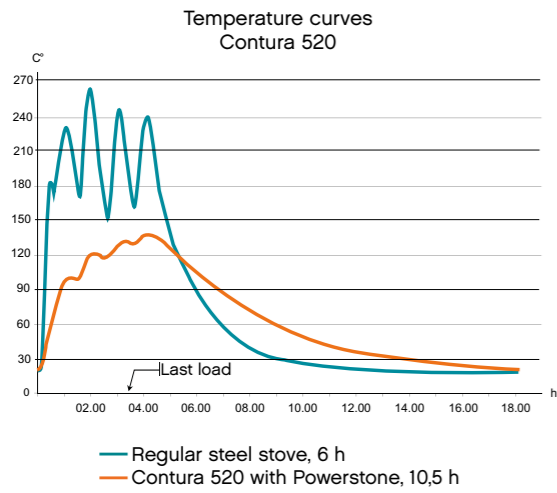


Efficiency test Contura 54T

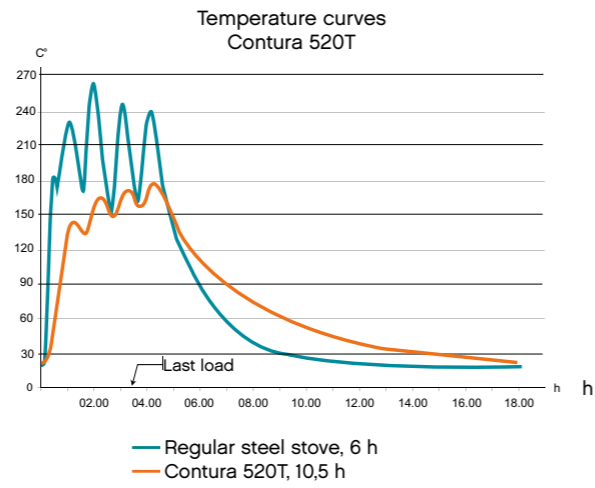
In favourable conditions, a good stove can provide enough heat for most of the house. With a casing in natural heat retaining soapstone the cooling period is extended. A test firing of Contura 54T (see page 39) showed that the temperature dropped from 23 ° to 18 ° over 12 hours.



Heat retaining test Contura 520



Heat retaining test Contura 520T

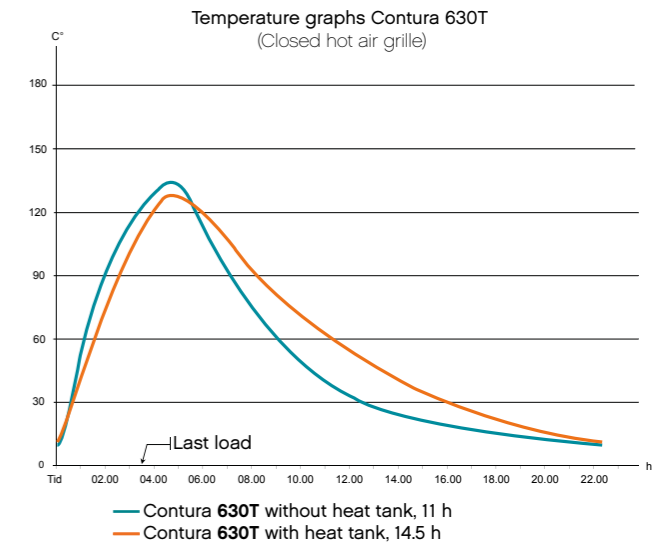
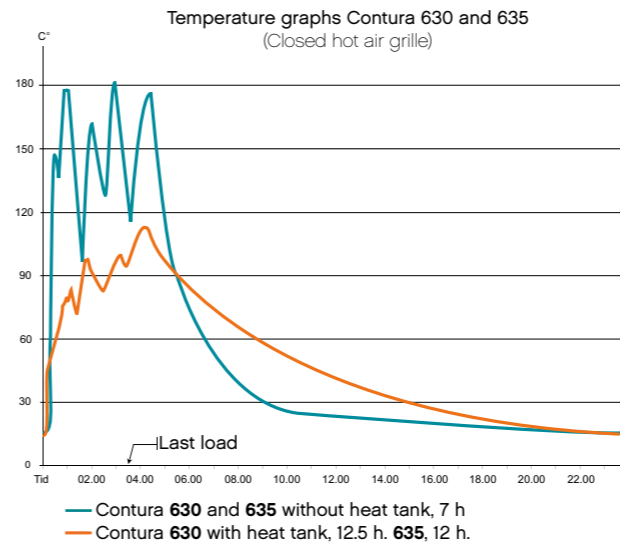
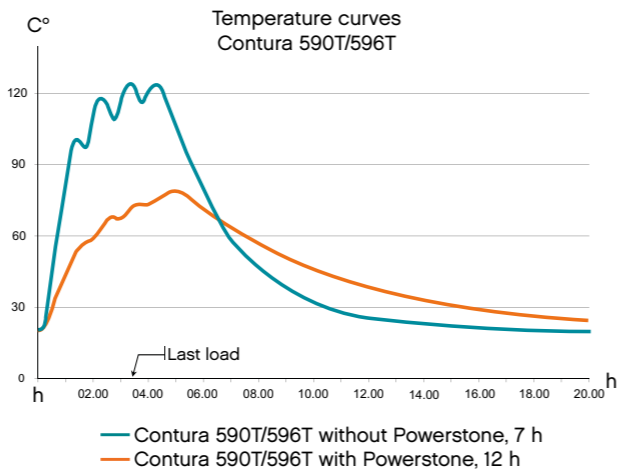


Output test of Contura 630, 630T and 635

The tests of the models with heat tank in the 600 series with an initial fire and four loads of wood. The initial fire and first three loads were with the combustion damper wide open. After the last load the air supply was choked to a little less than half. The cooling time is calculated from the last load until the outer temperature of the heat tank (measured on the cover) has fallen to 30 degrees. The tests were performed six times over six days.



Heat retaining test Contura 590T/596T



Powerstone

Several models in the Contura series are available with a heat tank made of heat retaining powerstone. The tank is located under the cover above the firebox of the stove. The excellent heat retaining properties of the stone give up to four hours longer heat retention.



Contura 790 with powerstone

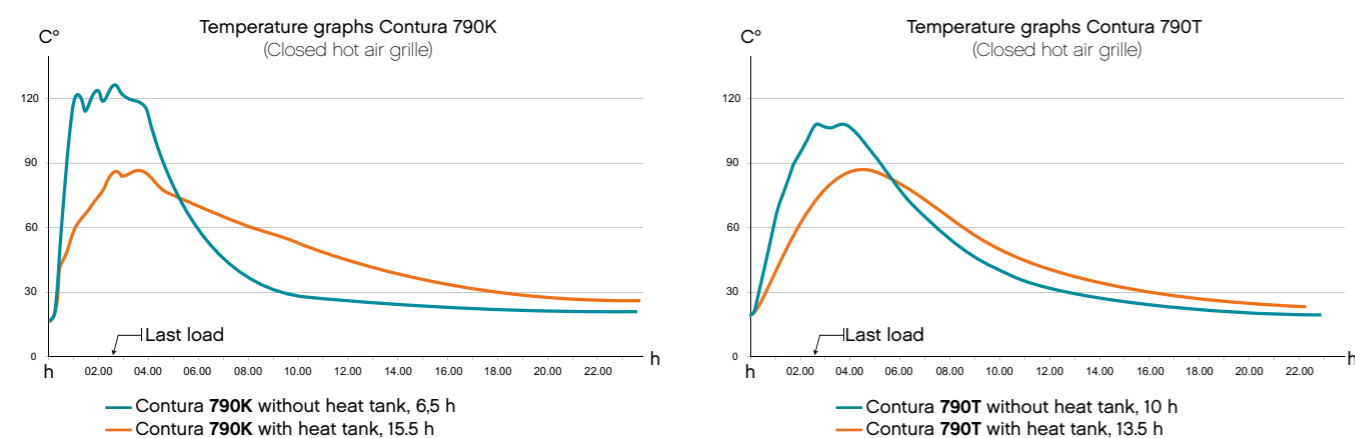
Contura 790 (see page 64) is available with a heat tank made of heat retaining powerstone. The tank is located under the cover above the firebox of the stove. The stone's excellent heat retaining properties give even heat distribution for a long time. The cooling period is up to 15 hours, with the damper closed.



On some models, there is an adjustable damper that regulates the amount of heated air from the stove out into the room. A closed damper gives a long cooling period, an open damper spreads the hot air in the room quickly.

Cooling graphs for Contura 790

A total of four days of lit fires with four different versions of Contura 790. The tests were carried out with an initial fire and four refuellings. The initial lighting and the first three refuellings were carried out with the combustion damper completely open. After the last refuelling the air supply was restricted to a little under half. The cooling period was counted from the final refuelling until the external temperature of the surround (upper front stone) had reduced to 30 degrees.



Fan that spreads the heat quickly and efficiently

A fan is an excellent choice for those who want quick and even distribution of heat, for example, across large areas in the home.

The fan is thermostat-controlled and starts automatically when the stove gets hot and stops when it has cooled. It can, of course, be controlled manually.

The fan is available as an option for Contura 26, 30, 400, 500 and 600. It can easily be retro-fitted and is concealed by a cover in the same material as the stove casing.



This is how the fan in Contura 500 and 600 is installed. The fan can be concealed behind a cover (option) that is the same colour as the stove casing.

Good air circulation for efficient combustion

Efficient air flow

The cool room air is drawn into the stove from underneath, is heated and rises. Just a few minutes later the hot air flows out into the room.

Clean glass

The control on the front of the stove controls the intensity of the fire by regulating the amount of combustion air. The combustion air is heated to extremely high temperatures and flushed out onto the inside of the glass, which prevents soot build-up.

High combustion

In the rear of the stove there is an extra duct system for spreading preheated combustion air. The system is called Clean Burning and is activated by sliding the control on the front to the left. The stove burns efficiently and for long periods resulting in a combustion with very low particle concentrations.



Light green for a better environment

Making the stove responsible for part of your heating costs is wise from both an environmental and financial point of view. If you light correctly it is a cheap heating method and kind to the environment. Cosiness is included in the price!

Modern wood firing technology is an environmentally friendly energy form, which does not contribute to the greenhouse effect. Complete combustion of wood produces carbon dioxide, water vapour and ash that can be used as garden fertiliser. Complete combustion also gives better heating economy, which is itself environmentally friendly. But in order for the fire to have the best possible effect and contribute to as clean an environment as possible it is important to fire correctly. Here are some basic tips. See the instruction films and read more at www.contura.eu

Seven hot tips for greener and more efficient firing

1. Replace your old stove with a new one if it is more than ten years old. Modern stoves are up to 90% cleaner and 40% more efficient than their predecessors.
2. Choose an eco-labelled stove.
3. Always light using dry wood.
4. Let the door stand ajar for at least 10 minutes after lighting the fire.
5. Make sure that the fire always has enough oxygen.
6. Do not burn more than the manufacturer recommends, which is normally a max 2-3 kg logs/hour.
7. Always let the wood lie indoors for at least one day before burning. "Deep frozen" wood (-20 degrees) means that the heat recovery will be very poor.



Contura is completely Swedish!

The design and product development of Contura stoves occurs in Sweden, as does the assembly of all stove parts. The stoves are quality controlled before leaving the factory in Markaryd. This gives us full control over the quality in all stages of production. We take care to ensure that the stoves are suitable for the modern home and conditions. We are proud to mark our stoves "Made in Sweden".



A Smålander that heats Europe!

Contura stoves and Premodul chimneys are made by NIBE in Markaryd, in Småland. Conserving resources has always been a matter of course in Småland and that is why our manufacturing is modern, lean and efficient. Quality permeates every level of production in our factory, which is the largest and most modern facility for the manufacture of stoves and chimneys in Europe. Our products are sold throughout Europe and are appreciated for their timeless design, efficiency and high quality.

Contura is the leading manufacturer of stove products in Scandinavia and one of the leading manufacturers in Europe. Contura is part of the NIBE group, which has 8000 employees and a turnover of approximately 10 billion SEK.



Contura
NIBE AB
Box 134
SE-285 23 Markaryd
Tel. +46 (0)433 75 100



Part of  **NIBE** www.contura.eu

