



ROBERT C SCUTT LTD

# Installation and Maintenance Hand Book

## SkyPak Air Cooled Condensing Units

Issue Date : September 2016

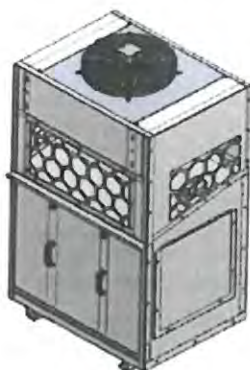


<u>Table of Contents</u>	<u>Page</u>
Product Description, Application Ranges & Model Identification .....	2
General Safety, Engineering Qualifications and Production Standards .....	3
Inspection of Equipment prior to Installation .....	3
General Warranty Policy .....	4
Handling, Positioning & Acoustic Data .....	5
General Installation Guidance	
• Refrigerant Pipework Connections .....	6
• Adding Oil .....	6
• System Evacuation & Dehydration Procedure .....	6
• Refrigerant Charging .....	6
System Components	
• Protective Devices .....	8
• Thermistor Sensor .....	8
• Discharge Gas Temperature Sensor .....	8
• Crankcase Oil Level Control .....	8
• Oil Separator .....	8
• High and Low Pressure switches .....	8
• Pressure Relief Valves .....	9
• Crankcase Heater .....	9
• Discharge pressure Optimisation .....	9
• Suction Filter, Liquid Line Drier & Sight Glass .....	9
Maintenance Schedule	
• Pressure Relief Valves .....	10
• Oil Separators .....	10
• Refrigerant Charge .....	10
• Compressor Oil Charge .....	10
• Liquid Line Driers and Suction Filters .....	10
• Refrigerant Leak Checks .....	10
Dimensions .....	11
Technical Data .....	13
Electrical Data .....	13
Operational Check List .....	15
End of Life Decommissioning Instructions .....	16



## Product Range Description

The RCS Skypak is an air cooled housed condensing unit designed for vertical air exhaust and horizontal air intake. These units can be sited as a rooftop unit, next to each other and/or back to back which reduces the overall foot print and the required installation space for multiple unit installations. Ideally suited for when Air Conditioning units are installed in the same plant area to avoid air recirculation.



These units are also ideally suited for installation in light wells or between buildings, wherever space is limited. Their design draws ambient air into the front and vertically out of the top of the unit so as to avoid the air recirculation problems associated with traditional condensing units especially during the warmer summer months.

This space saving design means that these units can be positioned directly against a wall as there is no requirement for an air inlet gap at the rear of the unit.

**Application Range:** The Skypak range has the unique ability to operate 1, 2 or 3 different temperatures, each zone being independently controlled from within one housing as shown in the following chart: Skypak 10 (Single fan unit)

Skypak 20 (Twin fan unit)

Skypak 30 (Triple fan unit)

- \* Single temperature unit
- \*\* Single temperature unit, or
- \*\* Dual temperature unit; Chill and Freeze
- \*\*\* Single temperature unit, or
- \*\*\* Dual temperature unit; Chill and Freeze
- \*\*\* Three temperatures; HT, and Chill and Freeze

**Model Identification:** Each individual model leaves the factory fitted with a unique identification plate containing the unit Serial Number together with a number of other details.

**Serial Number:** This is a unique number and must be quoted when requesting technical support and/or warranty claims.

**Max Allowable Pressure:** This is the maximum refrigerant pressure that the system has been designed to contain. The HP switch and Pressure relief valve have been selected to protect the system from pressures in excess of the value.

**Liquid Receiver:** This is the total internal volume of the liquid receiver.

**Lubricant:** This is the approved oil that the system contains.

**Refrigerant type:** This is the refrigerant type for which the system has been designed. If other refrigerants are used the system performance may be compromised and warranty may become null and void. Contact RCS technical team for advice before applying other refrigerants.

**Electrical Data:** These values show whether the Skypak unit is designed for 3 phase or 1 phase operation together with the maximum compressor and condenser fan running amps.

 <p>Manufactured by Robert C. Scutt Limited Maidland Road, Lion Barn Industrial Estate, Needham Market, IP6 8NZ T: 01449 722274 F: 01449 723311 e: info@rcscutt.co.uk</p>			
<b>Model : Skypak 20-ZB45</b>			
Serial No: C34567		Date of Manufacture : September 2016	
Max Allowable Pressure: Discharge: 26.3barg Suction: 14.1 barg	Lubricant : Emkarate Solist RL32 POE	Liquid Receiver : 6.0 Litre	This system contains four rated pressure gases covered by the Kyoto Protocol <b>R407F</b>
<b>Electrical Data:</b> Compressor: 380v-3ph-50hz MIRA: 13.1 amps LRA: 74.0 amps		EC Condenser Fans: 230v-1ph-50hz 2 x 1.23 amps	Crankcase Heater: 230v-1ph-50hz 0.21 amps
			





## General Safety Rules, Engineers Qualifications and Production Standards

### Installation & Maintenance Engineers Qualifications:

- All work on the compressors and any component or refrigerant control incorporated into this system must only be carried out by refrigeration engineers who hold the current level of refrigerant handling qualification (City & Guilds 2079 or CITB J11-14) at the required level for the task being performed.

### Operating Temperatures and Pressures:

- During normal operation surface temperatures exceeding 80°C and below -20°C can be reached therefore extreme caution must be taken as serious burns and frostbite are possible.
- Operating pressures in excess of 25 barg and below 0.5 barg can be reached therefore great care must be taken when working on this plant.
- The appropriate personal protective clothing must be worn at all times when working on this equipment.

### Refrigerant type and Operating range:

- The system data/quotation will specify the type of refrigerant and the operating range which this equipment has been designed to operate with and no other refrigerant or operating range must be employed without the consent in writing of Robert C. Scutt Ltd.

### Production Standards

- All Refrigeration equipment manufactured by Robert C. Scutt Ltd is in accordance with the following design standard and specifications :-
  - The Pressure Equipment Directive 2014/68/EU (Formally 97/23/EC)
  - BS EN 378-1:2008, EN14276-2-2006
  - Machinery Directive BS EN 2006/42/EC
  - Institute of Refrigeration Safety Code of Practice for Refrigeration Systems utilising groups A1 and A2 refrigerants.

### General Safety Considerations

- To avoid potential injury, use care when working around heat exchanger coil surfaces (fins) or the sharp edges of metal cabinets. All piping and electrical wiring must be installed in accordance with applicable codes of practice, and current legislation.

## Inspection of Equipment prior to Installation

All equipment must be visually inspected before it is unpacked for signs of damage or loss. Check the delivery note against the material received to ensure the shipment is complete.

**Important:** Remember, you are the consignee and it is your responsibility to report any shipping damage or missing parts as soon as delivery is accepted or at least within 12 hours. Should the packaging be damaged, but damage to the equipment is not obvious, a claim should be filed for "concealed damage" and the product signed for as "unexamined".

**Important Electrical Inspection:** Check the electrical ratings on the equipment \*(voltage, phase and frequency) to make sure they correspond to those ordered and to the electrical power available at the installation site.

**Shipping documents:** All shipping papers, tags and instruction sheets must be retained and kept in a safe place for reference by the installer and/or the owner of the equipment.



## General Warranty Policy

Subject to the terms and conditions set out in this General Warranty Policy, during the first 12 months after installation of this equipment we will supply under warranty any component part(s) of our product found to be defective in materials or workmanship. Replacement parts will be supplied and invoiced under our normal terms of payment pending the return of the suspect component. If the component is proved to be defective and is accepted under warranty by our supplier, a credit will be issued for our replacement part invoice. If warranty is not accepted by our supplier our replacement part(s) invoice will become due for payment.

Any replacement parts supplied under warranty will inherit the unexpired warranty life of the original component e.g. if a component fails after 3 months and is accepted under warranty the replacement will inherit 9 months of unexpired warranty of the original component. In the event that warranty is rejected the replacement part will (once paid for) carry 12 months warranty from the date of our replacement invoice.

It is a condition of this warranty that the part(s) to be replaced must be made available in exchange for the replacement parts and proof of the original installation date of the parent product must be provided together with the R C Scutt Serial number e.g. C12136 in order to establish the effective warranty date. In order to remove any uncertainty if the installation date is not supplied the effective date will be based on the manufactured date plus 30 days which will be calculated using the unit serial number.

Any labour, material, refrigerant, transportation, freight of other charges incurred in connection with the performance of this warranty will be the responsibility of the owner of the equipment. It is an express condition of this warranty that regular maintenance and servicing is carried out by qualified personnel in accordance with the qualifications set out in the Installation & Maintenance Engineers Qualifications section above.

This warranty may be transferred to a subsequent owner of the product.

### Warranty Exclusions:

Damages and Expenses caused by :-

- a) Accident, abuse, negligence, misuse, riot, fire or flood.
- b) Operation of the equipment in a corrosive atmosphere
- c) Any unauthorized alteration or repair to the system affecting the equipment's reliability of performance.
- d) Improper matching or application of the equipment to other system components not in our control such as evaporators, expansion valves and controllers.
- e) Failing to provide routine and proper maintenance or service to the equipment.
- f) Parts use in connection with routine service and maintenance such as filters, oil, refrigerant etc.
- g) The equipment being moved and re-installed at a location other than the original site.
- h) Equipment installed and operated other than in accordance with the printed instructions.





## Handling, Positioning and Installation Location

When selecting a location for the SkyPak unit, the following constraints and design issues must be considered:-

- a) Loading capacity of the floor or roof. Check building codes for weight distribution requirements.
- b) A flat and level site.
- c) Distance to suitable electrical supply.
- d) Adequate air circulation and ventilation.
- e) Adequate electricity supply
- f) Accessibility for maintenance and service.
- g) Local building regulations and/or codes.
- h) Adjacent buildings relative to noise levels.

### Acoustic Data:

Noise level data is available for all models expressed as Free Field Sound Pressure db(A) values at various radial distances, or alternatively expressed as Sound Power values relating to a sound spectrum of frequencies from 63Hz to 8000Hz. This acoustic data is based on manufacturers measured component values as the elements of a calculated assembly value and is offered in order that the design engineer will have indicative data to use as part of the equipment design and positioning process.

Actual site measurements may vary from these values dependant on equipment location and site conditions, therefore specific site measurements and positioning of equipment will be the responsibly of the installer.

### Positioning the SkyPak Condensing Unit:

- A fully qualified and properly equipped crew with the necessary lifting tackle and rigging should be engaged to locate the equipment into position. When lifting the unit, spreader bars and chafing gear should be used to prevent damage.
- The SkyPak range are all housed in a weather proof steel housing and are all designed to be positioned outside and require no special protection from the elements.
- The unit should be placed on a base, which is level and even. Place unit where it will not be subject to damage by traffic or flooding.
- On critical installations where noise is liable to be transmitted through the floor structure, vibration isolators should be installed.
- **DO NOT USE THE SHIPPING PALLET AS A PERMANENT BASE**
- The equipment should be positioned to allow adequate space for performing service work.
- The SkyPak condensing units do not require an air inlet gap at the rear and can therefore be positioned tight against a wall, or in a flat roof location can be positioned back-to-back or side-by-side.

### Special note for the larger Skypak condensing units:

- Great care must be taken with the larger models in the range as there is a risk of damage and/or personal injury if they are not handled correctly. A fully qualified and properly equipped crew with the necessary tackle and rigging should be engaged to locate these condensing units into position. Spreader bars should be used to prevent damage to the sides of housing. Do not sling directly around the base of unit. The unit should be placed on a base which is level and even.



## General Installation Guidance

### Refrigerant Pipework Connections

- The SkyPak units leave the factory with a holding charge of OFN (1.4bar, 20psi) in order that the installation engineer can be confident that there have been no leaks created by the delivery process prior to installation and to ensure that the system remains fully dehydrated. This charge can be released to atmosphere at the time the pipework connections are made.
- The Suction and liquid lines must be brazed in place and the lines must be at least the same diameter as the connections fitted to the SkyPak model. These diameters are only valid up to a maximum pipe run of 10 meters. For longer pipe runs the diameters must be verified to ensure the correct refrigerant velocity to ensure correct oil return and line pressure drops. Excessive pressure drops will diminish the system capacity. Good refrigeration practice must be followed.
- Suction lines operating at evaporating temperatures in below -10°C must be insulated to avoid excessive suction line superheat values and condensation formation on the outside of the line.
  - Suction Lines at -30°C evaporating temperature = ¾" wall insulation
  - Suction Lines at -10°C evaporating temperature = ½" wall insulation
  - Liquid Lines exposed to ambient temperatures above 35°C = ½" wall insulation

### Adding Oil

- If the pipe run is less than 10 meters it will not normally be necessary to add oil to the system, however for longer runs and larger pipe work a small quantity of oil should be added. After a few days of normal operation compressor oil levels should be checked (1/2 sight glass) and adjustments made if necessary.

### System Evacuation Dehydration

- When the system is completely free of refrigerant leaks, an evacuation of the entire system should be completed by using a "high vacuum" pump. This evacuation, if completed correctly, will ensure long life for the system as well as elimination of moisture and non-condensable gas problems. Moisture problems causing compressor failure will void warranty.
- **Caution: Do not use the refrigeration compressor to evacuate the system. Never start the compressor or perform a megger insulation test while the system is in a vacuum.**

### Dehydration Procedure

- Use only a "high vacuum" pump capable of drawing a vacuum of 100 microns. Change the vacuum pump oil frequently. Gauges or vacuum measuring instruments should be suitable to measure conditions at any stage of the process in order to give the refrigeration engineer indications of progress.

### Refrigerant Charging

Refrigeration equipment must only be charged with the refrigerant for which it has been designed. The type of refrigerant for which the SkyPak unit has been designed is specified on the name plate of the unit.





Installing a liquid line drier between the service gauge and the liquid service port when charging a unit will ensure the refrigerant supplied to the system is clean and dry. This is especially important when charging a low temperature system using a blended refrigerant such as R404A.

Blended 400 Series refrigerants such as R404A, R407A, R407F, R448A, R449A etc. must not be vapour charged unless the cylinder is completely emptied into the system. These refrigerants only retain their correct formulation in the liquid phase therefore they must always be charged in liquid form to ensure the correct blend is in the system. This may mean inverting the refrigerant cylinder if it only has a single (vapour) outlet valve. Larger cylinders with a double outlet valve will have an internal liquid dip tube and therefore inverting these cylinders is not necessary.

Weigh the refrigerant cylinder before and after charging in order to keep an accurate record of the weight of refrigerant put into the system in accordance with the 'F' Gas Regulations. The total system charge must then be recorded in the plant record log that must be left on site as a permanent record of refrigerant usage in the system.

- **DO NOT** charge strictly by the holding capacity of the receiver.
- **DO NOT** assume that bubbles in a sight glass, when located at the condensing unit, indicates the system is undercharged.





## System Components

Protection Devices: The SkyPak Condensing units are extremely flexible in their application and may incorporate a built-in range of safety devices to protect the equipment against malfunction. The safety devices that are applied to equipment will be automatically selected by Robert C. Scutt, unless specifically requested by the customer, dependent on the size and type of equipment and the application. The range of devices that are applied are as follows:-

- Thermistor Sensor: The compressors fitted to this equipment contain an electronic thermistor sensor fitted into the compressor terminal box to protect against compressor motor overheating. This is an auto-reset device and if tripped will automatically restart the compressor once the motor winds have cooled down to a safe operating level.
- Discharge Gas Temperature: Discharge Gas Temperature Sensors are available as an option and may be fitted to individual compressors to protect against excessive discharge superheat values as an additional safety device if required.
- Crankcase Oil Level Control: On multi-compressor systems and inverter controlled single compressor systems each compressor is fitted with an electronic oil level controller which feeds and monitors each individual crankcase oil level. If this level falls too low for safe operation of the compressor the control will automatically stop the compressor. This is an auto-reset control and if tripped will automatically restart the compressor once the optimum oil level has been restored.
- Oil Separators: The compressor crankcase oil level control valves are fed directly from an oil separator mounted in the common discharge line. There are two types of oil separator design applied to Robert C Scutt equipment dependant on the type of application.
  - Impingement type: This design is applied to smaller single compressor condensing units and compressor/receiver units. Oil return from this design of oil separator is fed directly into the compressor crankcase.
  - Coalescent type: This design is applied to larger single compressor applications and multi compressor systems, particularly where compressors are inverter speed controlled. Oil return from this design is generally fed to the compressor crankcase via an electronic oil level control. Due to the high filtration efficiency of these oil separators they may be fitted with a monitoring device which displays the pressure drop through the separator vessel.
- High and Low Pressure Controls: Dependant on the application and system design equipment may be fitted with a range of electro-mechanical or transducer high and low pressure controls as follows:-
  - Auto/Manual Dual pressure safety controls to safeguard against too high discharge pressure or too low a suction pressure.
  - Back-up controls that take over the control of the equipment in the event of main controller failure. (Multi compressor systems only)
  - Back-up controls that take over control of the condenser fans in the event of main controller failure. (Multi compressor systems only)





- **Pressure Relief Valves:** In order to protect the equipment from excessive internal pressure equipment will be fitted with pressure relief valve(s) the design, pressure setting and number of valves will be in accordance with EN378-2008 and the discharge rate and valve size has been applied in accordance with EN13136. The application of these valves is also governed by the rules set out in the Pressure Equipment Directive 97/23/EC. Typical valve settings for various refrigerants for operation up to an ambient temperature of 32°C are as follows:-
  - R404A, R407A: HP = 24.8bar                      LP = 14.09bar
  - R407F, R448A: HP = 27.6bar                      LP = 15.3bar
  - R134a:                      HP = 14.0bar                      LP = 7.20bar

Pressure relief valves for HP protection are generally fitted directly onto the liquid receiver whereas LP valves are mounted directly onto the suction line or header in multi compressor applications. Larger systems will be fitted with dual valves and a manual change over control to allow for valve servicing and replacement. These dual valve assemblies are fitted with bursting discs and pressure sensing gauges to record the fact that a valve may have opened. All pressure relief valves vent to atmosphere.

- **Crankcase Heaters:** Crankcase heaters are fitted to each individual compressor to protect the compressor against refrigerant being dissolved into to oil and the subsequent oil foaming at start-up which can damage the compressor crank shaft, bearings and pistons. These heaters are automatically energised during compressor standstill, periods.
- **Discharge Pressure Optimisation (optional):** This control enhances the operational efficiency of the equipment by automatically maintaining a constant refrigerant discharge pressure. This is achieved by varying the speed of the condenser fans for air cooled plant or alternatively by-passing the water flow around the condenser on water cooled equipment. Dependant on application and size of equipment the controls are as follows:-
  - Small single compressor air cooled condensing units are fitted with an electro-mechanical fan speed controller which controls all fans at the same time. This form of control can be applied to single or three phase fans dependant on total absorbed power.
  - Larger air cooled condensing units and multi fan remote air cooled condensers are controlled by an inverter system driven by pressure transducers.
  - Optional EC fans can also be applied to larger remote air cooled condensers together with transducer pressure sensors.

These controls are highly recommended for the optimum operation of the plant but are optional controls which will be incorporated into our equipment at the customer's request.

- **Suction Line Filters & Liquid Line Driers & Sight Glasses:** In order to protect the compressor motion work from foreign bodies and moisture the equipment may be fitted with a suction line filter and a liquid line filter/drier.
  - Suction Line Filter: Normally only applied to larger condensing units and multi compressor systems these filters have replaceable cores that can be replaced on site. Various types of cores are available e.g. Standard filtration quality, High filtration quality, Moisture/Acid absorption and Felt filters.
  - Liquid Line Filter Drier: These filter driers are installed in the liquid line and are selected against the system capacity. The function of this filter is to dehydrate the refrigerant as it passes through the desiccant contained in the shell and to protect any downstream components from foreign matter.





## Maintenance Schedule

There are a number of items that require regular maintenance checks and although not exhaustive, the following list highlights the major components that require regular attention.

### Pressure Relief Valves & Rupture Discs

- The relief valve/rupture disc assemblies are fitted with a pressure gauge that indicates whether the rupture disc has burst and this must be checked at each visit to the plant.
- The manufacturer recommends that in the event of a PRV has discharged it should be replaced as the set pressure can no longer be guaranteed.
- In any event all pressure relief valves should be replaced every 5 years.
- If the operating pressure of the system has exceeded 90% of the rated burst pressure of the rupture disc, the disc should be replaced as it is most likely that fatigue will have occurred and the disc may be susceptible to premature rupture.

### Coalescent Oil Separator

- Coalescent oil separators contain a filter element for extreme efficiency. The filter will “clean up” a new system and it may therefore be necessary to replace the filter shortly after commissioning. In order to maintain optimum operation the vessel may be fitted with a visual pressure difference gauge and if this gauge shows a pressure difference in excess of 13psig/0.9bar the filter should be changed.
- This filter must always be changed after the replacement of a compressor.

### Refrigerant Charge. (F-Gas Directive)

- During the commissioning process a label must be attached to the plant showing the actual total operating system refrigerant charge and type which must be also recorded on the F-Gas record sheet for the plant. Any additions or subtractions to the charge must be recorded as part of the maintenance regime for the plant.

### Compressor Oil Charge

- Regular checks must be carried out to verify the compressor oil charge  $\frac{1}{4}$  to  $\frac{3}{4}$  sight glass. It is not normally necessary to change the oil for factory assembled plant but for “field assembled” installations an oil change is recommended after 100 hours operation. This includes cleaning the magnetic oil plug which is fitted to larger compressors.
- In any event the oil should be completely replaced every 3 years or 10,000 hrs to 12,000 hrs operation.

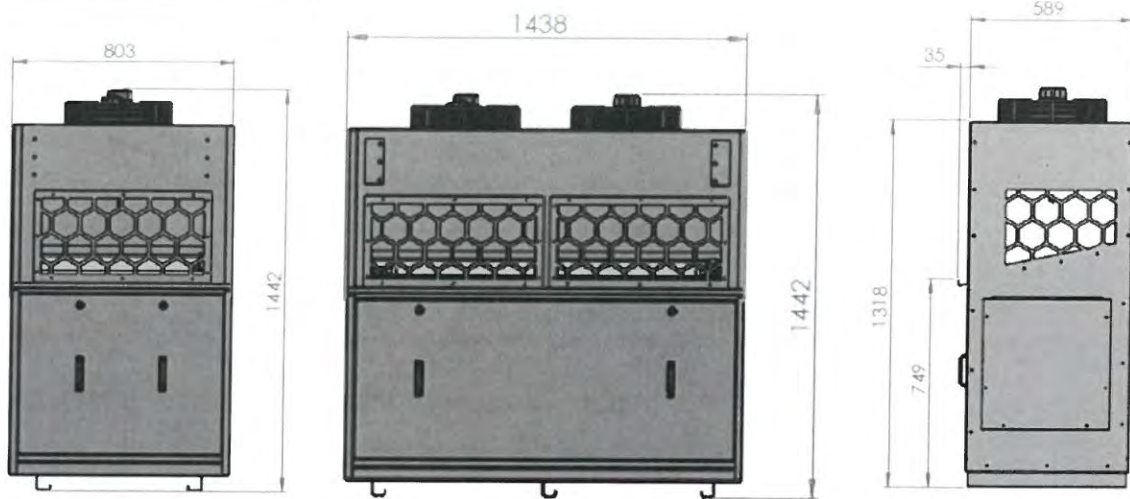
### Liquid Line Filter Driers and Suction Filters

- Multi-compressor pack systems with integral liquid receivers are fitted with replaceable core liquid line driers, which gives the maintenance engineer the opportunity to check for excess pressure drop through this vessel. If a pressure drop in excess of 2psig/0.14bar is observed through this vessel it is recommended that the replaceable core is changed.
- Smaller single compressor condensing units are fitted with sealed filter driers which should be replaced every time the system is broken into.

### Leak Checks

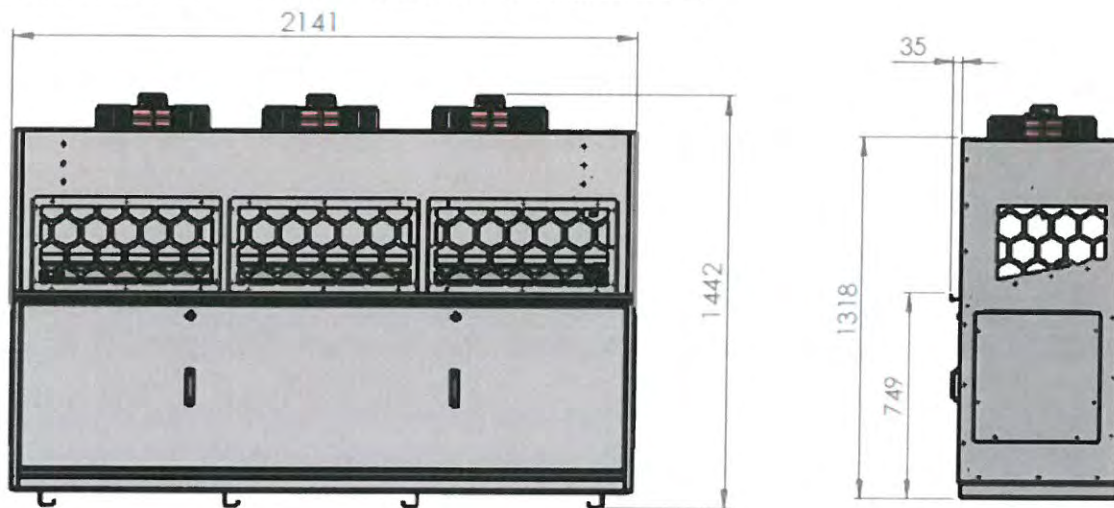
- Regular leak detection must be carried out, the frequency of which is dependent on the total system operating charge.
  - Systems containing more than 5 tonnes of CO<sub>2</sub> equivalent but less than 500 tonnes equivalent must be checked at least once every 6 months
  - Systems containing 500 tonnes of CO<sub>2</sub> equivalent or more must be checked every 3 months or where a fixed leak detector is fitted at least every 6 months.
- Once a leak has been identified and repaired a further leak test must be carried out within one month to ensure that the repair has been successful.

Housing Dimensions



Skypak 10 (1 x 350mm fans)

Skypak 20 (2 x 350mm fans)

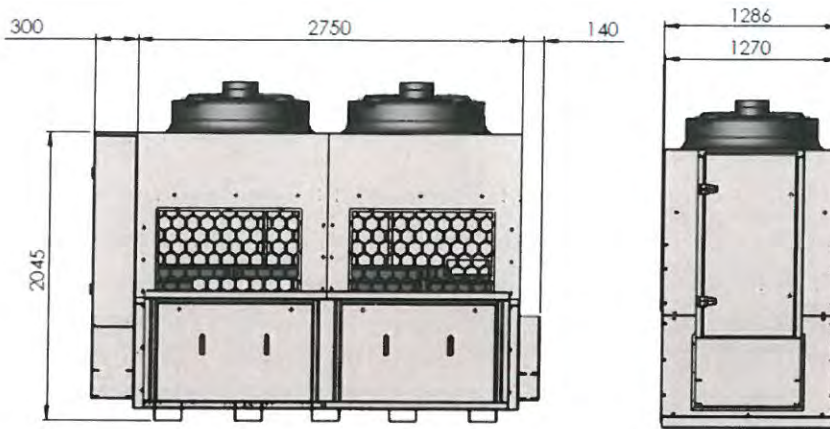


Skypak 30 (3 x 350mm fans)

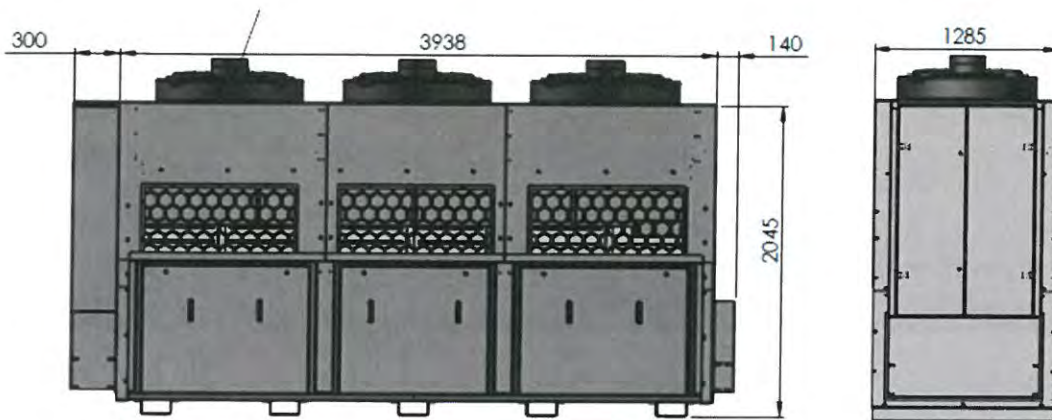


Skypak 40 & 70 (2 x 630mm fans)





Skypak 150 (2 x 800mm fans)



Skypak 225 (3 x 800mm fans)

**Unit Weight:** The weights shown in the following charts represent the total weight of a single temperature unit fitted with a Copeland Scroll compressor. Multi temperature and larger models e.g. Skypak 150 & 225 are available from the RCS technical team as these units are bespoke designs and the unit weight is dependent on compressor model type (semi-hermetic/Scroll) and the number of compressors incorporated in the housing.

## The Model Range

### High Temperature Scroll Models

### Technical Data

Condensing Unit Model	Compressor	Condenser	Receiver (litres)	Connections		Weight (kgs)	db(A) @ 10M	Condenser Fan(s) 1ph		
				Suct.	Liq.			No.	Dia (mm)	M <sup>3</sup> /hr **
SkyPak 10-Z509	ZS09-KAE-618	S1-350EC	3.4	5/8"	3/8"	175	41	1	350EC	2,970
SkyPak 10-Z511	ZS11-KAE-618		3.4	5/8"	3/8"	175	41			
SkyPak 10-Z513	ZS13-KAE-618		6.9	5/8"	3/8"	178	41			
SkyPak 10-Z515	ZS15-KAE-619		6.9	5/8"	3/8"	181	41			
SkyPak 10-ZB19	ZB19-KCE-551		6.9	5/8"	3/8"	184	41			
SkyPak 10-ZB21	ZB21-KCE-551		6.9	5/8"	3/8"	185	41			
SkyPak 20-ZB21	ZB21-KCE-551	S2-3560EC	6.9	7/8"	1/2"	263	44	2	350EC	5,940
SkyPak 20-ZB26	ZB26-KCE-551		6.9	7/8"	1/2"	264	44			
SkyPak 20-ZB30	ZB30-KCE-551		6.9	7/8"	1/2"	269	44			
SkyPak 20-ZB36	ZB36-KCE-551		6.9	7/8"	1/2"	273	44			
SkyPak 20-ZB45	ZB45-KCE-551		6.9	7/8"	1/2"	275	44			
SkyPak 30-ZB30	ZB30-KCE-551		S3-350EC	12	7/8"	1/2"	353			
SkyPak 30-ZB38	ZB38-KCE-551	12		7/8"	1/2"	355	46			
SkyPak 30-ZB45	ZB45-KCE-551	12		7/8"	1/2"	357	46			
SkyPak 30-ZB57	ZB57-KCE-551	12		7/8"	1/2"	358	46			
SkyPak 40-ZB66	ZB66-K5E-551	S2-630EC LP	19	1.1/8"	5/8"	545	42	2	630EC-LP	12,000
SkyPak 40-ZB76	ZB76-K5E-551		19	1.1/8"	5/8"	546	42			
SkyPak 70-ZB76	ZB76-K5E-552	S2-630EC-HP	19	1.3/8"	3/4"	586	56	2	630EC-HP	23,600
SkyPak 70-ZB95	ZB95-K5E-551		19	1.3/8"	3/4"	590	56			
SkyPak 70-ZB114	ZB114-K5E-551		19	1.3/8"	3/4"	591	56			

\*\* Air Flows shown are maximum values.

### Low Temperature Scroll Models

### Technical Data

Condensing Unit Model	Compressor	Condenser	Receiver (litres)	Connections		Weight (kgs)	db(A) @ 10M	Condenser Fan(s) 1ph		
				Suct.	Liq.			No.	Dia (mm)	M <sup>3</sup> /hr **
SkyPak 10-ZF09	ZF09K4E-556	S1-350EC	3.4	5/8"	3/8"	181	41	1	350EC	2,970
SkyPak 10-ZF11	ZF11K4E-556		3.4	5/8"	3/8"	182	41			
SkyPak 10-ZF13	ZF13K4E-556		6.9	5/8"	3/8"	196	41			
SkyPak 20-ZF11	ZF11K4E-556	S2-350EC	6.9	7/8"	1/2"	264	44	2	350EC	5,940
SkyPak 20-ZF13	ZF13K4E-556		6.9	7/8"	1/2"	274	44			
SkyPak 20-ZF15	ZF15K4E-556		6.9	7/8"	1/2"	275	44			
SkyPak 20-ZF18	ZF18K4E-556		6.9	7/8"	1/2"	277	44			
SkyPak 20-ZF25	ZF24K4E-556		6.9	7/8"	1/2"	275	44			
SkyPak 30-ZF15	ZF15K4E-556		S3-350EC	6.9	7/8"	1/2"	367			
SkyPak 30-ZF18	ZF18K4E-556	6.9		7/8"	1/2"	369	46			
SkyPak 30-ZF25	ZF25K4E-556	6.9		7/8"	1/2"	367	46			

\*\* Air Flows shown are maximum values.

The charts above contain design data for a standard range of Skypak models for single temperature operation. Multi temperature and larger models are more bespoke therefore the technical data for these models will be compiled on a model specific basis and will be available from our technical team on request.





Electrical Data

Electrical Data

Compressor				Condenser Fan(s)		Condensing Unit Total				Condensing Unit Model
230/1/50		420/3/50		230/1/50		230/1/50		420/3/50		
FLA	LRA	FLA	LRA	N <sup>o</sup>	MRA	FLA	LRA	FLA	LRA	
7.2	45.0	3.0	27.0	1	1.23	8.43	49.92	4.23	31.92	SkyPak 10-Z509
8.7	45.0	3.3	27.0	1	1.23	9.99	49.92	4.53	31.92	SkyPak 10-Z511
9.9	54.0	3.8	29.0	1	1.23	11.13	58.92	5.03	33.92	SkyPak 10-Z513
11.5	61.0	4.4	29.0	1	1.23	12.73	65.92	5.63	33.92	SkyPak 10-Z515
12.8	61.0	6.5	32.0	1	1.23	14.03	65.92	7.73	36.92	SkyPak 10-ZB19
16.4	82.0	7.2	40.0	1	1.23	17.63	86.92	8.43	44.92	SkyPak 10-ZB21
16.4	82.0	7.2	40.0	2	1.23	18.66	91.84	9.66	49.84	SkyPak 20-ZB21
18.0	97.0	8.9	46.0	2	1.23	20.46	106.84	11.31	55.84	SkyPak 20-ZB26
-	-	10.3	49.3	2	1.23	-	-	12.76	59.14	SkyPak 20-ZB30
-	-	12.8	65.5	2	1.23	-	-	15.26	75.34	SkyPak 20-ZB38
-	-	13.1	74.0	2	1.23	-	-	15.56	83.84	SkyPak 20-ZB45
-	-	10.3	49.3	3	1.23	-	-	13.99	64.06	SkyPak 30-ZB30
-	-	12.8	65.5	3	1.23	-	-	16.49	80.26	SkyPak 30-ZB38
-	-	13.1	74.0	3	1.23	-	-	16.79	88.76	SkyPak 30-ZB45
-	-	15.9	102.0	3	1.23	-	-	19.59	116.76	SkyPak 30-ZB57
-	-	17.5	111.0	2	0.80	-	-	19.10	117.40	SkyPak 40-ZB66
-	-	20.4	118.0	2	0.80	-	-	22.00	124.40	SkyPak 40-ZB76
-	-	20.4	118.0	2	2.3	-	-	25.00	136.40	SkyPak 70-ZB76
-	-	28.2	140.0	2	2.3	-	-	32.80	158.40	SkyPak 70-ZB95
-	-	33.5	174.0	2	2.3	-	-	38.10	192.40	SkyPak 70-ZB114

630EC-HP Fans are 380/420-3-50Hz

Electrical Data

Compressor				Condenser Fan(s)		Condensing Unit Total				Condensing Unit Model
230/1/50		420/3/50		230/1/50		230/1/50		420/3/50		
FLA	LRA	FLA	LRA	N <sup>o</sup>	MRA	FLA	LRA	FLA	LRA	
-	-	6.0	40.0	1	1.23	-	-	7.23	44.92	SkyPak 10-ZF09
-	-	7.1	46.0	1	1.23	-	-	8.33	50.92	SkyPak 10-ZF11
-	-	8.0	51.5	1	1.23	-	-	9.23	56.42	SkyPak 10-ZF13
-	-	7.1	46.0	2	1.23	-	-	9.56	55.84	SkyPak 20-ZF11
-	-	8.0	51.5	2	1.23	-	-	10.46	61.34	SkyPak 20-ZF13
-	-	10.0	64.0	2	1.23	-	-	12.46	73.84	SkyPak 20-ZF15
-	-	12.5	74.0	2	1.23	-	-	14.96	83.84	SkyPak 20-ZF18
-	-	16.0	102.0	2	1.23	-	-	18.46	111.84	SkyPak 20-ZF25
-	-	10.0	64.0	3	1.23	-	-	13.69	78.76	SkyPak 30-ZF15
-	-	12.5	74.0	3	1.23	-	-	16.19	88.76	SkyPak 30-ZF18
-	-	16.0	102.0	3	1.23	-	-	19.69	116.76	SkyPak 30-ZF25



## System Operational Check List

When the system has been running trouble free for an extended time (two weeks or more) and design conditions are satisfied, the following check list should be followed:

- 1) Check that compressor discharge and suction pressures are operating within the allowable design limits for the compressor. If not, take the necessary corrective action.
- 2) Check the liquid line sight glass and expansion valve operation. If there is an indication that the system is low on refrigerant, thoroughly check the system for leaks before adding refrigerant.
- 3) Check the level of the oil in the compressor sight glass (if so equipped). Add oil as necessary.
- 4) The thermostatic expansion valve must be checked for proper superheat settings.
- 5) Check the voltage and amperage readings at the compressor terminals. Voltage reading must be within the recommended guidelines. Normal operating amperages can be much lower than the compressor nameplate values.
- 6) To check the high pressure control setting it is necessary to build up the head pressure to the cut-out point of the control. This can be done by stopping the condenser fan(s) (air cooled condensing units) or pump and watching the pressure rise on a high pressure gauge to make sure the high pressure control is operating at the setting
- 7) Check the low pressure settings by throttling the compressor shut-off valve and allowing the compressor to pump down. This operation must be done with extreme caution to avoid too sudden a reduction in crankcase pressure, which will cause oil slugging and possible damage to the compressor valves. Close the valve a turn at a time while watching the compound gauge for change and allowing time for the crankcase pressure to equalize with the pressure control bellows pressure. The slower the pressure is reduced, the more accurate will be the check on the pressure control setting.
- 8) Recheck all safety and operating controls for proper operation and adjust as necessary.
- 9) If the system is equipped with winter head pressure controls (fan cycling or flooded valves), check for operation.





## End of Life Decommissioning Instructions

Refrigerant: The decommissioning process involves removing the refrigerant from the system which must be carried out by use of a refrigerant recovery unit; the refrigerant must be recovered into a purpose made recovery cylinder. Recovered HFC refrigerant is hazardous waste and must be disposed of under the control of current legislation.

Oil Charge: The compressor will contain oil that is classified as controlled waste and must therefore be disposed of by a licenced waste contractor. Recovered oil cannot be re-used.

System Components: Components such as Filter dries, Sight Glasses, Expansion Valve, Pressure switches, Electrical Control Panel etc. can be re-used if it is deemed that their condition is such that this is economic. If deemed too worn or damaged they must be disposed of in a manner that is compliant with current legislation.

Copper Tube: Copper tube removed from an installation is likely to be contaminated with oil and impurities and should therefore be re-cycled via a licenced scrap metal dealer.

Electrical Installation: Once decommissioned and all equipment has been removed from site the electrical supply apparatus must be left in a safe condition.