

# PrediktIR

## For Bulk Materials Applications



On-Line near infrared moisture measurement with the pedigree of stability for process control & monitoring



- ▶ Enhance Product Quality & Consistency
- ▶ Reduce Waste
- ▶ Faster Start-up & Product Change Times
- ▶ Increase Process Productivity

# On-Line Measurements That Can Be Trusted

NDC Technologies brings its world renowned NIR technology experience of over 40 years to bulk materials processors with tight budgets and the requirements are for the most part moisture measurements.

For years, generic instrumentation suppliers have offered moisture gauges which promise measurements at a low price. However, in practice, experience has not met expectation: these gauges need regular re-calibration, have poor measurement accuracy and instrument stability which limit their application where process control or even simple monitoring is important.

These same suppliers have said that for process monitoring gauge accuracy is not important. In reality, where measurement only is the chosen strategy, process adjustment decisions will be taken based upon the output of the gauge to manually adjust the process. Otherwise, why measure on-line at all. As such, reliable instrument performance is vital!

Now NDC offers, through PrediktIR, a dependable, stable and accurate on-line measurement which allows processes to be tightly and consistently controlled manually or automatically with confidence.

Our pedigree of solid long-term instrument stability, no effects from ambient condition changes and tolerance to process physical changes (such as pass height) are all offered in PrediktIR so that end users can see the benefits of on-line process gauging and achieve an enduring return on investment and contribution to their bottom line.

Users around the world have come to trust the NDC brand, and with more than 30,000 instruments installed our presence is truly global in a huge range of applications and customers.



## Key benefits of on-line measurement:

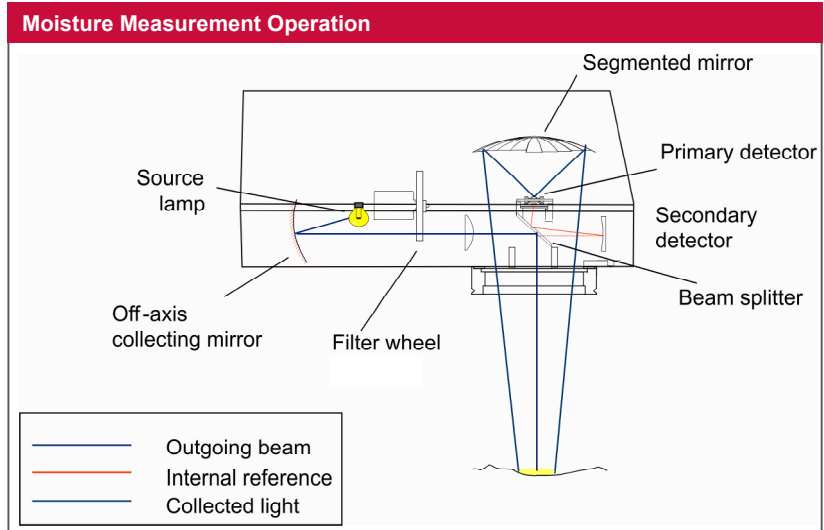
- ▶ Reducing waste or scrap
- ▶ Improving product quality and consistency and gaining a competitive advantage
- ▶ Faster start-up and product change times
- ▶ Increasing product yield through closer operation to the product specification
- ▶ Ensuring optimal product sensory characteristics through not over-drying
- ▶ Ensuring legislative compliance and meeting safety standards
- ▶ Avoiding risk of fire or explosive damage through not over drying

# How PrediktIR Measures Moisture

Proven technology for proven results

PrediktIR is based upon NDC Technologies' proven optical filter technology. Light at a specific wavelength is absorbed by moisture. The rotating filter wheel projects pulses of light at this wavelength, and other reference wavelengths not absorbed by moisture, onto the product. Some of this light is absorbed and the rest is scattered/reflected. The gauge light collecting optics focus the reflected intensities onto a detection system which compares the amount of moisture absorption with the reference wavelengths providing a measurement independent of pass height variations, changes in source lamp intensity and atmospheric dust.

Algorithms convert the infrared signals into an output that is proportional to moisture content and calibration is carried out using the normal slope and intercept (Span and Trim) controls to achieve agreement with the customer's primary reference method. The measurement speed is very fast (over 60Hz) and therefore delivers a continuous measurement of moisture which can be output by 4-20 mA analogue devices or using serial bus or Ethernet protocols to the process computer.



## Key Applications

### Bulk Materials:

- Biomass
- Bagasse
- Wood chips

### Chemicals, Minerals and Building Materials:

- Ceramic powders
- Sinter mix
- Bauxite
- Dolomite
- Phosphates
- Nitrates
- Limestone
- Clay
- Sand
- Concrete mixes
- Power station fly ash
- Sodium carbonate
- Flourspar



If you do not see your application listed, please contact us.

# PrediktIR In The Process

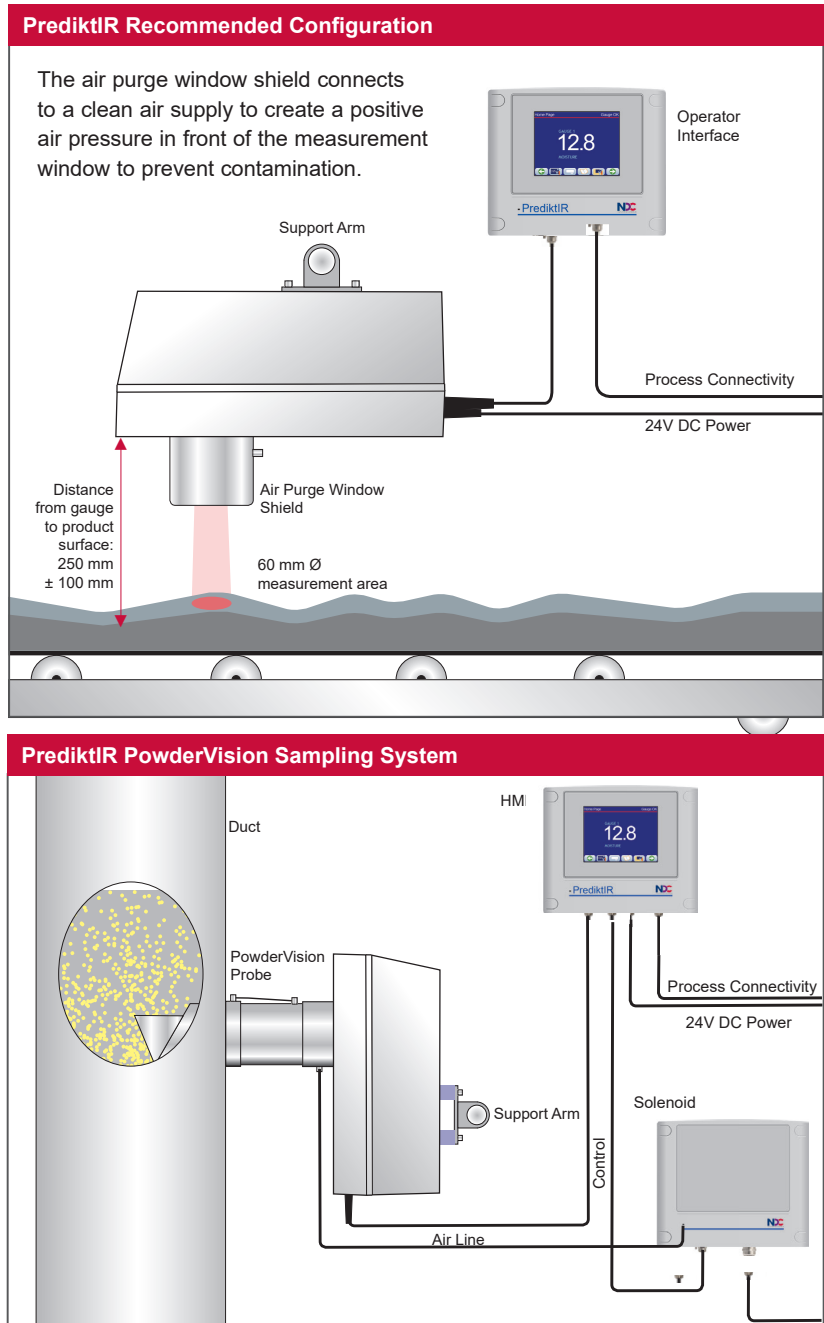
## Gauging configurations and installation

PrediktIR in its most basic configuration is supplied as a single gauge with Operator Interface (OI), with 10m of interconnecting cable. It is also available in a dual gauge configuration both connected into a single OI. These dual configurations allow for the most common single-point measurements, for example after a dryer or conditioner. With dual heads, measurements before and after a drying or conditioning process can be monitored.

The gauge as standard is supplied with an **Air Purge Window** to keep the sapphire optics free of dust and other volatile contaminants. In line with best practices, window contamination can be monitored as standard and alarms output to a PLC in the event routine maintenance has been neglected.

**PrediktIR can be installed easily** in most processes and as a non-contact measurement it is typically installed above a conveyor belt carrying the product.

In cases where the product is transported in enclosed ducts, NDC has a number of sampling systems including **PowderVision** which allows access to the product in gravity-fed ducts. For high-temperature environments, the gauge head can be cooled using an integral Vortex cooler attached to the side of the casing allowing it to operate in temperatures up to 80°C (176°F).

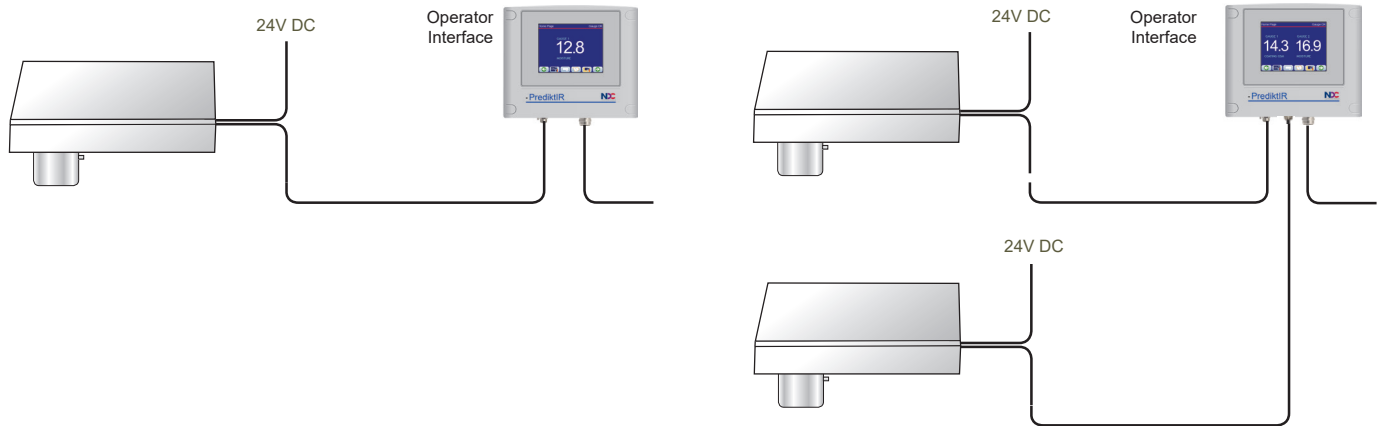


# PrediktIR Specifications

<b>Source Lamp</b>	Quartz halogen 20 W underrun, lifetime >40,000hrs
<b>Filter Wheel Motor</b>	24 V brushless DC
<b>Operating Temperature Range</b>	0-45°C (32-113°F)
<b>Gauge and IO</b>	10 m of interconnecting cable between gauge and OI, Cat 5e LAN cable
<b>Power Consumption</b>	35 W (Gauge and Operator Interface)
<b>Head Construction</b>	Stainless steel with Air Purge Window
<b>Response Time</b>	2-1000 seconds configurable
<b>Measurement Speed</b>	63 Hz
<b>Environment</b>	Gauge & OI IP65/Nema 4
<b>Optical Window</b>	Sapphire
<b>Moisture Range</b>	0-95% depending on application
<b>Process Connectivity</b>	4-20 mA standard, 8 Digital Inputs (Opto-Isolated), 8 Digital Outputs (FET Driven)
<b>Optional</b>	Ethernet IP, ProfiNet, Modbus TCP, Profibus, DeviceNet all from OI
<b>CE compliant</b>	EMC EN61326

## System Configuration

Configuration includes one or two gauges, stainless steel with Air Purge Window(s), connected to an Operator Interface (OI) with 1/4 VGA colour touch screen and Universal Power Supply delivering 24V DC with 10m of cable to gauge and OI.



# Company overview

## Combining industry-best performance and reliability with a global support structure

NDC Technologies, headquartered in Irwindale, California, designs, develops and produces a wide range of process measurement and control instrumentation for a broad scope of manufacturing industries.

NDC has manufacturing facilities in California, Dayton, Ohio and Maldon, UK, with centers of excellence at each of these locations including Loncin, Belgium. In addition, there are direct sales and support facilities in China, Japan, France, Germany and Italy. There is also a highly trained network of Sales and Service distribution channels in more than 60 countries around the world.

NDC Technologies is structured to serve its key industry segments with two distinct business units:

### ► Food, Bulk and Packaging

In packaging, NDC provides basis weight, thickness, coat weight and moisture measurement and control systems for a diverse array of applications in the converting and film extrusion industries and also provides solutions for customers in nonwovens and calendering.

For the food and bulk industries, NDC delivers both on-line and at-process analyzers for the measurement of key constituents such as moisture, fat, oil and protein. NDC's broad spectrum of measurement solutions are used in the food, chemicals, minerals building materials, pharmaceutical and tobacco industries.

### ► Cable, Metals and Tubing

In the steel and aluminium industries, NDC offers advanced solutions for the measurement of thickness, width, flatness, edge shape, coatings, and length and speed of sheet and long casted products.

NDC serves the wire, cable, fiber optic, pipe and tube industries with a broad portfolio of on-line and off-line measurement and control solutions for the dimensional monitoring of diameter, ovality, wall thickness, eccentricity, length and speed, and other parameters.



NDC Technologies is represented in over 60 countries worldwide. [www.ndc.com](http://www.ndc.com)

a **spectris** company

**NDC Americas**  
Tel: +1 626 960 3300  
Email: [info@ndc.com](mailto:info@ndc.com)

**NDC Belgium**  
Tel: +32 4 239 90 10  
Email: [sales@ndcinfraed.be](mailto:sales@ndcinfraed.be)

**NDC Japan**  
Tel: +81 3 3255 8157  
Email: [ndcjapan@ndc.com](mailto:ndcjapan@ndc.com)

**NDC Italy**  
Tel: +39 0331 454 207  
Email: [ndcitaly@ndc.com](mailto:ndcitaly@ndc.com)

**NDC India**  
Tel: +91 9890800697  
Email: [ndcindia@ndc.com](mailto:ndcindia@ndc.com)

**NDC United Kingdom**  
Tel: +44 1621 852244  
Email: [enquiries@ndc.com](mailto:enquiries@ndc.com)

**NDC China**  
Tel: +86 21 6113 3609  
Email: [info@ndcinfraed.com.cn](mailto:info@ndcinfraed.com.cn)

**NDC Germany**  
Tel: +49 1801 977112  
Email: [ndcgermany@ndc.com](mailto:ndcgermany@ndc.com)

**NDC Singapore**  
Tel: +65 91994120  
Email: [apacsales@ndc.com](mailto:apacsales@ndc.com)



In line with its policy of continuous improvement, NDC reserves the right to revise or replace its products or services without prior notice. The information contained in this document may not represent the latest specification and is for indicative purposes only.

Document Number: FB-BROC-SENS-PrediktIR-2016JAN01  
Date of Issue: January 2016  
© NDC Technologies 2016