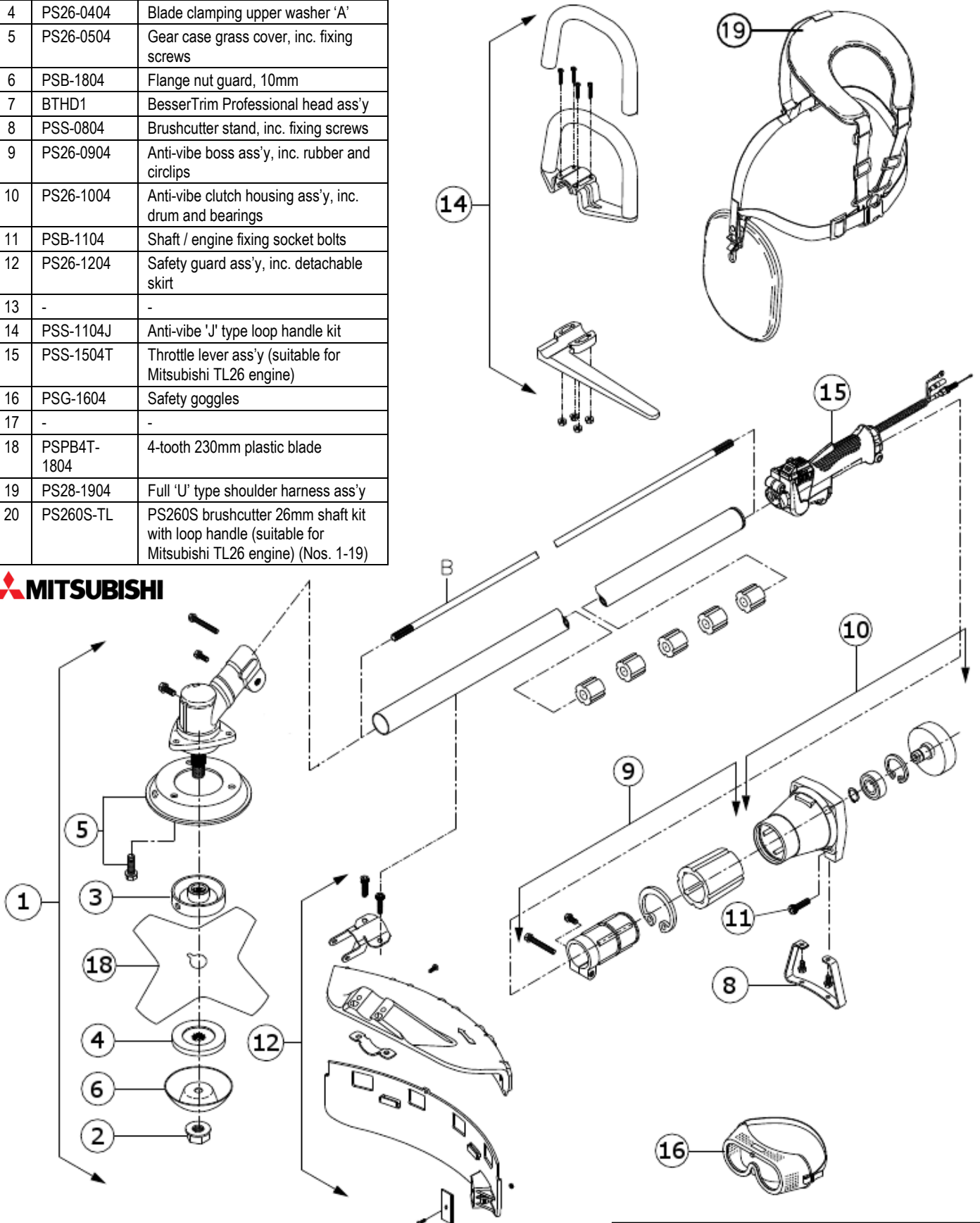




No	Part No.	Description
1	PS26-0104	Gear case ass'y (Nos. 2-6)
2	PS10-0204	Blade locking nut 10mm L/H
3	PS26-0304	Blade clamping lower washer 'B'
4	PS26-0404	Blade clamping upper washer 'A'
5	PS26-0504	Gear case grass cover, inc. fixing screws
6	PSB-1804	Flange nut guard, 10mm
7	BTHD1	BesserTrim Professional head ass'y
8	PSS-0804	Brushcutter stand, inc. fixing screws
9	PS26-0904	Anti-vibe boss ass'y, inc. rubber and circlips
10	PS26-1004	Anti-vibe clutch housing ass'y, inc. drum and bearings
11	PSB-1104	Shaft / engine fixing socket bolts
12	PS26-1204	Safety guard ass'y, inc. detachable skirt
13	-	-
14	PSS-1104J	Anti-vibe 'J' type loop handle kit
15	PSS-1504T	Throttle lever ass'y (suitable for Mitsubishi TL26 engine)
16	PSG-1604	Safety goggles
17	-	-
18	PSPB4T-1804	4-tooth 230mm plastic blade
19	PS28-1904	Full 'U' type shoulder harness ass'y
20	PS260S-TL	PS260S brushcutter 26mm shaft kit with loop handle (suitable for Mitsubishi TL26 engine) (Nos. 1-19)



Representation only - not to scale