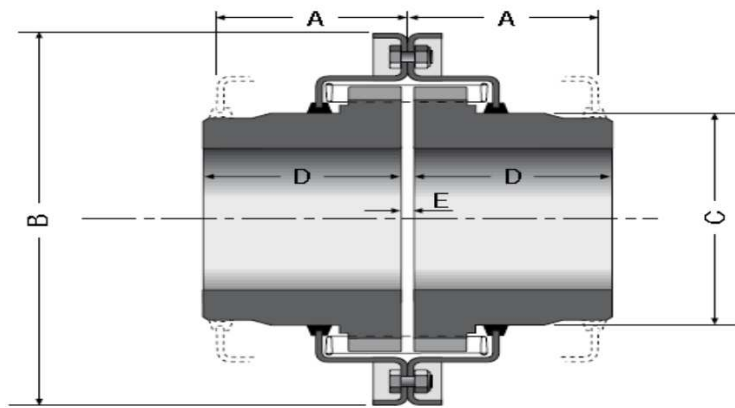
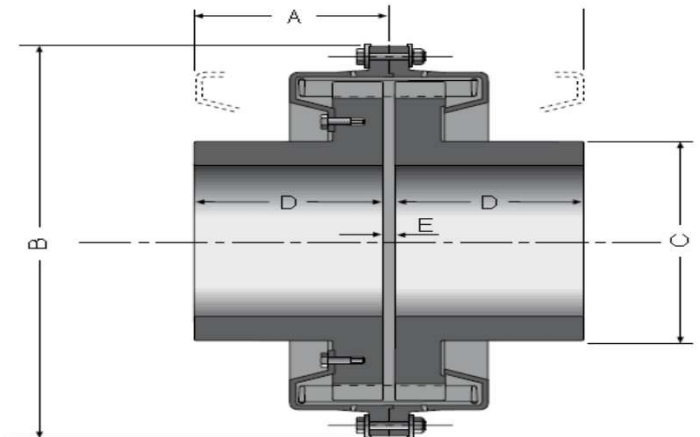


- Vertically Split Cover
- General purpose
- Maintenance friendly covers minimizes downtime
- Ideal for limited space applications



5413 - 5430



5431 - 5443

Coupling Size	Coupling Rating Nm	Max Bore mm	A mm	B mm	C mm	D mm	E Gap mm	Weight Kg	Max Speed Rpm
5411	48	36	50	100	36	50	1	1.53	6000
5413	135	56	50	120	56	50	1	2.95	5500
5415	230	80	50	145	80	50	1	5.29	5000
5417	640	89	75	175	89	75	1	1066	4500
5419	990	110	75	195	110	75	1	15.17	4250
5421	1790	143	75	230	143	90	1	27.76	3750
5423	4630	139	120	260	139	120	1.5	40.6	3500
5425	7120	184	120	305	184	120	1.5	63.7	3250
5427	10300	238	120	360	238	130	1.5	108.9	2750
5429	21400	293	150	425	293	140	2.5	195	2400
5430	36300	293	150	425	293	175	2.5	232	2400
5431	51600	265	196	530	265	200	3	287	1450
5433	67800	300	218	590	300	215	3	385	1300
5435	93600	330	228	640	330	240	3	510	1200
5437	125000	370	228	680	370	260	3	662	1100
5439	170000	415	248	780	415	280	3	906	980
5441	226000	455	302	870	455	305	6	1282	860
5443	306000	580	302	1010	580	325	6	1970	740

Notes...