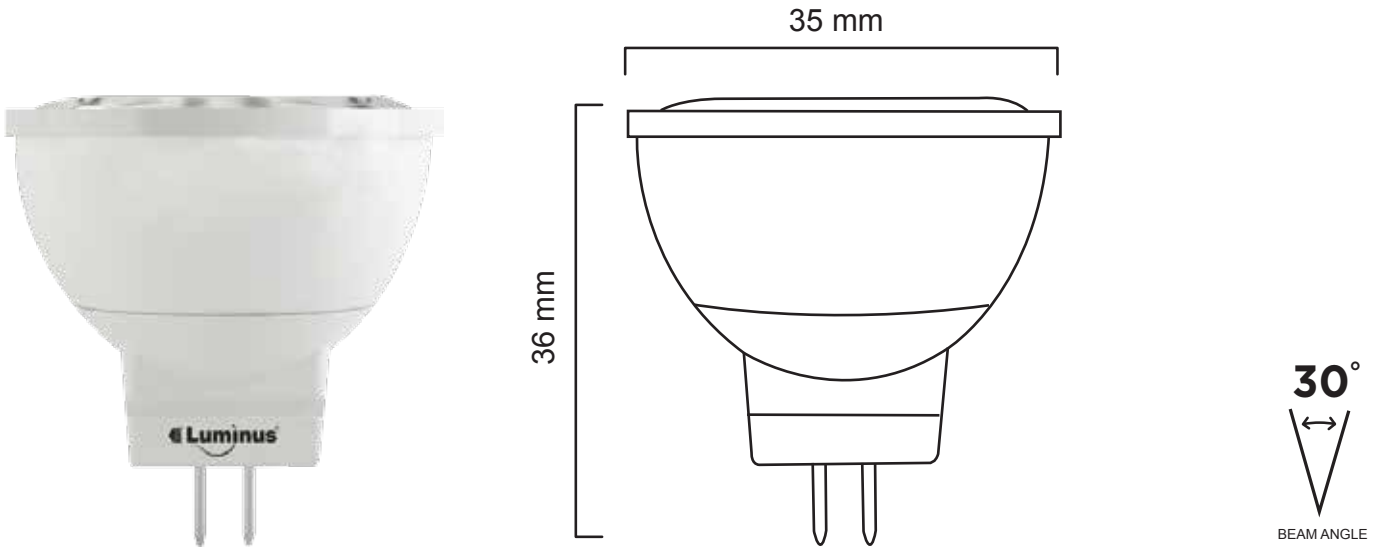


SPOTLIGHTS: MR11 LED Light Bulb



PRODUCT INFORMATION

GENERAL INFORMATION

Item #	PLYC1953
Base Type	MR11
Bulb Shape	MR11
Avg Life (hours)	20,000
Dimmable	No
Weight	20.5 grams
Voltage	120V
Energy Star Certified	No

Luminus LED MR11 light bulbs are Multifaceted Reflector bulbs that produce a narrow soft edged and precise beam of light. These bulbs have a 30° beam angle and produces a bright white light (3000K).

Luminus LED MR11 bulbs are typically used for architectural lighting applications, retail applications, and are the perfect replacement solution for 25 watt halogen bulbs

TECHNICAL CHARACTERISTICS

Color Designation	Bright White
Correlated Color Temperature	3000 K
Rated Luminous Flux (lm)	200
Wattage	3w
Replaces	25
Luminous Efficiency	67 Lm/W
CRI	>80
Beam Angle	30°
Colour Consistency	7 steps
Line Frequency	5-60Hz
LLMF	70%

This device complies with part 15 of the FCC Rules. Operation is subject to the following conditions: (1) This device may not cause harmful interference, and (2) this device must accept any interference received, including interference that may cause undesired operation.

DATA SUBJECT TO CHANGE WITHOUT NOTICE.
Trademarks are the property of Luminus® or their respective owners.
November 2014
1-877-333-0098
www.conglom.com/luminus