

Burgess Standard Size Metal Cased Micro Switches

4BR



Actuator Spring plunger with cowl protection. Heavy-duty roller-lever auxiliary actuator available if required – see page 155

Mechanism Single-pole, changeover

Terminals Three 6BA screws with captive

washers behind removable insulated cover

Case Metal

Electrical Rating Recommended maximum 15A on 125 or 250 Vac. Full ratings on page 53 (Table 1)

Free Position (max) 40.8 mm 1.6 in

Operating Position 39.3 1.55 in

Movement Differential (max) ±0.4 mm

Available Overtravel 0.08 mm 0.003 in

Actuating Force (max) 4.6 mm 0.18 in

Release Force (min) 7.2 N 26 ozf

Mechanical Life Between 1 and 10 million operations

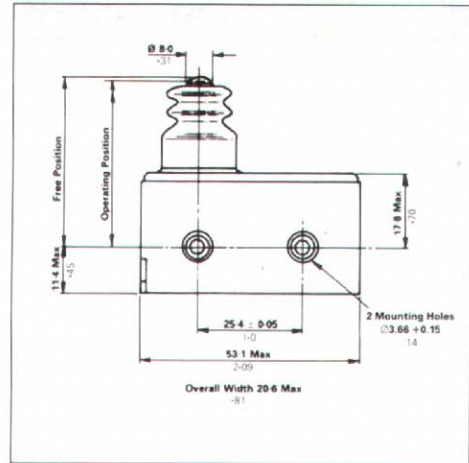
Enclosure Mechanism only: IP54

Temperature -10° to +85°C

Weight 90 g max

Approvals Please contact Burgess for latest information

This model and similar models are described in detail on pages 52-53



4BR/510



Actuator Stainless steel spring plunger with cowl protection

Mechanism Single-pole, changeover

Terminals Three 6BA screws with captive washers behind removable insulated cover

Case Metal. Mechanism sealed

against ingress of moisture

Electrical Rating Recommended maximum 15A on 125 or 250 Vac. Full ratings on page 53 (Table 1)

Free Position (max) 40.8 mm 1.6 in

Operating Position 39.3 1.55 in

Movement Differential (max) ±0.4 mm

Available Overtravel 0.08 mm 0.003 in

Actuating Force (max) 4.6 mm 0.18 in

Release Force (min) 7.2 N 26 ozf

Mechanical Life Between 1 and 10 million operations

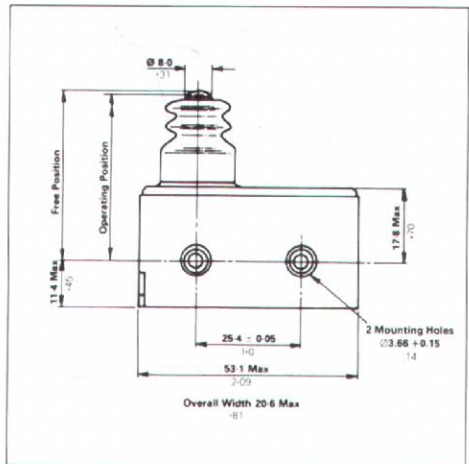
Enclosure Mechanism only sealed and pressure tested: IP67, NEMA type 6

Temperature -10° to +85°C

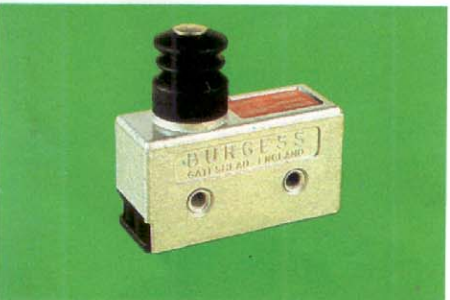
Weight 90 g max

Approvals Please contact Burgess for latest information

This model and similar models are described in detail on pages 52-53



4CR



Actuator Spring plunger with cowl protection. Compared with 4BR and 4BR/510 above, the plunger is offset by 2.0 mm (0.08 in)

Mechanism Single-pole, changeover

Terminals Three 6BA screws with captive washers behind removable cover

Case Metal

Electrical Rating Recommended maximum 15A on 125 or 250 Vac. Full ratings on page 53 (Table 1)

Free Position (max) 40.8 mm 1.6 in

Operating Position 39.3 1.55 in

Movement Differential (max) ±0.4 mm

Available Overtravel 0.025 mm 0.001 in

Actuating Force (max) 4.6 mm 0.18 in

Release Force (min) 3.9 N 14 ozf

Mechanical Life Between 1 and 10 million operations

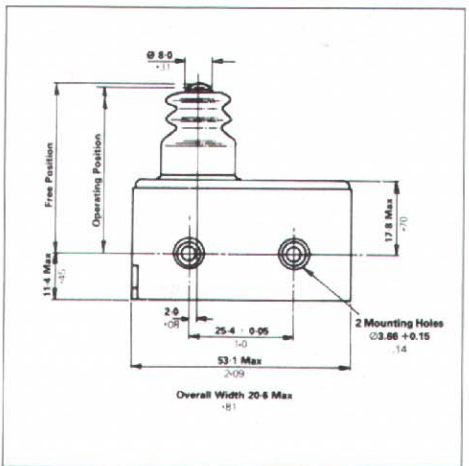
Enclosure Mechanism only: IP54

Temperature -10° to +85°C

Weight 96 g max

Approvals Please contact Burgess for latest information

This model and similar models are described in detail on pages 52-53



4CR7



Actuator Spring plunger with cowl protection

Mechanism Single-pole, changeover. Wide contact separation

Terminals Three 6BA screws with captive washers behind removable cover

Case Metal

Electrical Rating Recommended maximum 15A on 125 or 250 Vac. Full ratings on page 53 (Table 2)

Free Position (max) 40.8 mm 1.6 in

Operating Position 39.14 1.54 in

Movement Differential (max) ±0.38 mm

Available Overtravel 0.165 mm 0.0065 in

Actuating Force (max) 4.6 mm 0.18 in

Release Force (min) 11 N 40 ozf

Mechanical Life Between 10,000 and 100,000 operations

Enclosure Mechanism only: IP54

Temperature -10° to +85°C

Weight 96 g max

This model and similar models are described in detail on pages 52-53

