

STEIGER® T 510 HF

HEIGHT
performance
highflex

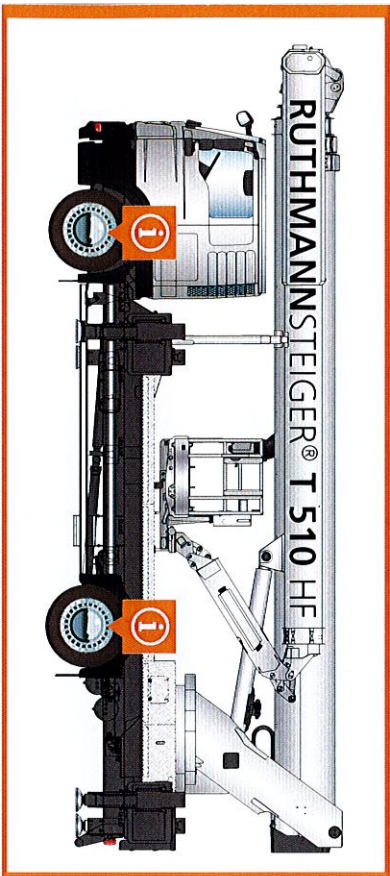

RUTHMANN
professionals at work

STEIGER® T 510 HF



REVOLUTION in the 18 t class!

WORLD RECORD with true added value!

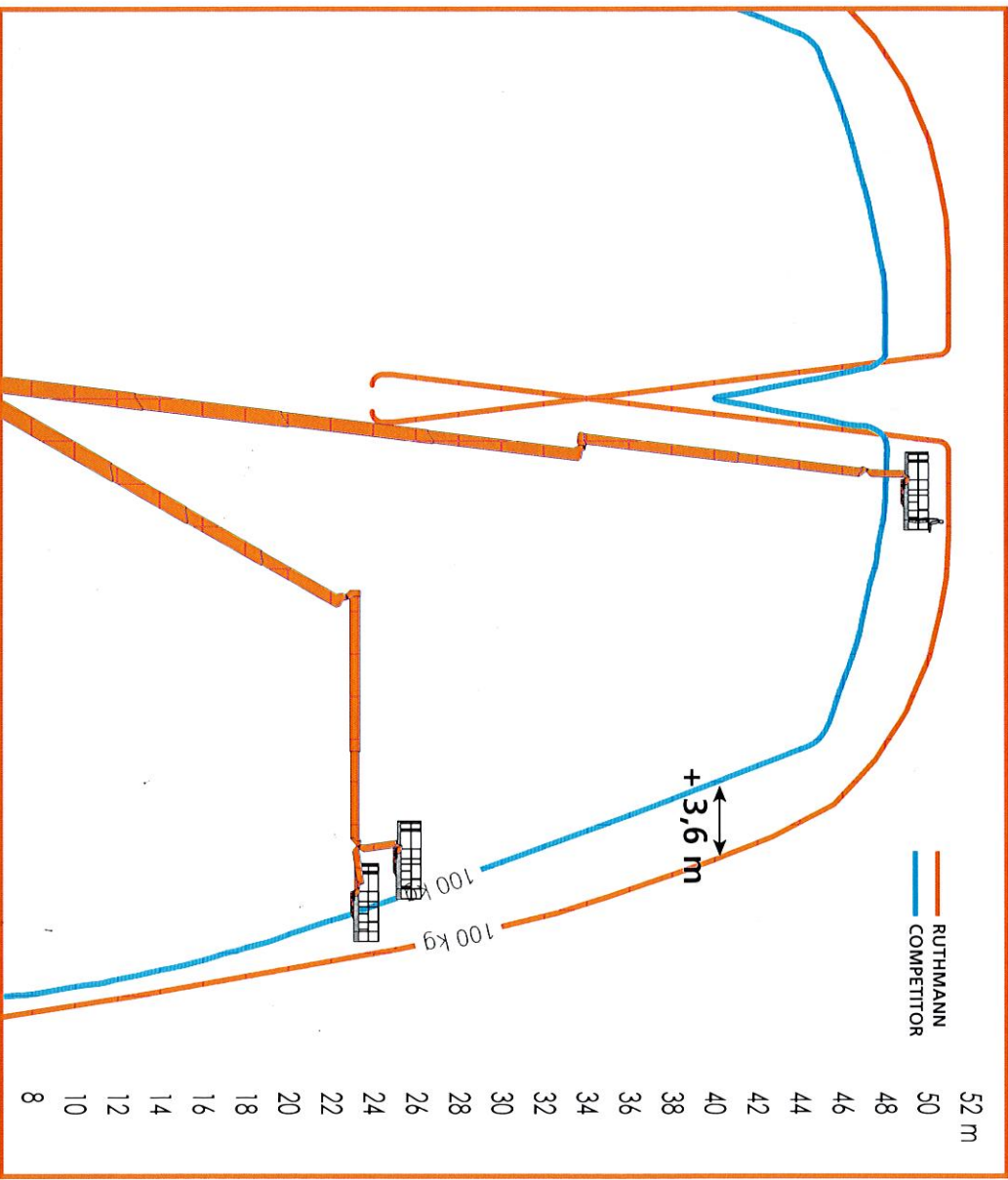


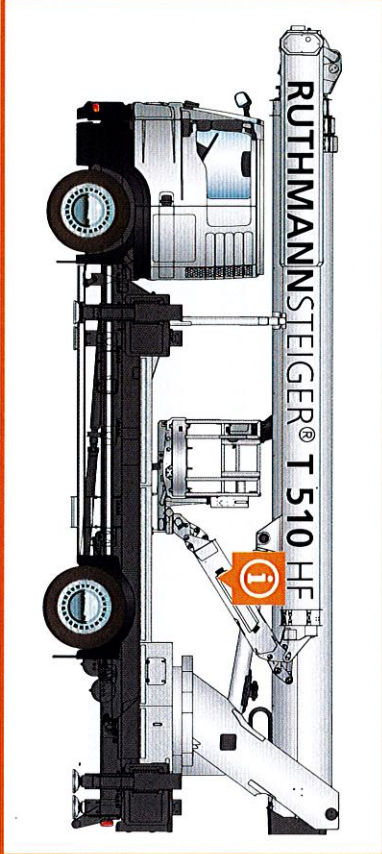
PERFORMANCE DATA *

- +** 51 m working height → 3 m MORE
- +** 33 m outreach → 2 m MORE
- +** 2° inclination
- +** Total length only 10.40 m
- +** max. height 3.99 m → 4x4
- +** 83° angle of elevation → 2° MORE

*depending on mounts and features

i World record - **POWER** on 2 axes (18 t to 21 t chassis)
A new working height class has been made possible > 50 m
Enormous cost and performance benefits





Significantly **MORE** flexibility in use with the **highflexRÜSSEL®** (jib)



220°

True angle of the RÜSSEL®'s (jib) due to optimized articulating telescopic basket

10° MORE



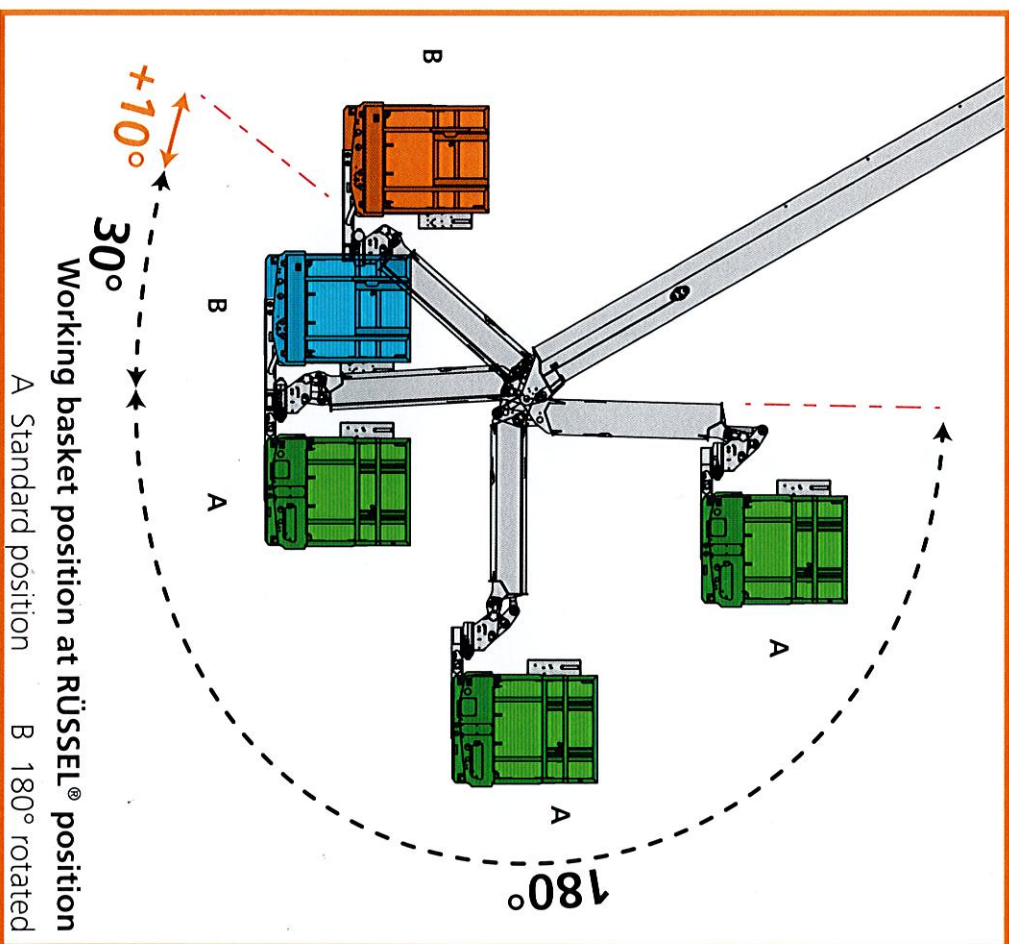
2.0 m RÜSSEL®-length (jib)
therefore 6 m object flexibility

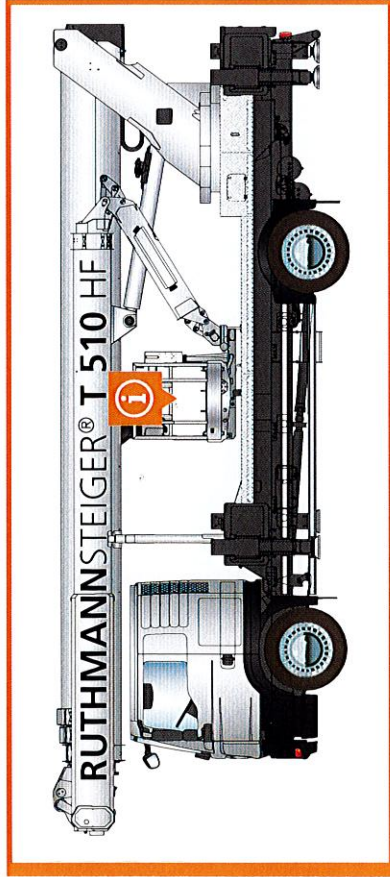
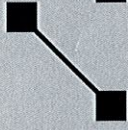


40° MORE RÜSSEL® (jib) rotation
compared to T 460/480



'Standing' working basket perfect for 'under and up' as well as all possibilities of 'up and over and back' during lowered RÜSSEL®





MORE flexibility in use with the highflex working basket



440°

MAXIMUM BASKET ROTATION ANGLE



2 x 220° working basket rotation

+ 40° MORE



Perfect for 'up and over and back'
to work perfectly from the rear side of objects



Biggest working basket available on the market

3.82 x 0.97 m fully telescoped



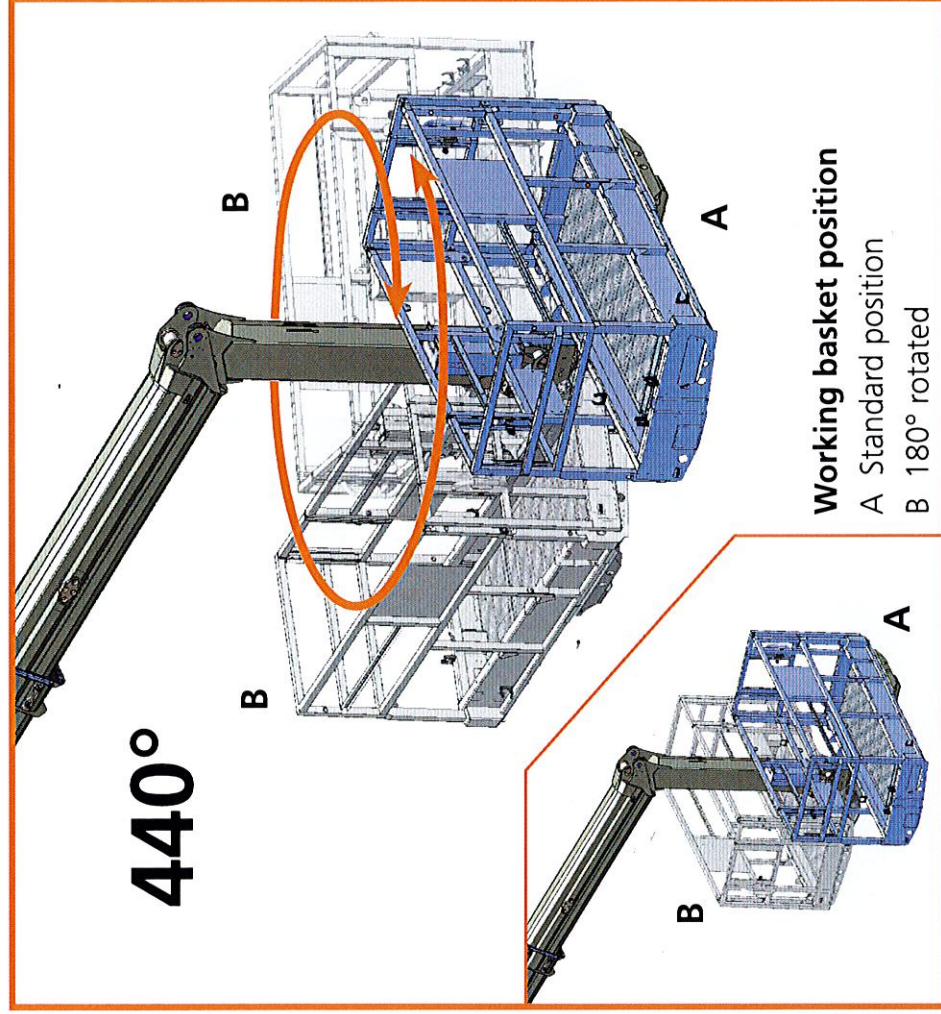
600 kg working basket load



Few interference factors under working basket



All positions also reachable with extended working basket



440°

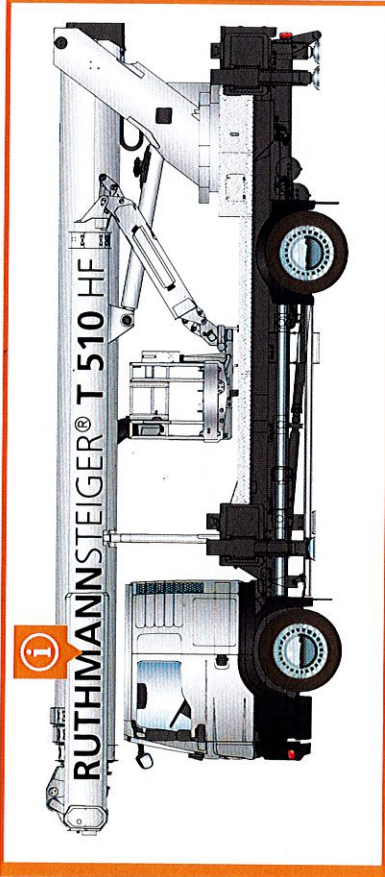
Working basket position

A Standard position

B 180° rotated



STEIGER® T 510 HF



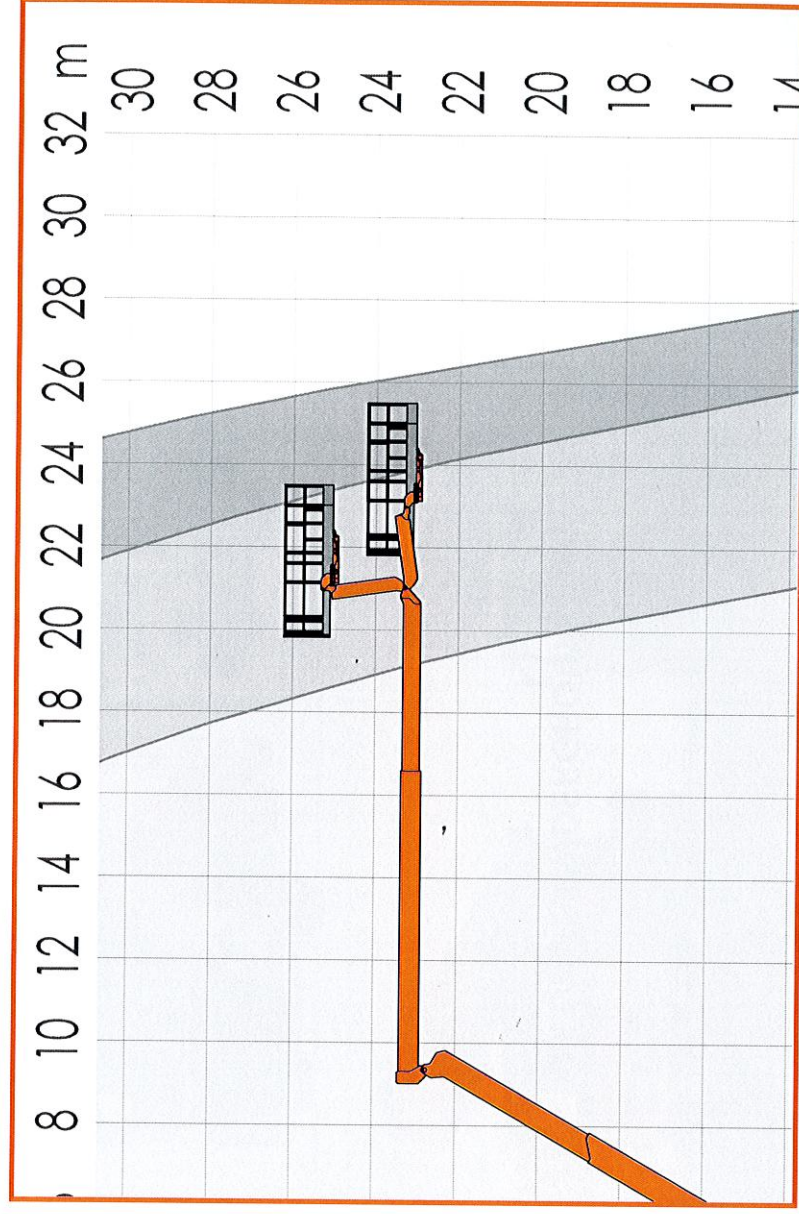
Once again **the upper boom length** has been increased for even more outreach in the elevated direction

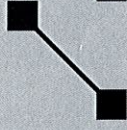


+ 18.25 m

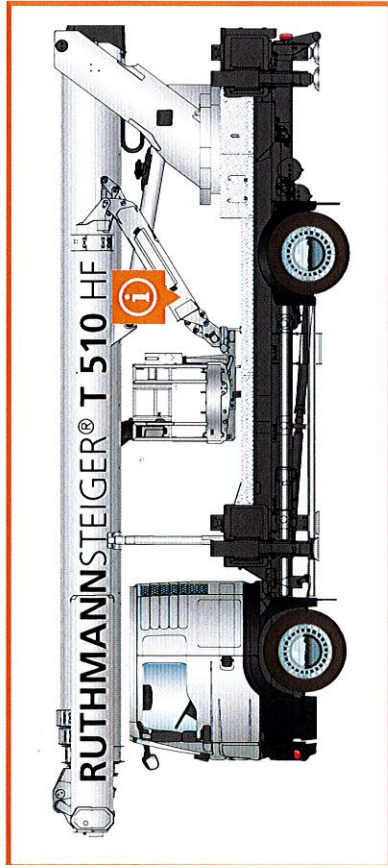
TOTAL HORIZONTAL RANGE OF
THE UPPER BOOM

**+ still + 2.5 m more
against T 460/480**

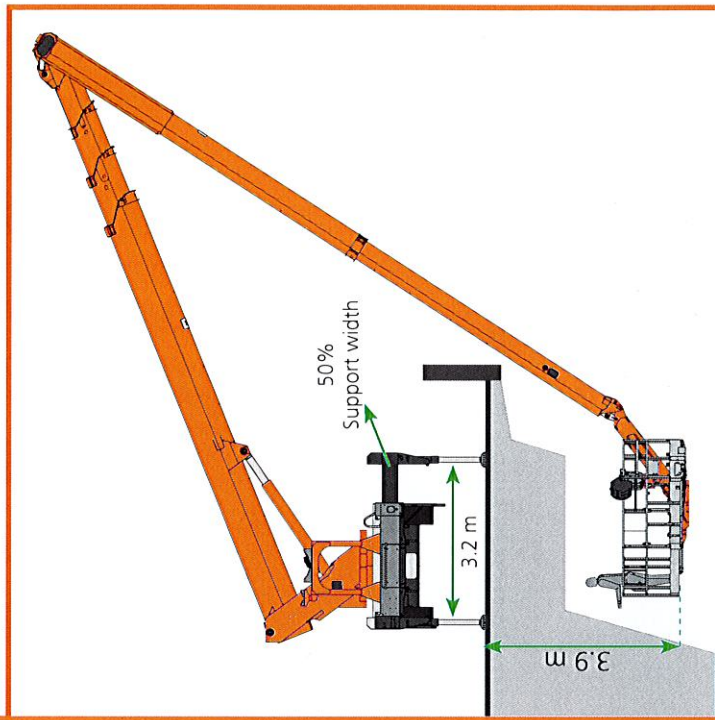
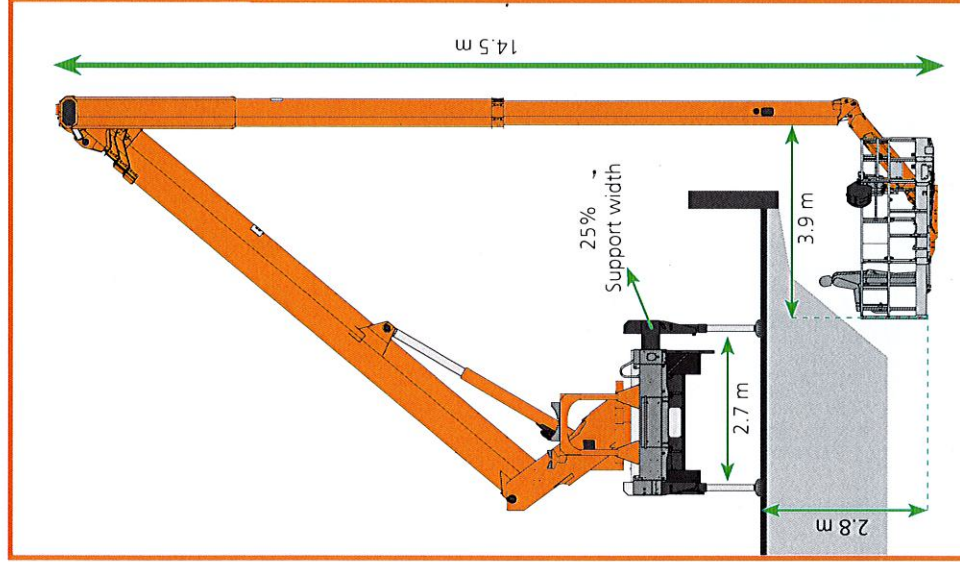




STEIGER® T 510 HF



still MORE UNDERGROUND power



12 m

Total underground 'working depth'



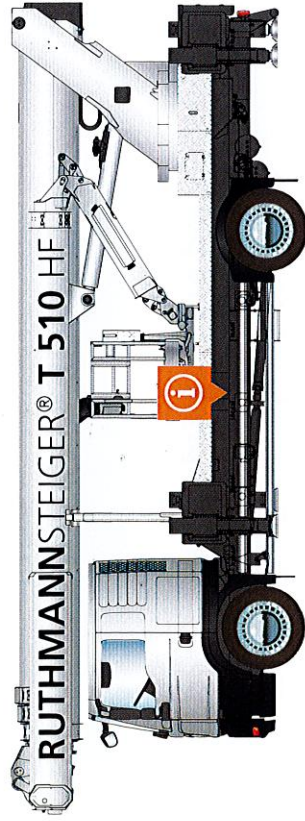
+ 4.5 m even more than the T 460/480



Extremely dynamic as 440° basket rotation angle







brings the basket up to 1.2 m closer to the object than any comparable competitor's offer ('standing' working basket)



MORE chassis selection is not possible!
We meet (almost) all your wishes!

CHASSIS SELECTION POSSIBILITIES

-  All major brands
-  Drive: 4x2, 4x4
-  Also possible with 4x4 < 3.99 m total height
-  Standard or long driver's cabin



IVECO

DAF

MAN

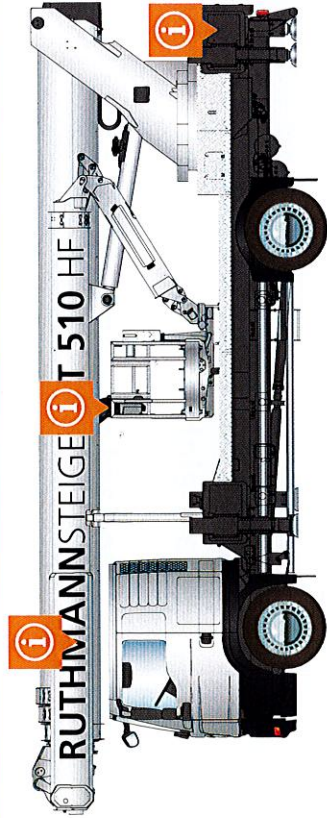


SCANIA



Mercedes-Benz

STEIGER® T 510 HF



Even **MORE HEIGHT** performance features and benefits



DIVERSE DRIVING POSITIONS FOR THE SUPPORTS

Working basket – vehicle rear (left + right) – Second control



COCKPIT (control unit in the working basket)



Component equality in comparison to other models brings **SURPLUS** value with

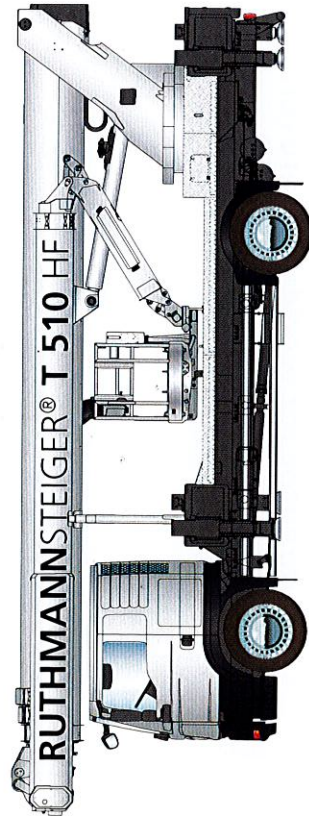


+ Service/maintenance



+ Supply of spare parts and availability



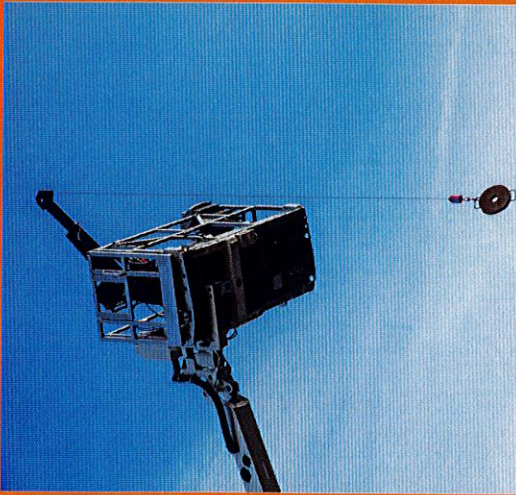
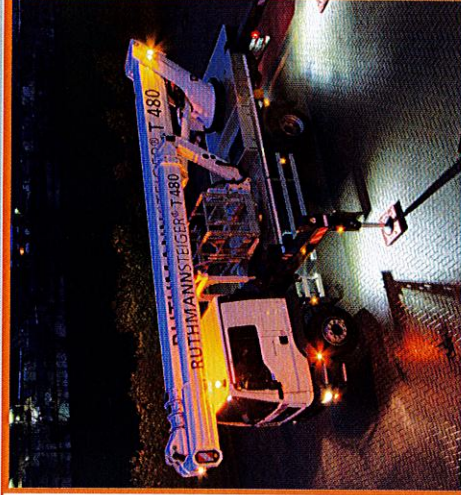


MORE possibilities with the
special features **HEIGHT**
performance



HERE SOME EXAMPLES:

- 🔧 Hybrid drive
- 🔧 Ambient lighting
- 🔧 Folding seat
- 🔧 Camera basket
- 🔧 Lift-up system
- 🔧 Material winch
- 🔧 Diverse heating systems in the working basket
- 🔧 hyCLEANER adaption
- 🔧 Underlay plates for supports
- 🔧 Box structures on load area
- 🔧 and much, much more!



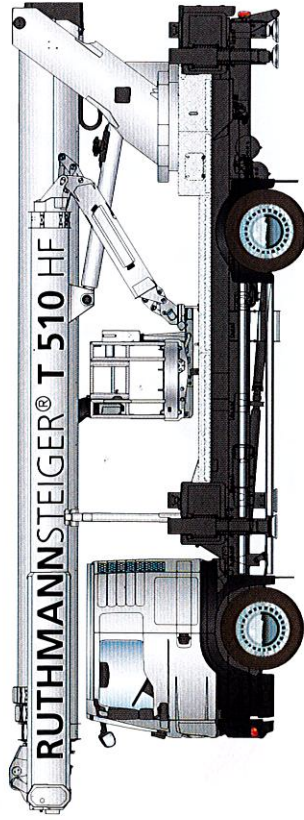
More for
your STEIGER®

Come and find our more now!

HEIGHT
performance
highflex

STEIGER® T 510 HF

RUTHMANN
professionals at work



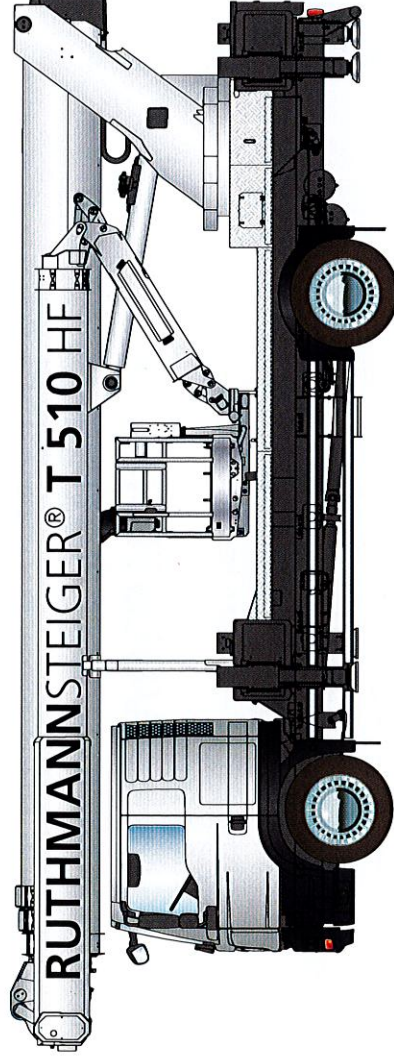
Consistent continuation of innovative HEIGHT performance-series

REVOLUTION

RUTHMANN's EVOLUTION =
Reaching product innovations by
creative ideas and experience –
characterized by onward
development with
SURPLUS value



The **REVOLUTION** in the 50 m class!



Benefits Overview

- World record performance data
- 51 m working height
- 33 m outreach
- On 2-axes-chassis
- New highflexRÜSSEL® -> 220° Range of motion
- New highflex working basket -> 440° swivelling area
- Further extended upper boom
- Multi-chassis possibilities: Brands, driver's cabin variants and drive types (4x4 four-wheel drive or 4x2)
- Current control and operating technology (COCKPIT)
- Comprehensive optional special features
- A great number of national and international references

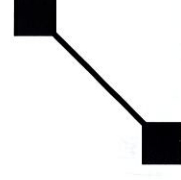
STEIGER® T 510 HF

Ruthmann GmbH & Co. KG

Von-Braun-Straße 4
48712 Gescher-Hochmoor
GERMANY

Phone: +49 2863 204-0
Fax: +49 2863 204-212

Internet: www.ruthmann.de
E-mail: export@ruthmann.de



RUTHMANN
professionals at work