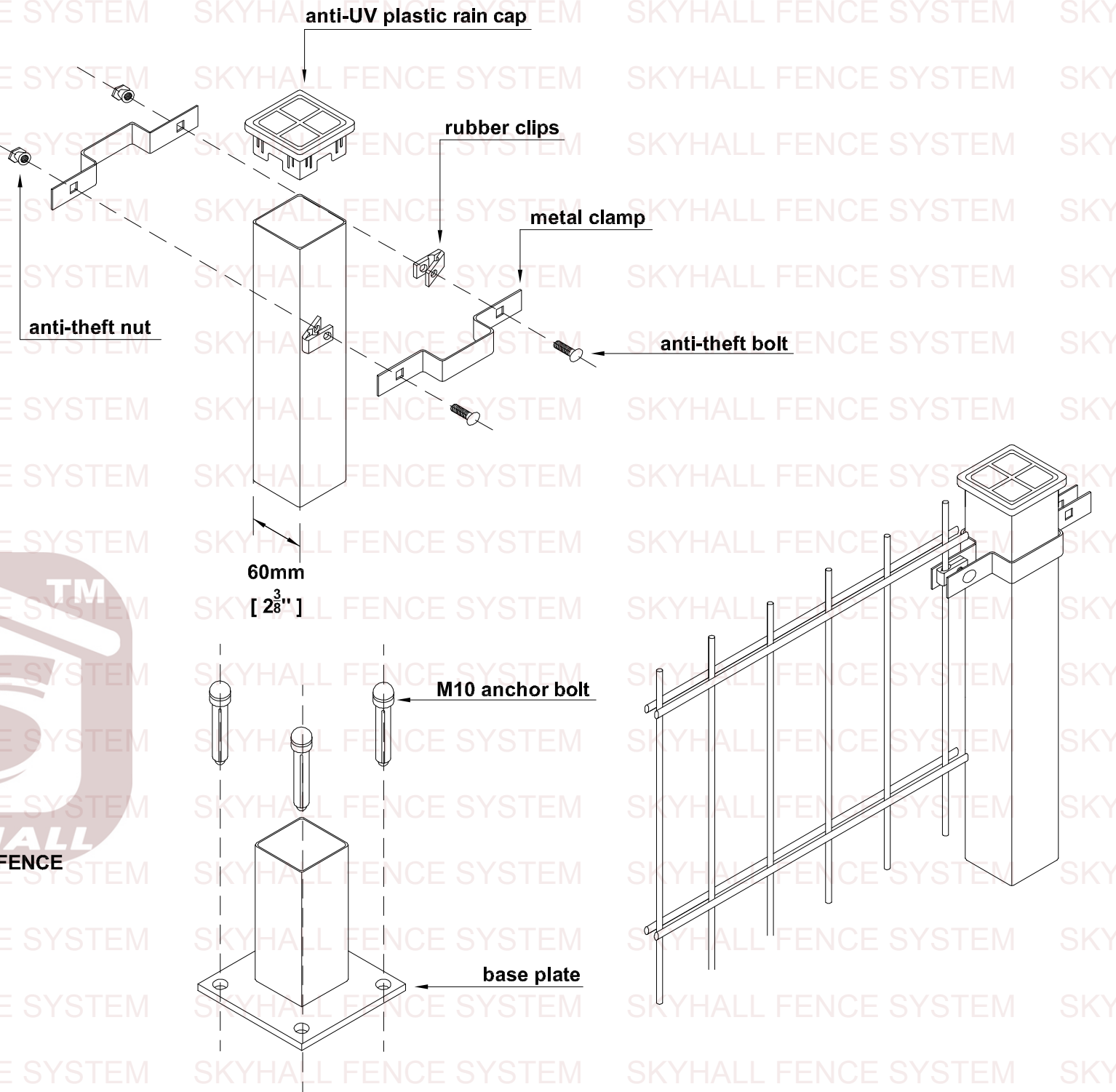
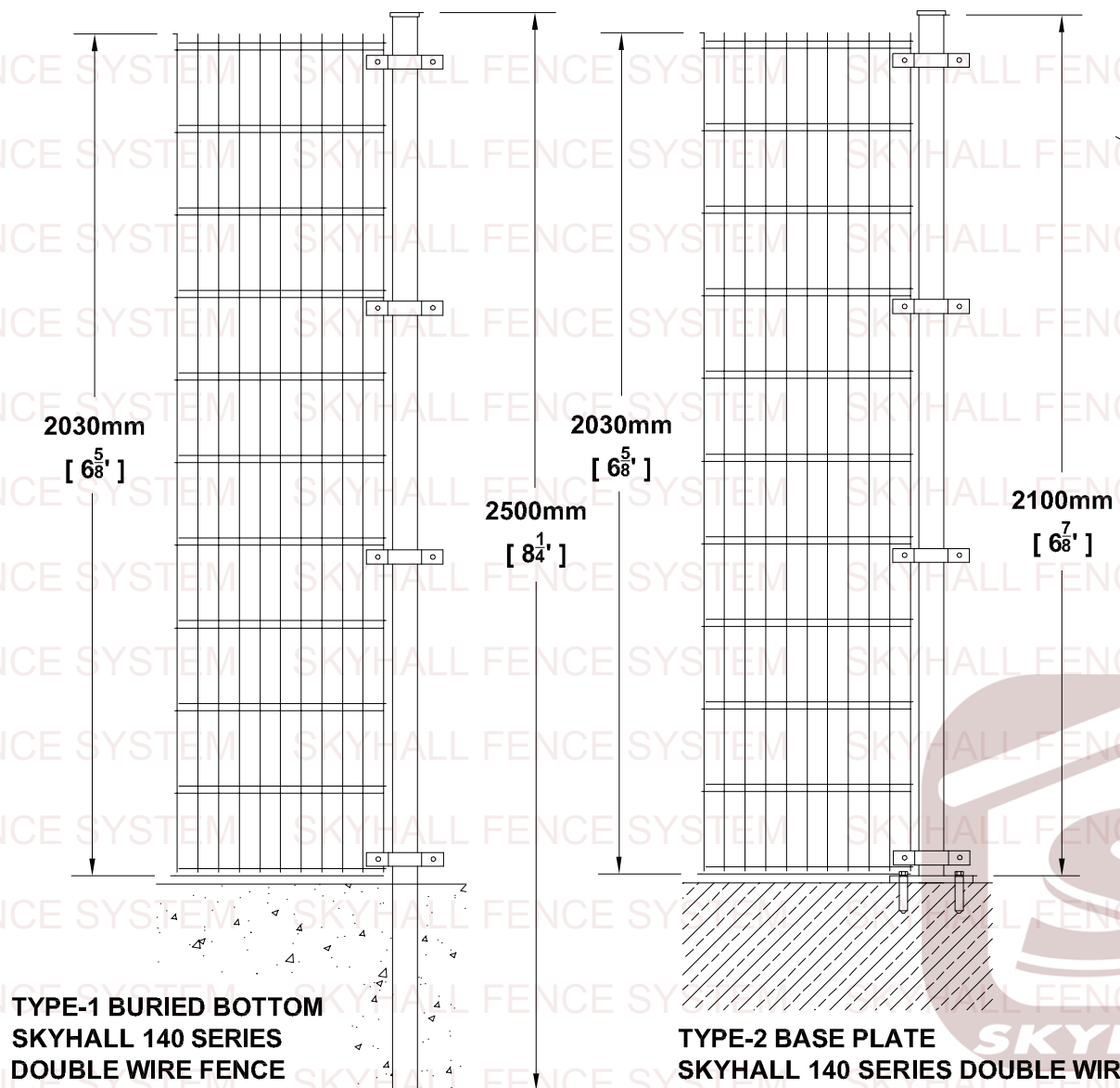


# SKYHALL FENCE SYSTEM

ADDRESS: Room 1103, Import & Export building, #486 hepingxi rd, Xinhua district, Hebei province, China.

TEL: (0086) 311-8783-1537  
FAX: (0086) 311-8610-2039

WEBSITE: www.skyhall.org  
E-MAIL: info@skyhall.org



SKYHALL 140 SERIES (DOUBLE WIRE FENCE) SKYHALL FENCE SYSTEM				
Post Size	Post Wall Thick	Clamp	Rain Cap	Surface
40mm * 60mm [ 2" ]	1.5mm [ gauge #17 ]	metal V clip	metal rain cap	hot-dipped galvanized
	2.0mm [ gauge #15 ]			
60mm * 60mm	2.5mm [ gauge #13 ]		PVC rain cap	electric galvanized + PVC coated
	3.0mm [ gauge #11 ]			
80mm * 60mm	4.0mm [ gauge #8 ]			

Rev	Date	Changed	By	Material	Q195/235	Spec
01	n/a	n/a		Mass	N/A	
02				<b>SKYHALL FENCE 140 SERIES DOUBLE WIRE FENCE (CONNECTION)</b> H=2.00M, W=2.50M, MESH SIZE 200MM*50MM		
03						
04						
05				Status		Designer
06				Status by		Date
07						

THIS DRAWING AND THE RELATED INFORMATION IS AND REMAINS THE EXCLUSIVE PROPERTY OF SKYHALL WITHOUT THE PRIOR WRITTEN CONSENT OF SKYHALL. THIS DRAWING AND THE RELATED INFORMATION MAY NEITHER BE COPIED OR REPRODUCED, NOR COMMUNICATED IN ANY WAY TO A THIRD PARTY, NOR USED FOR MANUFACTURING OUTSIDE SKYHALL EACH INFRINGEMENT OF THESE INTELLECTUAL PROPERTY RIGHTS OF SKYHALL SHALL GIVE RISE TO LEGAL PROCEEDINGS.



RAY HAN  
2014-08-12

DIN A3  
Scale 1:1  
**SKH140A0002**