



Unbiased Unbranded **Reliable**

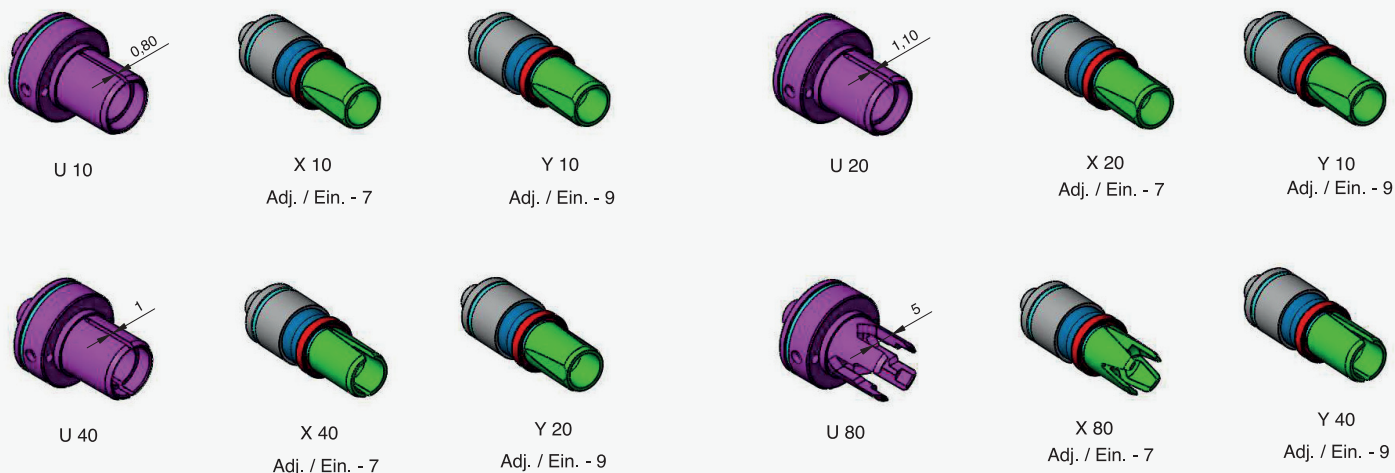


BLAIN PRODUCTS AVAILABLE FROM HYDRATEC

KV2 FLOW GUIDE

**BLAIN PRODUCTS
AVAILABLE FROM STOCK
AND TO ORDER**

BLAIN KV2 Flow Guide



Bypass Flowguide:

U 10, 20, 40, 80

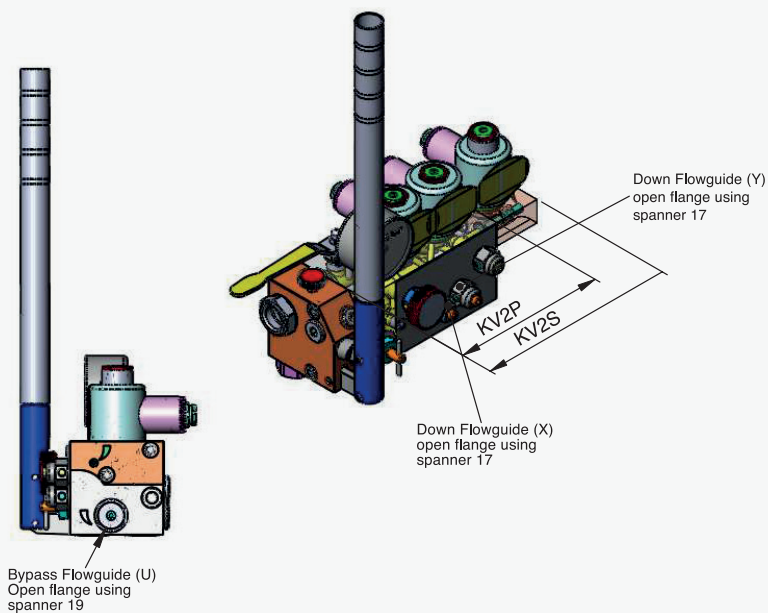
Downvalve Flowguide (Adjustment 7):

X10, 20, 40, 80 (Brass)

Downvalve Flowguide (Adjustment 9):

Y10, 20, 40

Applicable for KV2P & KV2S



Article number: KV2-U-Y
Date: 26.11.10



Hydratec Lift Services Limited
Unit 1B, Blackbushe Business Village
Yateley, Hampshire
GU46 6GA

t · +44 (0) 1252 871664
f · +44 (0) 1252 873601
e · sales.south@hydratec-lifts.co.uk

Hydratec Lift Services Limited
Unit A5, Axis Point Harehill Business Park
Hill Top Road, Heywood
OL10 2RQ

t · +44 (0) 1252 871664
f · +44 (0) 1252 873601
e · sales.north@hydratec-lifts.co.uk

© Copyright 2015, Hydratec Lift Services Limited,
All rights reserved.

*The technical and performance details contained within this document have been obtained from original manufacturers' product descriptions. Hydratec Lift Services Ltd are providing this information as a guide only and cannot be held responsible should any performance promises or technical details be incorrect.