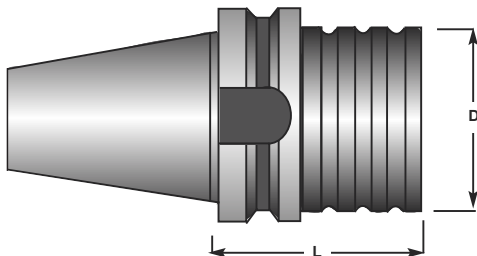
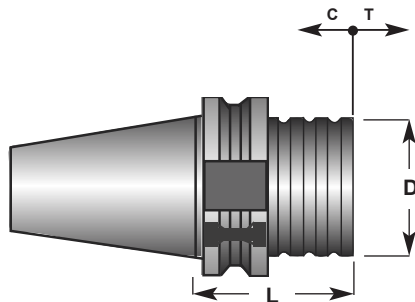

BT-MAS 403 Quick Change Tapping heads - Tension & Compression

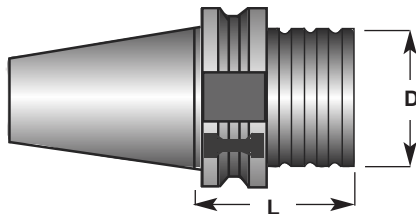
CODE	Collet	Range	D	L	C	T
BT40-TB1-067M	RC1/RS1	M3 - M12	36.0	67.0	7.5	7.5
BT40-TB2-094M	RC2/RS2	M8 - M20	53.0	94.0	12.5	12.5
BT40-TB3-189M	RC3/RS3	M14 - M33	78.0	189.0	20.0	20.0
BT50-TB1-083M	RC1/RS1	M3 - M12	36.0	83.0	7.5	7.5
BT50-TB2-107M	RC2/RS2	M8 - M20	53.0	107.0	12.5	12.5
BT50-TB3-168M	RC3/RS3	M14 - M33	78.0	168.0	20.0	20.0


BT-MAS 403 Quick Change Tapping heads - Solid

CODE	Collet	Range	D	L
BT40-STB1-072M	RC1/RS1	M3 - M12	32.0	72.0
BT40-STB2-091M	RC2/RS2	M8 - M20	50.0	91.0
BT50-STB1-081M	RC1/RS1	M3 - M12	32.0	81.0
BT50-STB2-100M	RC2/RS2	M8 - M20	50.0	100.0
BT50-STB3-127M	RC3/RS3	M14 - M33	72.0	127.0

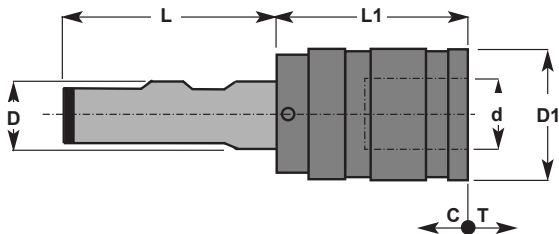

DIN69871/A Quick Change Tapping heads - Tension & Compression

CODE	Collet	Range	D	L	C	T
DV40-TB1-059M	RC1/RS1	M3 - M12	36.0	59.0	7.5	7.5
DV40-TB2-098M	RC2/RS2	M8 - M20	53.0	98.0	12.5	12.5
DV40-TB3-169M	RC3/RS3	M14 - M33	78.0	169.0	20.0	20.0
DV50-TB1-074M	RC1/RS1	M3 - M12	36.0	74.0	7.5	7.5
DV50-TB2-098M	RC2/RS2	M8 - M20	53.0	98.0	12.5	12.5
DV50-TB3-159M	RC3/RS3	M14 - M33	78.0	159.0	20.0	20.0



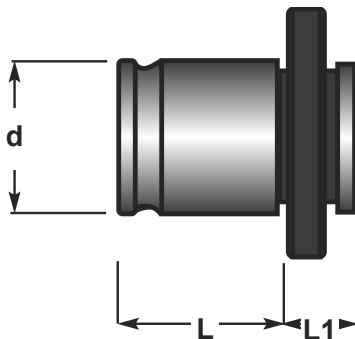
DIN69871/A Quick Change Tapping heads - Solid

CODE	Collet	Range	D	L
DV40-STB1-072M	RC1/RS1	M3 - M12	32.0	72.0
DV40-STB2-091M	RC2/RS2	M8 - M20	50.0	91.0
DV50-STB1-072M	RC1/RS1	M3 - M12	32.0	71.0
DV50-STB2-091M	RC2/RS2	M8 - M20	50.0	91.0
DV50-STB3-118M	RC3/RS3	M14 - M33	72.0	118.0



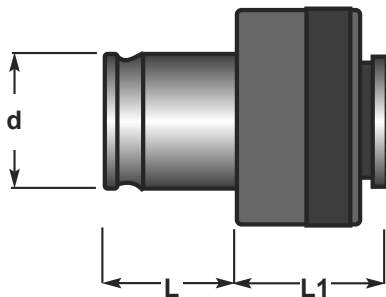
Weldon Shank Quick Change Tapping heads - Tension & Compression

CODE	Collet	Range	C	T	D	D1	d	L	L1
SS200-TB1-090W	RC1/RS1	M3 - M12	7.5	7.5	20.0	36.0	19.0	51.0	39.0
SS250-TB1-092W	RC1/RS1	M3 - M12	7.5	7.5	25.0	36.0	19.0	53.0	39.0
SS250-TB2-116W	RC2/RS2	M8 - M20	12.5	12.5	25.0	53.0	31.0	53.0	63.0
SS320-TB3-184W	RC3/RS3	M14 - M33	20.0	20.0	32.0	78.0	48.0	60.0	124.0



RC Series Collet (Solid)

Series	d	L	$L1$	ISO Tap Capacity
RC0	13.0	19.5	7.0	M1 - M10
RC1	19.0	21.5	7.0	M3 - M12
RC2	31.0	35.0	11.0	M8 - M20
RC3	48.0	55.5	14.0	M14 - M33



RS Series Collet (Clutch Type)

Series	d	L	L1	ISO Tap Capacity
RS0	13.0	19.5	21.0	M1 - M10
RS1	19.0	21.5	25.0	M3 - M12
RS2	31.0	35.0	34.0	M8 - M20
RS3	48.0	55.5	45.0	M14 - M33