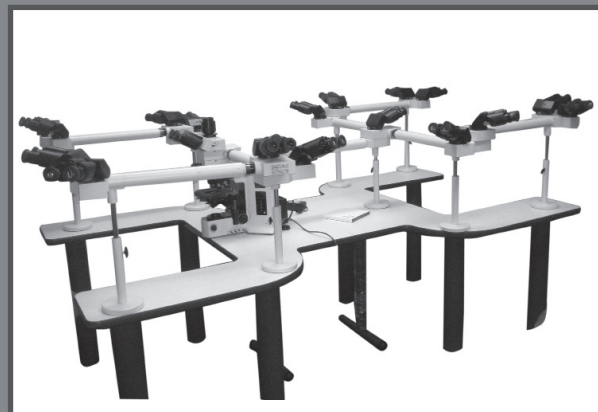
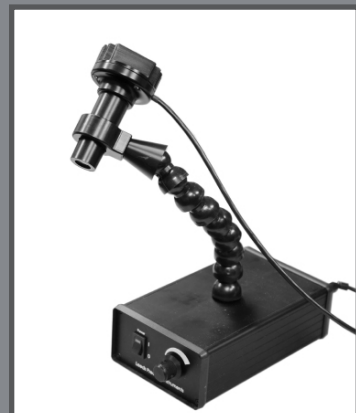




LEEDS

PRECISION INSTRUMENTS

Product Catalog



Microscope accessories, bases, stands, lighting, mounts & tables

Table of Contents

Part Number	Description	Page #
STANDS		
SMS-16A	Complete Boom stereoscope stand	3
LMA-036A	Drop prevention collar	4
LMS-150	Heavy boom base & 24" column	4
LMS-197	14" Vertical column with table clamp	4
LMS-197K	C-Clamp Mount with Articulating arm	4
LMS-198	14" Vertical column with flange mount	4
LMS-198-24	24" Vertical column with flange mount	4
LMS-200	Boom base & 14" column	4
LMS-200B	Extra Weight for LMS-200 Boom Stand	4
LMS-200-24	Boom stand base & 24" column	4
LMS-300	Articulating boom arm - double jointed fold away design	4
LIGHTING		
LRL-410	High clearance ringlight - 4-ft length	5
LMA-060	Thread adapter	5
LMA-061	Ferrule for Dolan Jenner 180	5
LMA-063	Ferrule for Fostec	5
LMS-LEDS	LED Spot Illuminator	6
LMS-LEDSK	LED Spot Illuminator Kit	6
LMS-LEDS-2	Mounting Adapter for LMS-225LEDSL with Olympus SZ2-ST Stand	6
LMS-LEDS-3	Mounting Adapter for LMS-340LED with Olympus 32mm post	6
LMS-LEDS-4	Mounting Adapter for LMS-225LEDSL with Accu-Scope	6
LMS-LEDFO	5700K LED Light Source	7
ACCESSORIES		
LPI-EAR.25	1/4" x 13 1/2" x 15" Anti-vibration pad	8
MOUNTS		
LMA-058	Inclination joint kit	9
S-02662M	With LMA-058 Installed	9
TABLES		
LBX-02HTBL-1	26x42 Dual View scope table	10
LBX-05HTBL-H	Microscope Table H Design	11
LBX-10HTBL-H	10 Headed Microscope Table H Design	12
LBX-10HTBL-B2	10 Position Microscope Table, Straight Design	13
LBX-18HTBL-2PCS	18 Head Microscope Table, 2 pc	14
LCT-TBLB	26" x 28" Motorized Table	15

Complete Boom Stereoscope Stand



SMS-16A

The SMS-16A is used where wide horizontal and/or tall vertical viewing is needed. The SMS-16A is weighted and rigid with no need for a counter balance. The vertical column is 15 $\frac{3}{4}$ " tall and is made of solid, nickel plated steel. When measured from the center of column to center of the field of view of a stereoscope, the horizontal arm has a 22 $\frac{3}{4}$ " reach. The arm has a flat surface to prevent accidental rotation of the stereoscope body, and a drop prevention collar secures the vertical height of the stereoscope above the work surface - eliminating any accidents if you swing the horizontal arm to another position. The arm is designed to hold a bonder style focus mount with a 5/8" diameter post mount. The base is 1" x 10" x 10" steel.

LEEDS

Product Catalog

1-800-444-5333 | 763.546.8575 | Fax: 763.546.4369

sales@leedsmicro.com | www.leedsmicro.com

Leeds' Custom Boom Stand Components for Stereo Microscopes



LMA-036A



LMS-150



LMS-197



LMS-198



LMS-200B



LMS-200



LMS-300

For a complete boom stand you will need:

- 1) Column assembly
- 2) Drop prevention collar
- 3) Arm assembly

Part #	Description
LMA-036A	Drop prevention collar
LMS-150	Heavy boom base & 24" column (2" x 10" x 16", 105 lbs total weight)
LMS-197	16" Vertical column with table clamp
LMS-197-24	24" Vertical column with table clamp
LMS-197K	C-Clamp mount with articulating arm
LMS-198	14" Vertical column with flange mount
LMS-198-24	24" Vertical column with flange mount
LMS-200	Boom base & 14" column (same as used on the LMS-100 complete stand)
LMS-200B	Extra Weight for LMS-200 boom stand
LMS-200-24	Boom stand base & 24" column
LMS-300	Articulating boom arm has a double jointed fold away design to save space at the workstation and does not have a rear protrusion like the rigid boom arms have. It is made to fit any of the column assemblies on this page. When measured from the center of column to center of "field of view" of a stereoscope, the horizontal arm has a 24 1/2" reach. This arm is designed to hold a bonder style focus mount with a 5/8" diameter post mount.

LEEDS

Product Catalog

1-800-444-5333 | 763.546.8575 | Fax: 763.546.4369

sales@leedsmicro.com | www.leedsmicro.com

High Clearance Ringlight



The Leeds fiber optic ringlight maintains a full 4.2” working distance when mounted on a stereoscope. The narrow side profile doesn’t interfere with hand or tool movement.

The Leeds ring light provides an even diffusion of light without hot spots or holes. The fiber optic bundle, which is available in various lengths, exits upward to stay out of the field of motion.

The ringlight mounts quickly with a screw-on coupler, and your choice of ferrule (please note that all three parts are necessary, and are ordered via separate part numbers).

LMA-061



Screw-on end for various ferrules



LMA-063



Order Product Number

LRL-410	High clearance ringlight - 4-ft length
LMA-060	Thread adapter

Choose a ferrule to fit your light source: (other ferrules are also available, please call for information).

LMA-061	Ferrule for Dolan Jenner 180
LMA-063	Ferrule for Fostec

LEEDS

Product Catalog

1-800-444-5333 | 763.546.8575 | Fax: 763.546.4369
 sales@leedsmicro.com | www.leedsmicro.com

LED Spot Illuminator and Kit



LMS-LEDS Leeds LED spot Illuminator

Leeds' LMS-LEDS LED spot illuminator is a powerful LED light source. The LMS-LEDS is versatile enough to work with either the LMS-225LEDSL transmitted light base or the LMS-340LED bright field/dark field LED transillumination base. When ordering the LED spot illuminator for either Leeds base, a specified adapter will be required. The LMS-LEDS-2 mounting adapter is required for the LMS-225LEDSL when using with Olympus SZ2-ST stand. The LMS-LEDS-3 mounting adapter is required for the LMS-340LED Olympus 32mm post. The LMS-LEDS-4 mounting adapter is required for the LMS-225LEDSL when using with Accu-scope microscope.



LMS-LEDS Leeds LED spot Illuminator

Leeds LMS-LEDSK LED Spot Illuminator kit includes the LED spot illuminator, a weighted base, arm, coupler and power supply.



LMS-LEDSK LED Spot Illuminator Kit

Order Product Number

- LMS-LEDS Leeds LED Spot Illuminator
 - LMS-LEDSK LED Spot Illuminator kit includes Base, Arm, Coupler and power supply Adapters for LMS-LEDS
 - LMS-LEDS-2 Mounting adapter for Olympus SZ2-ST Stand
 - LMS-LEDS-3 Mounting adapter for Olympus 32mm post
 - LMS-LEDS-4 Mounting adapter for LMS-225LEDSL Accu-Scope
-



LMS-LEDS-2 mounting adapter for Olympus

LEEDS

Product Catalog

1-800-444-5333 | 763.546.8575 | Fax: 763.546.4369
 sales@leedsmicro.com | www.leedsmicro.com

LED Cube Illuminator



LMS-LEDFO cube illuminator shown on a Leeds boom stand



LMS-LEDFO LED cube illuminator

The LMS-LEDFO Leeds LED cube illuminator is a fiber optic light source offering constant color temperature at all intensities with low maintenance, and no vibration.

The LED in the LMS-LEDFO is rated for over 20,000 hours, eliminating the cost of halogen bulb replacements. By having no fan, the LED cube illuminator requires minimal cleaning and does not induce vibration into optical systems. In addition, the LED cube has no thermal component to its light.

The Leeds LMS-LEDFO cube illuminator can be used with the 10mm diameter fiber optic light guides, as shown with the LRL-410 Leeds high clearance ringlight.

The optional pole clamp allows the LED cube illuminator to be attached to a boom stand offering no vibration interference and freeing up work space. The LED cube illuminator mounts quickly with a screw-on pole clamp.

Order Product Number

LMS-LEDFO 5700K LED Cube Illuminator

LEEDS

Product Catalog

1-800-444-5333 | 763.546.8575 | Fax: 763.546.4369

sales@leedsmicro.com | www.leedsmicro.com

Anti-Vibration Pad

The LPI-EAR.25 Anti-vibration pad can be placed under a fiber optic light source to prevent the fiber optic light source from transferring vibrations to both the imaging table and the microscope.

This item can be custom cut to order. Please contact Leeds Technical Sales Representative to discuss customization options.

Order Product Number

LPI-EAR.25 1/4" x 13 1/2" x 15" Anti-vibration pad
(Call for Availability)

LEEDS

Product Catalog

1-800-444-5333 | 763.546.8575 | Fax: 763.546.4369
sales@leedsmicro.com | www.leedsmicro.com

Inclination Joint for Bonder Focus Mount



LMA-058

Unlike the stock Olympus S-02662 focus mounts, which drops into the post mount of the boom arm, the modified Leeds' LMA-058 inclination joint is mounted from the underside of the boom arm and is held securely in place with the provided drop prevention knob. The LMA-058 inclination joint enables the stereoscope to be held securely at an angle which can be moved by the operator to various tilted positions and will stay in position until manually moved. Tension of tilt movement can be adjusted or locked with a hex wrench. This inclination joint replaces the standard knuckle joint of the S-02662.



S-02662M shown

Order Product Number

LMA-058	Inclination joint kit
S-02662M	W/LMA-058 Installed

LEEDS

Product Catalog

1-800-444-5333 | 763.546.8575 | Fax: 763.546.4369
 sales@leedsmicro.com | www.leedsmicro.com

Dual-View & Quad-View Tables



Dual-View - Head to Head



Four Position Observation Microscope Setup

Dual-View - Side to Side



LRL-410
LMA-060
Screw-on end for

All tables are manufactured with the following specifications:

- 26" x 42" table size with a 28 3/4" work surface height.
- Wilsonart 4168-60-390 Gray Pampus color - chemical safe work surface.
- Charcoal color rubber T-edge around outside of table edge.
- 1 1/4" Laminated wood core with smooth masonry backer board on bottom.
- Oxford color, tubular steel leg supports.
- 1/4"-20 thread inserts in bottom of table top for mounting legs.

Order Product Number

Qty	Part Number	Description
1	LBX-02HTBL-1	26x42 Dual View scope table

LEEDS

Product Catalog

1-800-444-5333 | 763.546.8575 | Fax: 763.546.4369

sales@leedsmicro.com | www.leedsmicro.com

Five & Six Position Observation Microscope Tables

LBX-05HTBL-H



Both tables are manufactured with the following specifications:

- 22" x 72" table size with a 28 ¾" work surface height.
- Wilsonart 4168-60-390 Gray Pampus color, chemical safe work surface.
- Charcoal color rubber T-edge around outside of table edge.
- 1 ¼" Laminated wood core with smooth masonry backer board on bottom.
- 1" square tube for additional support through center length of the table.
- Oxford color, tubular steel leg supports.
- ¼-20 thread inserts in bottom of table top for mounting legs.

Order Product Number

Qty	Part Number	Description
1	LBX-05HTBL-H	Microscope table H Design

LEEDS

Product Catalog

1-800-444-5333 | 763.546.8575 | Fax: 763.546.4369
 sales@leedsmicro.com | www.leedsmicro.com

Ten Position Observation Microscope Setup - H-Layout

LBX-10HTBL-H

48" x 72" Table
42" Twin-Legs
60" Cross Support Member



- 48" x 72" table size with a 28 ¾" work surface height.
- Wilsonart 4168-60-390 Gray Pampus color, chemical safe work surface.
- Charcoal color rubber T-edge around outside of table edge.
- 1 ¼" Laminated wood core with smooth masonry backer board on bottom.
- 1" square tube for additional support through center length of the table.
- Oxford color, tubular steel leg supports.
- ¼-20 thread inserts in bottom of table top for mounting legs.

Order Product Number

Leeds Custom Table Items Required

Qty	Part Number	Description
1	LBX-10HTBL-H	10 Headed Microscope Table H Design
1	Crating	Leeds Shipping Crate for Table

LEEDS

Product Catalog

1-800-444-5333 | 763.546.8575 | Fax: 763.546.4369

sales@leedsmicro.com | www.leedsmicro.com

Ten Position Observation Microscope Setup - Straight Layout

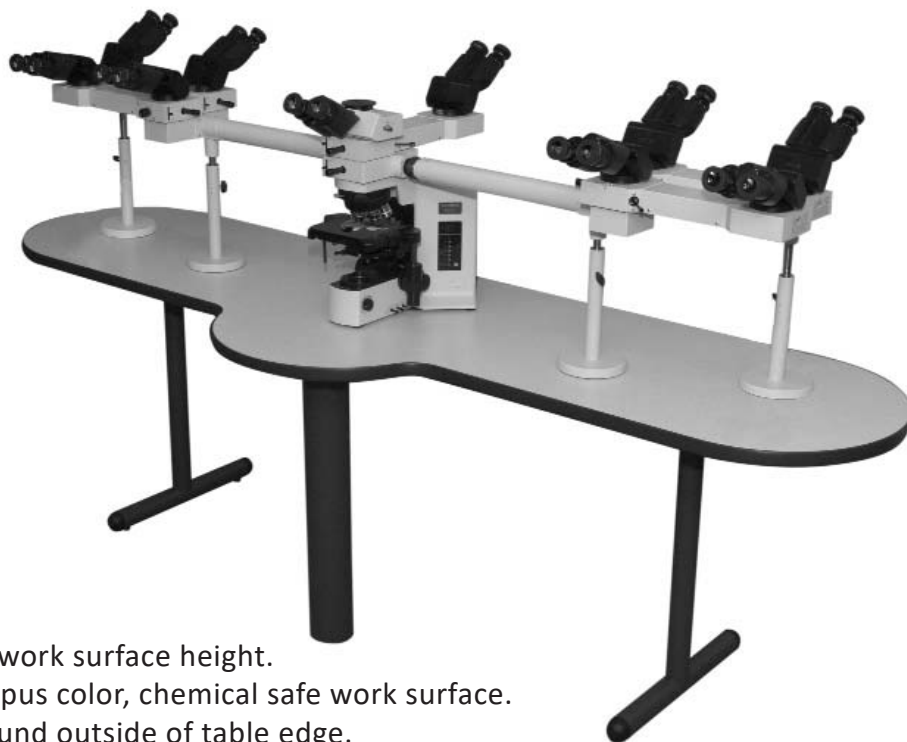
LBX-10HTBL-B2

30" x 94" Table

20" T-Legs

4" Single Post Leg

60" Cross Support Member



- 30" x 94" table size with a 28 ¾" work surface height.
- Wilsonart 4168-60-390 Gray Pampus color, chemical safe work surface.
- Charcoal color rubber T-edge around outside of table edge.
- 1 ¼" Laminated wood core with smooth masonry backer board on bottom.
- 1" square tube for additional support through center length of the table.
- Oxford color, tubular steel leg supports.
- ¼-20 thread inserts in bottom of table top for mounting legs.

Order Product Number

Olympus Observation Tubes and Leeds Custom Items Required

Qty	Part Number	Description
1	LBX-10HTBL-B2	10 position Microscope Table, Straight design
2	LBX-B-0151	Telescope Support Base
2	LBX-153	Support Bracket
1	Crating	Leeds Shipping Crate for Table

LEEDS

Product Catalog

1-800-444-5333 | 763.546.8575 | Fax: 763.546.4369

sales@leedsmicro.com | www.leedsmicro.com

Eighteen Position Observation Microscope Setup



Optional LBX-18HTBL-AR
arm rest



Installed LBX-18HTBL-AR
arm rest

LBX-18HTBL-2PCS

58" x 100" Table
22" T-Legs
4" Single Post Legs

- 58" x 100" table size with a 28 ¾" work surface height.
- Wilsonart 4168-60-390 Gray Pampus color, chemical safe work surface.
- Charcoal color rubber T-edge around outside of table edge.
- 1 ¼" Laminated wood core with smooth masonry backer board on bottom.
- Steel plate for additional support through center of the table.
- Oxford color, tubular steel leg supports.
- Table ships in two pieces.
- ¼-20 thread inserts in bottom of table top for mounting legs.

Order Product Number

Leeds Custom Table Items Required

Qty	Part Number	Description
1	LBX-18HTBL-2PCS	18 Headed Microscope Table
1	Crating	Leeds Shipping Crate for Table

LEEDS

Product Catalog

1-800-444-5333 | 763.546.8575 | Fax: 763.546.4369

sales@leedsmicro.com | www.leedsmicro.com

26" x 38" Motorized Table



LCT-TBLB



The Leeds Trace Evidence Comparison Microscope show positioned on the LCT-TBLB

The LCT-TBLB motorized table is designed to adjust to various heights between 26" for a standard desk chair, or 43" for adjustable stools.

Order Product Number

LCT-TBLB 26" x 38" Motorized Table
