

# Electr. Dual Pressure Switch

# BPS3000

## Features

- ▶ Measuring ranges: 0...0.2 bar to 0...600 bar gauge (switchable to psi + MPa)
- ▶ Suitable for indoor or outdoor usage
- ▶ max. 2 switch points
- ▶ Analogue output 4 - 20 mA or 0 - 10 V
- ▶ Rotatable 320° display & electrical connection
- ▶ Menu navigation refers to VDMA standard

## Applications

- ▶ Machine tool industry
- ▶ Hydraulic & Pneumatic
- ▶ Injection moulding machines
- ▶ Lubrication monitoring



## Technical Data

<b>Sensor element:</b>	Ceramic sensor optional: piezoresistive sensor
<b>Materials:</b> Wetted parts:	Stainless steel, mat. no. 1.4301, brass MS58*
Electronics housing: Seals:	Stainless steel, mat. no. V2A, PA / PC FKM, EPDM
<b>Operating elements:</b>	3 easy-response pushbuttons
<b>System of protection:</b>	IP65, IP67
<b>Protection class:</b>	III
<b>Electrical connection:</b>	Plug M12 x 1, 4-pin / 5-pin / 8-pin (depending on output code)
<b>Process connection:</b>	see order code
<b>Dimensions:</b>	110 x 41 mm (without plug connector)
<b>Weight:</b>	approx. 300 g
<b>A/D converter:</b> Resolution:	12 bit (4096 steps per measuring span)
Scanning rate:	1000 / s
<b>Linearity error:</b>	< ± 0.5 % v. f. s. at +25 °C
<b>Temperature influence:</b>	TC zero < ±0.2 % FSO / 10K TC span < ±0.3 % FSO / 10K
<b>Compensation range:</b>	-10 °C... +70 °C
<b>Repeatability:</b>	±0.1 % FSO
<b>Temperature range:</b> Medium: Electronics: Storage:	-25 °C... +100 °C -10 °C... +70 °C -30 °C... +80 °C
<b>Power supply:</b>	15... 32 V DC, output code 6: 20... 32 V DC reversed polarity protected (SELV, PELV)
<b>Digital display:</b>	4-digit 14-segment LED display, red, digit height 9 mm
<b>Error display:</b>	LED red and alphanumeric display
<b>Power consumption:</b>	approx. 50 mA (without load) output code 6: approx. 80 mA

<b>Analog output:</b> Current output: Scanning rate: Voltage output: Rating: Adjustment range:	4...20 mA 2 ms 0...10 V DC max. 10 mA 25 %... 100 % f. s.	
<b>Relay output:</b>	Rel. 1 normally closed, Rel. 2 normally open	
<b>Load:</b>	max. 1A, max. 60V, max. 30W	
<b>Transistor switching outputs PNP:</b>		
<b>Switching function:</b>	Normally open/normally closed, standard / window mode and diagnosis function adjustable	
<b>Adjustment range for switching point and hysteresis:</b>	0 %... 125 % f. s.	
<b>Switching frequency:</b>	max. 100 Hz	
<b>Load</b>	max. 500 mA, short-circuit proof	
<b>Delay</b>	0.0 s ... 50 s adjustable	
<b>Status display(s):</b>	LED(s) red	
<b>Approvals:</b>		
<b>EMV</b>	EN 61000-4-2 ESD	4 kV CD / 8 kV AD
	EN 61000-4-3 HF radiated	10 V/m
	EN 61000-4-4 Burst	2 kV
	EN 61000-4-5-Surge	1/2 kV
	EN 61000-4-6 HF conducted	10 V
<b>Shock resistance</b>	DIN EN 60028-2-27	50 g (11 ms)
<b>Vibrations resistance</b>	DIN EN 60028-2-26	20 g (10...2000 Hz)
<b>cULus (not output code 6)</b>	E42816	

\* In the pressure inlet a damping screw made of brass is mounted. This screw can be removed of required, e.g. in case of soiled medium or material incompatibility, using a slotted screw driver (max. width 3 mm). The pressure switch is less resistant to pressure peaks when the damping screw has been removed.

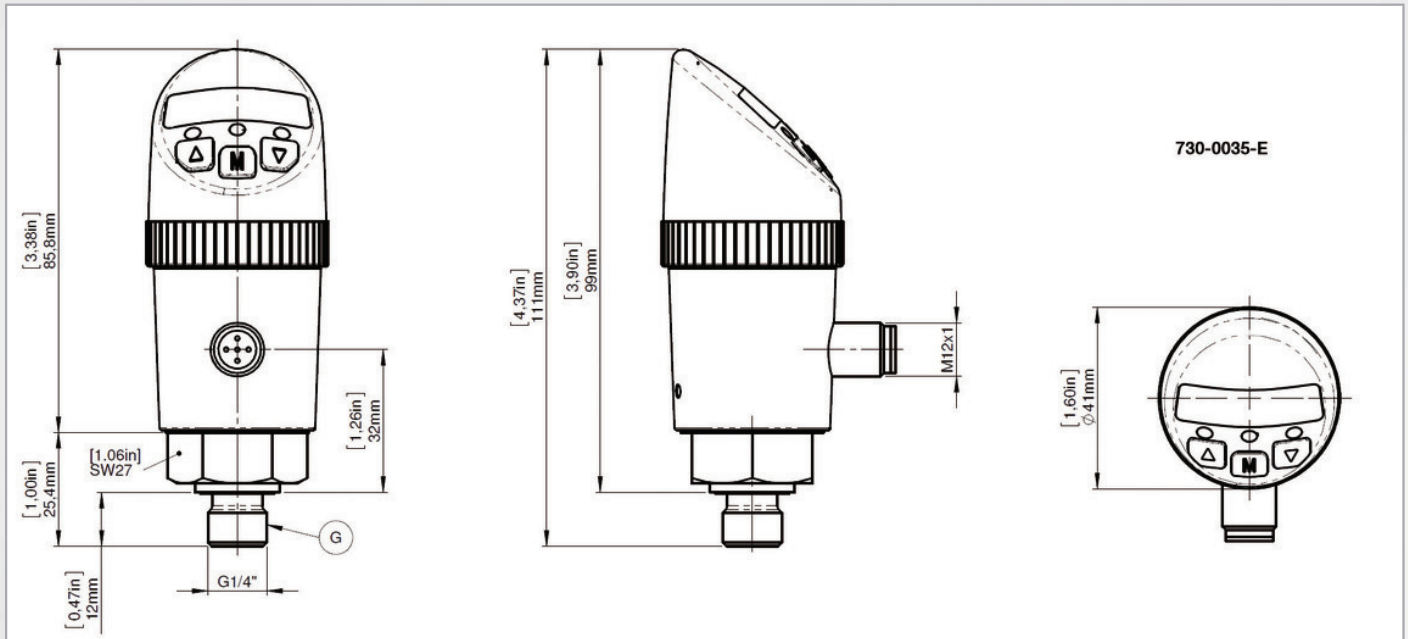
## Accessories

Order Number	Description
907-0357	Plug connector M12 x 1, 4-pin, with screw terminals, angled (IP65)
907-0185	Plug connector M12 x 1, 5-pin, with screw terminals, angled (IP65)
908-0361	Plug connector M12 x 1, 5-pin, with moulded cable, (IP67)

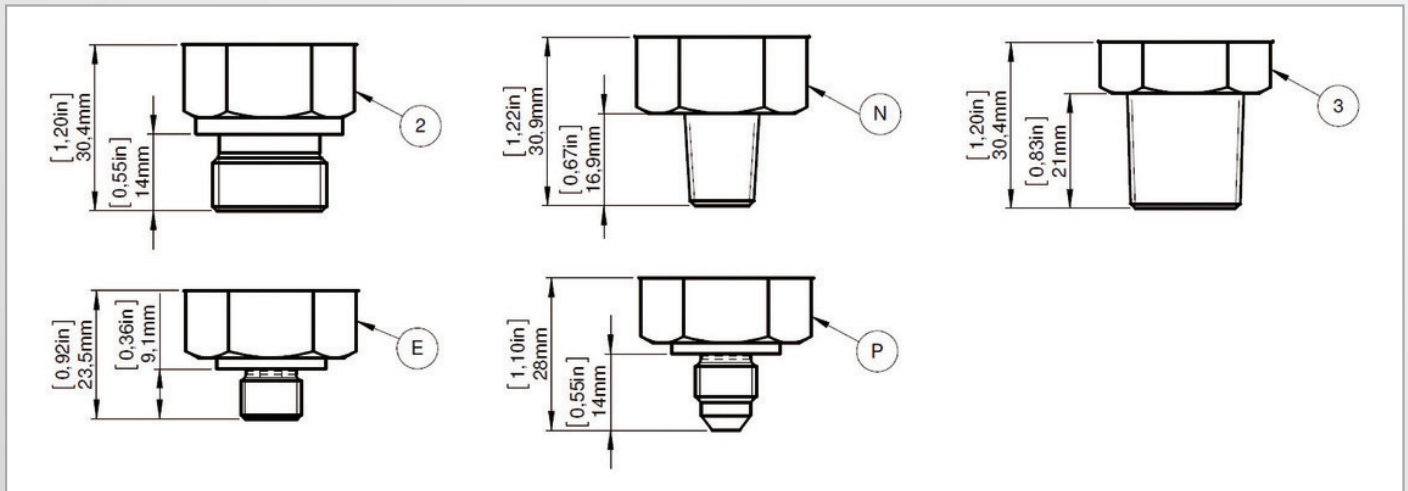
## Electr. Dual Pressure Switch

**BPS3000**

### Dimensions (mm / inch)



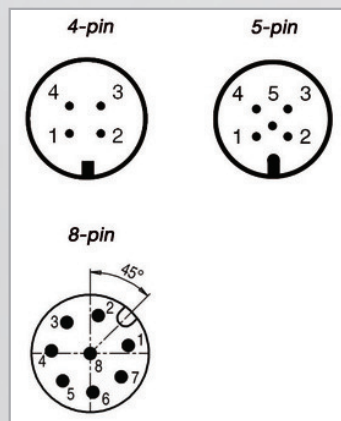
### Process connection



### Legend

G	G1/4" Ceramic
N	1/4" NPT Ceramic
2	G1/2" flush diaphragm
3	1/2" NPT flush diaphragm
E	7/16-20 UNF (SAE)
P	7/16-20 UNF (JIC)

### Plug



### Electrical Connection

Pin	Signal Output Code 1	Signal Output Code 2, 3	Signal Output Code 4, 5	Signal Output Code 6
1	+Ub	+Ub	+Ub	+Ub
2	SP2	Signal	Signal	SP1a
3	0V	0V	0V	SP1b
4	SP1	SP1	SP1	0V
5	-	-	SP2	SP2a
6	-	-	-	SP2b
7	-	-	-	-
8	-	-	-	Housing

## Order Code

BPS3000

BPS3

Base Model

### Output

1	2 switch points
2	4...20mA - 1 switch point
3	0...10V - 1 switch point
4	4...20mA - 2 switch points
5	0...10V - 2 switch points
6	2 relais switch points (1 x NO SPST / 1 x NC SPST) (requires piezoresistive sensor / code P)*

### Process Connection

G	G1/4" ext. threat
2	G1/2" flush diaphr. (requires piezoresistive sensor / code P* / 10-600 bar only)
N	1/4"NPT ext. threat
3	1/2"NPT flush diaphr. (requires piezoresistive sensor / code P* / 10-600 bar only)
1	40x40 Cetop/Manifold - on request
E	7/16-20 UNF (SAE4) ext. threat
P	7/16-20 UNF(37° JIC) ext. threat

### Sealing

V	FKM
E	EPDM

### Electrical Connection

M	M12
---	-----

### Range

0 0 0 1 B A	0 - 1 bar absolute (requires piezoresistive sensor / code P)*
0 0 0 5 B A	0 - 5 bar absolute (requires piezoresistive sensor / code P)*
0 0 1 0 B A	0 - 10 bar absolute (requires piezoresistive sensor / code P)*
0 0 . 2 B	0 - 0.2 bar (requires piezoresistive sensor / code P)*
0 0 . 5 B	0 - 0.5 bar (requires piezoresistive sensor / code P)*
0 0 0 1 B	0 - 1 bar (requires piezoresistive sensor / code P)*
0 0 0 2 B	0 - 2 bar (requires piezoresistive sensor / code P)*
0 0 0 5 B	0 - 5 bar (requires piezoresistive sensor / code P)*
0 0 1 0 B	0 - 10 bar
0 0 5 0 B	0 - 50 bar
0 1 0 0 B	0 - 100 bar
0 2 0 0 B	0 - 200 bar
0 4 0 0 B	0 - 400 bar
0 6 0 0 B	0 - 600 bar (requires piezoresistive sensor / code P)*
	Others on request

### Sensor

Blank	Standard ceramic sensor
P	*Piezoresistive sensor

Example:

BPS3 4 G V M 0 2 0 0 B

## Special Design on re

Special designs on request