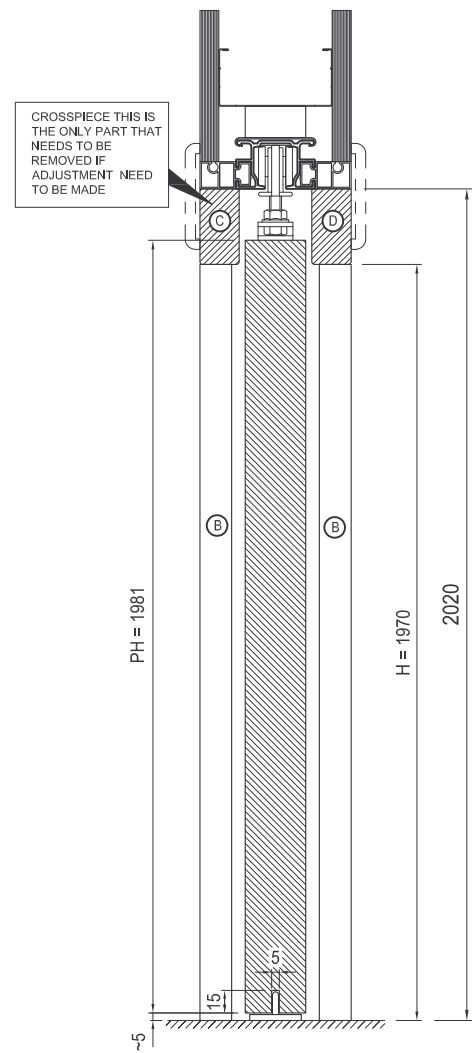
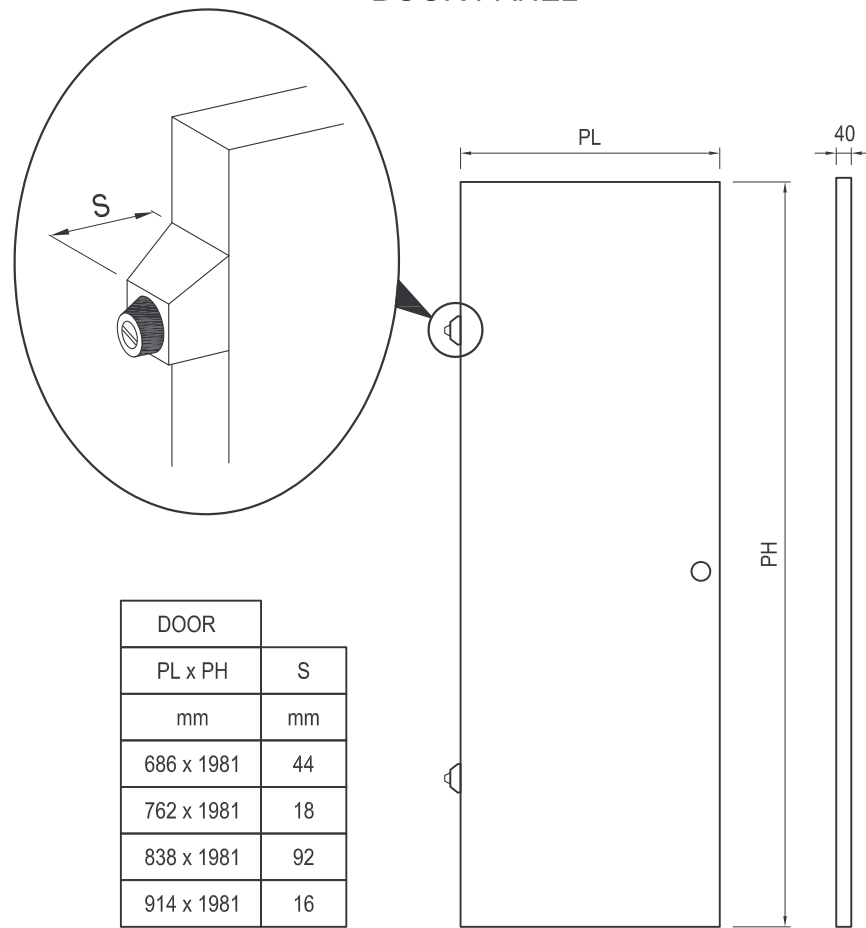


VERTICAL SECTION

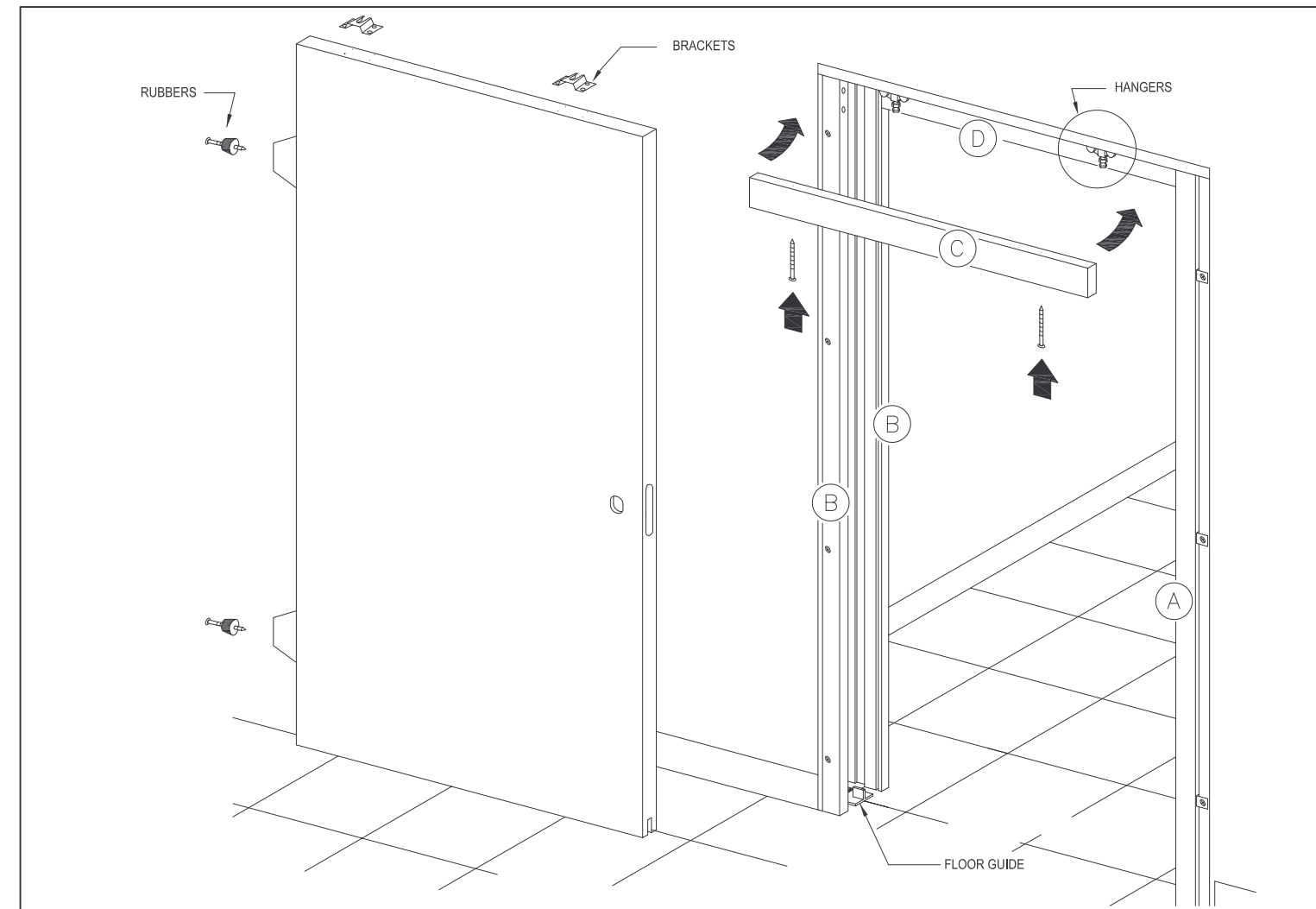


DOOR PANEL

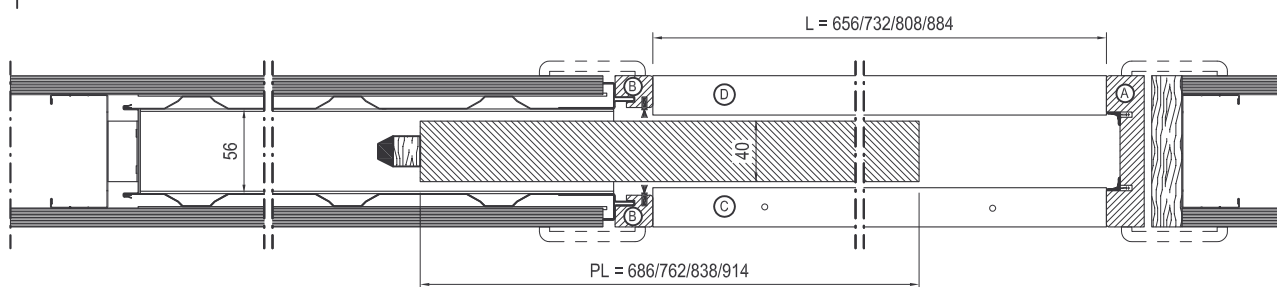


INSTALLATION OF THE DOOR ON THE PLASTERED WALL AND PLASTERBOARD FRAME

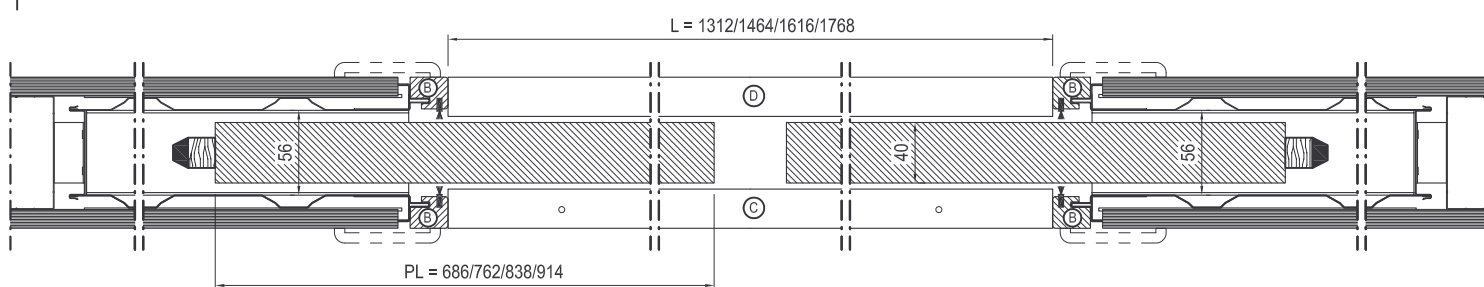
UK



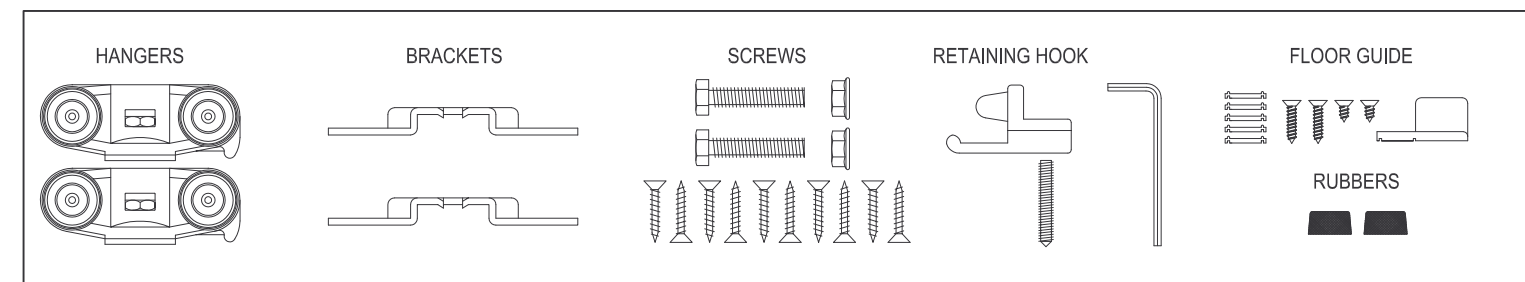
HORIZONTAL SECTION SINGLE DOOR



HORIZONTAL SECTION DOUBLE DOOR



ACCESSORIES FOR THE INSTALLATION OF THE DOOR



JAMBS AND END POSTS

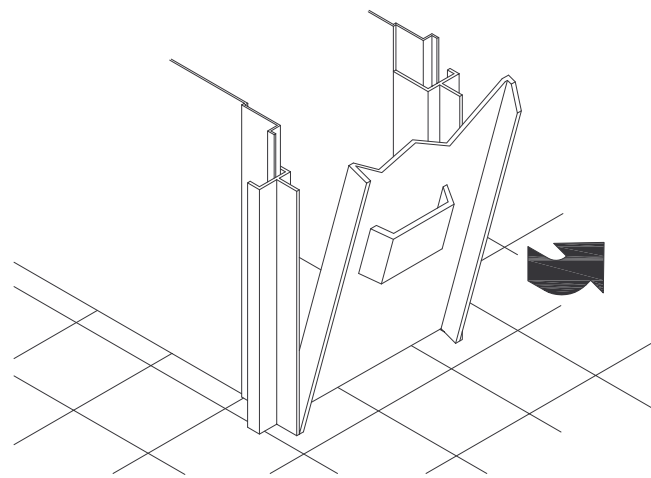
SINGLE DOOR

SINGLE DOOR		END POSTS		
OPENING SIZE	DOOR	A	B	C / D
L x H	PL x PH	mm	mm	mm
656 x 1970	686 x 1981	2020	2020	656
732 x 1970	762 x 1981	2020	2020	732
808 x 1970	838 x 1981	2020	2020	808
884 x 1970	914 x 1981	2020	2020	884

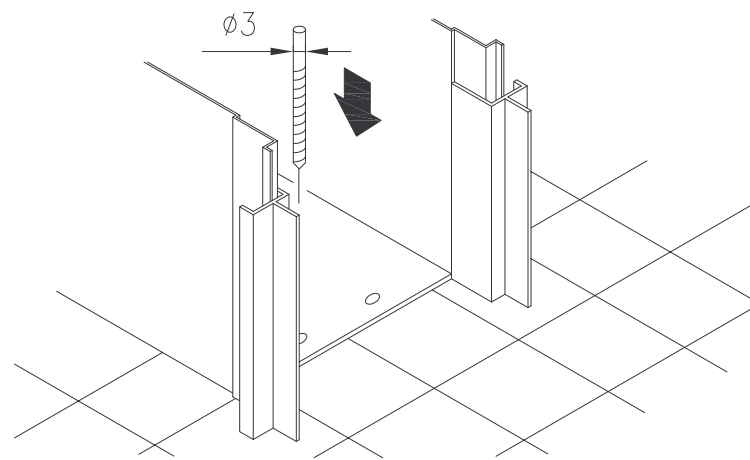
DOUBLE DOOR

DOUBLE DOOR		END POSTS	
OPENING SIZE	DOOR	B	C / D
L x H	PL x PH	mm	mm
1312 x 1970	686 x 1981	2020	1312
1464 x 1970	762 x 1981	2020	1464
1616 x 1970	838 x 1981	2020	1616
1768 x 1970	914 x 1981	2020	1768

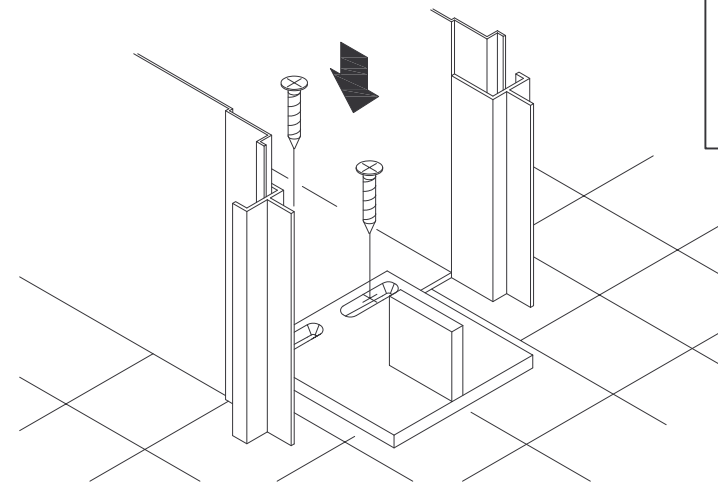
This information given in this document is for descriptive purposes only. The company will not be held responsible for any inaccuracies caused by printing errors, transcription errors or for any other reason, and reserves the right to make modifications, without giving prior notice, for the improvement of its products. The reproduction, including the partial reproduction, of this document is severely prohibited within the terms of the Law. The manufacturer guarantees only the product supplied and its components against manufacturing defects, and declines all liability for improper use in the case of installation that fails to comply with the instructions given or performed incorrectly. The installer must therefore check that the product is complete and undamaged and that it is suitable for the envisaged use. Any defects found must be notified in writing to the retailer.



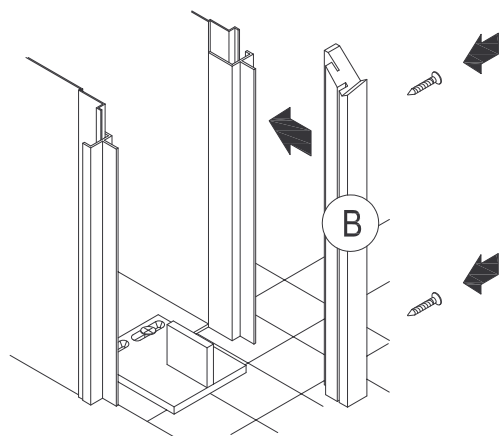
AFTER THAT THE PLASTER HAS DRIED REMOVE THE COVER PLATES. CLEAN THE INTERNAL SPACE OF THE FRAME.



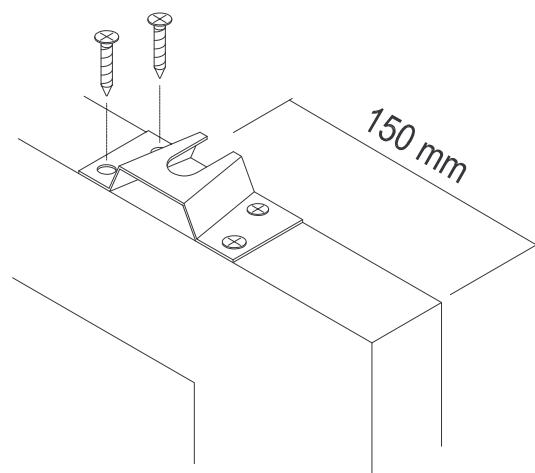
IF NECESSAR Y RE-DRILL PILOT HOLES WITH  $\varnothing 3$  mm FOR FIXING FLOOR GUIDE.



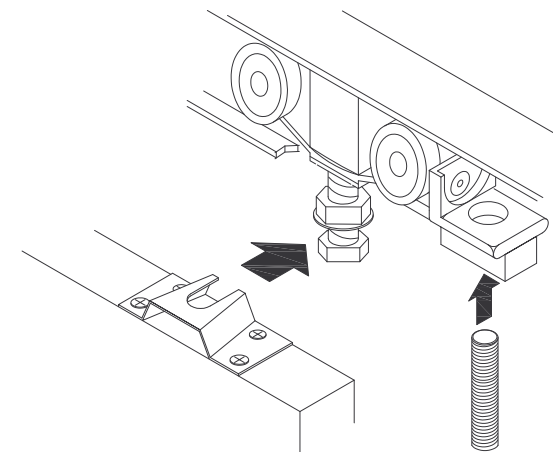
FIX FLOOR GUIDE USING SCREWS 4.2X9.5. IF THE FRAME IS NOT AT FLOOR LEVEL USE THE SPACER FOR THE FLOOR GUIDE SUPPLIED AND IN THIS CASE USE SCREWS 4.2X1.9.



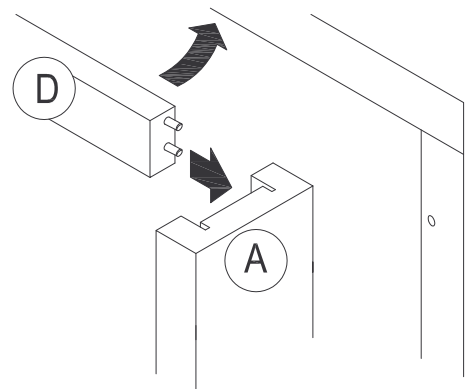
FIT JAMB "B" ON THE BOX FRAME AS SHOWN. THIS IS USUALLY FITTED ON THE CORRIDOR SIDE OR THE MORE VISIBLE SIDE. IT IS HELPFUL TO DRILL THE METAL SHEET BEFORE SECURING WITH THE SELF TAPPING SCREWS.



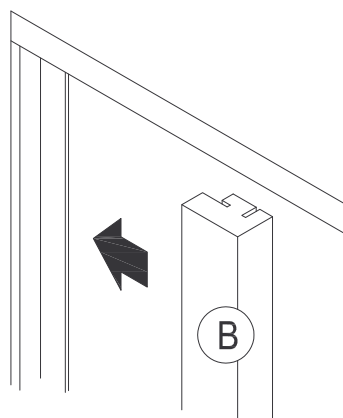
FIX THE BRACKETS, WHICH SUPPORT THE HANGERS, TO THE TOP OF THE DOOR AT 150MM AS SHOWN IN THE DRAWING WITH 4.5X2.5 SCREWS. IT IS IMPORTANT THAT THE OPEN SIDE OF THE BRACKET FACES THE SAME SIDE OF THE OPENING AS JAMB "B" JUST FITTED.



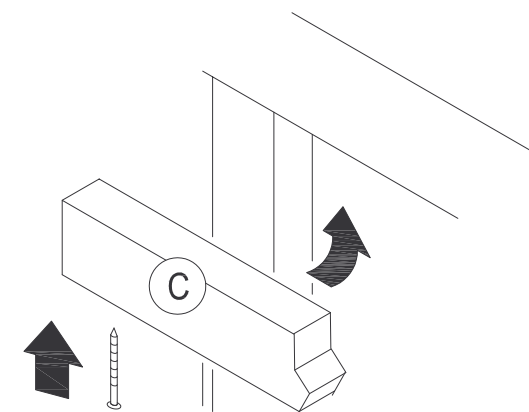
FIT THE HANGERS AND THE STOP INTO THE SPECIFIC SLOT. HOOK ON THE DOOR AND ADJUST FOR CORRECT SLIDING MOVEMENT.



SLOT CROSS PIECE "D" TO JAMB "B", ALREADY FITTED, FIX IN JAMB "A" AND CHECK ITS VERTICAL POSITIONS AND FASTEN TO THE FRAME.



FIX THE REMAINING JAMB "B"



FIT CROSS PIECE "C" SUCH THAT IT CAN BE REMOVED EASILY FOR ADJUSTMENT OR ROUTINE MAINTENANCE PURPOSES. WE SUGGEST A SCREW FIXED VERTICALLY.