

Special Feature:
Retractable wheel base with foot lever control. Allows the couch to be moved/positioned with ease.



Attachments Note:
Safety rails (configured smaller) fitted to both sides can be easily removed or folded down - pair to order A2. (Padded sides also available to special order)

Children's Medical Treatment Couch - Two Section £875

Product Code - FEN2800 Electronic /FEN2800H Hydraulic

Features

- Two section with adjusting back rest
- Configured to smaller proportions for children
- Lifting back rest with double ratchet mechanism
- Retractable wheel base with foot lever control
- Double layered high grade density 2" foam upholstery
- Steel frame with white anti-microbial protective coating

Electronic Model:

- Electronic variable height operation
- Electronic remote control provides instant height adjustment by foot console

Hydraulic Model:

- Hydraulic variable height operation
- Pressured dynamic foot pump provides easy hydraulic lift from both sides of couch

Options

- Choice of anti-microbial upholstery colours
- Breather hole
- Anatomic memory foam
- Base Variant to allow hoist access

Attachments

- Hygiene Roll Holder
- Safety Rails - fold down
- IV Pole
- Phlebotomy Arm (single / pair)
- Adjustable Arm Supports

Pricing & Ordering Information

FEN2800	Fenwick Two-section Paediatric Electronic Treatment Couch	£875
FEN2800H	Fenwick Two-section Paediatric Hydraulic Treatment Couch	£875

Options

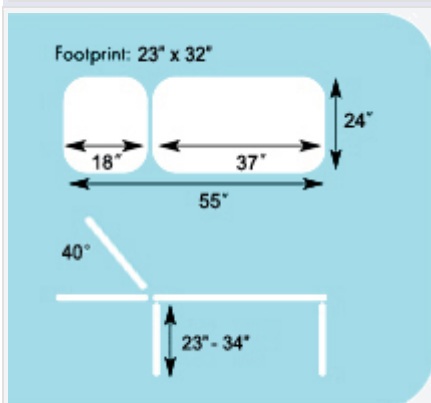
O21	Additional +3" width	£65
O24	Breather Hole + Vinyl Wedge	£25
O25	Anatomic Memory Foam	£95
O27	Alternative Electronic Footswitch	£75
Base	Base Variant to allow hoist access	£90
V30	Choice of Upholstery Colours	FOC
V31	Upholstery Upgrade	£40

Attachments

A1	Hygiene Roll Holder	£27
A2	Safety Rails - fold down	£130
A3	Head Cushion Support	£45
A4	IV Pole	£69
A5	Foot Stirrups	£95
A6	Leg Support Troughs	£145
A7	Phlebotomy Arm	£95
A11	Phlebotomy Arm (pair)	£180
A8	Adjustable Arm Supports	£65

- all prices are VAT exclusive

Specification & Technical Information



SWL - 225kg

Vinyl Infection Control
Hydrophobic & Anti-Microbial with infection proof additive against E coli and MRSA.

CE Compliant CE approved. Component electronic motors comply with EMC Directives.

British Safety Standards
BS3379/BS5852; Fire Safety Regulations S11324,1989

Delivery & Manufacture Information

Production Lead Time - approx. **15 working days**

FREE Delivery anywhere in mainland UK by pallett courier

Meditelle Personal Installation service available to order

For Advice & to Order call 0121 332 1850

For Purchase Orders fax to 0121 332 1851 or email
sales@meditelle.org

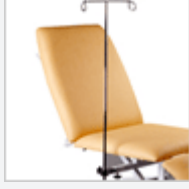
Attachments to Order



A1 Towel Rail
Allows full extension of the paper over the length of the couch.



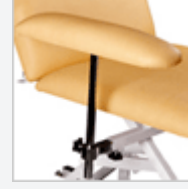
A2 Side Rails
Provide additional patient safety. Fold down when not in use/for easy access.



A4 IV Pole
Can be mounted on either side of couch. Height adjustable/detachable.

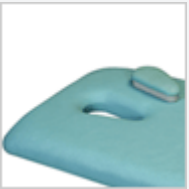


A7 single/ A11 pair Phlebotomy Arm Shaped arm support fits either side of unit. Adjustable/detachable.



A8 Arm Supports
Upholstered side pads support arm and hand. Can be raised/lowered. Detachable.

Options to Order



O24 An integral nose hole in head section complete with wedge to plug the hole.



O25 An additional top layer of pressure relieving visco-elastic memory foam (50F density).



Base A base variant is available to allow hoist access. Bespoke sizes available.