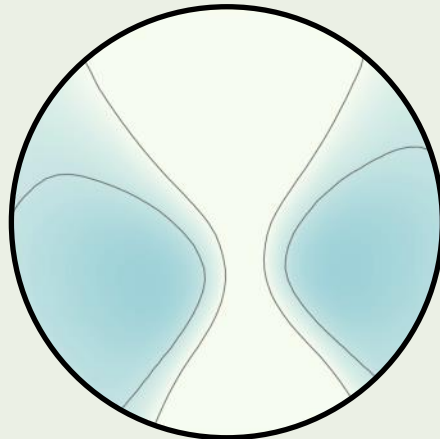


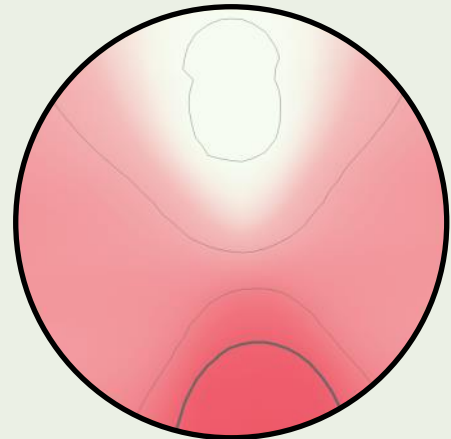


CUSTOM OFFICE

OFFICE

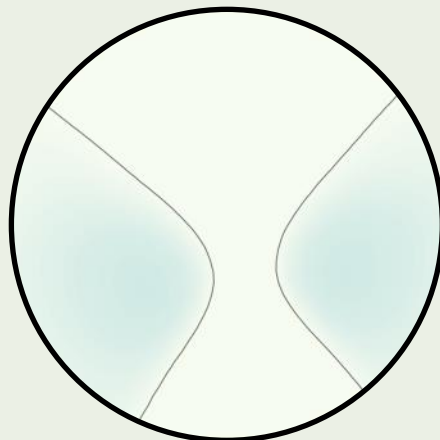


Cylinder

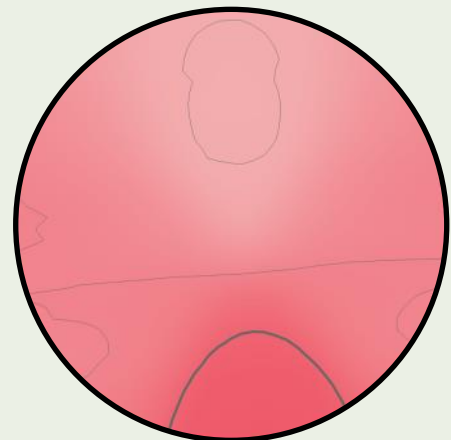


Mean Power

DESK



Cylinder



Mean Power

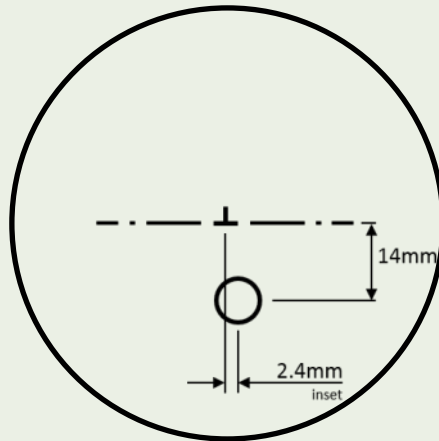
CUSTOM OFFICE RANGE

The **Custom Office** is a lens designed primarily for use in an office-type environment. It is not a traditional progressive design, but rather is an alternative to a reading lens, providing clear vision for reading and intermediate viewing. The wide range of dynamic powers allows the ideal choice to be made for all reading additions up to 3.00D and also allows the user to benefit from fully corrected reading and intermediate vision and maximised distance vision. The design reduces eye and neck strain associated with long term use of computers.



CROSSBOWS
optical

CUSTOM OFFICE



Layout

Power Range

+6.00D to -10.00D, up to -4.00D cylinder

Dynamic Power

-0.75D to -2.50D in steps of 0.25D

Index

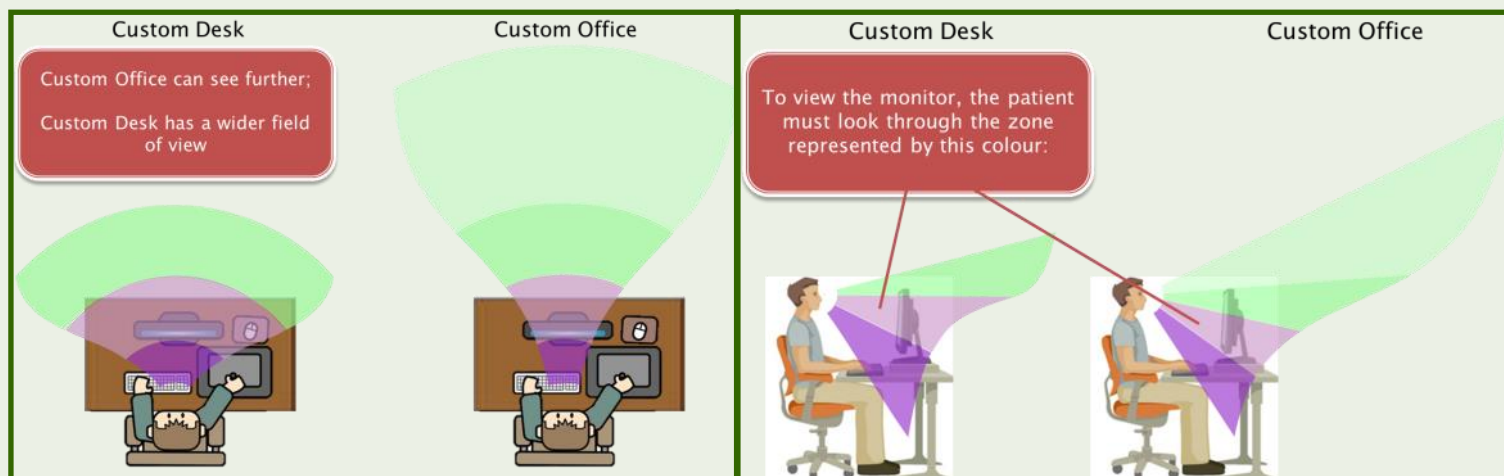
All indices are available

Custom Office Range

Custom Office	14mm corridor length, degression = prescribed addition - 0.50D
Custom Desk	14mm corridor length, degression = prescribed addition x 50%
Custom Professional	14mm corridor length, free choice of degression



CUSTOM OFFICE



Custom Office, Custom Desk or Custom Professional?

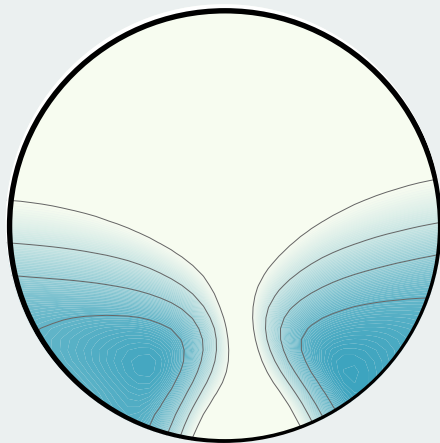
Custom Office is a great lens to wear while working at a task requiring near or intermediate vision. The benefits over a fully corrected progressive lens is wider fields of view and more comfortable posture as the reading area is much more accessible. It compromises some of the full distance vision of a normal progressive lens, but still allows the user to see up to 2.0m.

Custom Desk takes the compromise one step further. It offers even wider fields of view, is even easier to access the reading area, but full distance vision has been shortened.

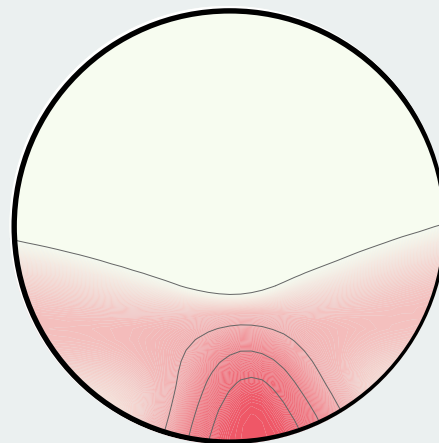
Custom Professional allows the free choice of degression, so the choice of balance between excellent near vision and full distance vision is left open.



CUSTOM SPORT



Cylinder



Mean Power

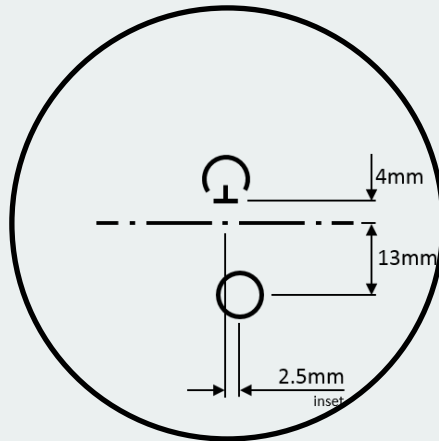
CUSTOM SPORT

The **Custom Sport** design is a progressive design for people who regularly require a progressive lens in an active and dynamic environment. A full and generous distance area is a specific requirement whether you are playing golf, tennis, hill walking etc. This design also benefits from Digital EyeView and Digital EyePower and can be placed in a sports-style wrap frame.



CROSSBOWS
optical

CUSTOM SPORT



Layout

Power Range

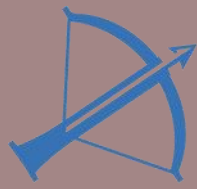
+6.00D to -10.00D, up to -4.00D cylinder

Additions

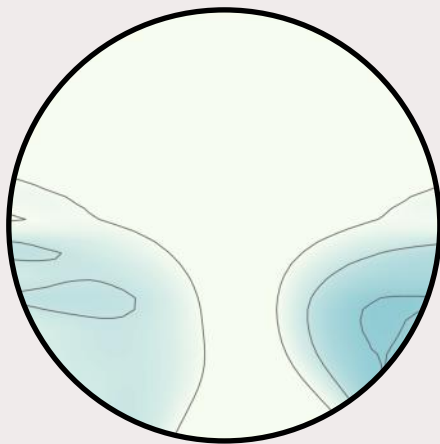
0.75D to 3.50D in steps of 0.25D

Index

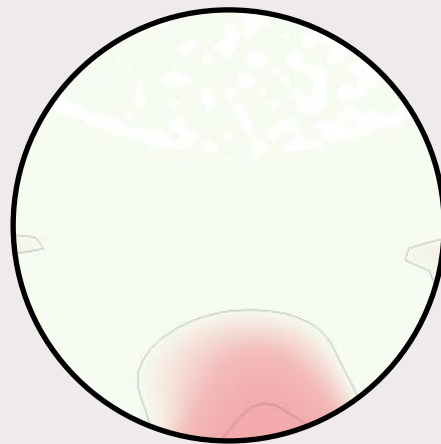
All indices are available



CUSTOM RELAX S



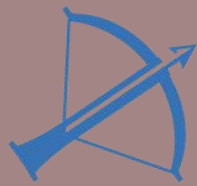
Cylinder



Mean Power

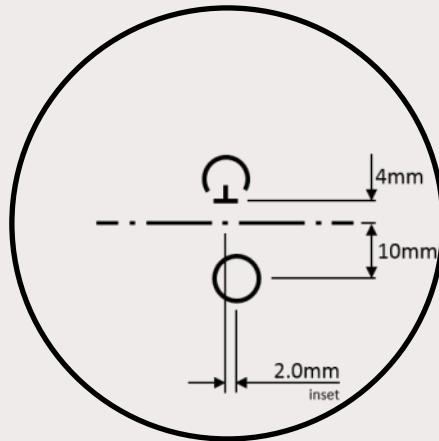
CUSTOM RELAX S

The **Custom Relax S** design is a progressive design for people who are not presbyopic. It avoids the patients' eyes becoming tired and strained if they spend a large portion of the day focusing at the same distance, e.g. using a computer. It is available in two forms; Custom Relax S I has an addition of 0.66D, Custom Relax S II has an addition of 1.00D.



CROSSBOWS
optical

CUSTOM RELAX S



Layout

Power Range

+6.00D to -10.00D, up to -4.00D cylinder

Index

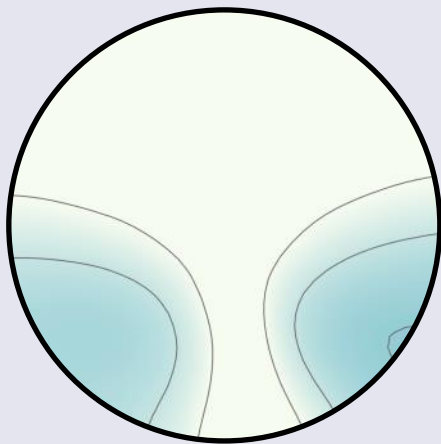
All indices are available

Custom Relax S Range

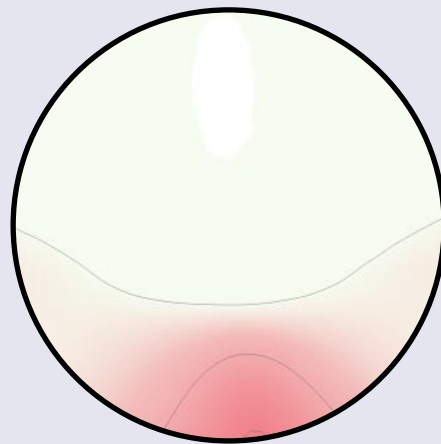
Custom Relax S i	0.66D addition
Custom Relax S ii	1.00D addition



CUSTOM DRIVER



Cylinder



Mean Power

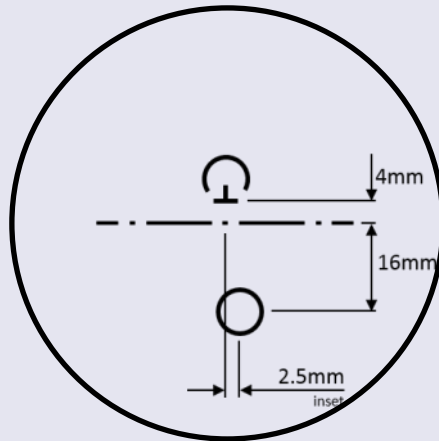
CUSTOM DRIVER

The **Custom Driver** has been designed with the specific vision requirements of driving in mind. Clear distance vision is the absolute priority with improved middle distance vision compared to other progressive designs for reading the dashboard and seeing in mirrors.



CROSSBOWS
optical

CUSTOM DRIVER



Layout

Power Range

+6.00D to -10.00D, up to -4.00D cylinder

Additions

0.75D to 3.50D in steps of 0.25D

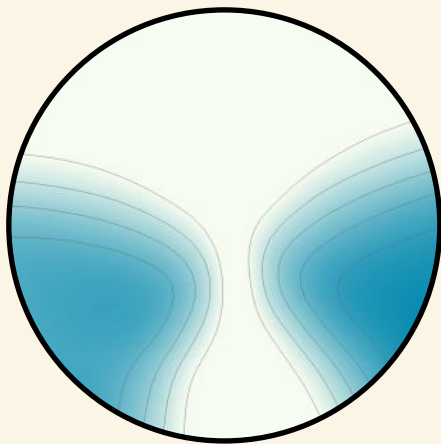
Index

All indices are available

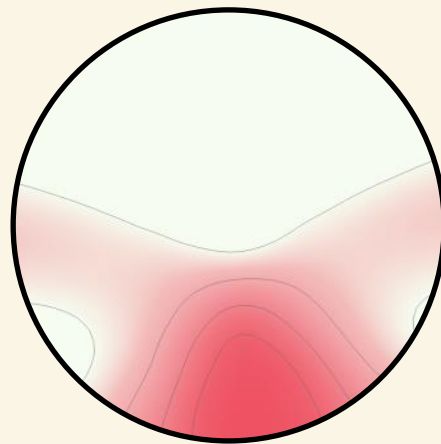


CROSSBOWS
optical

CUSTOM JUNIOR



Cylinder



Mean Power

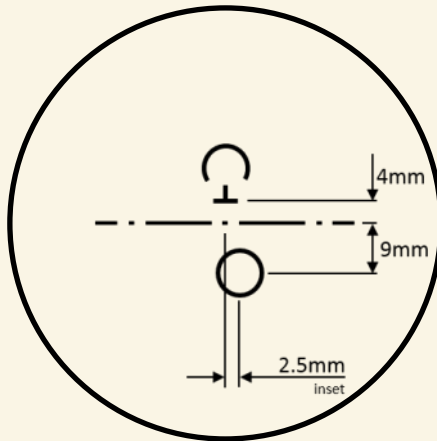
CUSTOM JUNIOR

The **Custom Junior** progressive is designed specifically to help reduce the onset of myopia in young people between the ages of 8 and 16 years. The design offers a large stable reading area combined with excellent peripheral clarity in the distance zone.



CROSSBOWS
optical

CUSTOM JUNIOR



Layout

Power Range

+6.00D to -10.00D, up to -4.00D cylinder

Additions

0.50D to 2.50D in steps of 0.25D

Index

All indices are available