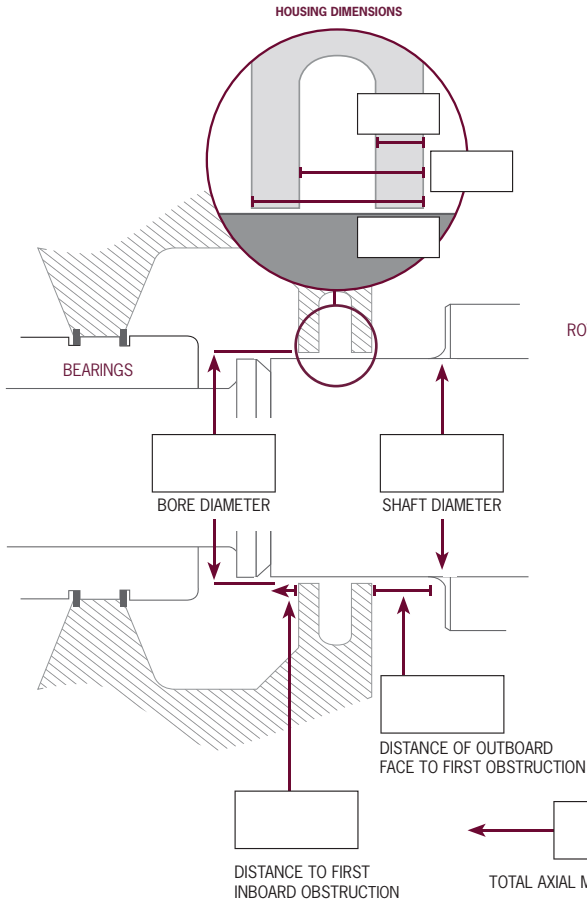
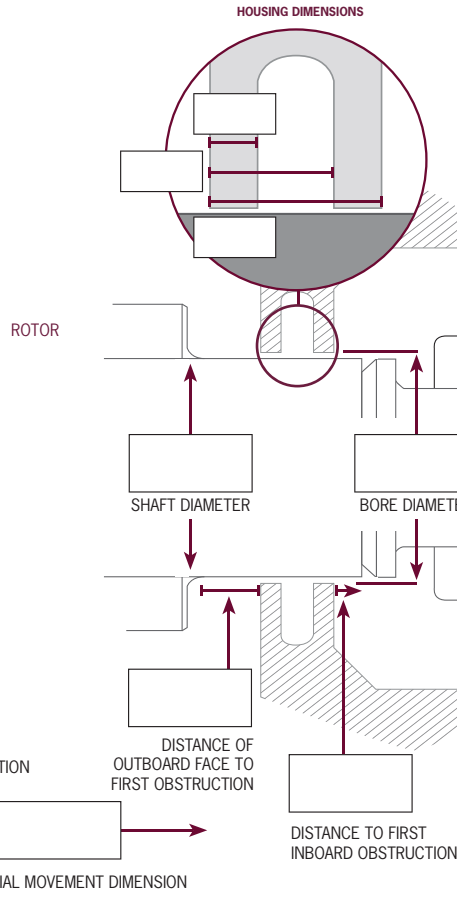


SLEEVE BEARING MOTOR REQUEST FOR QUOTE

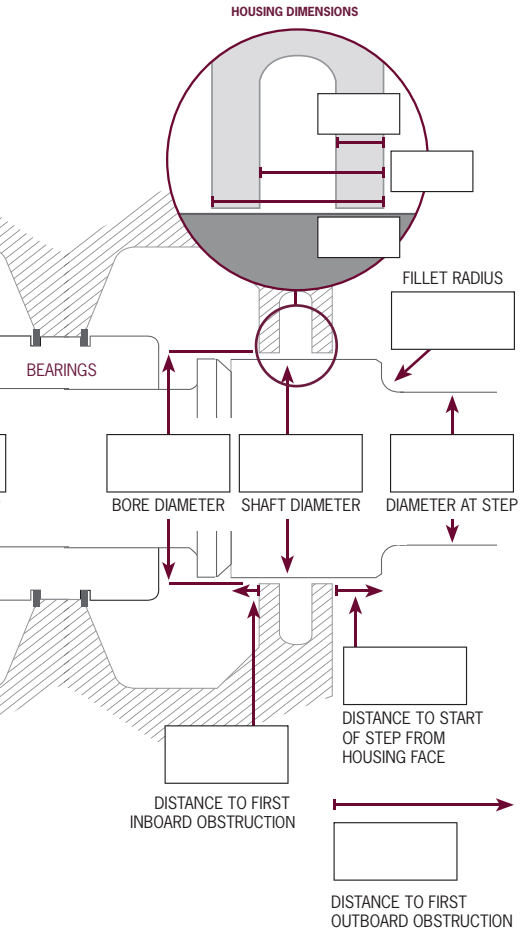
OPPOSITE DRIVE END INBOARD



OPPOSITE DRIVE END



DRIVE END



AXIAL MOVEMENT DIMENSION WITH ROTOR THRUSTING TOWARD: ODE DE

MEASUREMENTS: US STANDARD METRIC (SUPPLY ALL DIMENSIONS TO 3 DECIMAL PLACES)

Data Needed For Quote

SHAFT SPEED: _____

SEAL LOCATION: Drive End Opposite Drive End
Opposite Drive End Inboard

HOUSING TYPE: Solid Split

SEAL TYPE: Solid Split

CONSTRUCTION MATERIAL: Bronze Stainless Other

LUBE: Oil Forced Oil System

HOUSING VENTED: Yes No

TOTAL PIECES OF EQUIPMENT: _____

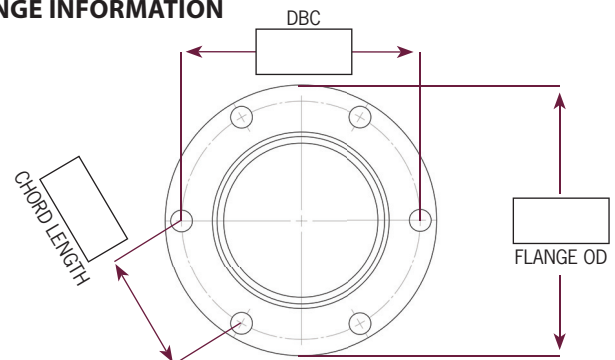
PRESSURE BALANCE PASSAGE TO ATMOSPHERE: Yes No

PRESSURE BALANCE PASSAGE TO SUMP: Yes No

CONTACT FOR QUESTIONS: _____

BRIEFLY DESCRIBE THE APPLICATION _____

FLANGE INFORMATION



Number of Bolt Holes: _____

Bolt Size: _____

Fax RFQ sheet to 309-787-6114 or email info@inpro-seal.com