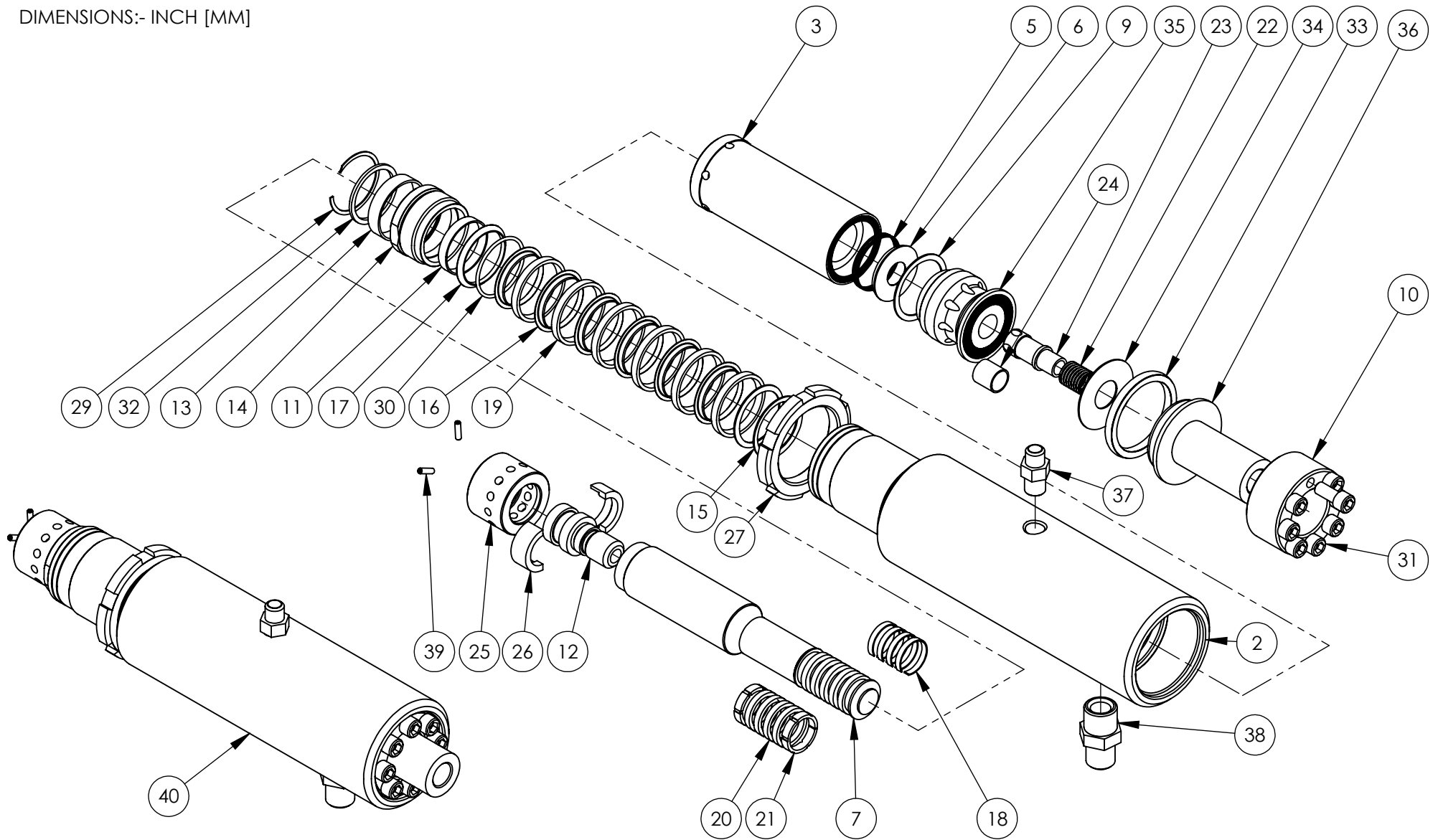
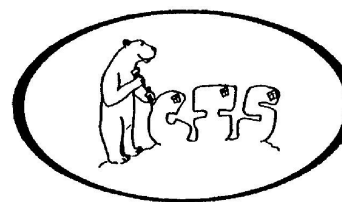


DIMENSIONS:- INCH [MM]



CR5125 COLD END, EXPLODED WITH BOM

DRG REF:-CWD-014-1



**CRYOGENIC &
INDUSTRIAL SPARES**

tel: +44(0)1493 732700
fax: +44(0)1493 733277
e-mail: cryoind@btconnect.com
www.crogonicind.com