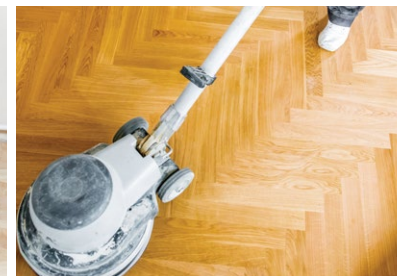




Whiteriver

wood for living



FLOOR FINISHING / ACCESSORIES **2019**



Liam Boylan
087 0671000
Liam.Boylan@wrg.ie



Barry Flanagan
041 686 1000
Barry.Flanagan@wrg.ie



Brian Carter
041 686 1000
Brian.Carter@wrg.ie

OPENING HOURS

MONDAY-THURSDAY

8.30am - 5.30pm

FRIDAY

8.30am - 4.30pm

Closed for lunch each day from
1.10pm-2pm.

Tel: 041 686 1000

Email: sales@wrg.ie

Web: www.wrg.ie

Welcome

We would like to welcome you to our new trade catalogue for 2019 and we hope you find the format easy to use and follow. In the last year we have pushed on to increase our offering and improve our product presentation. As a result of this we have launched new partnerships with Vermeister and Sherwin Williams and strengthened our existing partnerships with Junckers and Lagler, which will help us offer our customers solutions for all their flooring requirements. We would like to thank you for your support and custom over the last year and we look forward to working with you again in the year ahead.

Orders & Deliveries

Deliveries normally take 1-2 working days from date of order.

If you need an urgent delivery, contact our office and we will try our best to accomodate you within reason.

Collections must be made at least 30 minutes prior to closing.

Via Roadfreight

1m pallet

Delivery premises must be attended at all times with facilities to unload pallets. Penalties will apply for additional unloading time.

Fastway Courier Charges

Per Carton / Box

*Delivery premises must be attended at all times.
Signature required on delivery.*

Lägler® PERFECT SANDING



LÄGLER offers the most comprehensive and highest quality range of machines for the professional sanding of wooden floors and the preparation of subfloors.

For more than 50 years, Lägler floor sanding machines represent functional and ergonomic perfection. They are easy to operate and easy to maintain.

At the same time, they meet the environmental and safety related requirements. The wood dust exposure of the machines was minimized as a result of focused research activities, while still providing the user unlimited mobility for sanding in confined areas. The LÄGLER standard offers integrated dust collection systems that remain significantly below the regulated wood dust exposure.

All over the world, wood floor contractors rely on LÄGLER floor sanders and they take advantage of innovative concepts, unmatched solutions, first-class product quality, highest efficiency and perfect work results.

For the benefit of its customers, LÄGLER continuously makes significant investments in basic research, training and consulting services as well as in future oriented manufacturing processes to protect and expand the technology advances of its machines.

LÄGLER - the singles source for floor sanding machines, abrasives and application engineering.



HUMMEL

Belt Sander

Legendary Technology, Ultra Reliable, 98% Dust Free.

The HUMMEL® belt sanding machine is the best-known floor sanding machine in the world, with thousands of models in use across the globe. Mature, long-life technology for perfect sanding quality and enormous machine power have made it the undisputed number one system for parquet floor finishing for decades. The combination of an aggressive sanding drum, three-stage drum pressure regulation and belt tensioning device with integrated automatically regulated belt guidance guarantees quick work and optimum sanding quality.

Convincing HUMMEL facts: extremely economical, belt can be changed in seconds, impressive working quality, low-fatigue work, fail-safe and sturdy design and optimised dust extraction.

Ideal use:

Perfect and economical sanding of both small and large areas even in critical areas such as mosaic inlays with soft wood.

TECHNICAL DATA

Single-phase AC motor with no-voltage release and thermal overload protection	230 V / 50 CPS / 2.2 kW
Fuse protection min.	16 Amperes
Sanding drum width	200 mm
Sanding drum speed	2400 rpm
Sanding belt dimensions	200 x 750 mm
Machine weight	79 kg

*Prices subject to change without notice.

Code	Product
F2210001	Hummel - Belt Sanding Machine



FLIP

Edge and Corner Sander

Super Aggressive, Quality Performance, 99% Dust Free.

FLIP means maximum efficiency for perfect, comfortable sanding of edges and corners without shoulders. The heart of the FLIP is the powerful motor with its enormous suction power and corresponding reserves. The unexpectedly handy weight of the FLIP is due to the abrasion-proof, glass-fibre reinforced plastic used in the motor casing, handle and attachment.

Like all Lägler machines, the FLIP has been designed down to the last detail with ergonomics, simple handling and maintenance in mind.

The FLIP has the “wood dust test” quality mark, making it the only edge and corner sanding machine in the world to work almost dust-free. There are 2 attachment lengths and 1 corner attachment available.

Ideal use:

Predestined for perfect and comfortable sanding without shoulders of difficult edge and corner areas.

TECHNICAL DATA

Universal motor with no-voltage release and thermal overload protection	230 V / 50 CPS / 1.35 kW
Fuse protection min.	10 Amperes
Sanding disc diameter	150 mm
Sanding disc speed under load	3100 rpm
Sanding disc speed corner attachment under load	7750 rpm
Machine weight	9.8 kg

*Prices subject to change without notice.

Code	Product
F2210003	Flip - Edge Sanding Machine



TRIO

Three Disc Sander

Perfect Finish, Powerful & Versatile, 99% Dust Free.

The TRIO is the versatile and powerful floor sanding machine in floor finishing.

From thorough sub-floor treatment via renovation work on pre-finished parquet floors to perfect fine and intermediate sanding, the three disc sanding machine covers a comprehensive spectrum.

The powerful motor has been optimally designed for both the heavy-duty and/or sensitive requirements of these areas of application. The integrated, sensor-monitored dust extractor and well thought-out filter system guarantee almost dust-free work. Disposal of the dust bag is also dust-free. Basic equipment ex factory: Universal sanding disc and additional 8 kg weight.

Ideal use:

Excellent for floor finishing and renovating solid wood, engineered, cork and stained floors. For cleaning and polishing as well as for the dry treatment of screed and sub-floors. Only suitable for dry processing. Suitable for sanding of Pandomo® floors.

TECHNICAL DATA

Single-phase AC motor with no-voltage release and thermal overload protection	230 V / 50 CPS / 1.8 kW
Fuse protection min.	16 Amperes
Number of sanding discs/brushes	3
Sanding disc/brush diameter	200 mm
Sanding disc/brush speed	600 rpm
Machine weight	78 kg

*Prices subject to change without notice.

Code	Product
F2210004	Trio - Three Disc Finishing Sanding Machine

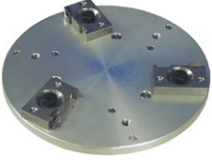

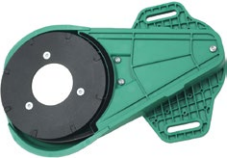




MACHINE ACCESSORIES

Item	Code	Part Number	Product
HUMMEL			
	F2410194	000.10.42.240	Milling Drum Aluminium drum, equipped with carbide indexable inserts, cutting depth adjustment and torx screwdriver.
	F2410200	100.63.00.100	Upgrade Kit LED Light The LED work light ensures that frequently occurring problems due to poor lighting conditions are no longer an issue. Providing optimum visual control over the sanded surface.
SINGLE			
	F2410196	850.02.40.100	Milling Disc Stainless steel disc, equipped with holders and ceramic reversible milling cutters.
	F2410197	850.02.50.100	Diamond Sanding Disc Stainless steel disc, equipped with diamond sanding segment.
	F2410198	850.02.52.100	Scrabber Disc, Wide Stainless steel disc, equipped with PCD-segments (protects the subfloor)
	F2410199	850.02.53.100	Scrabber Disc, Narrow Stainless steel disc, equipped with PCD-segments (more aggressive than scrubber disc, wide)



MACHINE ACCESSORIES

Item	Code	Part Number	Product
TRIO			
	F2410195	900.02.40.100	Milling Disc Aluminium disc, equipped with holders and carbide indexable inserts.
	F2410154	900.02.30.105	Brushing Disc Multi-purpose brushing disc for Lägler TRIO. Ideal for sweeping floors to remove dust from wood grain and can be used to apply waxes.
FLIP			
	F2410193	320.01.60.100	Milling Attachment Complete short attachment with PCD-milling disc and V-belt.
	F2410001	335.01.00.100	Corner Attachment Flip 225mm attachment for Lägler FLIP edger. This accessory is perfectly suited for fast, efficient dust free sanding of corner areas.
	F2410002	330.01.00.100	Corner Attachment Flip 315mm attachment for Lägler FLIP edger. This accessory is perfectly suited for fast, efficient dust free sanding of hard to reach areas such as under radiators.

Lägler® HUMMEL - SPARE PARTS



ATTENTION!

In order to receive the correct spare parts from us, please specify in inquiries and spare parts orders the serial numbers of your machine.

The motor type plate of HUMMEL is located on the switch box of motor (Fig. 5). The following technical data are specified on the motor type plate (Fig. 6):

1. Manufacturer
2. **Serial number of machine (Mach. - No.)**
3. Year of manufacture (Year)
4. Motor size (Type)
5. Required mains voltage in volt (V)
6. Current consumption in ampere (A)
7. Motor frequency in CPS (Hz)
8. Motor power in kilowatt (KW)
9. Motor speed in 1/min (Rpm)
10. Post factor in cosine phi (cos)
11. Insulation class (Insul. Cl.)
12. Protection class (Prot. Cl.)
13. Type of current
14. Country of manufacture

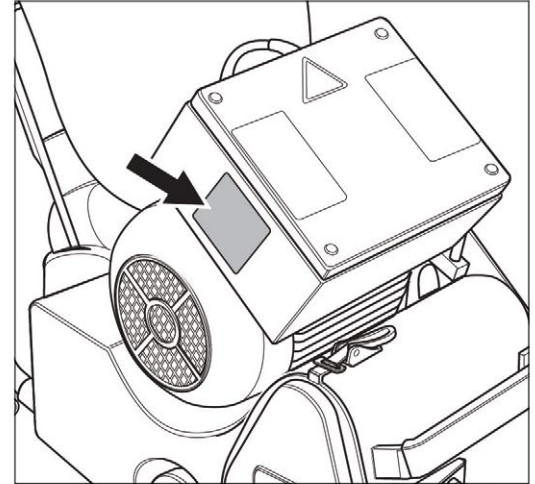


Fig. 5 Motor type plate on switch box.

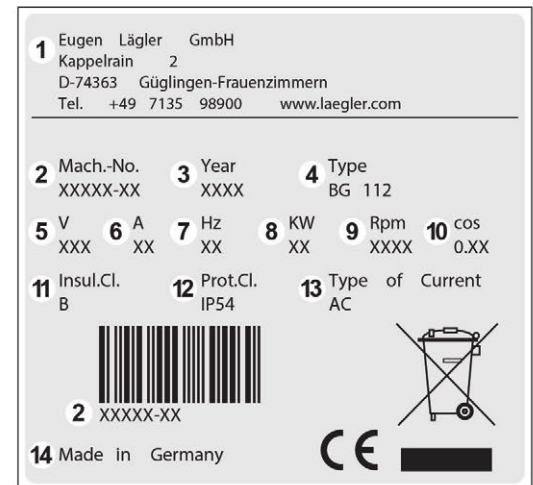
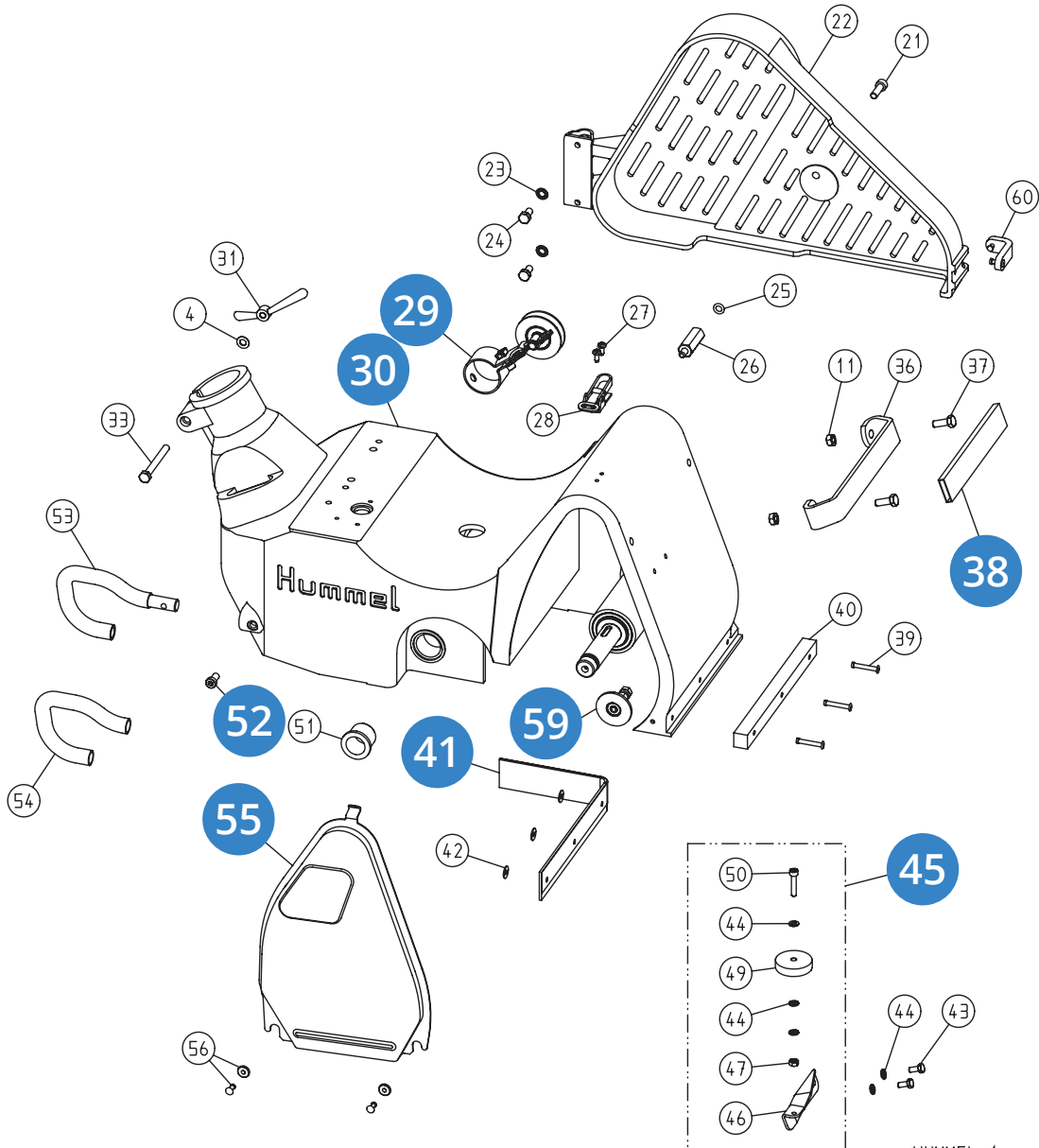


Fig. 6 Data on motor type plate.

SPARE PARTS - HUMMEL



HUMMEL 1
01.11.2014

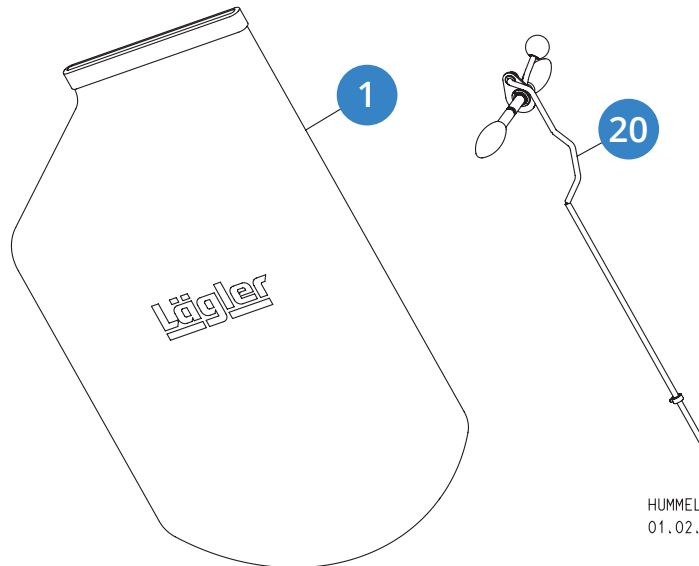
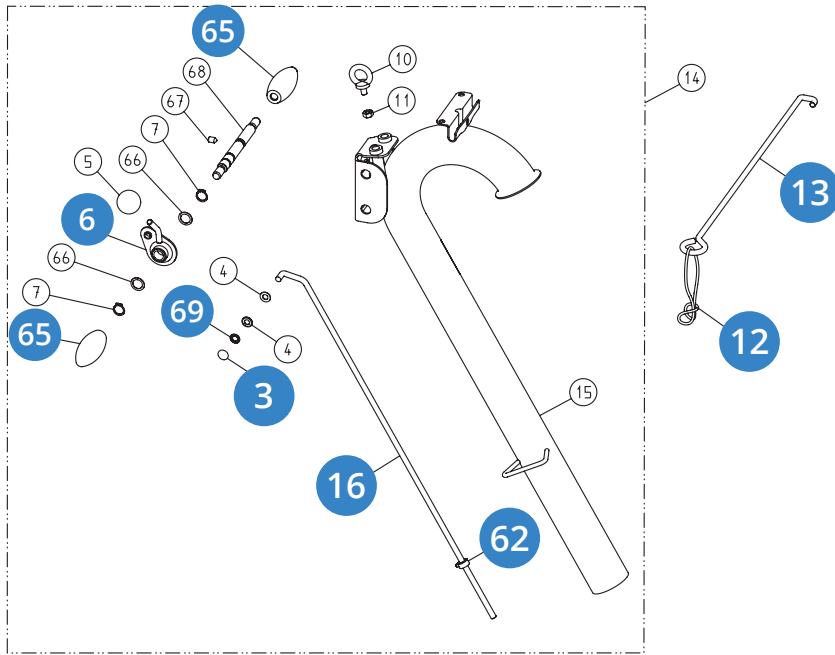


SPARE PARTS - HUMMEL

Item	Code	Part Number	Product
4		0125.1008.000	Washer
11		0980.1008.000	Nut
21		0912.1008.025	Screw
22		100.50.00.100	Belt guard, complete
23		6797.1008.000	Washer
24		0933.1008.016	Screw
25		000.01.40.001	O-ring
26		100.50.04.105	Screw stud
27		7500.1005.012	Screw
28		100.01.05.105	Cover Fastener
29	F2410084	100.58.00.200	Belt tensioner, complete
30	F2410131	100.01.00.100	Machine housing
31		000.20.45.083	Wing nut
33		0931.1008.075	Screw
36		100.33.01.100	Bracket
37		0933.1008.022	Screw
38	F2410180	100.33.02.100	Grip
39		7337.1005.033	Rivet
40		100.01.01.100	Bumper felt
41	F2410124	100.01.02.100	Sealing felt
42		9021.1005.000	Washer
43		0933.1006.014	Screw
44		0125.1006.000	Washer
45	F2410016	100.60.00.200	Wall-protecting roller with holder
46		100.60.01.100	Holder for wall - protecting roller
47		0934.1006.000	Nut
49		100.60.02.200	Wall-protecting roller
50		0912.1006.030	Screw
51		000.43.10.252	Plastic bushing
52	F2410182	7984.1008.016	Screw
53		100.44.00.100	Safety guard, complete
54		100.44.01.100	PVC tube
55	F2410015	100.01.03.100	Side cover
56		100.01.08.200	Collar nut, complete
59	F2410123	100.01.30.100	Guide roller, complete
60		100.50.05.100	Bumper guard with rivets



SPARE PARTS - HUMMEL



HUMMEL 2
01.02.2015

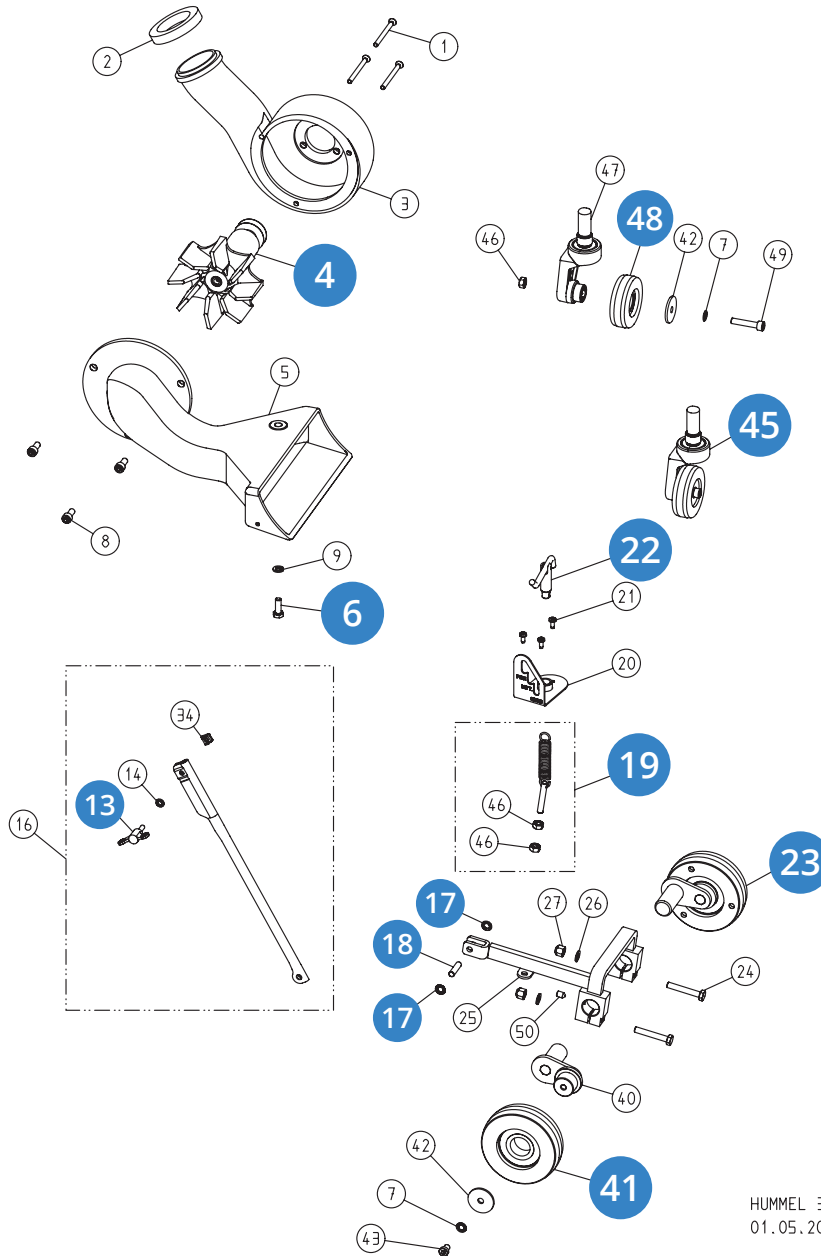


SPARE PARTS - HUMMEL

Item	Code	Part Number	Product
1	F2410014	100.00.80.105	Dust bag for HUMMEL, SUPERHUMMEL, ELF
3	F2410153	000.17.21.081	Fixing cap
4		0125.1008.000	Washer
5		000.20.56.351	Ball knob
6	F2410138	100.20.18.200	Lever
7		0471.0015.000	Circlip
10		0580.1008.000	Thread eye
11		0980.1008.000	Nut
12	F2410167	00.000.41.002	Strain relief ring
13	F2410162	100.20.26.100	Cable support, complete
14		100.20.00.200	Guide Tube, complete
15		100.20.01.200	Guide tube
16	F2410151	100.20.24.100	Upper rod, complete
20	F2410183	100.20.90.200	Upper rod HUMMEL/ELF for sinistrals, complete (conversion set)
62	F2410152	100.20.23.200	Adjusting ring, complete
65	F2410083	000.20.31.351	Handle
66		0988.0015.005	Washer
67		0914.0008.012	Grub screw
68		100.20.17.200	Axle for handle
69	F2410192	000.17.20.081	Quick-fixing-fastener



SPARE PARTS - HUMMEL



HUMMEL 3
01.05.2015

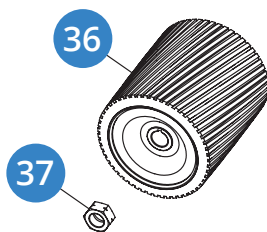
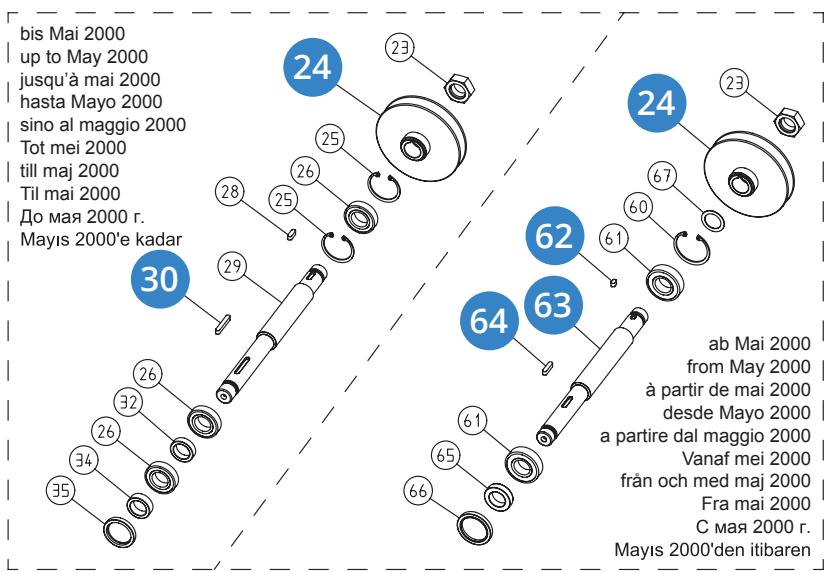
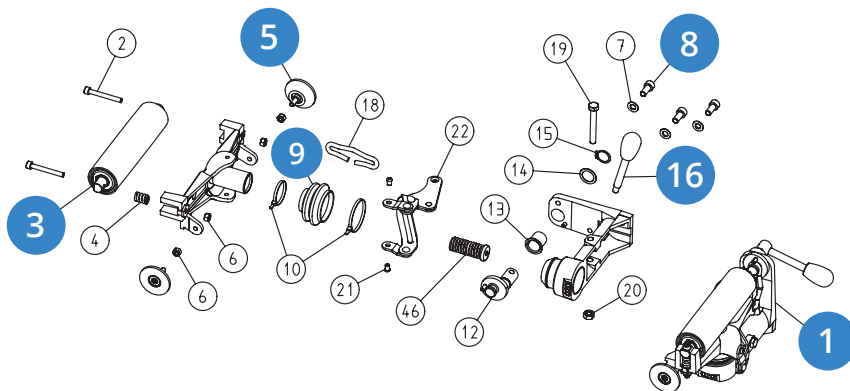


SPARE PARTS - HUMMEL

Item	Code	Part Number	Product
1		0965.1006.870	Screw
2		100.08.01.200	Sealing ring
3		100.08.00.100	Fan housing
4	F2410125	100.10.00.200	Fan insert, complete
5		100.14.00.100	Intake duct
6		0933.1008.022	Screw
7		6797.1008.000	Washer
8		0912.1008.018	Screw
9		0127.1008.000	Spring washer
13	F2410143	000.20.46.062	Wing screw
14		0125.1006.000	Washer
16		100.04.09.100	Lower rod, complete
17	F2410192	000.17.20.081	Quick-fixing-fastener
18	F2410191	100.04.01.200	Pivot pin
19	F2410122	100.04.25.100	Spring with screw, complete
20		100.04.06.200	Notch plate
21		7500.1005.012	Screw
22	F2410140	100.04.02.100	Spring tensioner, complete
23	F2410109	100.05.00.200	Lateral wheel, complete
24		0931.1008.050	Screw
25		100.04.00.100	Lifting fixture
26		0125.1008.000	Washer
27		6330.1008.000	Nut
34		000.50.12.061	Nut
40		100.05.04.200	Wheel arm
41	F2410106	100.05.29.100	Lateral wheel (from year of manufacture June 1999)
42		000.10.10.085	Washer
43		7984.1008.012	Screw
45	F2410107	100.18.00.300	Rear wheel, complete
46		0934.1008.000	Nut
47		100.18.18.300	Tail axle housing, complete
48	F2410108	100.18.29.105	Rear wheel (from year of manufacture 2002)
49		0912.1008.040	Screw
50		0914.0008.012	Grub Screw



SPARE PARTS - HUMMEL



HUMMEL 4
01.06.2013

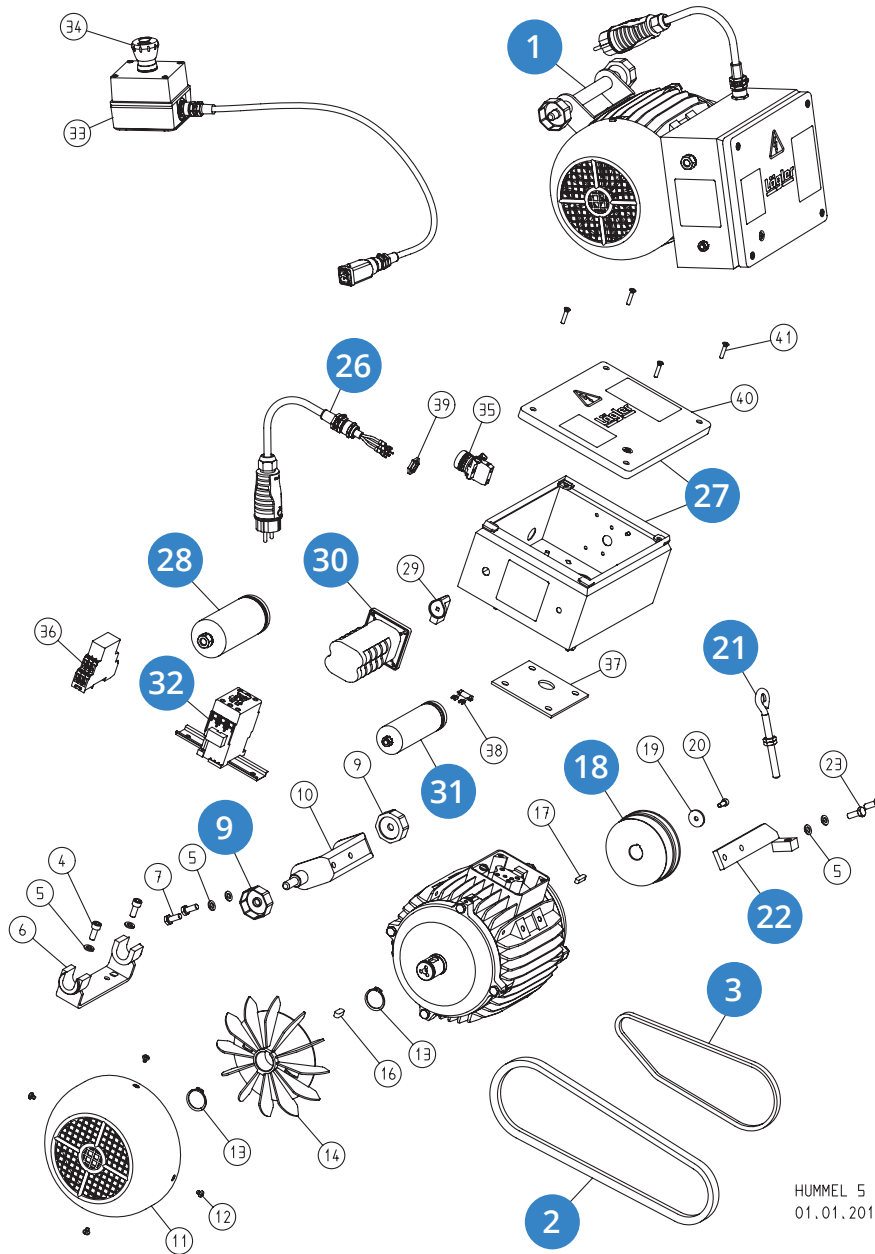


SPARE PARTS - HUMMEL

Item	Code	Part Number	Product
1	F2410012	100.45.00.100	Drive unit, complete
2		0912.1006.050	Screw
3	F2410005	100.45.12.105	Tensioning roller
4		000.31.13.021	Pressure spring
5	F2410160	100.45.01.105	Guide roller
6		0980.1006.000	Nut
7		0125.1008.000	Washer
8	F2410105	0912.1008.018	Screw
9	F2410141	100.45.81.105	Collar
10		000.61.10.363	Cable tie
12		100.45.20.100	Crank
13		100.45.24.105	Bearing bush
14		0988.0018.005	Washer
15		0471.0018.000	Circlip
16	F2410202	000.20.32.104	Operating lever
18		100.45.17.100	Clip
19		0931.1008.060	Screw
20		0980.1008.000	Nut
21		100.45.61.205	Screw
22		100.45.37.100	Double arm, complete
23		100.02.05.100	Nut, right-hand thread
24	F2410144	100.36.00.100	V-belt pulley
25		0472.0047.000	Circlip
26		6005.0025.205	Ball bearing
28		6885.0606.018	Parallel key
29		100.02.01.100	Sanding shaft
30	F2410147	6885.0606.040	Parallel key
32		100.02.04.105	Spacer ring
34		100.02.03.105	Slide ring
35		000.11.35.102	Shaft seal
36	F2410013	120.40.00.100	Sanding drum HUMMEL
		120.41.00.100	Sanding drum HUMMEL, hard rubber cover
37	F2410177	100.02.06.100	Nut, left-hand thread
46		100.45.45.100	Pressure spring
60		0472.0052.000	Circlip
61		6205.0025.205	Ball bearing
62	F2410146	6885.0606.010	Parallel key
63	F2410161	100.02.01.200	Sanding shaft
64	F2410148	6885.0606.025	Parallel key
65		100.02.03.200	Spacer ring
66		000.11.40.102	Shaft seal
67		0988.0025.010	Washer



SPARE PARTS - HUMMEL



HUMMEL 5
01.01.2019

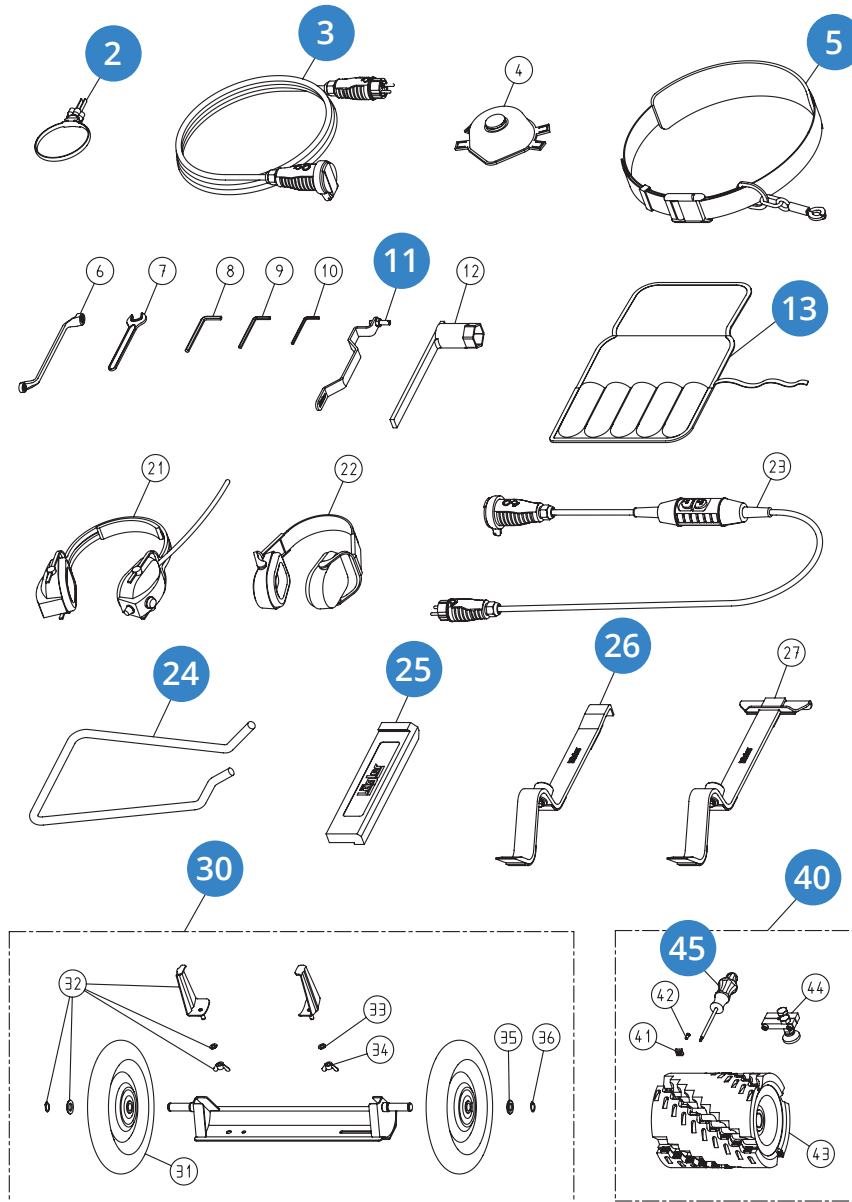


SPARE PARTS - HUMMEL

Item	Code	Part Number	Product
1	F2410097	100.65.00.100	Motor, 230V / 50 CPS / 2.2kW
2	F2410008	000.70.17.092	V-belt
3	F2410009	000.70.10.067	V-belt
4		0912.1008.020	Screw
5		0127.1008.000	Spring washer
6		100.65.29.200	Motor bearing bracket
7		0933.1008.020	Screw
9	F2410179	100.65.30.100	Motor nut
10		100.65.25.100	Motor mounting
11		100.65.09.100	Fan cover
12		7500.1005.006	Screw
13		0471.0030.000	Circlip
14		100.65.08.105	Fan wheel
16		6885.0807.020	Parallel key
17		6885.0606.025	Parallel key
18	F2410145	100.65.06.100	Motor pulley
19		000.10.10.061	Washer
20		0912.1006.014	Screw
21	F2410089	100.65.80.205	Eye bolt
22	F2410088	100.65.35.100	Motor tensioner
23		0933.1008.022	Screw
26	F2410110	100.65.75.100	Motor cable 3 x 2.5mm ² (from year of manufacture 2008)
27	F2410156	100.65.40.200	Switch box for 220 - 230V / 50CPS
28	F2410010	000.65.10.041	Running capacitor 40 µF
29		000.65.62.211	Switch button
30	F2410113	000.65.60.253	Switch
31	F2410011	000.65.10.061	Starting capacitor 60 µF
32	F2410114	000.65.20.035	Contacteur
37		100.65.14.105	Sealing plate
38		000.65.12.091	Discharging resistor
39		000.68.60.207	Nut (from year of manufacture 2008)
40		100.65.47.100	Cover with seal
41		7500.1005.825	Screw



SPARE PARTS - HUMMEL



HUMMEL 6
01.01.2019

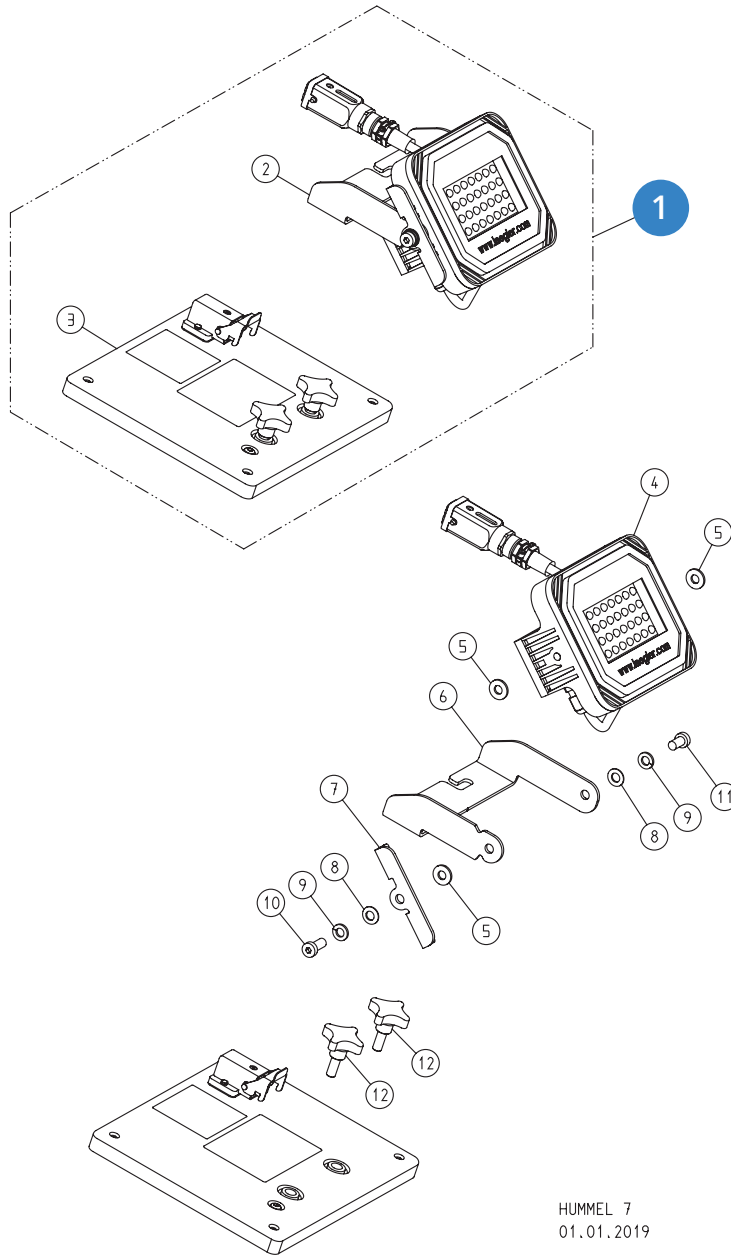


SPARE PARTS - HUMMEL

Item	Code	Part Number	Product
2	F2410017	000.01.40.110	Multiclip
3	F2410006	000.65.53.251	Extension cable 3 x 2.5mm², 10m long
	F2410007	000.65.53.252	Extension cable 3 x 2.5mm², 20m long
4		000.01.20.010	Respiratory protection mask P3
5	F2410077	000.01.50.010	Safety belt
6		000.95.21.103	Closed mouth wrench 10 / 13mm
7		000.95.11.171	Open mouth wrench 17mm
8		000.93.11.061	Hexagonal socket screw wrench 6mm
9		000.93.11.051	Hexagonal socket screw wrench 5mm
10		000.93.11.041	Hexagonal socket screw wrench 4mm
11	F2410201	100.00.50.100	Setting fixture
12		100.00.45.105	Box wrench
13		000.01.30.011	Tool bag, empty
	F2410139	100.98.00.100	Tool bag, complete
21		000.01.10.011	Foldable earmuff type MUSIMUFF with FM radio
22		000.01.10.021	Foldable earmuff type POCKET
23		000.01.65.020	Safety switch PRCD-S (for German mains supply)
24	F2410142	100.00.55.100	Carrying handle HUMMEL
25	F2410078	701.10.00.100	Impact tool
26	F2410079	702.00.00.200	Parquet layer tool ZUGEISEN, small
27		703.00.00.200	Parquet layer tool ZUGEISEN, broad
30	F2410003	702.00.00.200	Trolley TRANSCART, complete
31		720.05.00.205	Wheel TRANSCART
32		720.10.00.200	Accessories TRANSCART
33		0125.1008.000	Washer
34		0315.1008.000	Wing nut
35		0125.1006.000	Washer
36		0471.0017.000	Circlip
40	F2410194	000.10.42.240	Milling drum 200mm width, complete with accessories
41		900.02.45.105	Carbide indexable insert (10 pieces per package)
42		900.02.47.105	Screw for indexable insert
43		000.10.42.241	Milling drum with indexable inserts
44		000.10.42.243	Cutting depth adjustment, complete
45	F2410018	000.91.30.151	Torx screwdriver T15



SPARE PARTS - HUMMEL



HUMMEL 7
01.01.2019



SPARE PARTS - HUMMEL

Item	Code	Part Number	Product
1	F2410200	100.63.00.100	Upgrade kit Hummel LED light year of build 1989 onwards. The installation of the LED light must be carried out by a qualified electrician!
2		100.63.01.100	LED work light, complete
3		100.63.47.100	Cover of switch box, for LED light
4		100.63.03.100	LED work light
5		000.10.10.089	Washer
6		100.63.12.100	Light holder
7		100.63.13.100	Swivel stopper
8		0125.1008.000	Washer
9		0127.1008.000	Spring washer
10		7984.1008.020	Screw
11		7984.1008.016	Screw
12		000.20.20.085	Cross formed screw

Lägler® FLIP - SPARE PARTS



ATTENTION!

In order to receive the correct spare parts from us, please specify in inquiries and spare parts orders the serial numbers of your machine.

The type plate of FLIP is located on the motor housing (fig. 1). The following technical data are specified on the type plate (fig. 2):

1. Manufacturer
2. **Serial number of machine (Mach. - No.)**
3. Year of manufacture (Year)
4. Machine name (Type)
5. Required mains voltage in volt (V)
6. Current consumption in ampere (A)
7. Motor frequency in CPS (Hz)
8. Motor power in kilowatt (KW)
9. Motor speed in 1/min (Rpm)
10. Weight of machine in kilogram (Weight)
11. Insulation class (Insul. Cl.)
12. Protection class (Prot. Cl.)
13. Type of current
14. Country of manufacture

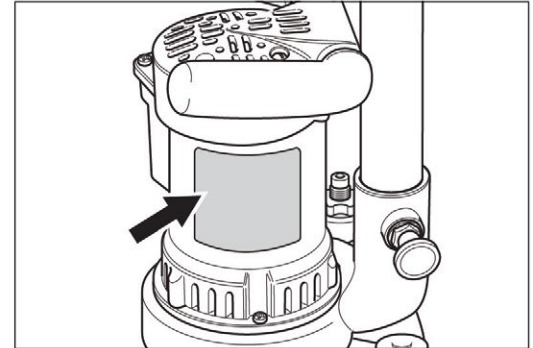


Fig. 1 Type plate on motor housing.

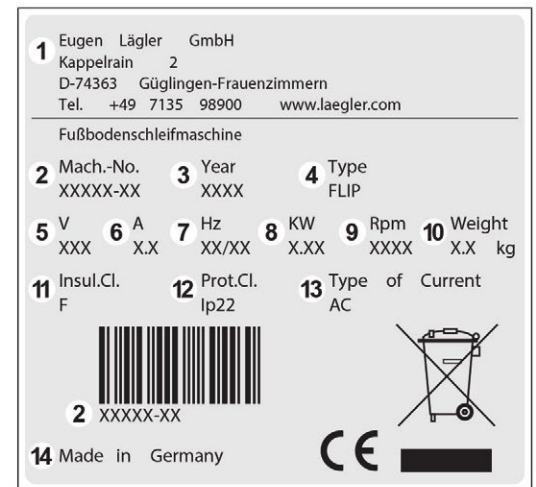
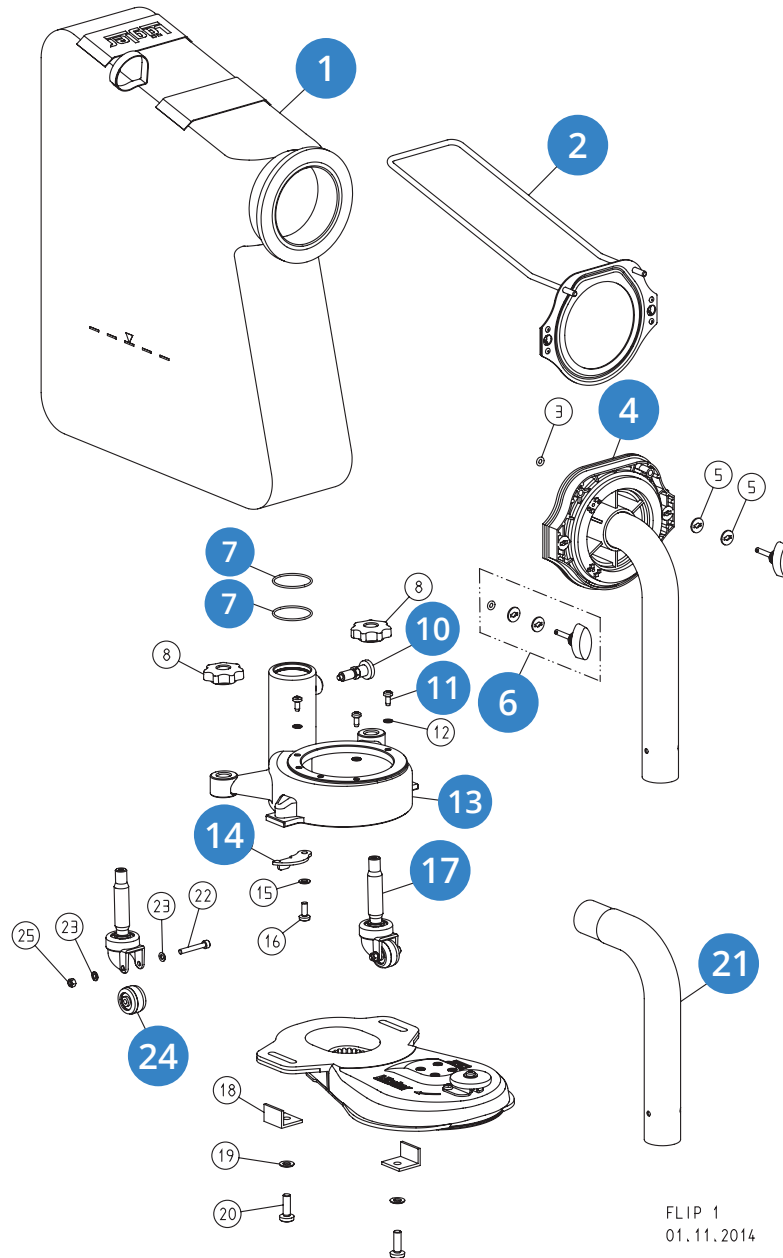


Fig. 2 Data on type plate.



SPARE PARTS -FLIP



FLIP 1
01.11.2014

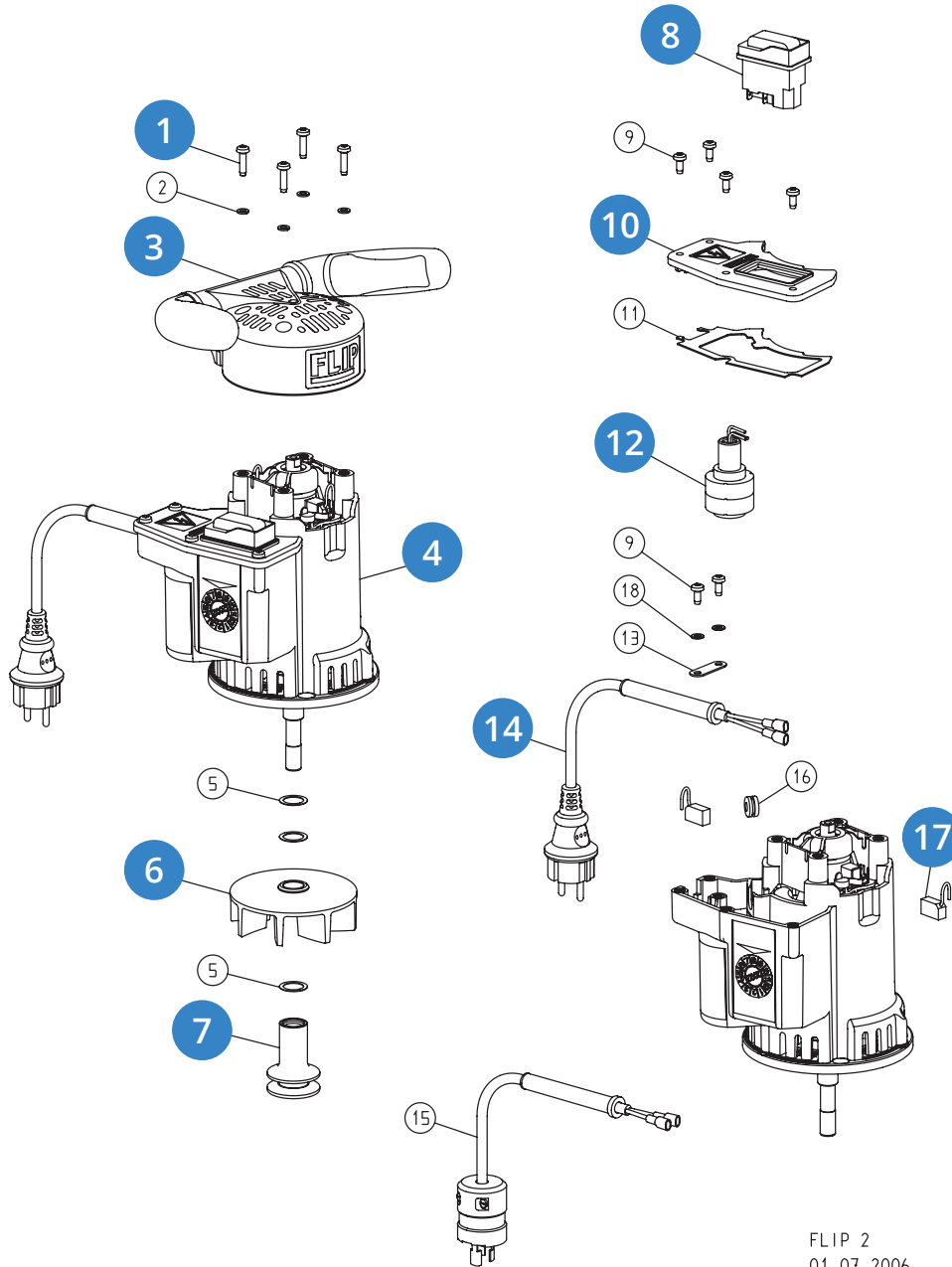


SPARE PARTS - FLIP

Item	Code	Part Number	Product
		320.00.80.100	Dust bag FLIP, complete
1	F2410050	320.00.86.105	Dust bag FLIP
2	F2410092	320.00.82.100	Fixing plate with bracket
3		000.11.05.901	O-ring
4	F2410103	320.14.00.100	Pipe socket, complete
5		000.10.10.055	Washer
6	F2410075	000.25.11.433	Locking pin
7	F2410090	000.11.40.901	O-ring
8		320.05.11.205	Star grip (locknut)
10	F2410203	000.20.15.005	Stop bolt
11	F2410175	7500.1005.012	Screw
12		0125.1005.000	Washer
13	F2410071	320.08.10.100	Fan housing, complete
14	F2410204	320.08.03.100	Belt tightener plate
15		0125.1006.000	Washer
16		7985.1006.816	Screw
17	F2410047	320.05.00.200	Guide roller, complete
18		320.01.09.100	Guide angle
19		0125.1008.000	Washer
20		7985.1008.825	Screw
21	F2410091	320.14.92.100	Pipe socket for vacuum cleaner connection, 38 + 40mm outside diameter
22		0912.1005.035	Screw
23		0125.1005.000	Washer
24	F2410087	320.05.09.305	Wheel
25		0980.1005.000	Nut



SPARE PARTS -FLIP



FLIP 2
01.07.2006

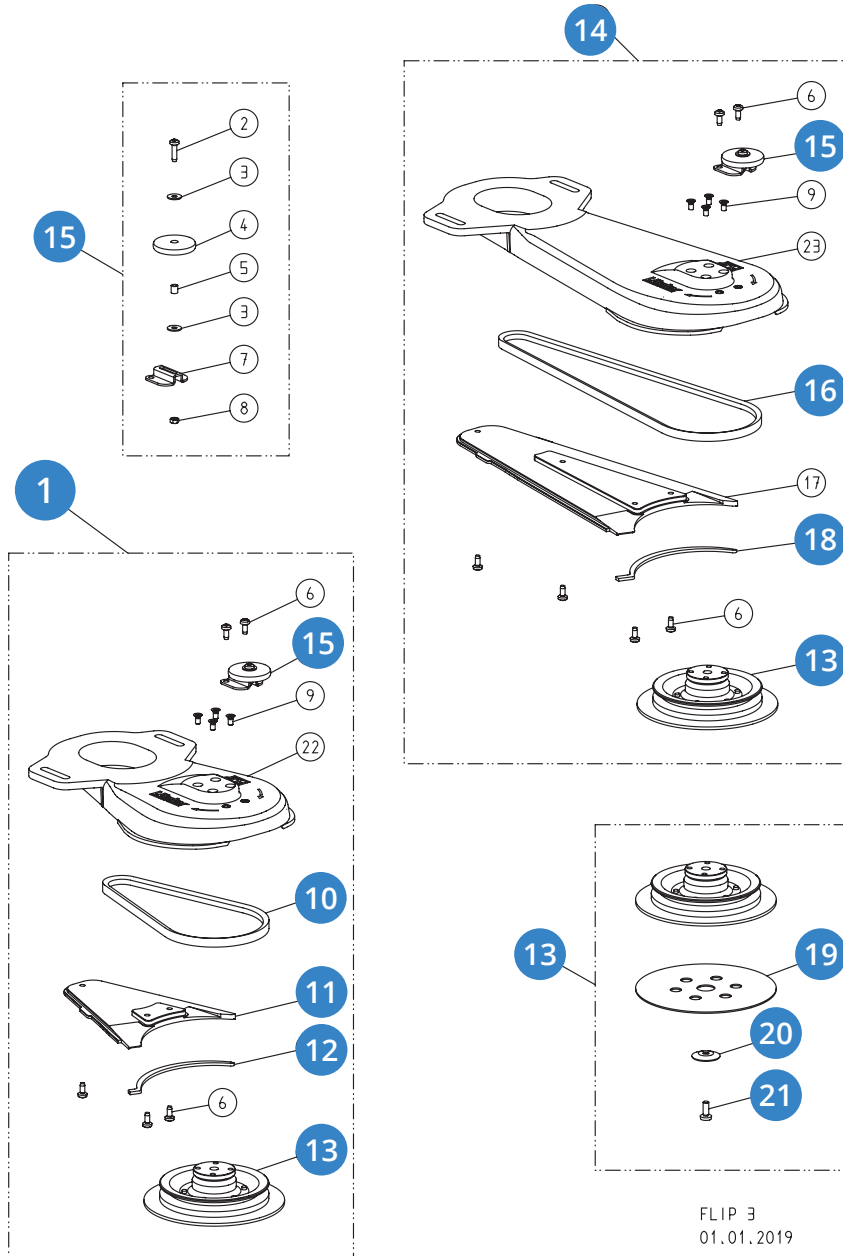


SPARE PARTS - FLIP

Item	Code	Part Number	Product
1	F2410117	7500.1005.020	Screw
2		0127.1005.000	Spring washer
3	F2410073	320.20.10.105	Handle FLIP
4	F2410066	320.65.00.100	Universal motor, 230V / 50 + 60 CPS
5		0988.0016.005	Washer
6	F2410072	320.10.10.200	Fan wheel
7	F2410051	320.65.06.100	Motor pulley
8	F2410045	000.65.60.256	Switch, 230V / 50 + 60 CPS
		000.65.62.160	PVC cap with switch frame
9		7500.1005.012	Screw
10	F2410100	320.65.47.100	Cover with seal
11	F2410183	320.65.48.105	Cover seal
12	F2410115	320.65.30.100	Interference-free capacitor, complete
13		320.65.59.100	Latch fastener
14	F2410067	000.65.42.151	Motor cable 2 x 1.5mm ²
16		000.63.12.071	Rubber tube
17	F2410048	000.65.84.012	Carbon brush FLIP
18		0125.1005.000	Washer



SPARE PARTS -FLIP

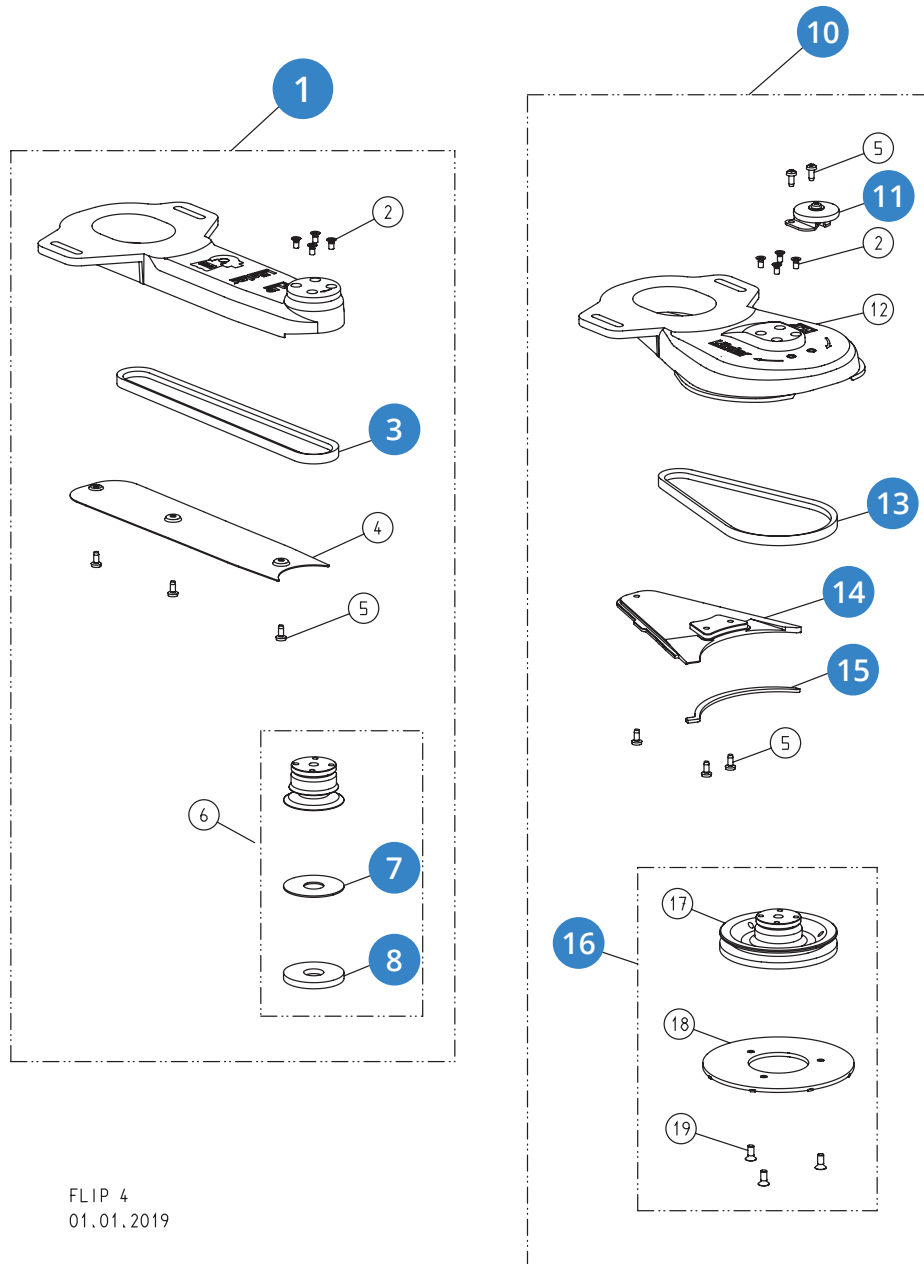




SPARE PARTS - FLIP

Item	Code	Part Number	Product
1	F2410101	320.01.00.100	Short attachment FLIP, complete
2		7500.1005.020	Screw
3		9021.1005.000	Washer
4		320.60.02.100	Wall-protecting roller
5		000.43.15.052	Bush
6		7500.1005.012	Screw
7		320.60.01.100	Holder for wall-protecting roller
8		0934.1005.000	Nut
9		0965.1005.810	Screw
10	F2410049	000.70.10.055	V-belt
11	F2410128	320.01.03.100	Attachment cover short, complete
12	F2410104	320.01.51.105	Seal (attachment cover short)
13	F2410068	320.01.91.100	Sanding plate, complete
14	F2410002	330.01.00.100	Long attachment FLIP, complete
15	F2410070	320.60.00.100	Wall-protecting roller with bracket
16	F2410082	000.70.10.087	V-belt
17		330.01.03.100	Attachment cover long, complete
18	F2410096	330.01.51.105	Seal (attachment cover long)
19	F2410046	350.03.35.205	Velcro disc 150mm
20	F2410069	320.02.05.100	Paper tensioning disc
21	F2410136	7985.1006.816	Screw
22		320.01.01.105	Short attachment FLIP (only housing)

SPARE PARTS -FLIP



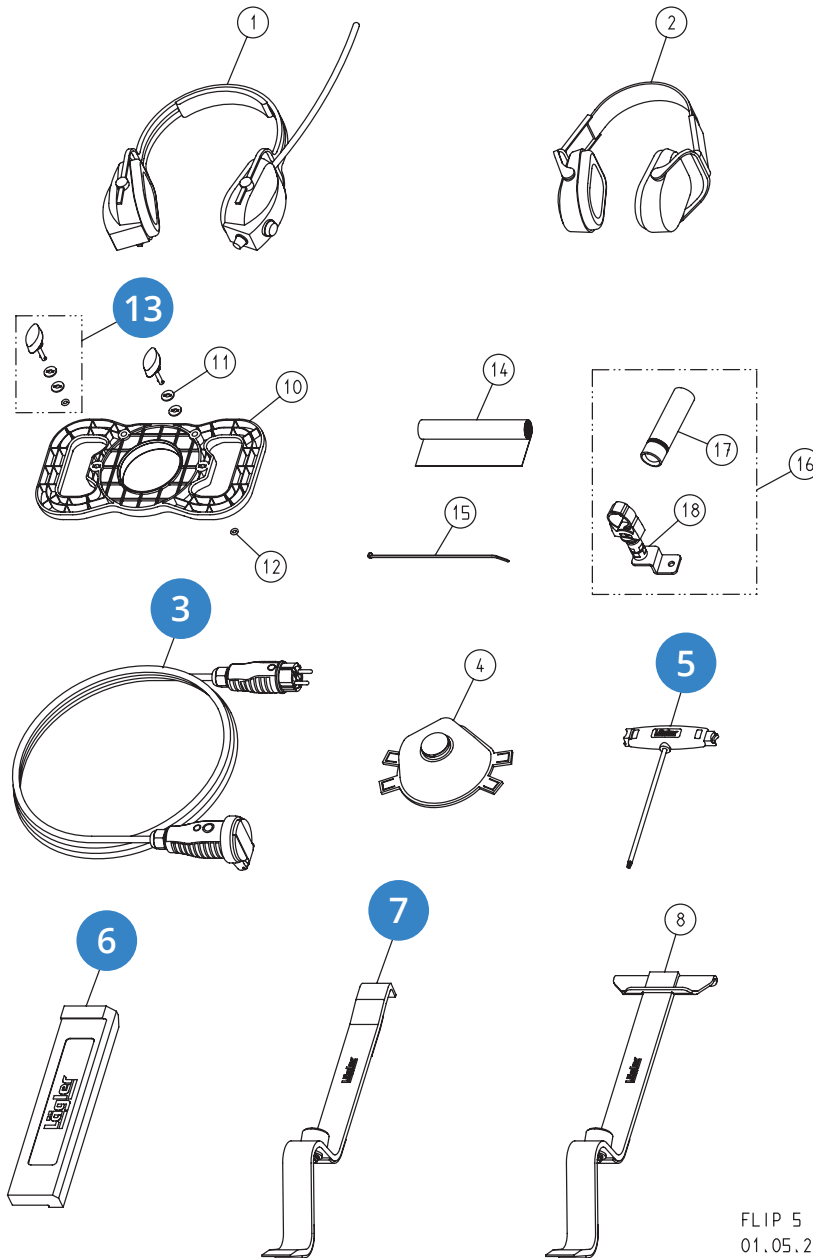


SPARE PARTS - FLIP

Item	Code	Part Number	Product
1	F2410001	335.01.00.100	Corner attachment FLIP, complete
2		0965.1005.810	Screw
3	F2410009	000.70.10.067	V-belt
4		335.01.02.100	Cover, corner attachment
5		7500.1005.012	Screw
6		335.01.91.100	Sanding plate for corner attachment, complete
7	F2410080	335.02.12.105	Velcro coating, self adhesive
8	F2410081	335.02.13.105	Velcro ring flexible
10	F2410193	320.01.60.100	Milling attachment FLIP, complete
11	F2410070	320.60.00.100	Wall-protecting roller with bracket
12		320.01.01.105	Short attachment FLIP (only housing)
13	F2410049	000.70.10.055	V-belt
14	F2410128	320.01.03.100	Attachment cover short, complete
15	F2410104	320.01.51.105	Seal (attachment cover short)
16	F2410205	320.01.61.100	Milling disc FLIP, complete
17		320.03.60.100	Pulley, milling attachment FLIP
18		320.02.21.100	Milling disc FLIP
19		0965.1006.814	Screw



SPARE PARTS -FLIP



FLIP 5
01.05.2015



SPARE PARTS - FLIP

Item	Code	Part Number	Product
1		000.01.10.011	Foldable earmuff type MUSIMUFF with FM radio
2		000.01.10.021	Foldable earmuff type POCKET
3	F2410102	000.65.53.151	Extension cable 3 x 1.5mm², 10m long
4		000.01.20.010	Respiratory protection mask P3
5	F2410076	000.91.40.001	Universal spanner
6	F2410078	701.10.00.100	Impact tool
7	F2410079	702.00.00.200	Parquet layer tool ZUGEISEN, small
8	F2410183	703.00.00.200	Parquet layer tool ZUGEISEN, broad
10	F2410183	320.00.70.100	Emptying fixture, complete
11		000.10.10.055	Washer
12		000.11.05.901	O-ring
13	F2410075	000.25.11.433	Locking pin
14		00.000.25.570	Waste bag
15		000.61.10.363	Cable tie
16		320.63.00.100	Working light FLIP, complete
17		320.63.10.100	Working light FLIP
18		320.63.20.100	Lighting bracket FLIP

Lägler® TRIO - SPARE PARTS



ATTENTION!

In order to receive the correct spare parts from us, please specify in inquiries and spare parts orders the serial numbers of your machine.

The motor type plate of HUMMEL is located on the switch box of motor (Fig. 5). The following technical data are specified on the motor type plate (Fig. 6):

1. Manufacturer
2. **Serial number of machine (Mach. - No.)**
3. Year of manufacture (Year)
4. Motor size (Type)
5. Required mains voltage in volt (V)
6. Current consumption in ampere (A)
7. Motor frequency in CPS (Hz)
8. Motor power in kilowatt (KW)
9. Motor speed in 1/min (Rpm)
10. Post factor in cosine phi (cos)
11. Insulation class (Insul. Cl.)
12. Protection class (Prot. Cl.)
13. Type of current
14. Country of manufacture

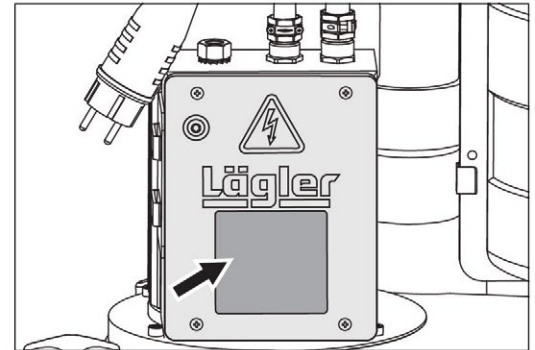


Fig. 1 Type plate on switch box of motor

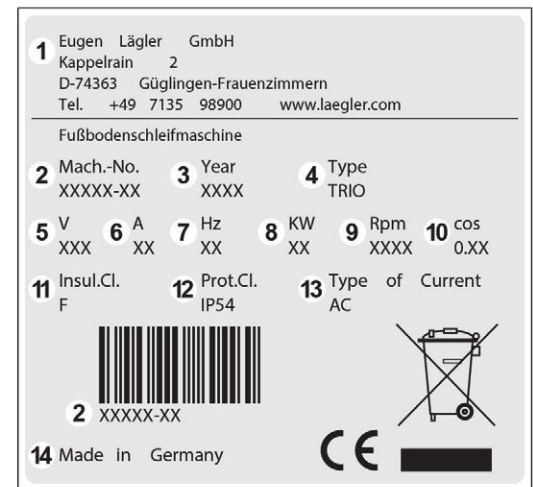
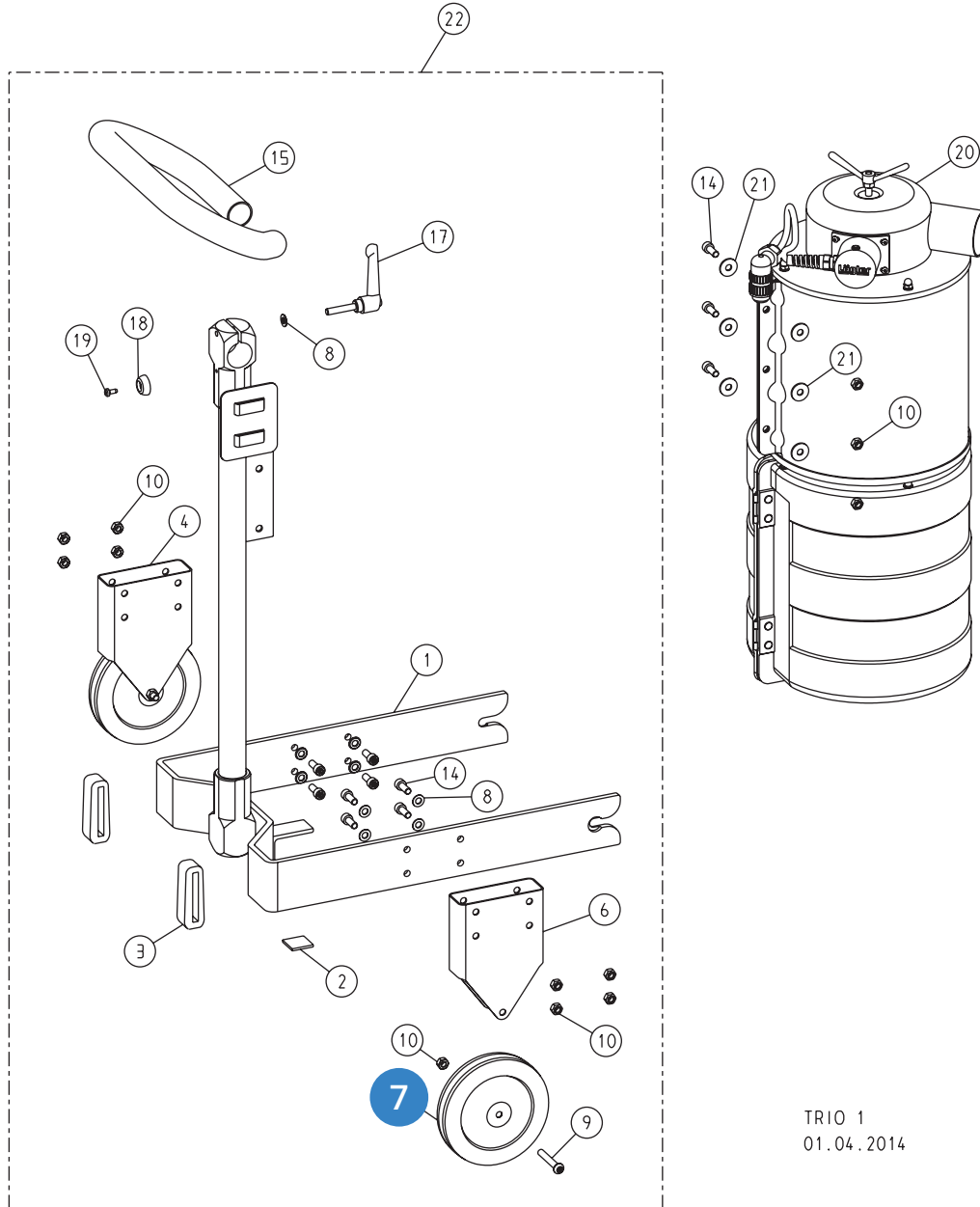


Fig. 2 Data on type plate.

SPARE PARTS -TRIO



TRIO 1
01.04.2014

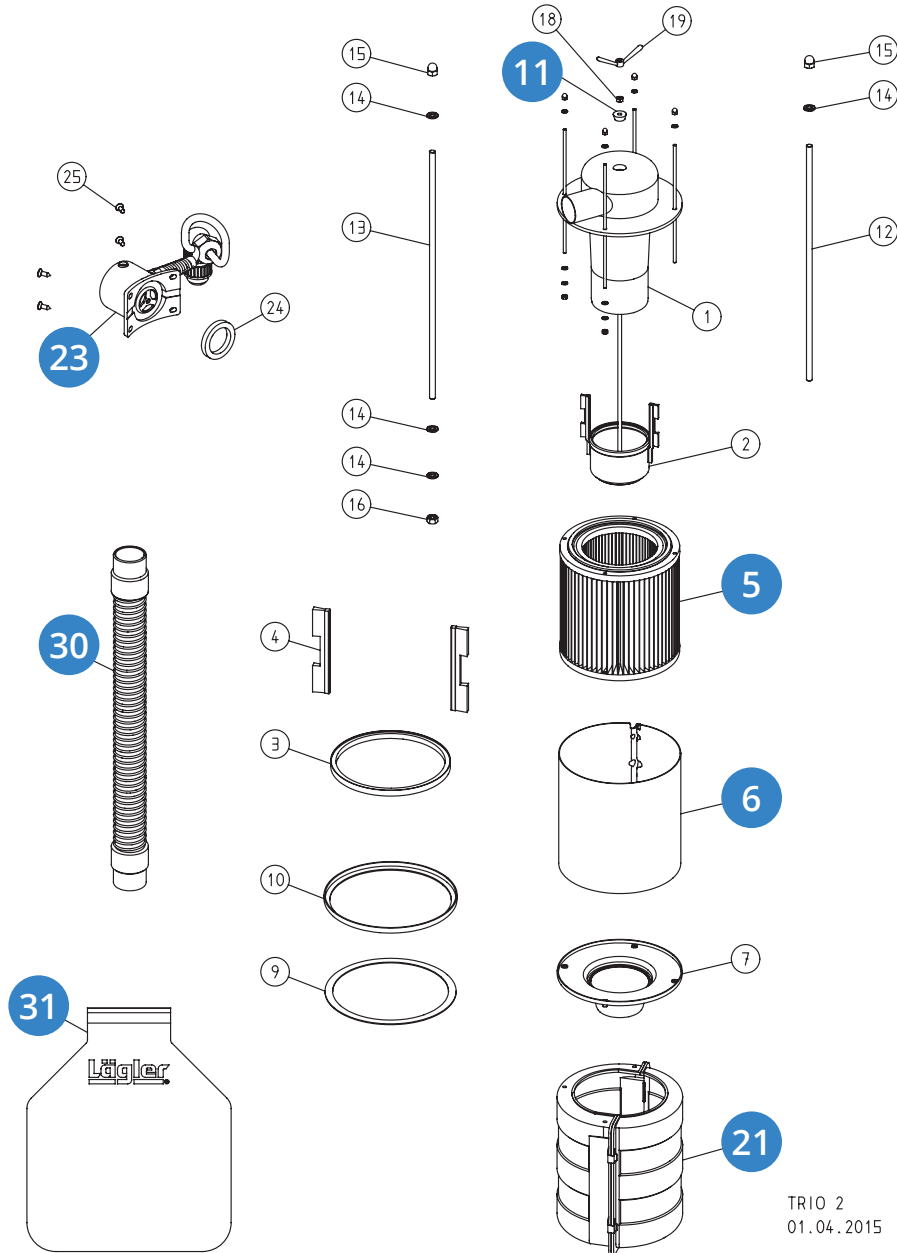


SPARE PARTS - TRIO

Item	Code	Part Number	Product
1		900.70.05.100	Frame, complete
2		900.70.25.105	Bumper felt
3		900.70.80.105	Protective rubber
4		900.70.36.100	Wheel, complete
6		900.70.34.100	Wheel holder
7	F2410044	900.70.32.105	Wheel
8		0125.1008.000	Washer
9		7380.1008.055	Screw
10		0980.1008.000	Nut
14		0912.1008.020	Screw
15		900.70.70.300	Handle
17		000.20.40.081	Clamping device
18		900.70.52.105	Rubber buffer
19		7500.1005.012	Screw
20		900.00.16.100	Dust separator, complete
21		9021.0208.000	Washer
22		900.70.00.100	Chassis, complete



SPARE PARTS -TRIO



TRIO 2
01.04.2015

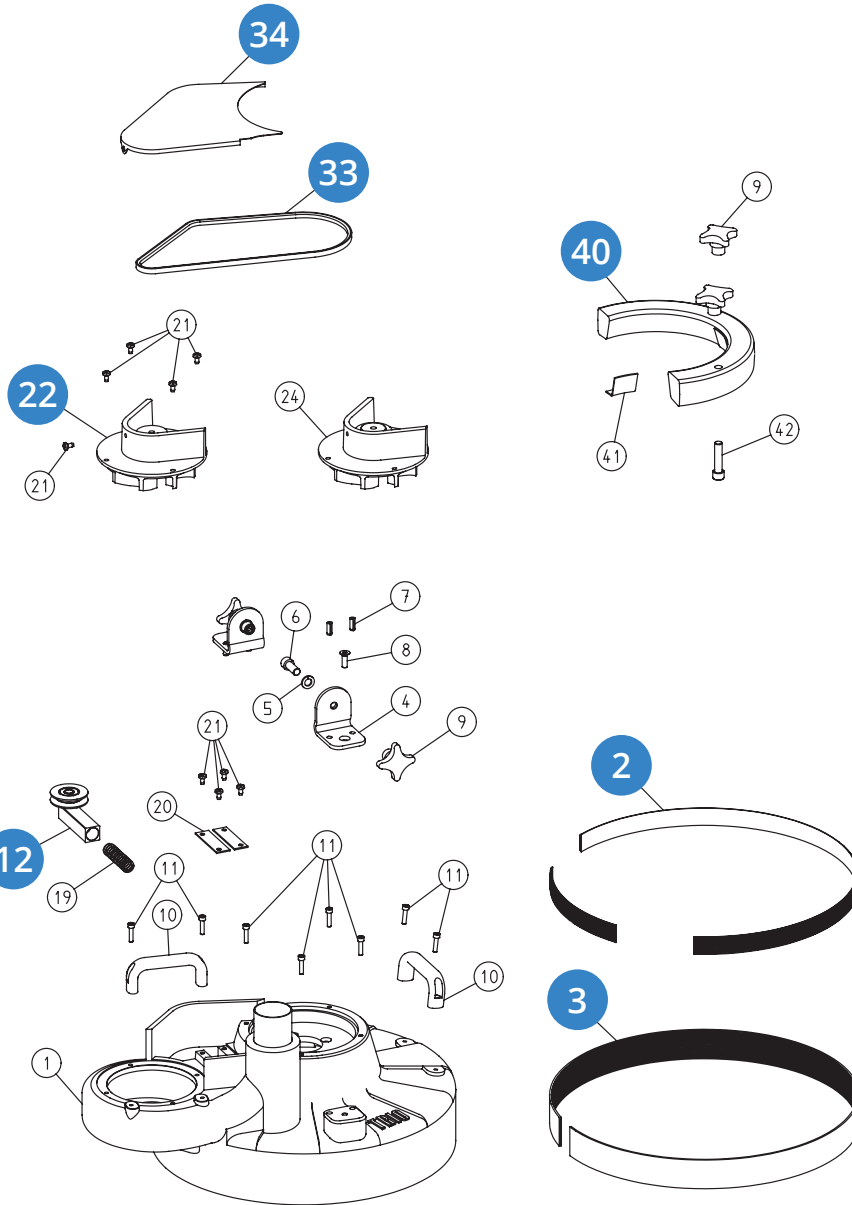


SPARE PARTS - TRIO

Item	Code	Part Number	Product
1		900.16.10.100	Separator upper part
2		900.16.21.100	Opener, complete
3		900.16.23.100	Sealing brush
4		900.16.45.105	Filter brush
5	F2410021	900.16.18.105	Filter cartridge
6	F2410028	900.16.19.100	Protective cover
7		900.16.17.100	Cover lower separator, complete
9		900.16.25.105	Sealing
10		900.16.22.100	Ring
11	F2410030	900.03.30.105	Rubber plug with hole
12		900.16.27.105	Screw, short
13		900.16.26.105	Screw, long
14		0125.1006.000	Washer
15		1587.1006.000	Cap nut
16		0980.1006.000	Nut
18		0934.1010.000	Nut
19		000.20.45.083	Wing nut
21	F2410112	900.17.00.200	Dust bag box, complete
23	F2410027	900.15.00.100	Pressure control sensor, complete
24		900.15.40.100	Sealing washer
25		7983.1042.013	Screw
30	F2410022	900.14.00.105	Hose
31	F2410023	900.00.80.105	Disposable dust bag TRIO (25 pieces per carton)



SPARE PARTS -TRIO



TRIO 3
31.10.2002

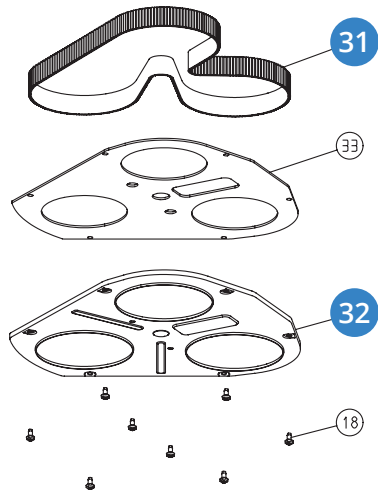
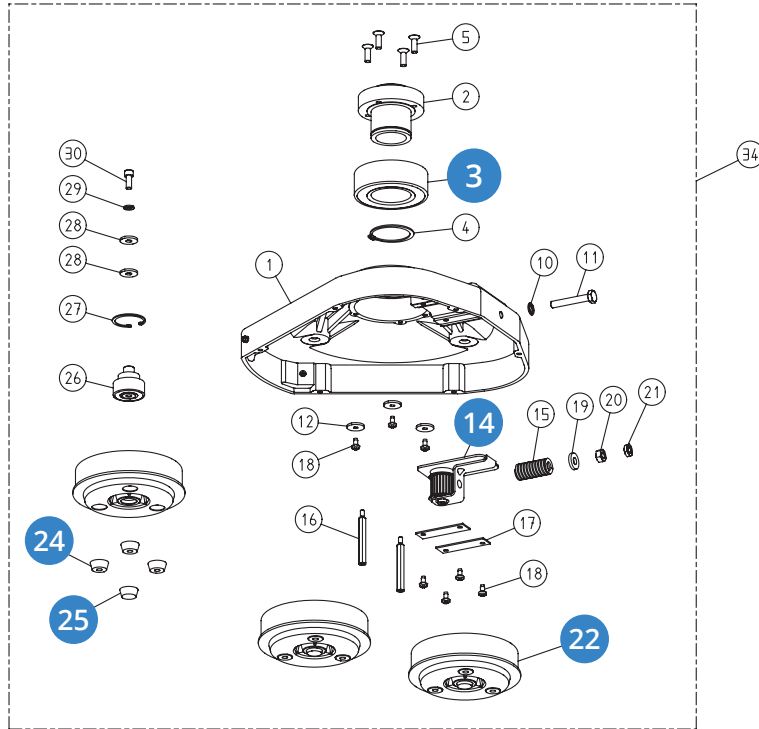


SPARE PARTS - TRIO

Item	Code	Part Number	Product
1		900.01.10.200	Machine housing
2	F2410020	900.01.42.100	Self-adhesive Velcro negative
3	F2410019	900.01.50.100	Velcro seal
		900.01.50.105	Velcro seal TRIO by the roll (50m)
4		900.01.60.100	Angle
5		0127.1012.000	Spring washer
6		0912.1012.030	Screw
7		1481.0008.020	Spring type straight pin
8		7991.1008.025	Screw
9		000.20.20.121	Cross grip
10		000.20.10.121	Handle
11		0912.1006.025	Screw
12	F2410042	900.58.00.200	Belt tensioner, complete
19		000.31.20.091	Pressure spring
20		900.01.20.200	Guide plate
21		7500.1006.012	Screw
22	F2410041	900.10.00.200	Fan insert complete, European version
33	F2410082	000.70.10.087	V-belt
34	F2410043	900.50.10.100	Belt guard
40	F2410127	900.80.00.100	Additional weight, complete
41		900.80.21.105	Felt
42		0912.1012.050	Screw



SPARE PARTS -TRIO



TRIO 4
01.04.2014

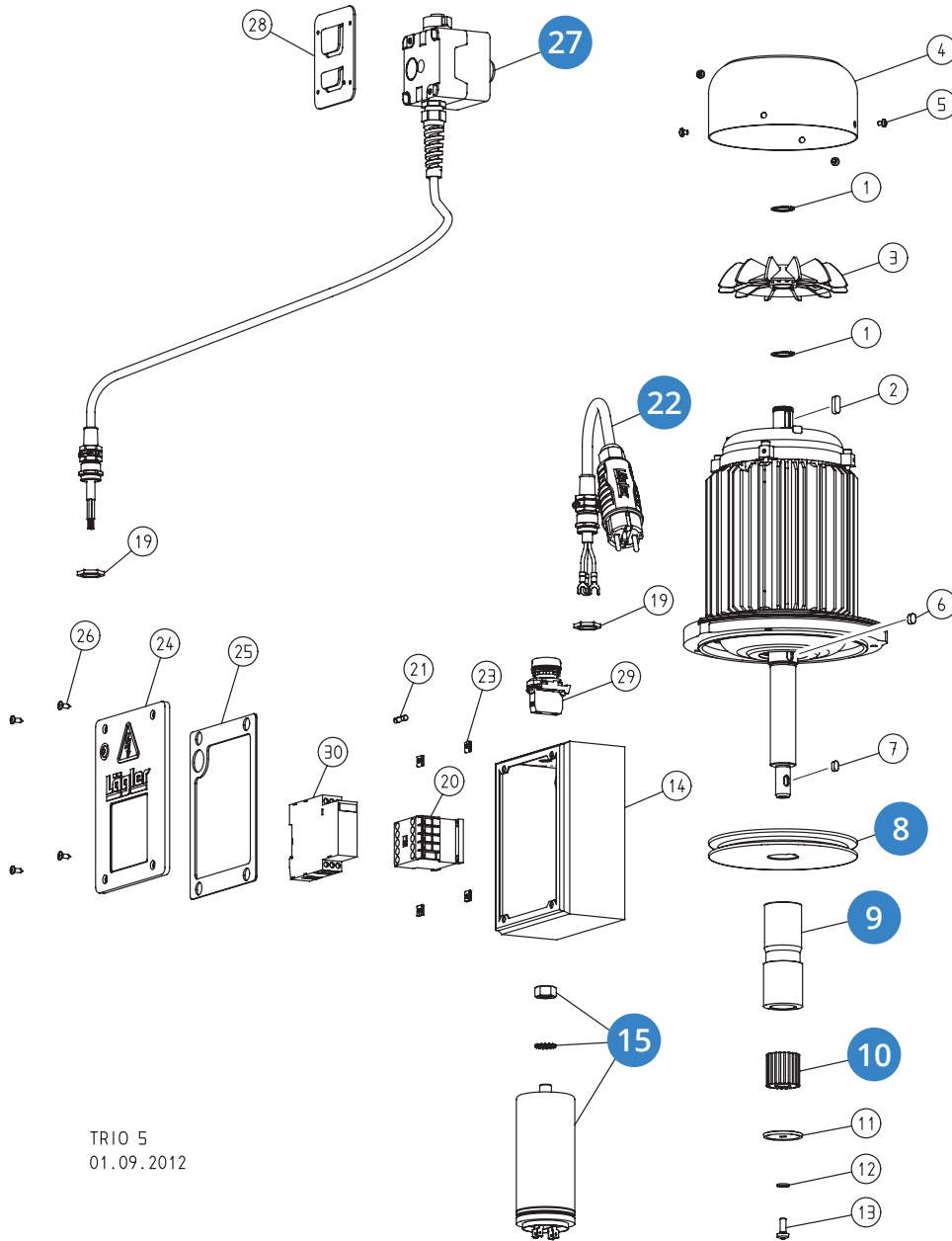


SPARE PARTS - TRIO

Item	Code	Part Number	Product
1		900.07.10.200	Inner housing
2		900.07.20.100	Pick up
3	F2410185	3212.0060.202	Ball bearing
4		0471.0060.000	Circlip
5		7991.1008.025	Screw
10		6797.1010.000	Washer
11		0933.1010.065	Screw
12		000.10.10.061	Washer
14	F2410040	900.67.00.200	Tooth belt tensioner, complete
15		000.31.25.061	Pressure spring
16		900.07.42.205	Bolt
17		900.01.20.200	Guide plate
18		7500.1006.012	Screw
19		7349.1010.000	Washer
20		0934.1010.000	Nut
21		0439.1010.000	Nut
22	F2410038	900.03.00.100	Pulley, complete
24	F2410030	900.03.30.105	Rubber plug with hole
25	F2410031	900.03.35.105	Rubber plug without hole
26		900.03.10.100	Axle pulley, complete
27		0472.0047.000	Circlip
28		000.10.10.081	Washer
29		0127.1008.000	Spring washer
30		0912.1008.020	Screw
31	F2410032	000.75.28.152	Tooth belt
32	F2410039	900.07.32.100	Cover complete
33		900.07.31.105	Sealing felt
34		900.07.00.100	Inner housing, complete



SPARE PARTS -TRIO



TRIO 5
01.09.2012

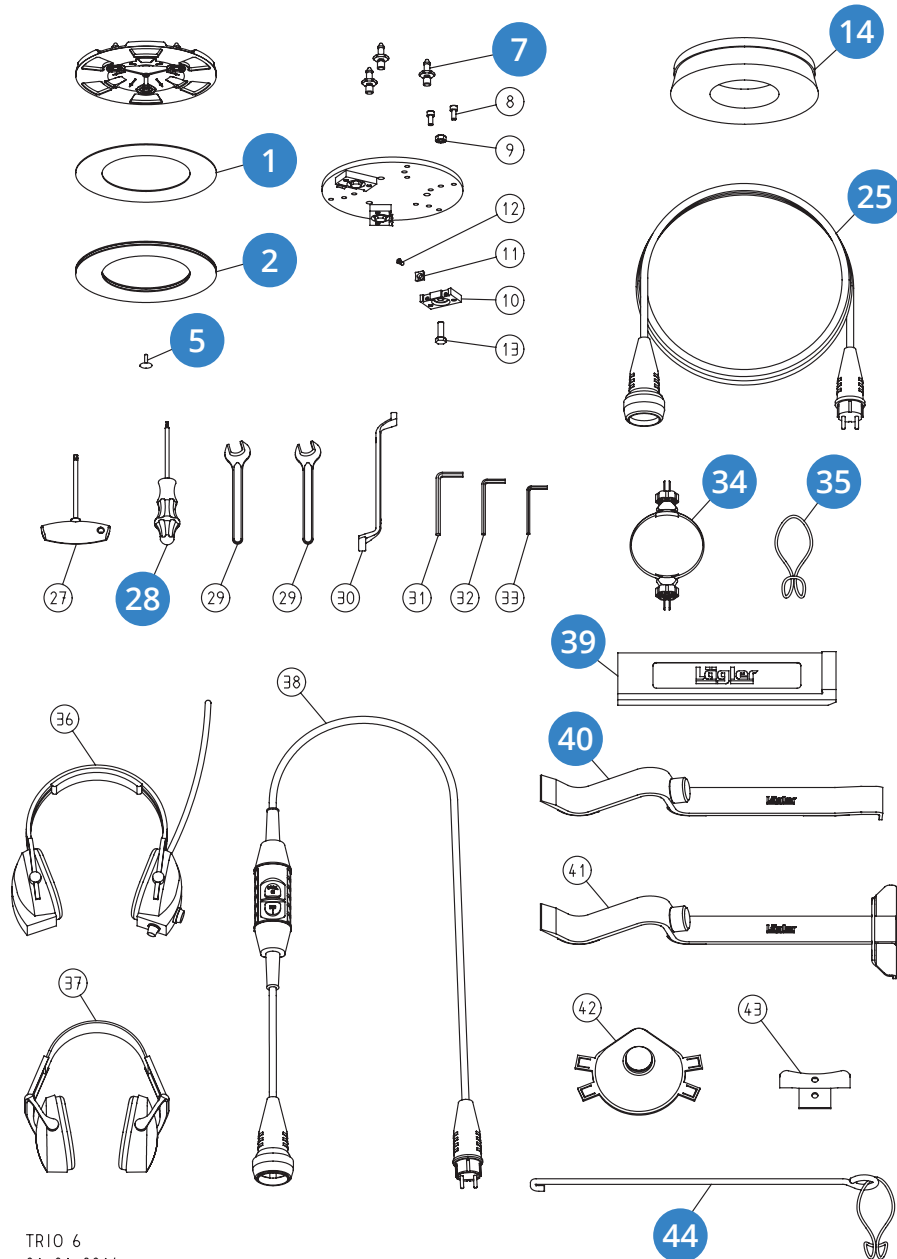


SPARE PARTS - TRIO

Item	Code	Part Number	Product
		900.65.00.100	Motor, 230V / 50 CPS / 1.8kW
1		0471.0020.000	Circlip
2		6885.0606.018	Parallel key
3		900.65.08.100	Fan blade
4		900.65.09.100	Fan cover
5		7985.1004.805	Screw
6		6885.0606.010	Parallel key
7		6885.0505.010	Parallel key
8	F2410034	900.65.06.100	Motor pulley
9	F2410035	900.65.43.200	Spacer sleeve
10	F2410036	900.65.41.105	Pinion
11		900.65.42.100	Washer
12		0127.1006.000	Spring washer
13		7985.1006.816	Screw
14		900.65.40.200	Switch box
15	F2410010	000.65.10.041	Running capacitor 40µF
19		000.68.60.207	Nut (from year of manufacture 2008)
		000.68.60.163	Nut (up to year of manufacture 2007)
20		000.65.20.012	Contactator
21		000.65.80.061	Fuse. 6.3 A
22	F2410110	100.65.75.100	Motor cable 3 x 2.5mm² (from year of manufacture 2008)
	F2410111	000.65.43.251	Motor cable 3 x 2.5mm² (up to year of manufacture 2008)
23		000.50.10.109	Clip nut
24		900.65.47.100	Cover with seal
25		465.65.48.105	Cover seal
26		7983.1042.013	Screw
27	F2410037	900.65.60.200	Switch, complete (from year of manufacture 2008)
		900.65.60.100	Switch, complete (up to year of manufacture 2007)
28		900.65.55.200	Bracket



SPARE PARTS -TRIO



TRIO 6
01.01.2014



SPARE PARTS - TRIO

Item	Code	Part Number	Product
	F2410159	900.02.10.200	Sanding plate, complete
1	F2410025	900.02.12.305	Velcro ring 200mm
2	F2410026	900.02.13.205	Velcro ring flexible 200 / 125mm diameter
5	F2410004	900.02.23.205	Plastic pin
	F2410195	900.02.40.100	Milling disc TRIO, complete
7	F2410184	900.02.42.105	Fastening bolt
8		0912.1006.014	Screw
9		0934.1008.000	Nut
10		900.02.43.100	Holder for indexable inserts
11		900.02.45.105	Carbide indexable insert (10 pieces per box)
12		900.02.47.105	Screw for indexable insert
13		900.02.49.105	Special screw
14	F2410154	900.02.30.105	Brushing disc TRIO
25	F2410006	000.65.53.251	Extension cable 3 x 2.5mm ² , 10m long
	F2410007	000.65.53.252	Extension cable 3 x 2.5mm ² , 20m long
28	F2410018	000.91.30.151	Torx screwdriver T15
29		000.95.11.171	Open mouth wrench 17mm
30		000.95.21.103	Closed mouth wrench 10 / 13mm
31		000.93.11.061	Hexagonal socket screw wrench 6mm
32		000.93.11.051	Hexagonal socket screw wrench 5mm
33		000.93.11.041	Hexagonal socket screw wrench 4mm
34	F2410024	000.01.40.112	MultiClip TRIO
35	F2410167	00.000.41.002	Strain relief ring
36		000.01.10.011	Foldable earmuff type MUSIMUFF with FM radio
37		000.01.10.021	Foldable earmuff type POCKET
38		000.01.65.020	Safety switch PRCD-S (for German mains supply)
39	F2410078	701.10.00.100	Impact tool
40	F2410079	702.00.00.200	Parquet layer tool ZUGEISEN, small
41		703.00.00.200	Parquet layer tool ZUGEISEN, broad
42		000.01.20.010	Respiratory protection mask P3
43		900.70.56.100	Cable support bracket
44	F2410162	100.20.26.100	Cable support, complete



Cluide, Dunleer, Co. Louth
A92 V8YN
Phone: 00 353 41 686 1000
Fax: 00 353 41 686 2909
Email: sales@wrg.ie
www.wrg.ie