

REDWOOD

PVC STRIP CURTAINS



QUICKMOUNT CURTAIN SYSTEM

The easy-fit, push-on curtain for openings where child-safety is essential



REDWOOD QUICKMOUNT HEADRAIL SYSTEM

The extra-safe curtain system - ideal for schools and nurseries.

Recommended for any environment where safety is of paramount importance.

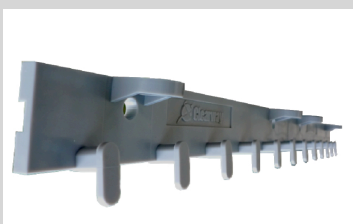
Polymer head rails come in standard lengths that are simply screwed/bolted into position.

Can be surface or soffit mounted and ganged up/cut to fit any width of door.

PVC strips come with holes pre-punched ready to hang.

They just push onto the headrails without the need for metal suspension plates, so no-one can be hurt if a strip is dislodged.

Takes 200mm PVC only.



50% overlap (up to 2.5m)



100% overlap (up to 3m)



Key Benefits:

- Cuts energy bills by preserving heat and/or air conditioning
- Totally safe if a strip detaches
- Keeps out dust, dirt, noise and flying pests
- Replacement strips available as cost-effective way to prolong the curtain's working life

For more information or to order:

Call: 01275 810289

Fax: 01275 810290

Email: sales@redwoodstripcurtains.co.uk



DOORSTRIP QUICKMOUNT™ SYSTEM

Installation

Important

Prior to installation, unroll all the PVC strips and place them on a clean, flat surface in a warm atmosphere for a minimum of twenty-four (24) hours. This will allow them to return to their original form.

1. Mount the QuickMount™ headrail in either the Soffit or Face Fixing positions shown in Diagrams 1 and 2 using suitable fixings.

2. Begin attaching the PVC strips. Start with numbers 1 and 3 (see Diagram 3). Hang with their concave sides towards you, leaving the desired spacing between the strips as indicated by the Strip Placement Guide.

Fit the strips onto the headrail pegs as follows: with the top of the strip angled back towards you, insert the bottom of the oval retaining pegs into the pre-punched holes. Then, using a quick up and over motion, lift the top part of the strip onto the top of the pegs until the strip rests securely in position.

3. Attach strip number 2 with its concave side facing away from you so that it interlinks with strip numbers 1 and 3.

4. Attach all remaining strips in the same manner as in Steps 2 and 3, making certain that all the concave sides face each other (Diagram 4).

5. Once all of the strips have been attached, the strips should be trimmed 20mm above floor level to allow them to hang freely. The strips can be trimmed using a standard craft knife.

Diagram 1
Soffit Position

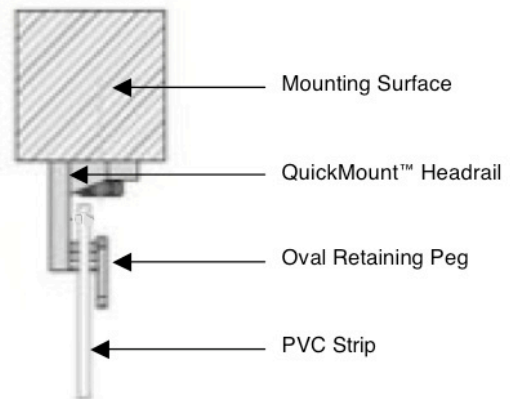


Diagram 2
Face Fixing Position

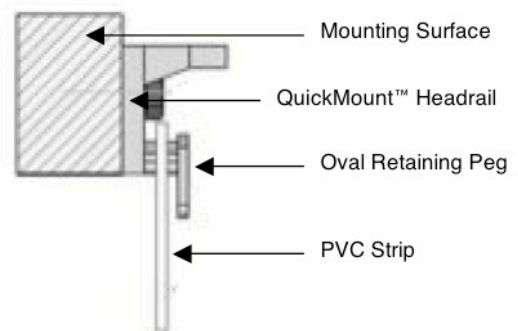


Diagram 3
Front View Strip Spacing

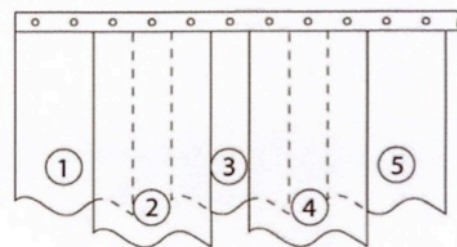


Diagram 4
Concave Sides Interlinking



DOORSTRIP

MEASURING FOR A QUOTE

To provide an accurate quote we need you to give us the right information. This is easy. All we need is the **Drop** measurement and the **Width** measurement of your opening.

We also need its location (e.g. fully internal or external facing) and the things which may need to pass through it (e.g. people and/or pallet trucks).

NOTE: WE DO NOT RECOMMEND THIS CURTAIN FOR FORKLIFT USE

Measurements for a standard door opening

Drop (D) From the underside of the uppermost section of door frame, all the way to the ground.

Width (W) Between the two inner side edges of the door frame.

Face fitted or underside (soffit) fitted?

PVC strips can easily be trimmed with a basic craft-knife to match a precise length when hung.

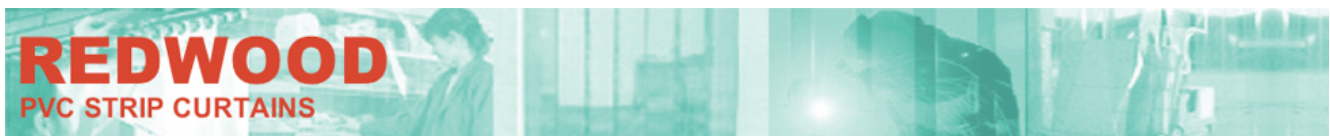
However, so that we can provide the strips with the minimal amount of trimming needing to be done, it would help to know the following.

When ordering please specify:

(i) if your rails will be face fitted - above the opening

OR

(ii) if your rails will be underside (soffit) fitted - within the opening



Unit 21, Southfield Road Trading Estate, Nailsea, Bristol. BS48 1JE

Tel: 01275 810289 **Fax:** 01275 810290 **Email:** sales@redwoodstripcurtains.co.uk